



AM SINGLE LEG

Installation/Operation/Warranty Guide

Effective October 2010

EQ005R8



(800) 846-9659
EQSystems.us

AM SERIES

Single Leg Hydraulic Jack: 12,000 lb.Capacity

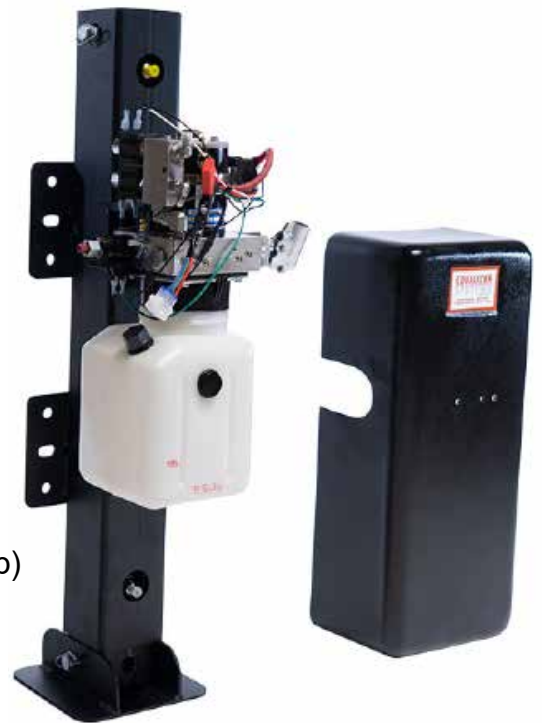
INSTALLATION

Tools Required for Installation

- Ratchet, sockets and wrench set
- Wire cutters/crimpers
- Electric drill and bits
- Screw gun bit
- Welding equipment (if welding leg in place)

Additional Parts Needed for Installation

- # 4 gauge power wire (to connect battery +12V to the pump)
- # 4 gauge ground wire (to connect battery – 12V ground to pump)
- # 4 gauge ring terminals
- Loom clips (to secure switch and harness to the trailer)
- Self tapping screws or pop rivets (to secure loom clips)
- Wire ties



JACK MOUNTING

The AM style jack is available in “bolt on” or “weld on” configurations (depending on the mounting option ordered for the system). Mounting provisions must be designed with adequate strength to sustain trailer weight and jack lifting capacity. If bolting the jack in place, ensure the use of appropriate size and quantity of mounting hardware. The use of Grade 8 bolts is recommended. Welding the jack in place requires sound welding practices.

The jack should be mounted so that when the trailer is level (while mounted to the tow vehicle) there is a minimum of 10 inches of ground clearance. This is usually achieved by mounting the jack so that the foot is slightly below the bottom edge of trailer. The bottom of the foot pad should not be lower than any other item mounted on the trailer.

SWITCH HARNESS AND HYDRAULIC LINES

The AM jack has been shipped with all necessary switchgear, harnesses and hydraulic lines. These items are specifically engineered to operate your system and should not be altered in any manner. Modification of any factory-supplied item may result in the denial of all warranty claims.

SWITCHGEAR

The unit may have been provided with a key switch in the switchgear box (depending on the option ordered). If unit is not supplied with a key switch, the +12v battery lead must be fed through a power disconnect switch to fully isolate the system during travel or inactivity. Minimum switch rating must be 80 ampere DC. Switchgear is plugged into the system harness through a weather resistant connector (shown in Fig.1)



Fig.1- Weather Resistant Connector

BATTERY CONNECTIONS

Pumps #'s 2142, 2390, 2532, 3126, 3170:

Battery Lead (+12volts): Attach a # 4 gauge (minimum) wire between the positive +12 volt terminal on the battery and the plus (+) terminal on the motor contactor; shown in Fig 2. There is a small red wire on this terminal.

If circuit protection is required, install an 80 amp (minimum) circuit breaker.

Battery/Pump Ground (-12volts): Attach a #4 gauge (minimum) wire between the negative -12 volt terminal on the battery and the negative terminal on the contactor.

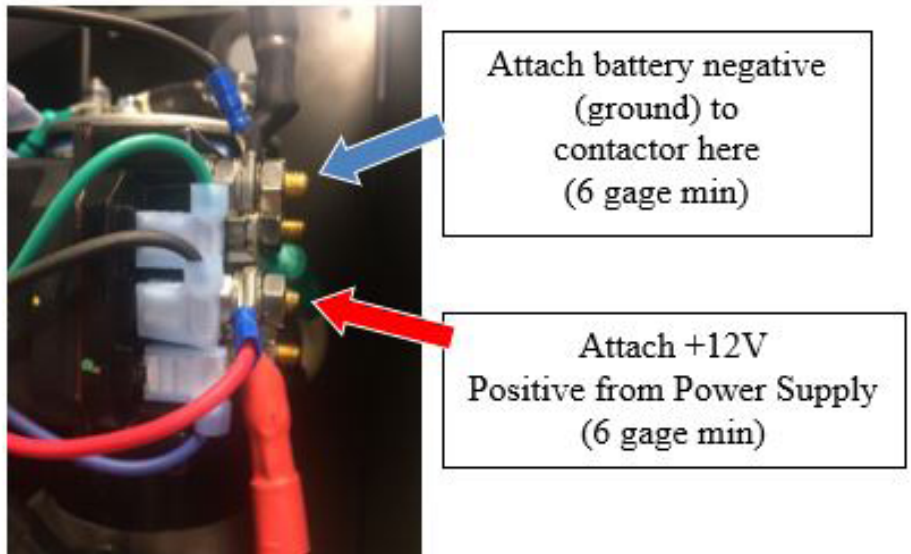
It is not acceptable to allow the weld to be the sole grounding connection.

Note: Do not make any connections to the motor terminals.

Pump #'s 3040, 3041, 3200, 3201 and 3201KS see Fig. 2

Attach a minimum # 6 gauge wire between the positive (+12V) terminal on the battery and the plus (+) terminal on the contactor. Attach a minimum #6 Gauge wire between battery negative (-) and the negative terminal on the contactor. Note: These units will not ground thru the mounting. The described ground/negative battery to contactor connection must be made.

**Fig. # 2: Pictured
Pump #'s, 3040, 3041,
3200, 3201 and 3201KS**



RESERVOIR BREATHER CAP FOR PUMP ON UNITS THAT ARE SHIPPED ASSEMBLED AND FILLED WITH FLUID

With the jack installed in the vertical position, remove the flush mounted fill plug from the top of the reservoir and discard. Replace with breather cap. Failure to do so will cause the jack to operate erratically.

Fluid Level: When the jack is fully retracted, the fluid level in the reservoir should be approximately one inch below the fill cap. If fluid needs to be added, use Dexron III automatic transmission fluid (the same as used for a GM automobile).

OPERATION

To raise and lower the jack, simply push and hold the rocker switch in the up or down position. The jack will hold a position by releasing the switch at any time. There is no need to take the weight off the jack when storing the trailer, as the positive check valves in the system will not allow the jack to bleed down.

***Note:** When the jack is fully retracted, the fluid level in the reservoir should be approximately one inch below the fill cap. If fluid needs to be added, use Dexron III automatic transmission fluid (the same as used for a GM automobile).

* CAUTION *

The keyed switch must be in the off position and the key must be removed when the jack is not in use and/or when the trailer is in transit. If unit is not supplied with a keyed switch, the +12v battery lead must be fed through a power disconnect switch to fully isolate the system during inactivity or travel. The minimum switch rating must be 100 ampere DC.

With any hydraulic application, holding any position on a cylinder must be done with safety in mind. Failure in the system may cause the jack to retract or extend on its own. When working under or near the trailer, always use jack stand of appropriate rating to support the weight of the trailer.

MANUAL OVERRIDE – HAND PUMP - PUMP # 2142 & 3126, 3170

The following procedure gives step-by-step instructions on how to operate the manual override to either extend or retract the jacks.

Your AM series Single Leg Jack is available with a Manual Override, depending on the specific unit ordered. **If your unit is equipped with the Override Hand Pump, it is operated as follows:**

To **Extend** your Jack:

1. Install a handle in the hand pump. Pump the handle to extend the jack. You may have to pump 10-20 times before you build enough pressure and the jack begins to extend.

To **Retract** your Jack:

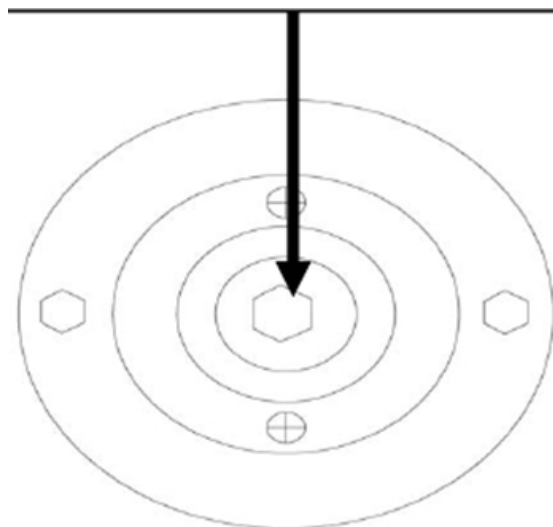
1. Locate the red knurled knob on the directional valve. Pull it out and turn $\frac{1}{4}$ turn. The knob will remain in the “out” position. Do not use anything other than your fingers to manually shift the directional valve.
2. Install a handle in the hand pump. Pump the handle to retract the jack. You may have to pump 10-20 times before you build enough pressure and the jack begins to retract. Return the directional valve to the normal position.

Caution: Following manual override operation, failure to return all valves to normal position may result in one or more jacks drifting down from their retracted (stowed) position. For directional valves, rotate the red knob until it “snaps” back to the normal position.

MANUAL OVERRIDE – OUTPUT SHAFT

If your unit is not equipped with the override hand pump, it is operated as follows:
Pump #'s 2390, 2532, 3040, 3041,3043, 3200, 3201, 3201KS

1/4 “ (6mm) Allen Drive Hex Key or 7/16 “ (11mm) Hex Head Socket



Your hydraulic motor is equipped with a manual override output shaft. The drill must be capable of producing a minimum of 2000 rpm for the pump to develop appropriate pressure output.

To Retract your Jack: Uni-Rotational Pump # 2142, 3126, 3170

1. Locate the red knurled knob on the directional valve; this valve will be on the side of the manifold. Pull the red knob out and turn 1/4 turn. The knob will remain in the “Out” position. Do not use anything other than your fingers to manually shift the directional valve.
2. Remove the black plastic cap / silver seal from the top of the motor. Place the drill with the proper size hex bit on the manual override shaft located at the top of the motor. Run drill in a clockwise direction at 2000 rpm (minimum). The jack (s) will retract.
3. When retraction is complete, return the directional valve to the normal position. Reinstall black plastic cap / silver seal on motor end.

Caution: Following manual override operation, failure to return all valves to normal position may result in one or more jacks drifting down from their retracted (stowed) position. For directional valves, rotate the red knob until it “snaps” back to the normal position.

Note: The normal operating position of the red knob on the directional valve is the “in” position. The **only** time the valve should be shifted manually is when attempting to operate jack via manual override.

To Extend Your Jack:

1. To extend the jack, follow all of the above steps Except Do Not manually shift the directional valve as described in step #3 above.

To Retract your Jack: Bi Rotational Pump #'s 2390, 2532, 2542, 3040, 3041, 3043, 3200, 3201 & 3201KS

1. Remove the black plastic cap / silver seal (foil) from the end of the motor.
2. Insert drill (capable of minimum 2000rpm) and hex key, 1/4 “ (6mm) Allen drive hex key or 7/16 “ (11mm) Hex head socket into motor. Rotate counter-clockwise.

To Extend your Jack:

1. Operate the drill in clockwise rotation.

PROBLEM SOLVING

“The jack runs for a few seconds, then stops” The battery is weak or battery capacity is diminished. Charge the battery fully. It may be necessary to “load test” the battery.

“The jack only runs in one direction” Verify appropriate battery voltage. Verify that all wires are attached appropriately. The jack may only run in the extend direction if the battery does not have enough capacity to operate the motor and shift the directional valve.

“I push the switch and nothing happens” Ensure both positive and negative -12V have adequate connection. Ensure full charge on your battery. The vast majority of calls to the EQ Systems Help Desk are related to low battery voltage. Ensure that the unit is properly grounded to the battery with a minimum # 6-gauge wire. Check all associated wiring.

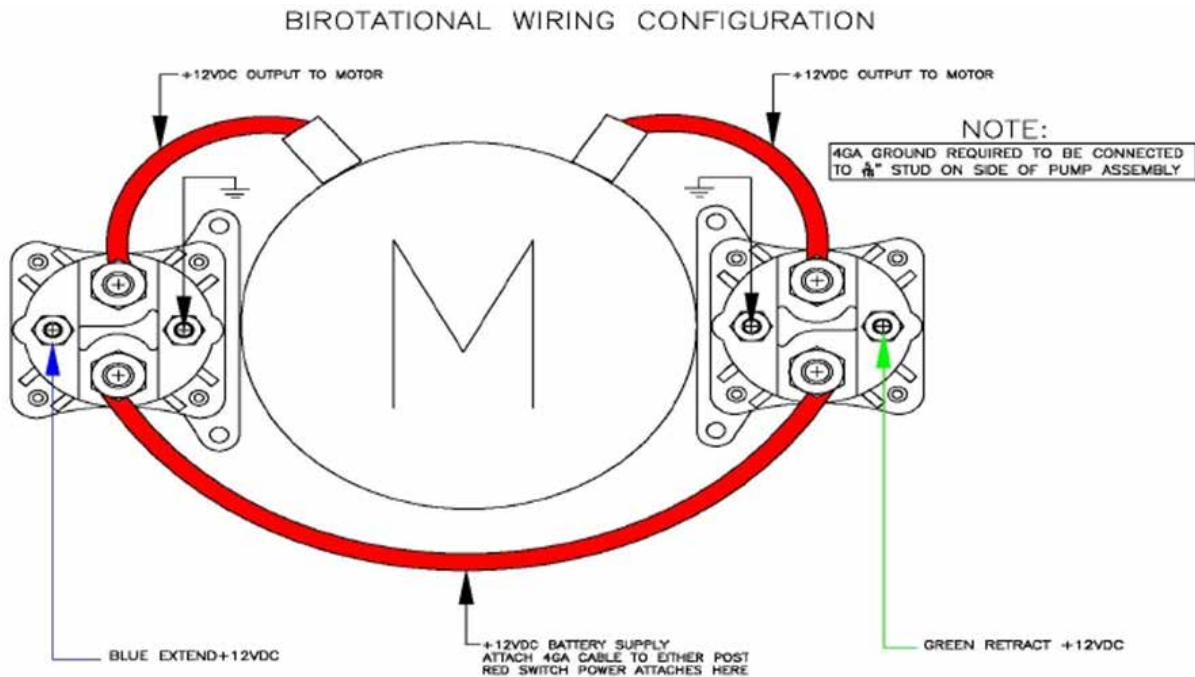
“The jack is jerky when retracting” This may be caused by air in the system, low fluid level, or incorrect hose installation. To purge jack, add fluid as necessary and run the jack to full extension and retraction at least twice. If problem persists, call EQ Systems for assistance.

Fluid Level: When the jack is fully retracted, the fluid level in the reservoir should be approximately one inch below the fill cap. If fluid needs to be added, use Dexron III automatic transmission fluid (the same as used for a GM automobile).

**If your problem is not listed or persists, call EQ Systems at 1-800-846-9659.
Please Gain Prior Authorization for Warranty Service or Repair.**

ASSEMBLY WIRING, PUMP #'S 2390, 2532

Solenoid Wiring Bi-Rot Pump #'s 2390, 2532, 2542



Wiring for Pump # 3040, 3041, 3200, 3201 and 3201KS

