



EQ SMART-LEVEL
NEWMAR SYSTEM BOOK
2012-2023

TABLE OF CONTENTS

2012	Bay Star Sport and Bay Star	7
2013	Bay Start Sport and Bay Star	8
2013	Canyon Star	9
2014	Bay Star Sport and Bay Star	10
2014	Canyon Star	11
2014	Ventana LE-206" Wheel Base	12
2014	Ventana LE-228" Wheel Base	12
2014	Ventana LE-252" Wheel Base	13
2015	Bay Star Sport and Bay Star	14
2015	Canyon Star	15
2015	Ventana LE-206" Wheel Base	16
2015	Ventana LE-228" Wheel Base	16
2015	Ventana LE-252" Wheel Base	17
2016	Bay Star Sport and Bay Star	18
2016	Canyon Star	19
2016	Ventana LE-206" Wheel Base	20
2016	Ventana LE-240" Wheel Base	21
2016	Ventana LE-276" Wheel Base	22
2017	Bay Star Sport and Bay Star	23
2017	Canyon Star	24
2017	Ventana LE-206" Wheel Base	25
2017	Ventana LE-242" Wheel Base	26

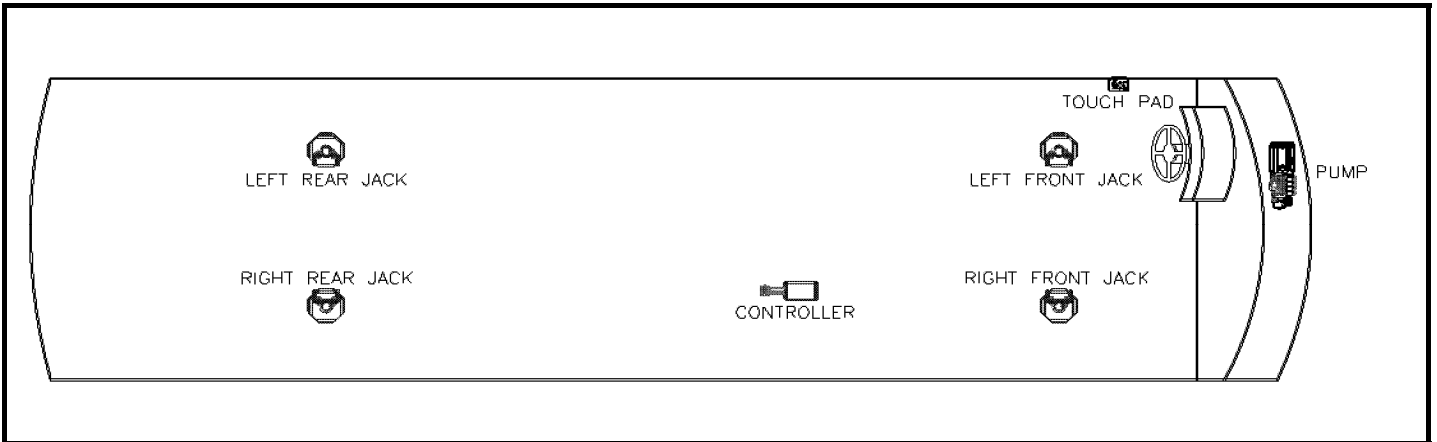
2017	Ventana LE-276" Wheel Base	27
2017	Ventana-206" Wheel Base	28
2017	Ventana-242" Wheel Base & 245" + Tag	29
2017	Ventana-281" Wheelbase + Tag	30
2018	Bay Star Sport and Bay Star	31
2018	Canyon Star	32
2018	Ventana LE-206" Wheel Base	33
2018	Ventana LE-242" Wheel Base	34
2018	Ventana LE-276" Wheel Base	35
2018	Ventana-206" Wheel Base	36
2018	Ventana-242" Wheel Base & 245" + Tag	37
2018	Ventana-281" Wheelbase + Tag	38
2019	Bay Star Sport and Bay Star	39
2019	Canyon Star	40
2019	Ventana LE-206" Wheel Base	41
2019	Ventana LE-242" Wheel Base	42
2019	Ventana LE-276" Wheel Base	43
2019	Ventana-206" Wheel Base	44
2019	Ventana-242" Wheel Base & 245" + Tag (FCCC)	45
2019	Ventana-242" Wheel Base & 245" + Tag (SPARTAN)	46
2019	Ventana-281" Wheelbase + Tag (FCCC)	47
2019	Ventana-281" Wheelbase + Tag (SPARTAN)	48
2020	Bay Star Sport and Bay Star	49
2020	Canyon Star	50

2020	Kountry Star-206" Wheel Base	51
2020	Kountry Star-242" Wheel Base	52
2020	Kountry Star-276" Wheel Base	53
2020	Ventana-206" Wheel Base	54
2020	Ventana-242" Wheel Base & 245" + Tag (FCCC)	55
2020	Ventana-242" Wheel Base & 245" + Tag (SPARTAN)	56
2020	Ventana-281" Wheelbase + Tag (FCCC)	57
2020	Ventana-281" Wheelbase + Tag (SPARTAN)	58
2021	Bay Star Sport and Bay Star	59
2021	Canyon Star	60
2021	Kountry Star-206" Wheel Base	61
2021	Kountry Star-242" Wheel Base	62
2021	Kountry Star-276" Wheel Base	63
2021	Ventana-206" Wheel Base (FCCC)	64
2021	Ventana-206" Wheel Base (SPARTAN)	65
2021	Ventana-242" Wheel Base & 245" + Tag (FCCC)	66
2021	Ventana-242" Wheel Base (SPARTAN)	67
2021	Ventana-245" Wheelbase + Tag (SPARTAN)	68
2021	Ventana-281" Wheelbase + Tag (FCCC)	69
2021	Ventana-281" Wheelbase + Tag (SPARTAN)	70
2022	Bay Star Sport and Bay Star	71
2022	Canyon Star	72
2022	Kountry Star-206" Wheel Base	73

2022	Kountry Star-242" Wheel Base	74
2022	Kountry Star-276" Wheel Base	75
2022	Ventana-206" Wheel Base (FCCC)	76
2022	Ventana-206" Wheel Base (SPARTAN)	77
2022	Ventana-242" Wheel Base & 245" + Tag (FCCC)	78
2022	Ventana-242" Wheel Base (SPARTAN)	79
2022	Ventana-245" Wheelbase + Tag (SPARTAN)	80
2022	Ventana-281" Wheelbase + Tag (FCCC)	81
2022	Ventana-281" Wheelbase + Tag (SPARTAN)	82
2023	Bay Star Sport and Bay Star	83
2023	Canyon Star	84
2023	Kountry Star-206" Wheel Base	85
2023	Kountry Star-242" Wheel Base	86
2023	Kountry Star-276" Wheel Base	87
2023	Ventana-206" Wheel Base (FCCC)	88
2023	Ventana-206" Wheel Base (SPARTAN)	89
2023	Ventana-242" Wheel Base & 245" + Tag (FCCC)	90
2023	Ventana-242" Wheel Base (SPARTAN)	91
2023	Ventana-245" Wheelbase + Tag (SPARTAN)	92
2023	Ventana-281" Wheelbase + Tag (FCCC)	93
2023	Ventana-281" Wheelbase + Tag (SPARTAN)	94
Pump Drawings	(7770, 7770KS, 7837, 7837KS, 7948KS)	95-118
Jack Drawings	(7214, 7636, 7835, 7835A, 7850, 7850A, 7851, 7851A, 7852, 7852A, 7965, 7965A, 70119, 70266)	119-160

Hose Kits	(7762, 7791, 7838, 7839, 7964, 70264)	161-172
Electrical Schematics	(8282-A/8612, 8582B-C/8612A-B, 8582D/8612C, 8282/8311/8642/8643/8749, 8244A/8245A/8282A/8311A/8642A/8643A/8749A, 8582F/8612E, 8846, 8244B/8245B/8282B/8311B/8642B/8543B/8749B)	173-180
Purging Instructions		181-182

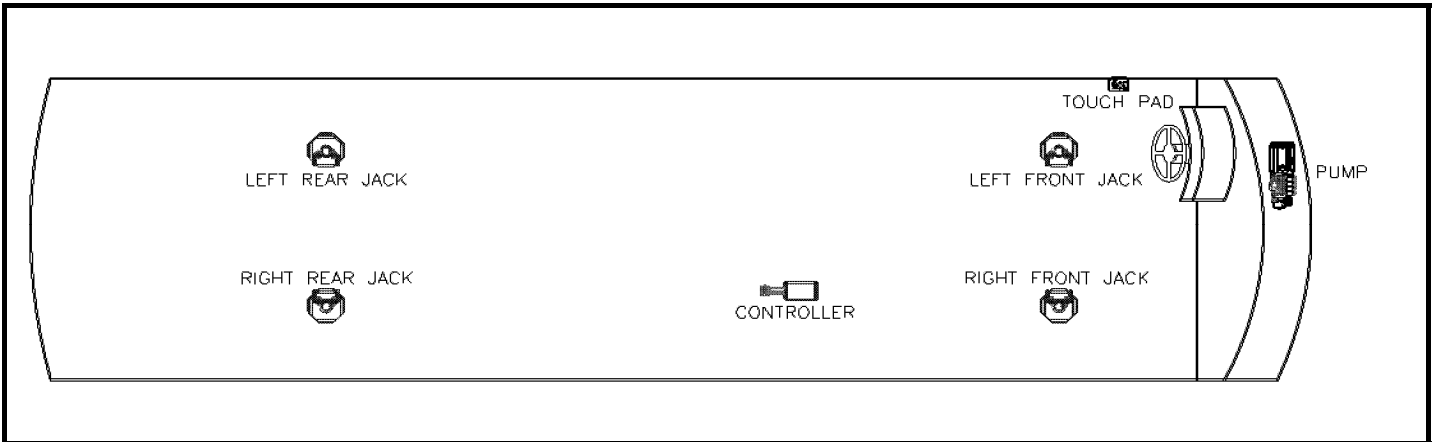
**MY2013 BAY STAR SPORT 2702, 2901, 3209, 3310-OPTIONAL ON ALL FLOOR PLANS LISTED
 MY2013 BAY STAR 2901, 3002, 3012, 3209, 3302, 3305-STANDARD ON ALL BAY STAR FLOOR PLANS LISTED**



Notes:

Item, Length	Description / Location	Qty	Color	Equalizer Part No.
Kit	(Items listed below)	1		8582A
Pump	4-Function, Jacks	1		7770
Jack	7,500 lbs, 15" Stroke	4		7636
Touch Pad	Located to the left of the drivers seat	1		3103
AL Controller	Attached to bottom of structure	1		3055
Harness	Connects Pump, Controller, & Touch Pad	1		6918
Hose Kit	Complete Set of Hoses	1		7762
Hose, 6'	Pump to Jack, Left Front Top	1	Brown Solid	2461
Hose, 8'	Pump to Jack, Left Front Bottom	1	Brown Stripe	2463
Hose, 8'	Pump to Jack, Right Front Top	1	White Solid	2463
Hose, 8'	LR Jack Bottom to RR Jack Bottom	1	Orange/Yellow Stripe	2463
Hose, 10'	LF Jack Bottom to RF Jack Bottom	1	Brown/White Stripe	2465
Hose, 30'	Pump to Jack, Left Rear Top	1	Orange Solid	2527
Hose, 30'	Pump to Jack, Right Rear Top	1	Yellow Solid	2527
Hose, 32'	Pump to Jack, Right Rear Bottom	1	Yellow Stripe	2482
Options				
Revisions				

**MY2013 CANYON STAR 3313, 3515, 3610, 3810, 3856, 3911, 3920, 3940, 3953
STANDARD ON ALL FLOOR PLANS LISTED**



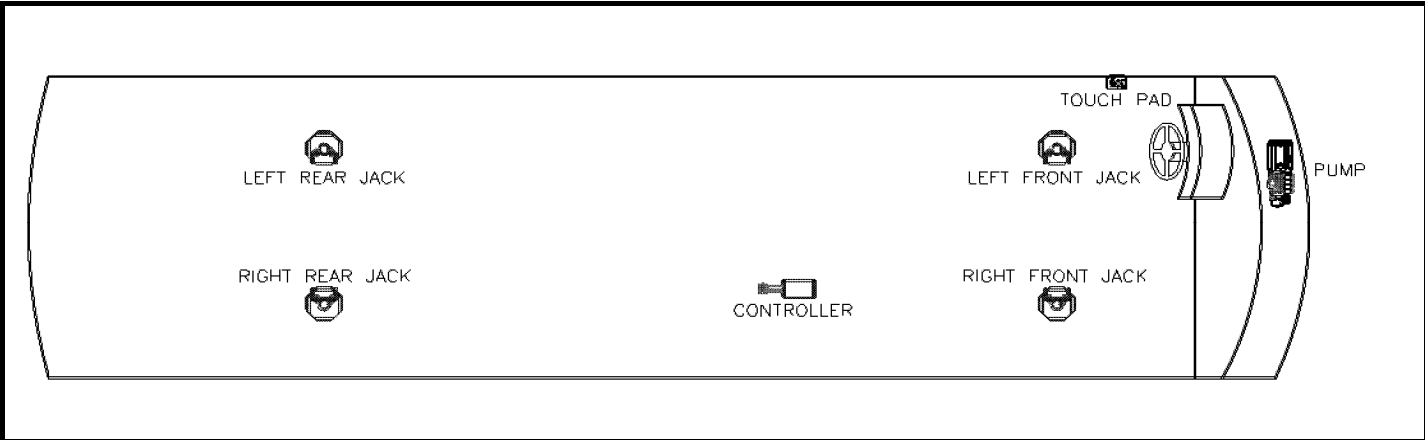
Notes:

Item, Length	Description / Location	Qty	Color	Equalizer Part No.
Kit	(Items listed below)	1		8612
Pump	4-Function, Jacks	1		7770
Jack	7,500 lbs, 15" Stroke (Front Jacks)	2		7636
Jack	12,000 lbs, 16" Stroke (Rear Jacks)	2		7214
Touch Pad	Located to the left of the drivers seat	1		3103
AL Controller	Attached to bottom of structure	1		3055
Harness	Connects Pump, Controller, & Touch Pad	1		6918
Hose Kit	Complete Set of Hoses	1		7791
Hose, 6'	Pump to Jack, Left Front Top	1	Brown Solid	2461
Hose, 8'	Pump to Jack, Left Front Bottom	1	Brown Stripe	2463
Hose, 8'	Pump to Jack, Right Front Top	1	White Solid	2463
Hose, 8'	LR Jack Bottom to RR Jack Bottom	1	Orange/Yellow Stripe	2463
Hose, 10'	LF Jack Bottom to RF Jack Bottom	1	Brown/White Stripe	2465
Hose, 36'	Pump to Jack, Left Rear Top	1	Orange Solid	2486
Hose, 36'	Pump to Jack, Right Rear Top	1	Yellow Solid	2486
Hose, 38'	Pump to Jack, Right Rear Bottom	1	Yellow Stripe	2488

Options

Revisions

**MY2014 BAY STAR SPORT 2702, 2903, 3220, 3306-OPTIONAL ON ALL FLOOR PLANS LISTED
 MY2014 BAY STAR 2903, 3103, 3124, 3215, 3308, 3309-STANDARD ON ALL BAY STAR FLOOR PLANS LISTED**



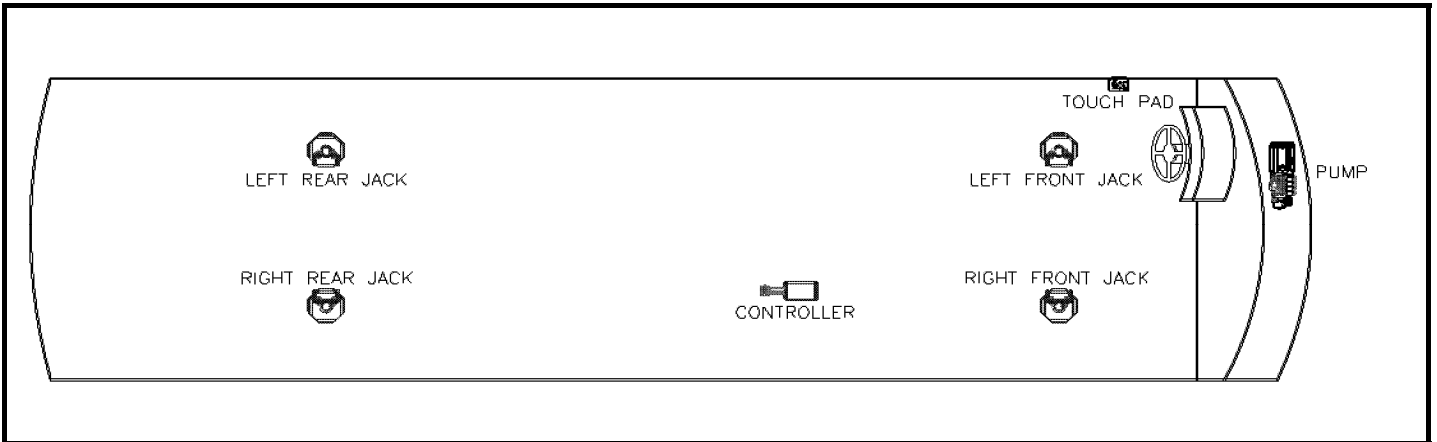
Notes:
 For model year 2014, Equalizer will begin sending jacks to Newmar already assembled on the brackets.
 To order a replacement jack assembly use 7636

Item, Length	Description / Location	Qty	Color	Equalizer Part No.
Kit	(Items listed below)	1		8582B
Pump	4-Function, Jacks	1		7770
Jack	7,500 lbs, 15" Stroke/Front Jacks	2		7850
Jack	7,500 lbs, 15" Stroke/Rear Jacks	2		7851
Touch Pad	Located to the left of the drivers seat	1		3103
AL Controller	Attached to bottom of structure	1		3149
Harness	Connects Pump, Controller, & Touch Pad	1		6918
Hose Kit	Complete Set of Hoses	1		7762
Hose, 6'	Pump to Jack, Left Front Top	1	Brown Solid	2461
Hose, 8'	Pump to Jack, Left Front Bottom	1	Brown Stripe	2463
Hose, 8'	Pump to Jack, Right Front Top	1	White Solid	2463
Hose, 8'	LR Jack Bottom to RR Jack Bottom	1	Orange/Yellow Stripe	2463
Hose, 10'	LF Jack Bottom to RF Jack Bottom	1	Brown/White Stripe	2465
Hose, 30'	Pump to Jack, Left Rear Top	1	Orange Solid	2527
Hose, 30'	Pump to Jack, Right Rear Top	1	Yellow Solid	2527
Hose, 32'	Pump to Jack, Right Rear Bottom	1	Yellow Stripe	2482

Options				

Revisions				

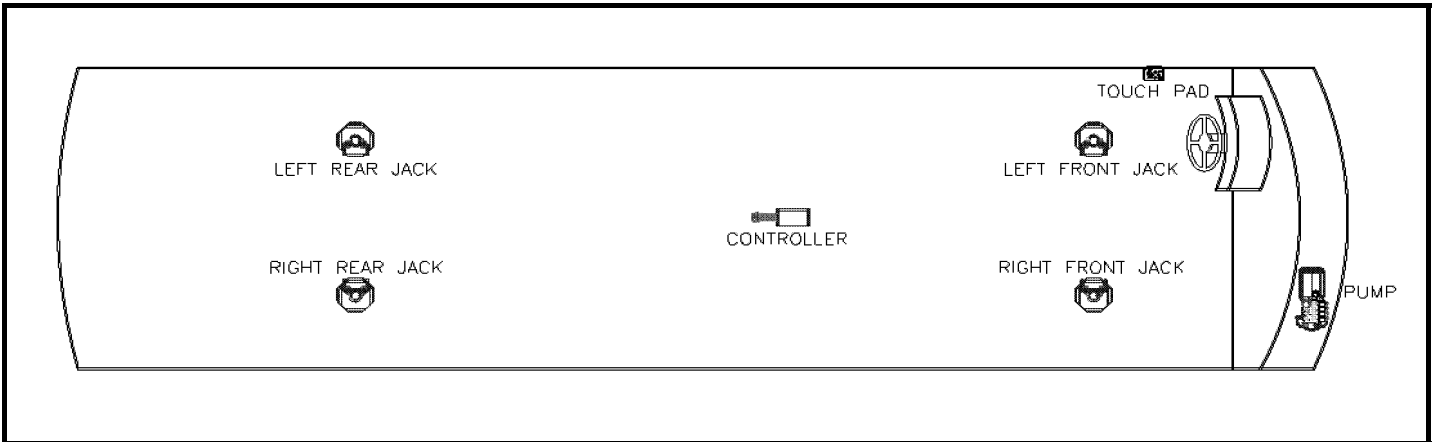
**MY2014 CANYON STAR 3424, 3610, 3630, 3650, 3910, 3911, 3920, 3921, 3940, 3953, 3956
STANDARD ON ALL FLOOR PLANS LISTED**



Notes:
 For model year 2014, Equalizer will begin sending jacks to Newmar already assembled on the brackets.
 To order a replacement jack assembly use 7636 for the front jacks and 7214 for the rear jacks.

Item, Length	Description / Location	Qty	Color	Equalizer Part No.
Kit	(Items listed below)	1		8612A
Pump	4-Function, Jacks	1		7770
Jack	7,500 lbs, 15" Stroke/Front Jacks	2		7850
Jack	12,000 lbs, 16" Stroke/Rear Jacks	2		7852
Touch Pad	Located to the left of the drivers seat	1		3103
AL Controller	Attached to bottom of structure	1		3149
Harness	Connects Pump, Controller, & Touch Pad	1		6918
Hose Kit	Complete Set of Hoses	1		7791
Hose, 6'	Pump to Jack, Left Front Top	1	Brown Solid	2461
Hose, 8'	Pump to Jack, Left Front Bottom	1	Brown Stripe	2463
Hose, 8'	Pump to Jack, Right Front Top	1	White Solid	2463
Hose, 8'	LR Jack Bottom to RR Jack Bottom	1	Orange/Yellow Stripe	2463
Hose, 10'	LF Jack Bottom to RF Jack Bottom	1	Brown/White Stripe	2465
Hose, 36'	Pump to Jack, Left Rear Top	1	Orange Solid	2486
Hose, 36'	Pump to Jack, Right Rear Top	1	Yellow Solid	2486
Hose, 38'	Pump to Jack, Right Rear Bottom	1	Yellow Stripe	2488
Options				
Revisions				

**MY2014 VENTANA LE 3433, 3436
STANDARD ON ALL FLOOR PLANS LISTED**



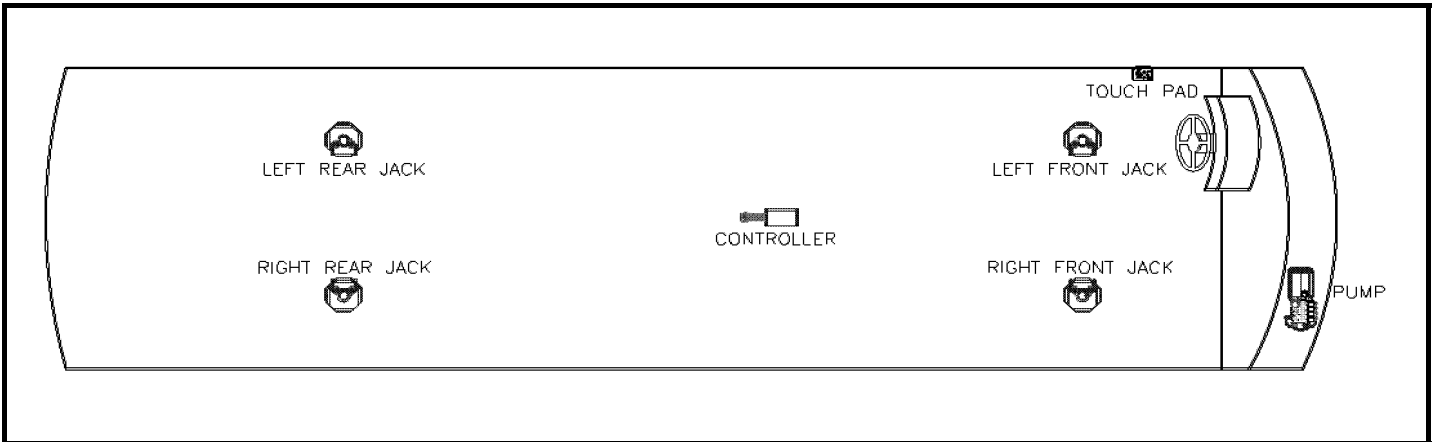
Notes:
Jack assembly in list includes mount plate and hardware. To order a replacement jack assembly, use part number 7214.

Item, Length	Description / Location	Qty	Color	Equalizer Part No.
Kit	(Items listed below)	1		8642
Pump	4-Function, Jacks	1		7837
Jack	12,000 lbs, 16" Stroke	4		7835
Touch Pad	Located to the left of the drivers seat	1		3103
AL Controller	Attached to bottom of structure	1		3149
Harness	Connects Pump, Controller, & Touch Pad	1		6940
Hose Kit	Complete Set of Hoses	1		7839
Hose, 10'	LR Jack Bottom to RR Jack Bottom	1	Orange/Yellow Stripe	2465
Hose, 10'	LF Jack Bottom to RF Jack Bottom	1	Brown/White Stripe	2465
Hose, 12'	Pump to Jack, Left Front Top	1	Brown Solid	2467
Hose, 12'	Pump to Jack, Right Front Top	1	White Solid	2467
Hose, 14'	Pump to Jack, Right Front Bottom	1	White Stripe	2469
Hose, 30'	Pump to Jack, Left Rear Top	1	Orange Solid	2527
Hose, 30'	Pump to Jack, Right Rear Top	1	Yellow Solid	2527
Hose, 32'	Pump to Jack, Right Rear Bottom	1	Yellow Stripe	2482

Options				

Revisions				

**MY2014 VENTANA LE 3634, 3845, 3847, 3849, 3850
STANDARD ON ALL FLOOR PLANS LISTED**



Notes:

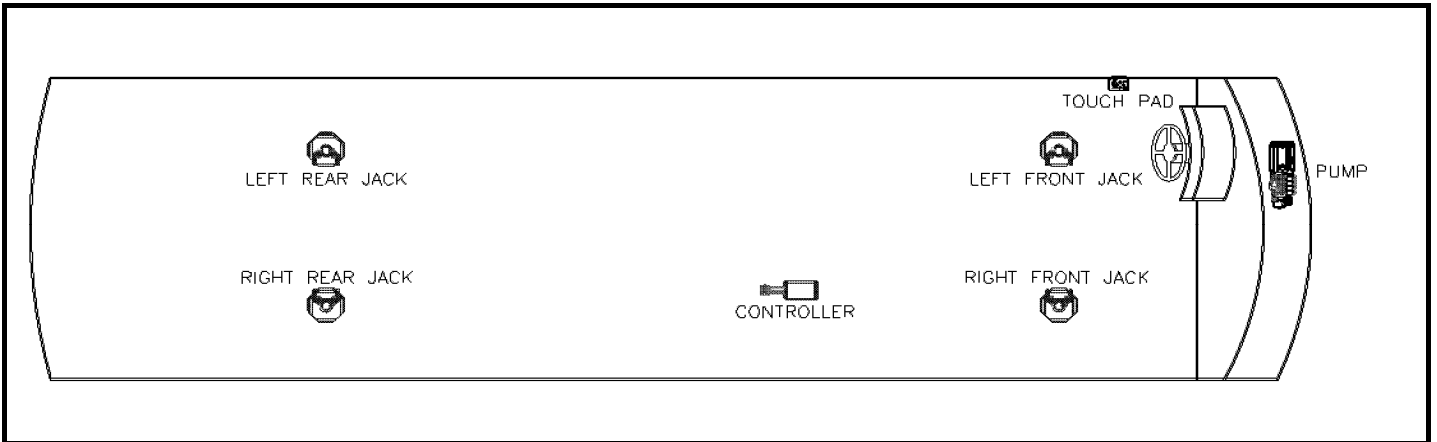
Jack assembly in list includes mount plate and hardware. To order a replacement jack assembly, use part number 7214.

Item, Length	Description / Location	Qty	Color	Equalizer Part No.
Kit	(Items listed below)	1		8643
Pump	4-Function, Jacks	1		7837
Jack	12,000 lbs, 16" Stroke	4		7835
Touch Pad	Located to the left of the drivers seat	1		3103
AL Controller	Attached to bottom of structure	1		3149
Harness	Connects Pump, Controller, & Touch Pad	1		6940
Hose Kit	Complete Set of Hoses	1		7838
Hose, 10'	LR Jack Bottom to RR Jack Bottom	1	Orange/Yellow Stripe	2465
Hose, 10'	LF Jack Bottom to RF Jack Bottom	1	Brown/White Stripe	2465
Hose, 12'	Pump to Jack, Left Front Top	1	Brown Solid	2467
Hose, 12'	Pump to Jack, Right Front Top	1	White Solid	2467
Hose, 14'	Pump to Jack, Right Front Bottom	1	White Stripe	2469
Hose, 34'	Pump to Jack, Left Rear Top	1	Orange Solid	2484
Hose, 34'	Pump to Jack, Right Rear Top	1	Yellow Solid	2484
Hose, 36'	Pump to Jack, Right Rear Bottom	1	Yellow Stripe	2486

Options

Revisions

**MY2015 BAY STAR SPORT 2622, 2702, 2707, 2903, 3022, 3220, 3306, 3309-OPTIONAL ON ALL FLOOR PLANS LISTED
 MY2015 BAY STAR 2903, 3103, 3124, 3215, 3308, 3401, 3402-STANDARD ON ALL BAY STAR FLOOR PLANS LISTED**



Notes:

For model year 2014, Equalizer will begin sending jacks to Newmar already assembled on the brackets.

To order a replacement jack assembly use 7636

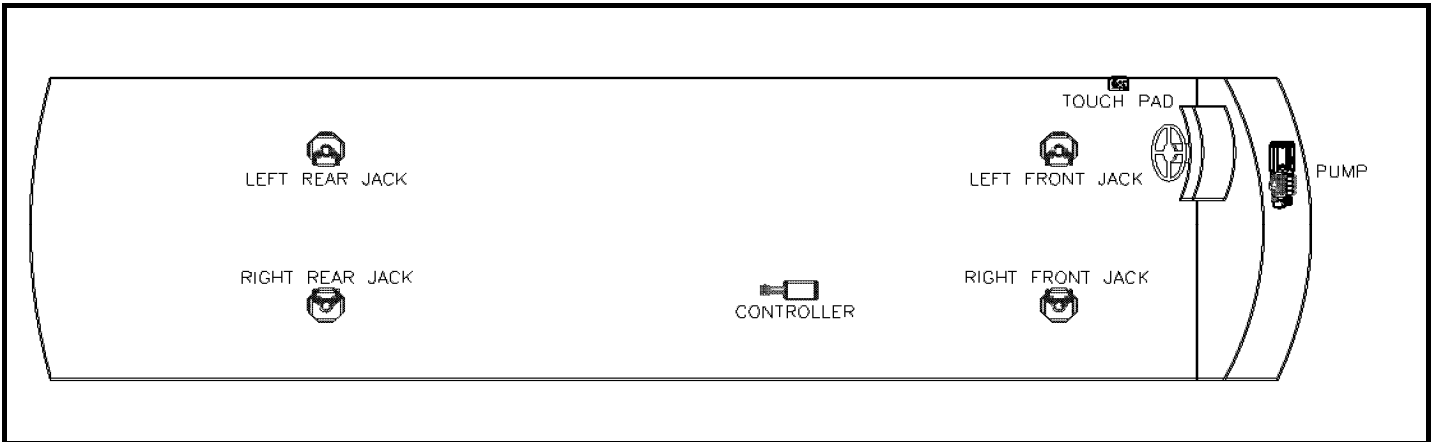
In October of 2014 the system number changed from 8582B to 8582C

Item, Length	Description / Location	Qty	Color	Equalizer Part No.
Kit	(Items listed below)	1		8582B/8582C
Pump	4-Function, Jacks	1		7770
Jack	7,500 lbs, 15" Stroke/Front Jacks	2		7850
Jack	7,500 lbs, 15" Stroke/Rear Jacks	2		7851
Touch Pad	Located to the left of the drivers seat	1		3103
AL Controller	Attached to bottom of structure	1		3149
Harness	Connects Pump, Controller, & Touch Pad	1		6918
Hose Kit	Complete Set of Hoses	1		7762
Hose, 6'	Pump to Jack, Left Front Top	1	Brown Solid	2461
Hose, 8'	Pump to Jack, Left Front Bottom	1	Brown Stripe	2463
Hose, 8'	Pump to Jack, Right Front Top	1	White Solid	2463
Hose, 8'	LR Jack Bottom to RR Jack Bottom	1	Orange/Yellow Stripe	2463
Hose, 10'	LF Jack Bottom to RF Jack Bottom	1	Brown/White Stripe	2465
Hose, 30'	Pump to Jack, Left Rear Top	1	Orange Solid	2527
Hose, 30'	Pump to Jack, Right Rear Top	1	Yellow Solid	2527
Hose, 32'	Pump to Jack, Right Rear Bottom	1	Yellow Stripe	2482

Options

Revisions

**MY2015 CANYON STAR 3424, 3610, 3612, 3650, 3911, 3913, 3919, 3920, 3921, 3941, 3953
STANDARD ON ALL FLOOR PLANS LISTED**

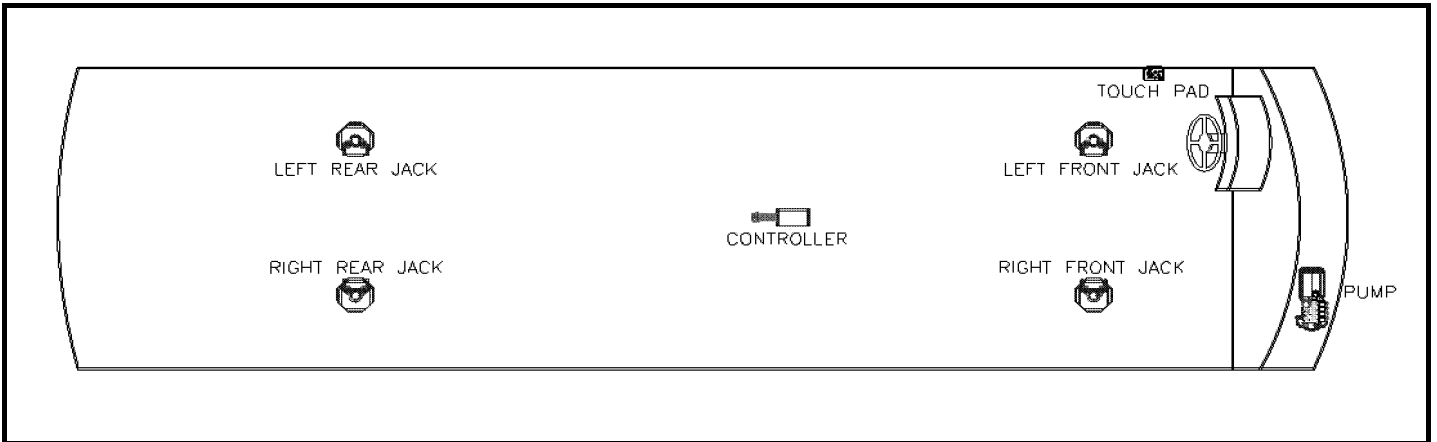


Notes:

For model year 2014, Equalizer will begin sending jacks to Newmar already assembled on the brackets.
 To order a replacement jack assembly use 7636 for the front jacks and 7214 for the rear jacks.
 In October of 2014 the system number changed from 8612A to 8612B

Item, Length	Description / Location	Qty	Color	Equalizer Part No.
Kit	(Items listed below)	1		8612A/8612B
Pump	4-Function, Jacks	1		7770
Jack	7,500 lbs, 15" Stroke/Front Jacks	2		7850
Jack	12,000 lbs, 16" Stroke/Rear Jacks	2		7852
Touch Pad	Located to the left of the drivers seat	1		3103
AL Controller	Attached to bottom of structure	1		3149
Harness	Connects Pump, Controller, & Touch Pad	1		6918
Hose Kit	Complete Set of Hoses	1		7791
Hose, 6'	Pump to Jack, Left Front Top	1	Brown Solid	2461
Hose, 8'	Pump to Jack, Left Front Bottom	1	Brown Stripe	2463
Hose, 8'	Pump to Jack, Right Front Top	1	White Solid	2463
Hose, 8'	LR Jack Bottom to RR Jack Bottom	1	Orange/Yellow Stripe	2463
Hose, 10'	LF Jack Bottom to RF Jack Bottom	1	Brown/White Stripe	2465
Hose, 36'	Pump to Jack, Left Rear Top	1	Orange Solid	2486
Hose, 36'	Pump to Jack, Right Rear Top	1	Yellow Solid	2486
Hose, 38'	Pump to Jack, Right Rear Bottom	1	Yellow Stripe	2488
Options				
Revisions				

**MY2015 VENTANA LE 3436 3437
STANDARD ON ALL FLOOR PLANS LISTED**



Notes:

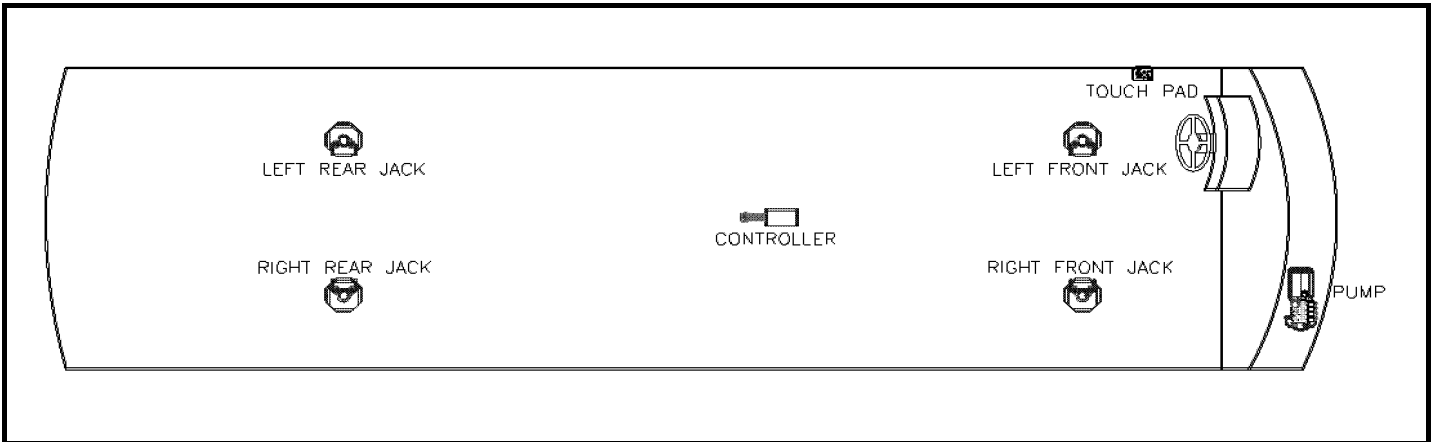
Jack assembly in list includes mount plate and hardware. To order a replacement jack assembly, use part number 7214.

Item, Length	Description / Location	Qty	Color	Equalizer Part No.
Kit	(Items listed below)	1		8642
Pump	4-Function, Jacks	1		7837
Jack	12,000 lbs, 16" Stroke	4		7835
Touch Pad	Located to the left of the drivers seat	1		3103
AL Controller	Attached to bottom of structure	1		3149
Harness	Connects Pump, Controller, & Touch Pad	1		6940
Hose Kit	Complete Set of Hoses	1		7839
Hose, 10'	LR Jack Bottom to RR Jack Bottom	1	Orange/Yellow Stripe	2465
Hose, 10'	LF Jack Bottom to RF Jack Bottom	1	Brown/White Stripe	2465
Hose, 12'	Pump to Jack, Left Front Top	1	Brown Solid	2467
Hose, 12'	Pump to Jack, Right Front Top	1	White Solid	2467
Hose, 14'	Pump to Jack, Right Front Bottom	1	White Stripe	2469
Hose, 30'	Pump to Jack, Left Rear Top	1	Orange Solid	2527
Hose, 30'	Pump to Jack, Right Rear Top	1	Yellow Solid	2527
Hose, 32'	Pump to Jack, Right Rear Bottom	1	Yellow Stripe	2482

Options

Revisions

**MY2015 VENTANA LE 3635, 3636, 3802, 3812, 3849, 3850
STANDARD ON ALL FLOOR PLANS LISTED**



Notes:

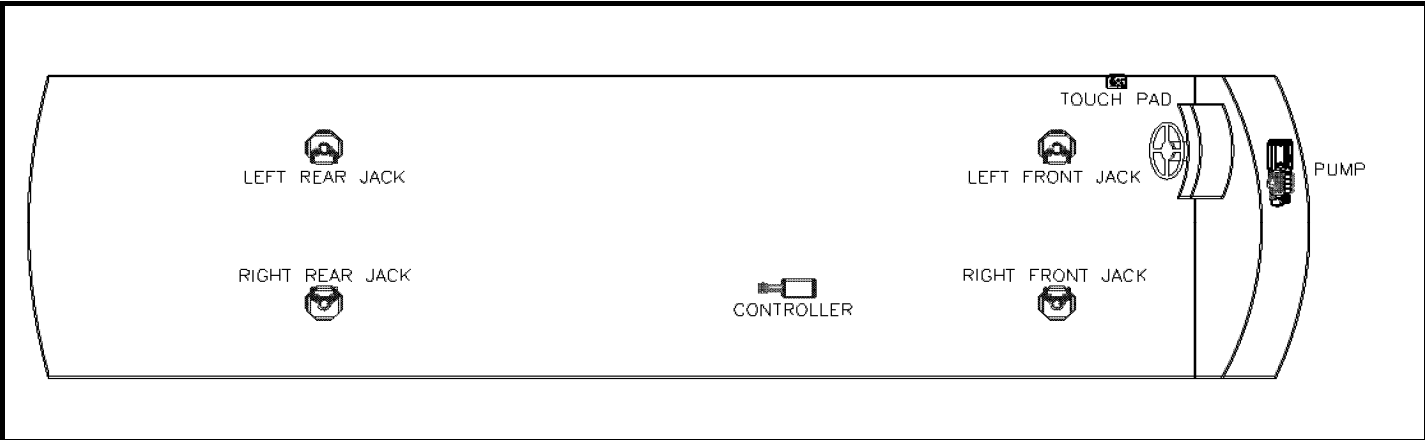
Jack assembly in list includes mount plate and hardware. To order a replacement jack assembly, use part number 7214.

Item, Length	Description / Location	Qty	Color	Equalizer Part No.
Kit	(Items listed below)	1		8643
Pump	4-Function, Jacks	1		7837
Jack	12,000 lbs, 16" Stroke	4		7835
Touch Pad	Located to the left of the drivers seat	1		3103
AL Controller	Attached to bottom of structure	1		3149
Harness	Connects Pump, Controller, & Touch Pad	1		6940
Hose Kit	Complete Set of Hoses	1		7838
Hose, 10'	LR Jack Bottom to RR Jack Bottom	1	Orange/Yellow Stripe	2465
Hose, 10'	LF Jack Bottom to RF Jack Bottom	1	Brown/White Stripe	2465
Hose, 12'	Pump to Jack, Left Front Top	1	Brown Solid	2467
Hose, 12'	Pump to Jack, Right Front Top	1	White Solid	2467
Hose, 14'	Pump to Jack, Right Front Bottom	1	White Stripe	2469
Hose, 34'	Pump to Jack, Left Rear Top	1	Orange Solid	2484
Hose, 34'	Pump to Jack, Right Rear Top	1	Yellow Solid	2484
Hose, 36'	Pump to Jack, Right Rear Bottom	1	Yellow Stripe	2486

Options

Revisions

**MY2016 BAY STAR SPORT OPTIONAL ON: 2622, 2702, 2705, 2903, 3004, 3022, 3227, 3306, 3404
 MY2016 BAY STAR STANDARD ON: 3004, 3124, 3227, 3401, 3402, 3403, 3404, 3518**



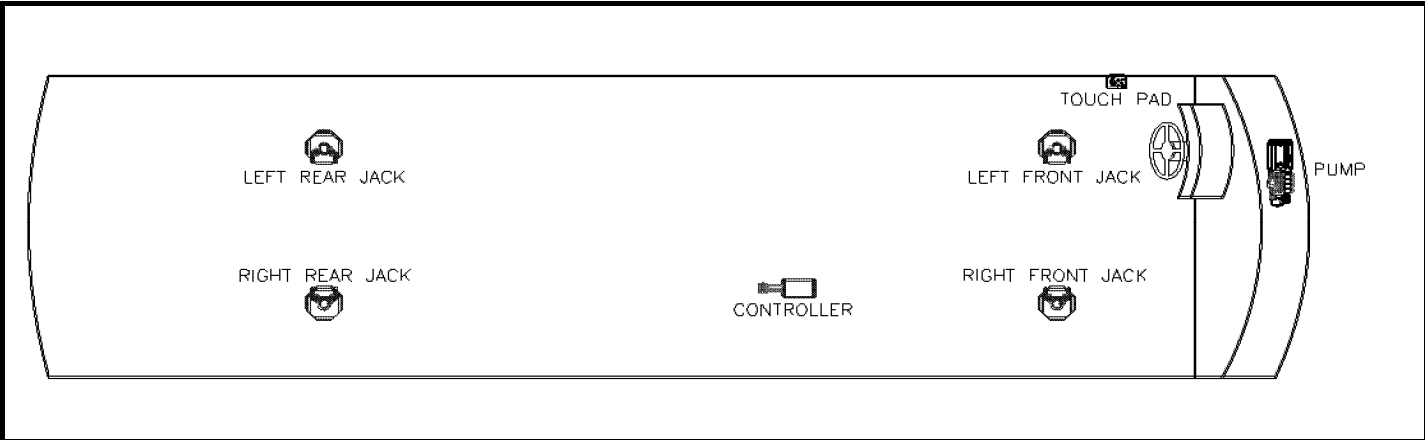
Notes:
 For model year 2014, Equalizer will begin sending jacks to Newmar already assembled on the brackets.
 To order a replacement jack assembly use 7636
 In October of 2014 the system number changed from 8582B to 8582C

Item, Length	Description / Location	Qty	Color	Equalizer Part No.
Kit	(Items listed below)	1		8582B/8582C
Pump	4-Function, Jacks	1		7770
Jack	7,500 lbs, 15" Stroke/Front Jacks	2		7850
Jack	7,500 lbs, 15" Stroke/Rear Jacks	2		7851
Touch Pad	Located to the left of the drivers seat	1		3103
AL Controller	Attached to bottom of structure	1		3149
Harness	Connects Pump, Controller, & Touch Pad	1		6918
Hose Kit	Complete Set of Hoses	1		7762
Hose, 6'	Pump to Jack, Left Front Top	1	Brown Solid	2461
Hose, 8'	Pump to Jack, Left Front Bottom	1	Brown Stripe	2463
Hose, 8'	Pump to Jack, Right Front Top	1	White Solid	2463
Hose, 8'	LR Jack Bottom to RR Jack Bottom	1	Orange/Yellow Stripe	2463
Hose, 10'	LF Jack Bottom to RF Jack Bottom	1	Brown/White Stripe	2465
Hose, 30'	Pump to Jack, Left Rear Top	1	Orange Solid	2527
Hose, 30'	Pump to Jack, Right Rear Top	1	Yellow Solid	2527
Hose, 32'	Pump to Jack, Right Rear Bottom	1	Yellow Stripe	2482

Options				

Revisions				

**MY2016 CANYON STAR 3710, 3712, 3755, 3903, 3911, 3914, 3921, 3922, 3944, 3953
STANDARD ON ALL FLOOR PLANS LISTED**



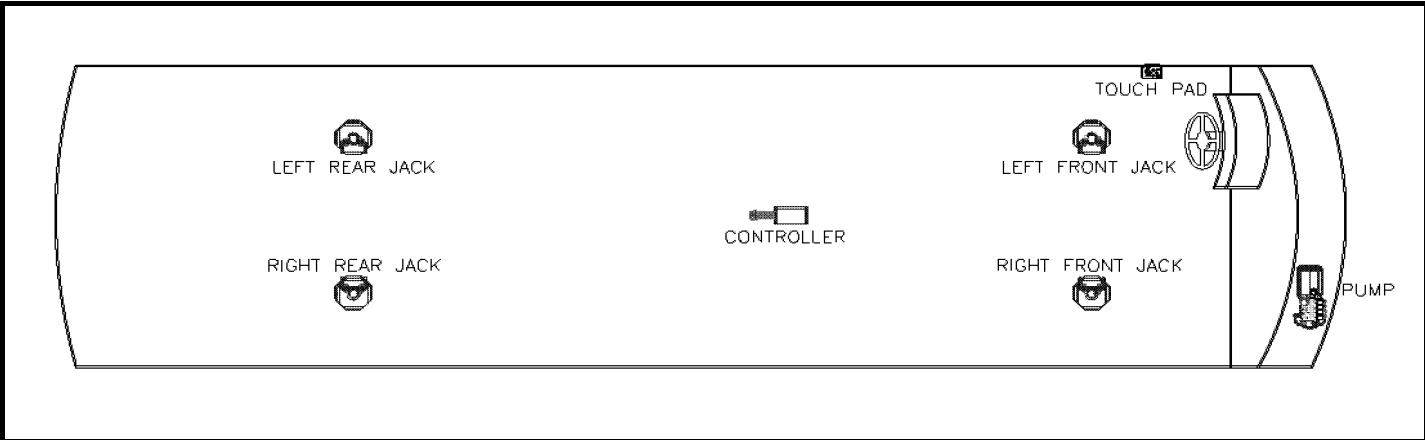
Notes:
 For model year 2014, Equalizer will begin sending jacks to Newmar already assembled on the brackets.
 To order a replacement jack assembly use 7636 for the front jacks and 7214 for the rear jacks.
 In October of 2014 the system number changed from 8612A to 8612B

Item, Length	Description / Location	Qty	Color	Equalizer Part No.
Kit	(Items listed below)	1		8612A/8612B
Pump	4-Function, Jacks	1		7770
Jack	7,500 lbs, 15" Stroke/Front Jacks	2		7850
Jack	12,000 lbs, 16" Stroke/Rear Jacks	2		7852
Touch Pad	Located to the left of the drivers seat	1		3103
AL Controller	Attached to bottom of structure	1		3149
Harness	Connects Pump, Controller, & Touch Pad	1		6918
Hose Kit	Complete Set of Hoses	1		7791
Hose, 6'	Pump to Jack, Left Front Top	1	Brown Solid	2461
Hose, 8'	Pump to Jack, Left Front Bottom	1	Brown Stripe	2463
Hose, 8'	Pump to Jack, Right Front Top	1	White Solid	2463
Hose, 8'	LR Jack Bottom to RR Jack Bottom	1	Orange/Yellow Stripe	2463
Hose, 10'	LF Jack Bottom to RF Jack Bottom	1	Brown/White Stripe	2465
Hose, 36'	Pump to Jack, Left Rear Top	1	Orange Solid	2486
Hose, 36'	Pump to Jack, Right Rear Top	1	Yellow Solid	2486
Hose, 38'	Pump to Jack, Right Rear Bottom	1	Yellow Stripe	2488

Options				

Revisions				

**MY2016 VENTANA LE 3427 3436
STANDARD ON ALL FLOOR PLANS LISTED**



Notes:

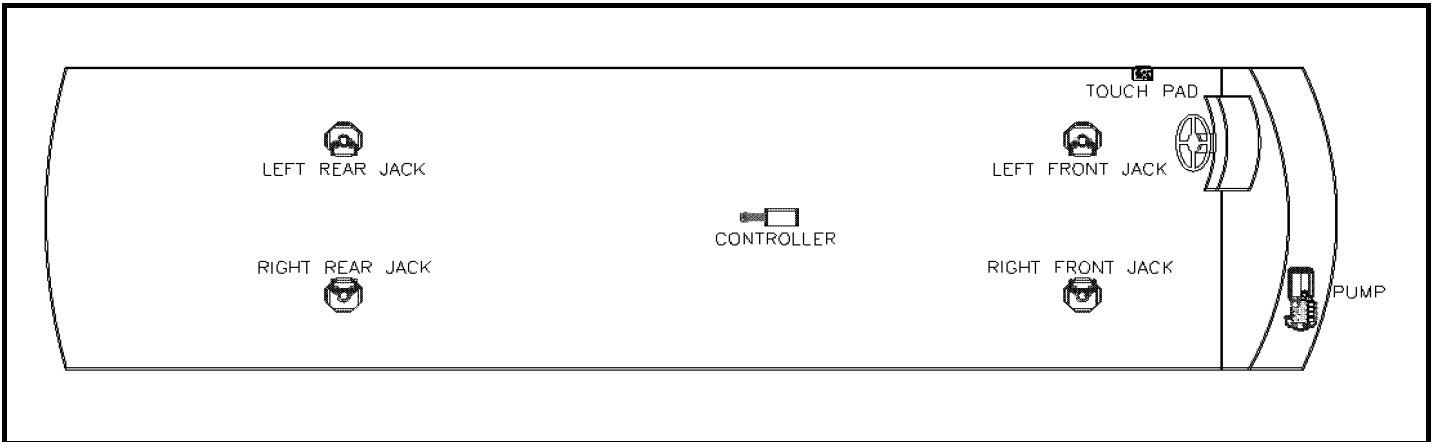
Jack assembly in list includes mount plate and hardware. To order a replacement jack assembly, use part number 7214.

Item, Length	Description / Location	Qty	Color	Equalizer Part No.
Kit	(Items listed below)	1		8642
Pump	4-Function, Jacks	1		7837
Jack	12,000 lbs, 16" Stroke	4		7835
Touch Pad	Located to the left of the drivers seat	1		3103
AL Controller	Attached to bottom of structure	1		3149
Harness	Connects Pump, Controller, & Touch Pad	1		6940
Hose Kit	Complete Set of Hoses	1		7839
Hose, 10'	LR Jack Bottom to RR Jack Bottom	1	Orange/Yellow Stripe	2465
Hose, 10'	LF Jack Bottom to RF Jack Bottom	1	Brown/White Stripe	2465
Hose, 12'	Pump to Jack, Left Front Top	1	Brown Solid	2467
Hose, 12'	Pump to Jack, Right Front Top	1	White Solid	2467
Hose, 14'	Pump to Jack, Right Front Bottom	1	White Stripe	2469
Hose, 30'	Pump to Jack, Left Rear Top	1	Orange Solid	2527
Hose, 30'	Pump to Jack, Right Rear Top	1	Yellow Solid	2527
Hose, 32'	Pump to Jack, Right Rear Bottom	1	Yellow Stripe	2482

Options

Revisions

**MY2016 VENTANA LE 3709, 3725
STANDARD ON ALL FLOOR PLANS LISTED**



Notes:

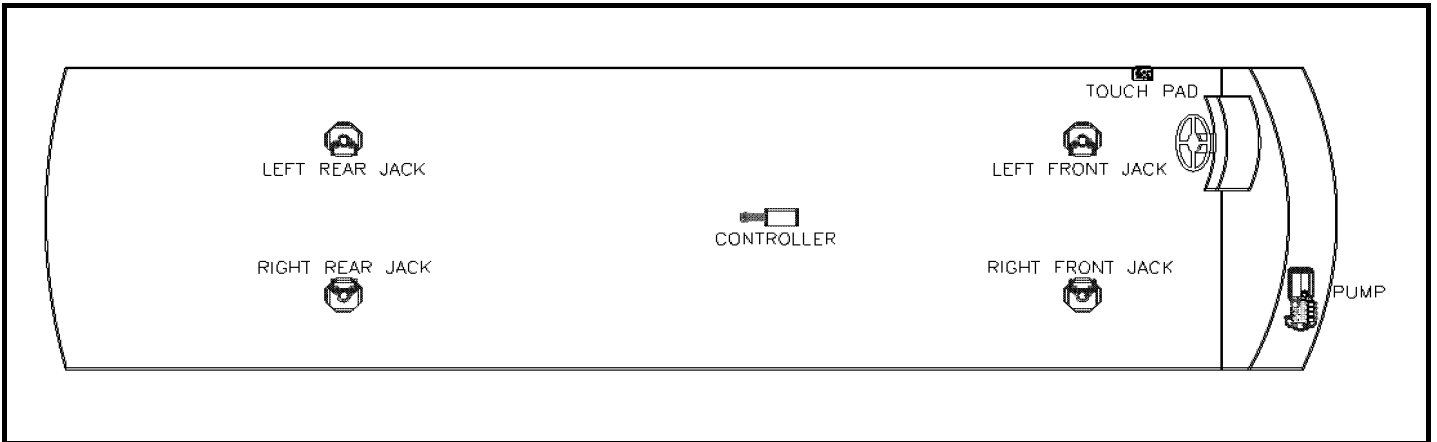
Jack assembly in list includes mount plate and hardware. To order a replacement jack assembly, use part number 7214.

Item, Length	Description / Location	Qty	Color	Equalizer Part No.
Kit	(Items listed below)	1		8643
Pump	4-Function, Jacks	1		7837
Jack	12,000 lbs, 16" Stroke	4		7835
Touch Pad	Located to the left of the drivers seat	1		3103
AL Controller	Attached to bottom of structure	1		3149
Harness	Connects Pump, Controller, & Touch Pad	1		6940
Hose Kit	Complete Set of Hoses	1		7838
Hose, 10'	LR Jack Bottom to RR Jack Bottom	1	Orange/Yellow Stripe	2465
Hose, 10'	LF Jack Bottom to RF Jack Bottom	1	Brown/White Stripe	2465
Hose, 12'	Pump to Jack, Left Front Top	1	Brown Solid	2467
Hose, 12'	Pump to Jack, Right Front Top	1	White Solid	2467
Hose, 14'	Pump to Jack, Right Front Bottom	1	White Stripe	2469
Hose, 34'	Pump to Jack, Left Rear Top	1	Orange Solid	2484
Hose, 34'	Pump to Jack, Right Rear Top	1	Yellow Solid	2484
Hose, 36'	Pump to Jack, Right Rear Bottom	1	Yellow Stripe	2486

Options

Revisions

**MY2016 VENTANA LE 4002, 4037, 4040, 4044
STANDARD ON ALL FLOOR PLANS LISTED**

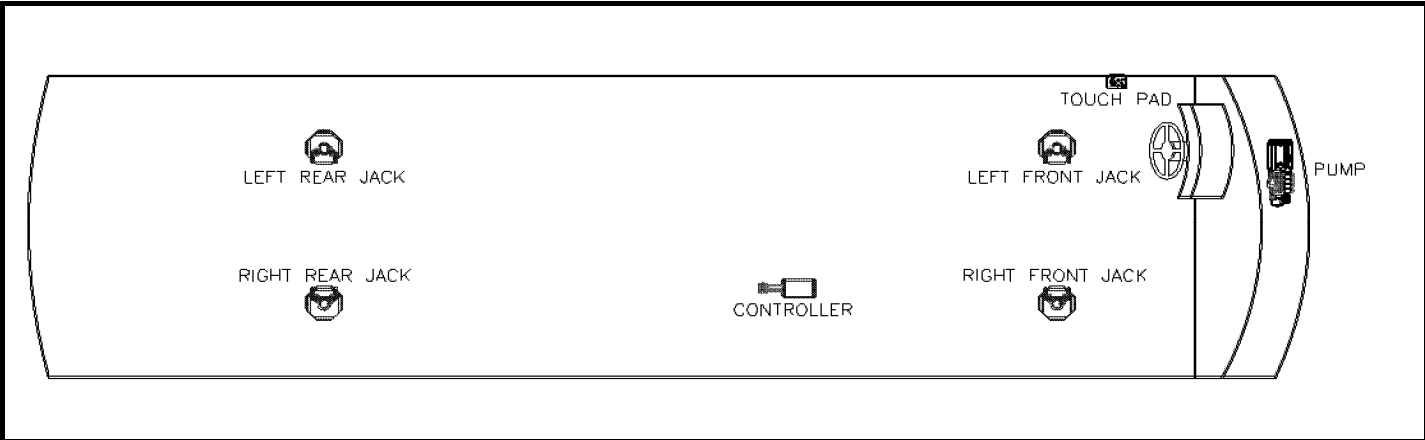


Notes:

Jack assemblies in list include mount plate and hardware. To order a replacement jack assembly, use part number 7214 for the front jacks and 7134 for the rear jacks.

Item, Length	Description / Location	Qty	Color	Equalizer Part No.
Kit	(Items listed below)	1		8749
Pump	4-Function, Jacks	1		7837
Jacks (Front)	12,000 lbs, 16" Stroke	2		7835
Jacks (Rear)	17,500 lbs, 18" Stroke	2		7965
Touch Pad	Located to the left of the drivers seat	1		3103
AL Controller	Attached to bottom of structure	1		3149
Harness	Connects Pump, Controller, & Touch Pad	1		6940
Hose Kit	Complete Set of Hoses	1		7964
Hose, 10'	LR Jack Bottom to RR Jack Bottom	1	Orange/Yellow Stripe	2465
Hose, 10'	LF Jack Bottom to RF Jack Bottom	1	Brown/White Stripe	2465
Hose, 12'	Pump to Jack, Left Front Top	1	Brown Solid	2467
Hose, 12'	Pump to Jack, Right Front Top	1	White Solid	2467
Hose, 14'	Pump to Jack, Right Front Bottom	1	White Stripe	2469
Hose, 36'	Pump to Jack, Left Rear Top	1	Orange Solid	2486
Hose, 36'	Pump to Jack, Right Rear Top	1	Yellow Solid	2486
Hose, 38'	Pump to Jack, Right Rear Bottom	1	Yellow Stripe	2488
Options				
Revisions				

MY2017 BAY STAR SPORT OPTIONAL ON: 2622, 2702, 2812, 2903, 3013, 3022, 3208, 3210, 3306
 MY2017 BAY STAR STANDARD ON: 3009, 3113, 3124, 3208, 3306, 3333, 3401, 3403, 3516, 3518



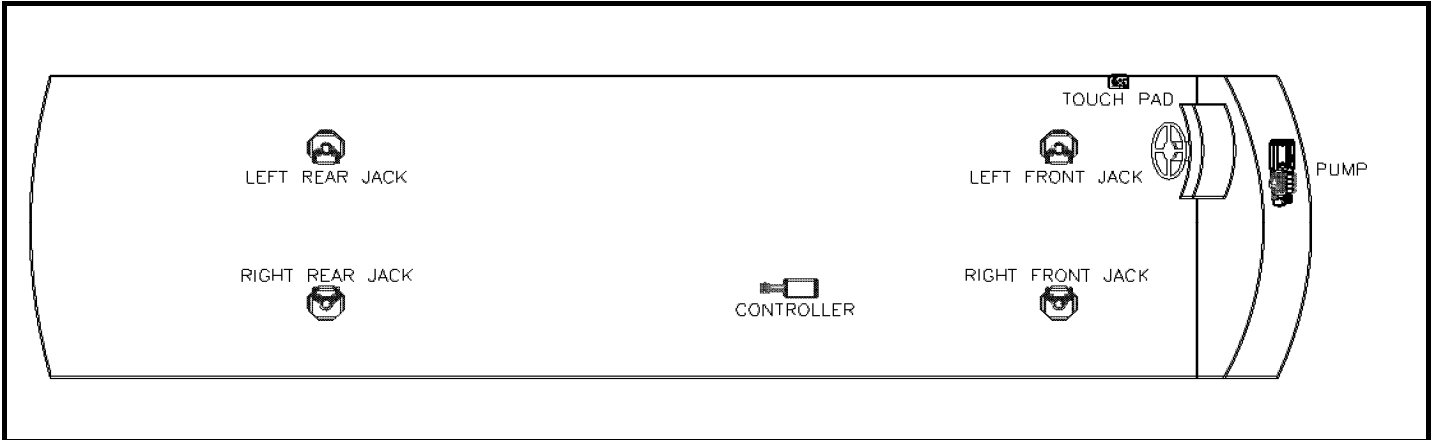
Notes:
 For model year 2014, Equalizer will begin sending jacks to Newmar already assembled on the brackets.
 To order a replacement jack assembly use 7636
 In October of 2014 the system number changed from 8582B to 8582C
 on 7/26/16 system number was changed from 8582C to 8582d for 3149A controller
 On 11/30/16 hose Pump to Jack, Left Rear Top was changed from 30' to 32'

Item, Length	Description / Location	Qty	Color	Equalizer Part No.
Kit	(Items listed below)	1		8582D
Pump	4-Function, Jacks	1		7770
Jack	7,500 lbs, 15" Stroke/Front Jacks	2		7850
Jack	7,500 lbs, 15" Stroke/Rear Jacks	2		7851
Touch Pad	Located to the left of the drivers seat	1		3103
AL Controller	Attached to bottom of structure	1		3149A
Harness	Connects Pump, Controller, & Touch Pad	1		6918
Hose Kit	Complete Set of Hoses	1		7762
Hose, 6'	Pump to Jack, Left Front Top	1	Brown Solid	2461
Hose, 8'	Pump to Jack, Left Front Bottom	1	Brown Stripe	2463
Hose, 8'	Pump to Jack, Right Front Top	1	White Solid	2463
Hose, 8'	LR Jack Bottom to RR Jack Bottom	1	Orange/Yellow Stripe	2463
Hose, 10'	LF Jack Bottom to RF Jack Bottom	1	Brown/White Stripe	2465
Hose, 32'	Pump to Jack, Left Rear Top	1	Orange Solid	2482
Hose, 30'	Pump to Jack, Right Rear Top	1	Yellow Solid	2527
Hose, 32'	Pump to Jack, Right Rear Bottom	1	Yellow Stripe	2482

Options				

Revisions				

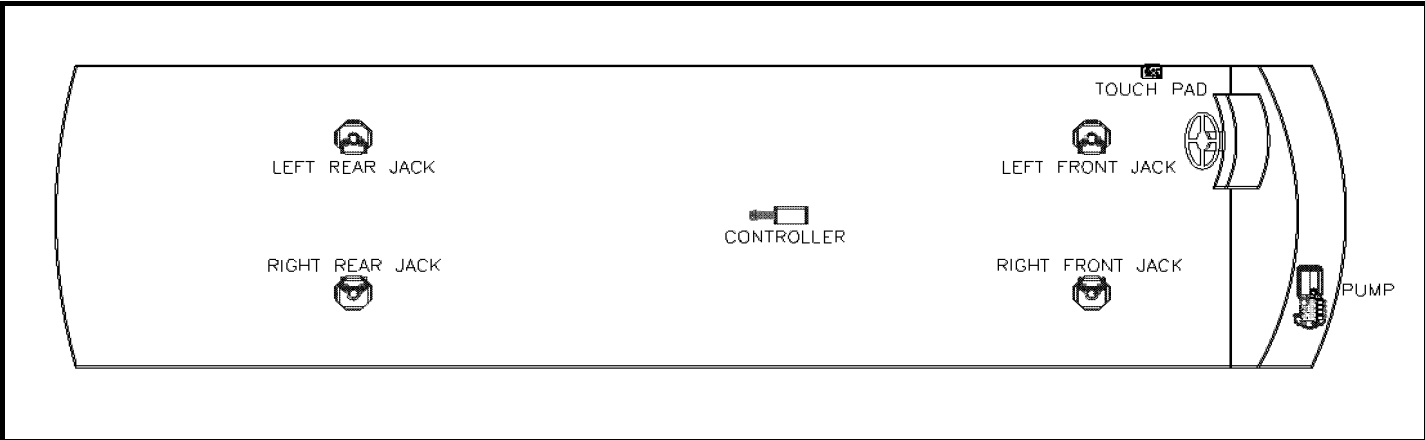
**MY2017 CANYON STAR 3513, 3710, 3902, 3911, 3914, 3921, 3923, 3925, 3953
STANDARD ON ALL FLOOR PLANS LISTED**



Notes:
 For model year 2014, Equalizer will begin sending jacks to Newmar already assembled on the brackets.
 To order a replacement jack assembly use 7636 for the front jacks and 7214 for the rear jacks.
 In October of 2014 the system number changed from 8612A to 8612B
 On 7/26/16 the system number changed from 8612B to 8612C for 3149A controller.

Item, Length	Description / Location	Qty	Color	Equalizer Part No.
Kit	(Items listed below)	1		8612C
Pump	4-Function, Jacks	1		7770
Jack	7,500 lbs, 15" Stroke/Front Jacks	2		7850
Jack	12,000 lbs, 16" Stroke/Rear Jacks	2		7852
Touch Pad	Located to the left of the drivers seat	1		3103
AL Controller	Attached to bottom of structure	1		3149A
Harness	Connects Pump, Controller, & Touch Pad	1		6918
Hose Kit	Complete Set of Hoses	1		7791
Hose, 6'	Pump to Jack, Left Front Top	1	Brown Solid	2461
Hose, 8'	Pump to Jack, Left Front Bottom	1	Brown Stripe	2463
Hose, 8'	Pump to Jack, Right Front Top	1	White Solid	2463
Hose, 8'	LR Jack Bottom to RR Jack Bottom	1	Orange/Yellow Stripe	2463
Hose, 10'	LF Jack Bottom to RF Jack Bottom	1	Brown/White Stripe	2465
Hose, 36'	Pump to Jack, Left Rear Top	1	Orange Solid	2486
Hose, 36'	Pump to Jack, Right Rear Top	1	Yellow Solid	2486
Hose, 38'	Pump to Jack, Right Rear Bottom	1	Yellow Stripe	2488
Options				
Revisions				

**MY2017 VENTANA LE 3412 3436
STANDARD ON ALL FLOOR PLANS LISTED**



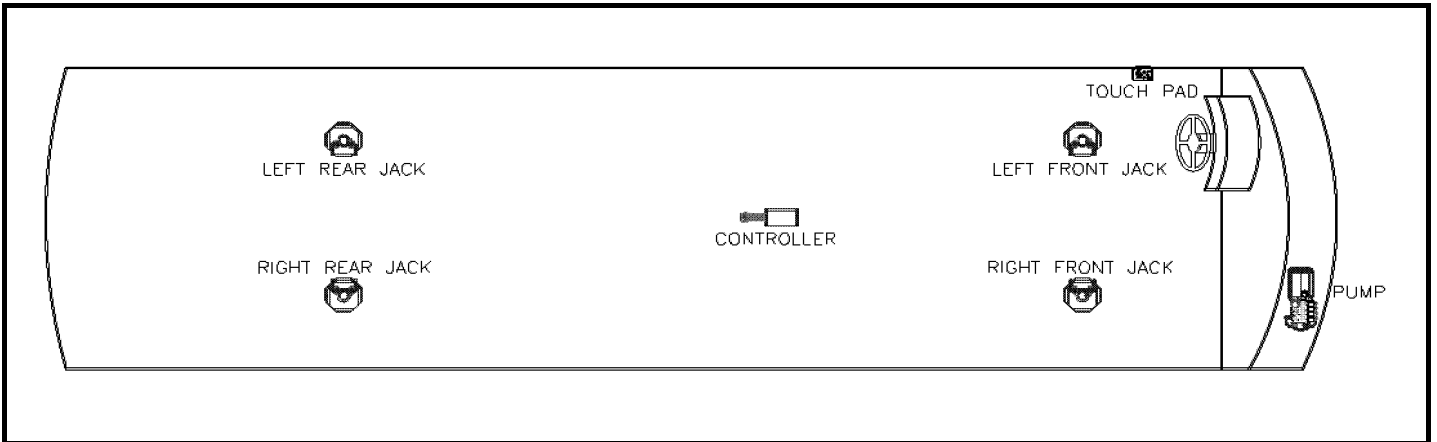
Notes:
 Jack assembly in list includes mount plate and hardware. To order a replacement jack assembly, use part number 7214.
 On 7/26/16 kit number was changed to 8642A with 3149A controller.

Item, Length	Description / Location	Qty	Color	Equalizer Part No.
Kit	(Items listed below)	1		8642A
Pump	4-Function, Jacks	1		7837
Jack	12,000 lbs, 16" Stroke	4		7835
Touch Pad	Located to the left of the drivers seat	1		3103
AL Controller	Attached to bottom of structure	1		3149A
Harness	Connects Pump, Controller, & Touch Pad	1		6940
Hose Kit	Complete Set of Hoses	1		7839
Hose, 10'	LR Jack Bottom to RR Jack Bottom	1	Orange/Yellow Stripe	2465
Hose, 10'	LF Jack Bottom to RF Jack Bottom	1	Brown/White Stripe	2465
Hose, 12'	Pump to Jack, Left Front Top	1	Brown Solid	2467
Hose, 12'	Pump to Jack, Right Front Top	1	White Solid	2467
Hose, 14'	Pump to Jack, Right Front Bottom	1	White Stripe	2469
Hose, 30'	Pump to Jack, Left Rear Top	1	Orange Solid	2527
Hose, 30'	Pump to Jack, Right Rear Top	1	Yellow Solid	2527
Hose, 32'	Pump to Jack, Right Rear Bottom	1	Yellow Stripe	2482

Options				

Revisions				

**MY2017 VENTANA LE 3709, 3724
STANDARD ON ALL FLOOR PLANS LISTED**



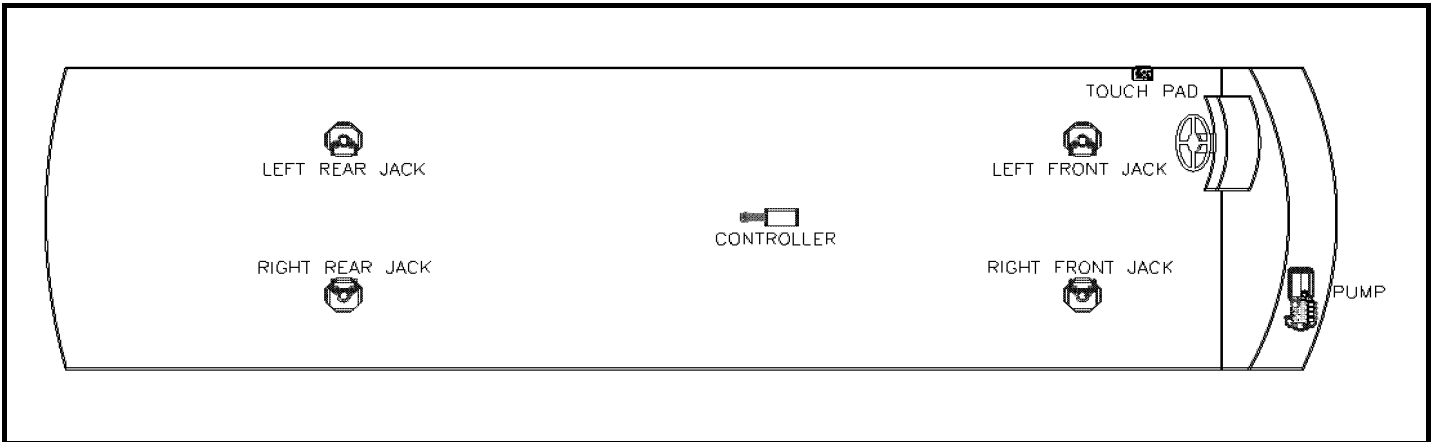
Notes:
 Jack assembly in list includes mount plate and hardware. To order a replacement jack assembly, use part number 7214.
 On 7/26/14 system number was changed from 8643 to 8643A for 3149A.

Item, Length	Description / Location	Qty	Color	Equalizer Part No.
Kit	(Items listed below)	1		8643A
Pump	4-Function, Jacks	1		7837
Jack	12,000 lbs, 16" Stroke	4		7835
Touch Pad	Located to the left of the drivers seat	1		3103
AL Controller	Attached to bottom of structure	1		3149A
Harness	Connects Pump, Controller, & Touch Pad	1		6940
Hose Kit	Complete Set of Hoses	1		7838
Hose, 10'	LR Jack Bottom to RR Jack Bottom	1	Orange/Yellow Stripe	2465
Hose, 10'	LF Jack Bottom to RF Jack Bottom	1	Brown/White Stripe	2465
Hose, 12'	Pump to Jack, Left Front Top	1	Brown Solid	2467
Hose, 12'	Pump to Jack, Right Front Top	1	White Solid	2467
Hose, 14'	Pump to Jack, Right Front Bottom	1	White Stripe	2469
Hose, 34'	Pump to Jack, Left Rear Top	1	Orange Solid	2484
Hose, 34'	Pump to Jack, Right Rear Top	1	Yellow Solid	2484
Hose, 36'	Pump to Jack, Right Rear Bottom	1	Yellow Stripe	2486

Options				

Revisions				

**MY2017 VENTANA LE 4002, 4037, 4042, 4044
STANDARD ON ALL FLOOR PLANS LISTED**



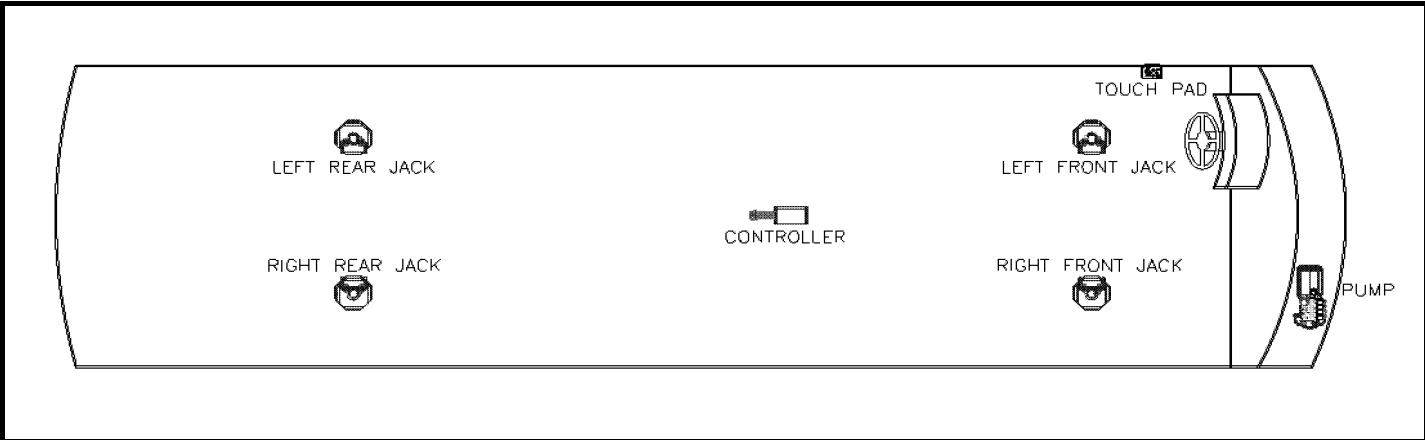
Notes:

Jack assemblies in list include mount plate and hardware. To order a replacement jack assembly, use part number 7214 for the front jacks and 7134 for the rear jacks.

On 7/26/16 the system number changed from 8749 to 8749A for 3149A controller.

Item, Length	Description / Location	Qty	Color	Equalizer Part No.
Kit	(Items listed below)	1		8749A
Pump	4-Function, Jacks	1		7837
Jacks (Front)	12,000 lbs, 16" Stroke	2		7835
Jacks (Rear)	17,500 lbs, 18" Stroke	2		7965
Touch Pad	Located to the left of the drivers seat	1		3103
AL Controller	Attached to bottom of structure	1		3149A
Harness	Connects Pump, Controller, & Touch Pad	1		6940
Hose Kit	Complete Set of Hoses	1		7964
Hose, 10'	LR Jack Bottom to RR Jack Bottom	1	Orange/Yellow Stripe	2465
Hose, 10'	LF Jack Bottom to RF Jack Bottom	1	Brown/White Stripe	2465
Hose, 12'	Pump to Jack, Left Front Top	1	Brown Solid	2467
Hose, 12'	Pump to Jack, Right Front Top	1	White Solid	2467
Hose, 14'	Pump to Jack, Right Front Bottom	1	White Stripe	2469
Hose, 36'	Pump to Jack, Left Rear Top	1	Orange Solid	2486
Hose, 36'	Pump to Jack, Right Rear Top	1	Yellow Solid	2486
Hose, 38'	Pump to Jack, Right Rear Bottom	1	Yellow Stripe	2488
Options				
Revisions				

**MY2017 VENTANA 3412 3436
STANDARD ON ALL FLOOR PLANS LISTED**



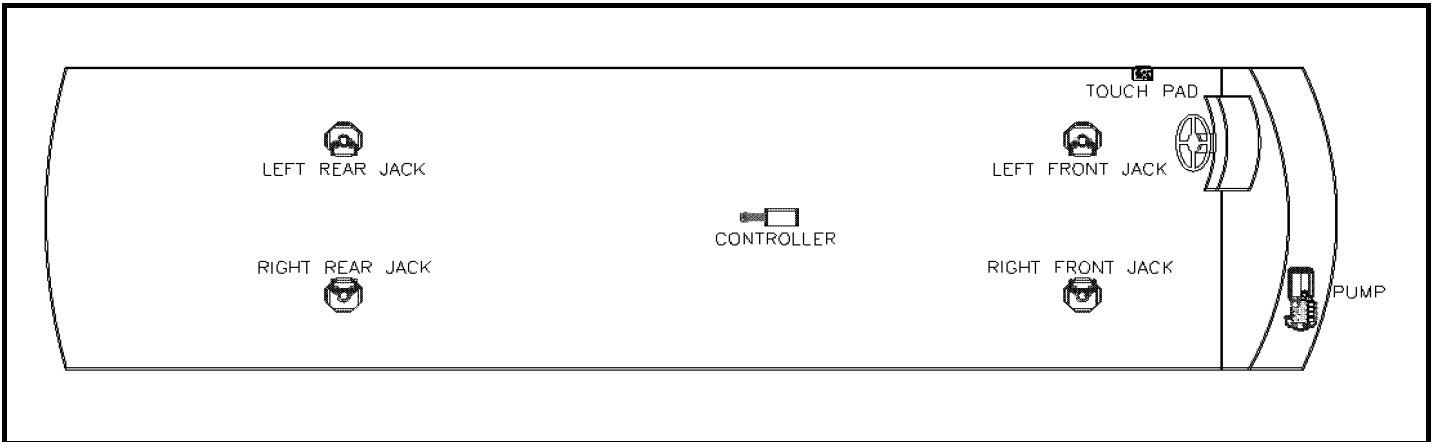
Notes:
 Jack assemblies in list include mount plate and hardware. To order a replacement jack assembly, use part number 7214 for a front jack, and 7134 for a rear jack.
 On 7/26/16 the system number changed from 8311 to 8311A for 3149A controller.

Item, Length	Description / Location	Qty	Color	Equalizer Part No.
Kit	(Items listed below)	1		8311A
Pump	4-Function, Jacks	1		7837
Jacks(Front)	12,000 lbs, 16" Stroke	2		7835
Jacks(Rear)	17,500 lbs, 18" Stroke	2		7965
Touch Pad	Located to the left of the drivers seat	1		3103
AL Controller	Attached to bottom of structure	1		3149A
Harness	Connects Pump, Controller, & Touch Pad	1		6940
Hose Kit	Complete Set of Hoses	1		7839
Hose, 10'	LR Jack Bottom to RR Jack Bottom	1	Orange/Yellow Stripe	2465
Hose, 10'	LF Jack Bottom to RF Jack Bottom	1	Brown/White Stripe	2465
Hose, 12'	Pump to Jack, Left Front Top	1	Brown Solid	2467
Hose, 12'	Pump to Jack, Right Front Top	1	White Solid	2467
Hose, 14'	Pump to Jack, Right Front Bottom	1	White Stripe	2469
Hose, 30'	Pump to Jack, Left Rear Top	1	Orange Solid	2527
Hose, 30'	Pump to Jack, Right Rear Top	1	Yellow Solid	2527
Hose, 32'	Pump to Jack, Right Rear Bottom	1	Yellow Stripe	2482

Options				

Revisions				

**MY2017 VENTANA 3709, 3724, 4002, 4037, 4041
STANDARD ON ALL FLOOR PLANS LISTED**



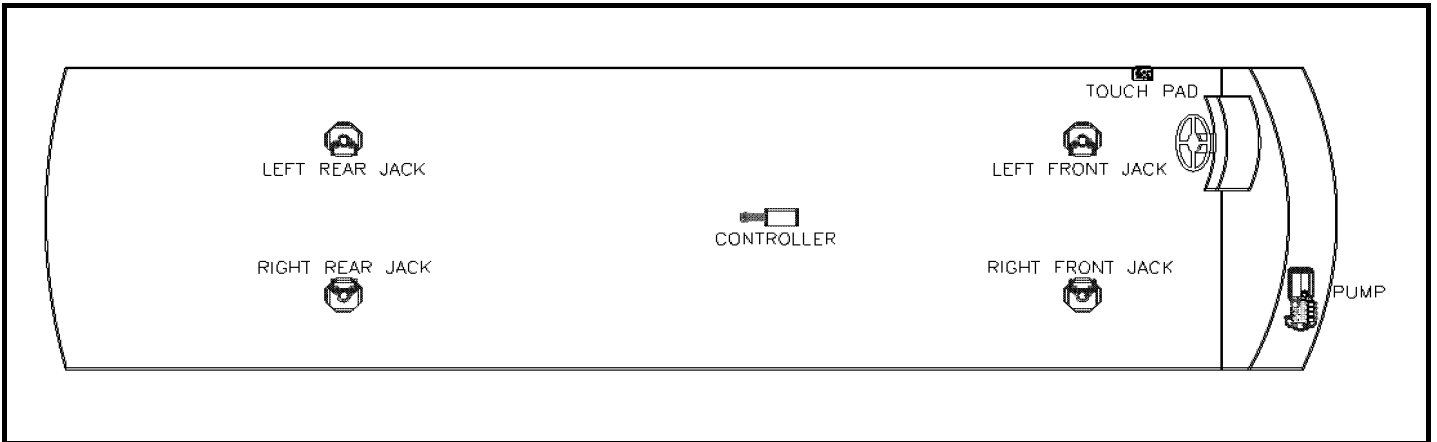
Notes:
Jack assemblies in list include mount plate and hardware. To order a replacement jack assembly, use part number 7214 for the front jacks, and 7134 for the rear jacks.
On 7/26/16 the system number changed from 8282 to 8282A for 3149A controller.

Item, Length	Description / Location	Qty	Color	Equalizer Part No.
Kit	(Items listed below)	1		8282A
Pump	4-Function, Jacks	1		7837
Jacks(Front)	12,000 lbs, 16" Stroke	2		7835
Jacks(Rear)	17,500 lbs, 16" Stroke	2		7965
Touch Pad	Located to the left of the drivers seat	1		3103
AL Controller	Attached to bottom of structure	1		3149A
Harness	Connects Pump, Controller, & Touch Pad	1		6940
Hose Kit	Complete Set of Hoses	1		7838
Hose, 10'	LR Jack Bottom to RR Jack Bottom	1	Orange/Yellow Stripe	2465
Hose, 10'	LF Jack Bottom to RF Jack Bottom	1	Brown/White Stripe	2465
Hose, 12'	Pump to Jack, Left Front Top	1	Brown Solid	2467
Hose, 12'	Pump to Jack, Right Front Top	1	White Solid	2467
Hose, 14'	Pump to Jack, Right Front Bottom	1	White Stripe	2469
Hose, 34'	Pump to Jack, Left Rear Top	1	Orange Solid	2484
Hose, 34'	Pump to Jack, Right Rear Top	1	Yellow Solid	2484
Hose, 36'	Pump to Jack, Right Rear Bottom	1	Yellow Stripe	2486

Options				

Revisions				

**MY2017 VENTANA 4310, 4311, 4322, 4369
STANDARD ON ALL FLOOR PLANS LISTED**



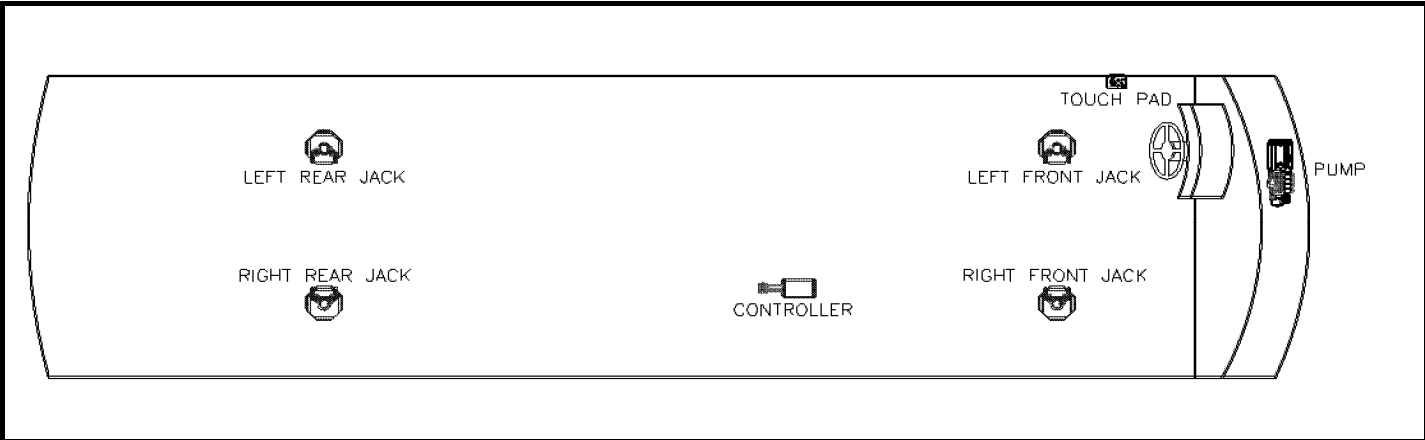
Notes:

Jack assemblies in list include mount plate and hardware. To order a replacement jack assembly, use part number 7214 for the front jacks and 7134 for the rear jacks.

On 7/26/16 the system number changed from 8749 to 8749A for 3149A controller.

Item, Length	Description / Location	Qty	Color	Equalizer Part No.
Kit	(Items listed below)	1		8749A
Pump	4-Function, Jacks	1		7837
Jacks (Front)	12,000 lbs, 16" Stroke	2		7835
Jacks (Rear)	17,500 lbs, 18" Stroke	2		7965
Touch Pad	Located to the left of the drivers seat	1		3103
AL Controller	Attached to bottom of structure	1		3149A
Harness	Connects Pump, Controller, & Touch Pad	1		6940
Hose Kit	Complete Set of Hoses	1		7964
Hose, 10'	LR Jack Bottom to RR Jack Bottom	1	Orange/Yellow Stripe	2465
Hose, 10'	LF Jack Bottom to RF Jack Bottom	1	Brown/White Stripe	2465
Hose, 12'	Pump to Jack, Left Front Top	1	Brown Solid	2467
Hose, 12'	Pump to Jack, Right Front Top	1	White Solid	2467
Hose, 14'	Pump to Jack, Right Front Bottom	1	White Stripe	2469
Hose, 36'	Pump to Jack, Left Rear Top	1	Orange Solid	2486
Hose, 36'	Pump to Jack, Right Rear Top	1	Yellow Solid	2486
Hose, 38'	Pump to Jack, Right Rear Bottom	1	Yellow Stripe	2488
Options				
Revisions				

**MY2018 BAY STAR SPORT OPTIONAL ON: 2702, 2812, 2903, 3022, 3113, 3307, 3312
 MY2018 BAY STAR STANDARD ON: 3009, 3113, 3124, 3333, 3401, 3403, 3406, 3414, 3518, 3532**



Notes:

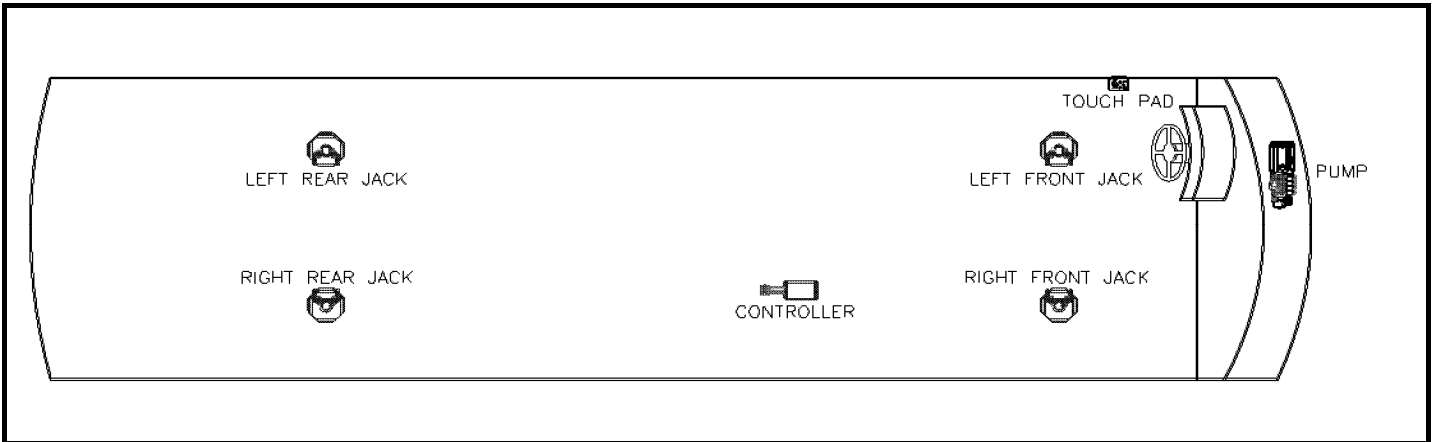
For model year 2014, Equalizer will begin sending jacks to Newmar already assembled on the brackets.
 To order a replacement jack assembly use 7636
 In October of 2014 the system number changed from 8582B to 8582C
 on 7/26/16 system number was changed from 8582C to 8582d for 3149A controller
 On 11/30/16 hose Pump to Jack, Left Rear Top was changed from 30' to 32'

Item, Length	Description / Location	Qty	Color	Equalizer Part No.
Kit	(Items listed below)	1		8582D
Pump	4-Function, Jacks	1		7770
Jack	7,500 lbs, 15" Stroke/Front Jacks	2		7850
Jack	7,500 lbs, 15" Stroke/Rear Jacks	2		7851
Touch Pad	Located to the left of the drivers seat	1		3103
AL Controller	Attached to bottom of structure	1		3149A
Harness	Connects Pump, Controller, & Touch Pad	1		6918
Hose Kit	Complete Set of Hoses	1		7762
Hose, 6'	Pump to Jack, Left Front Top	1	Brown Solid	2461
Hose, 8'	Pump to Jack, Left Front Bottom	1	Brown Stripe	2463
Hose, 8'	Pump to Jack, Right Front Top	1	White Solid	2463
Hose, 8'	LR Jack Bottom to RR Jack Bottom	1	Orange/Yellow Stripe	2463
Hose, 10'	LF Jack Bottom to RF Jack Bottom	1	Brown/White Stripe	2465
Hose, 32'	Pump to Jack, Left Rear Top	1	Orange Solid	2482
Hose, 30'	Pump to Jack, Right Rear Top	1	Yellow Solid	2527
Hose, 32'	Pump to Jack, Right Rear Bottom	1	Yellow Stripe	2482

Options

Revisions

**MY2018 CANYON STAR 3513, 3710, 3716, 3901, 3911, 3918, 3921, 3923, 3924, 3926, 3928, 3953
STANDARD ON ALL FLOOR PLANS LISTED**

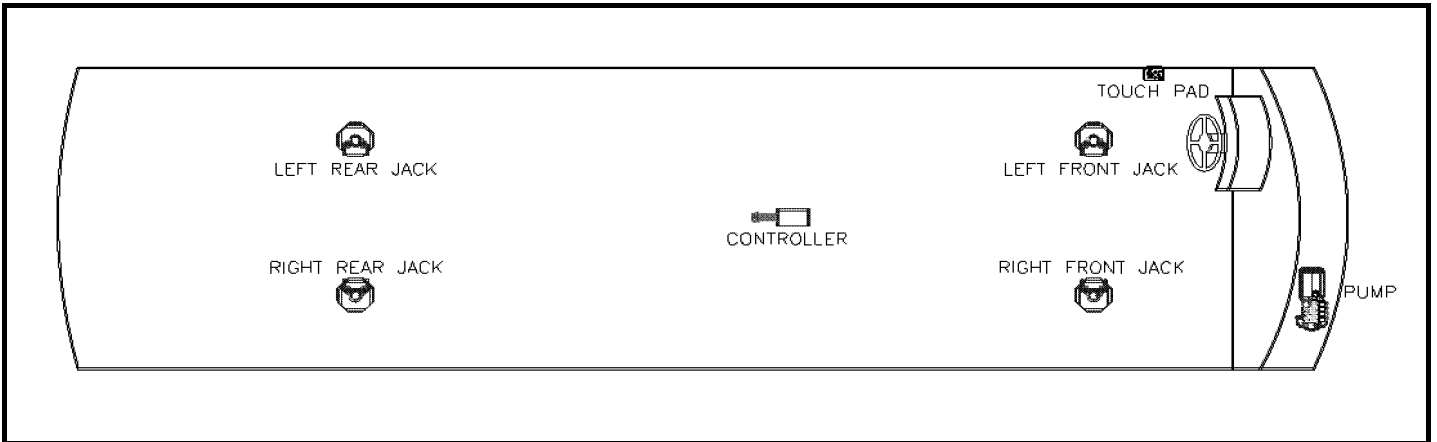


Notes:

For model year 2014, Equalizer will begin sending jacks to Newmar already assembled on the brackets.
 To order a replacement jack assembly use 7636 for the front jacks and 7214 for the rear jacks.
 In October of 2014 the system number changed from 8612A to 8612B
 On 7/26/16 the system number changed from 8612B to 8612C for 3149A controller.

Item, Length	Description / Location	Qty	Color	Equalizer Part No.
Kit	(Items listed below)	1		8612C
Pump	4-Function, Jacks	1		7770
Jack	7,500 lbs, 15" Stroke/Front Jacks	2		7850
Jack	12,000 lbs, 16" Stroke/Rear Jacks	2		7852
Touch Pad	Located to the left of the drivers seat	1		3103
AL Controller	Attached to bottom of structure	1		3149A
Harness	Connects Pump, Controller, & Touch Pad	1		6918
Hose Kit	Complete Set of Hoses	1		7791
Hose, 6'	Pump to Jack, Left Front Top	1	Brown Solid	2461
Hose, 8'	Pump to Jack, Left Front Bottom	1	Brown Stripe	2463
Hose, 8'	Pump to Jack, Right Front Top	1	White Solid	2463
Hose, 8'	LR Jack Bottom to RR Jack Bottom	1	Orange/Yellow Stripe	2463
Hose, 10'	LF Jack Bottom to RF Jack Bottom	1	Brown/White Stripe	2465
Hose, 36'	Pump to Jack, Left Rear Top	1	Orange Solid	2486
Hose, 36'	Pump to Jack, Right Rear Top	1	Yellow Solid	2486
Hose, 38'	Pump to Jack, Right Rear Bottom	1	Yellow Stripe	2488
Options				
Revisions				

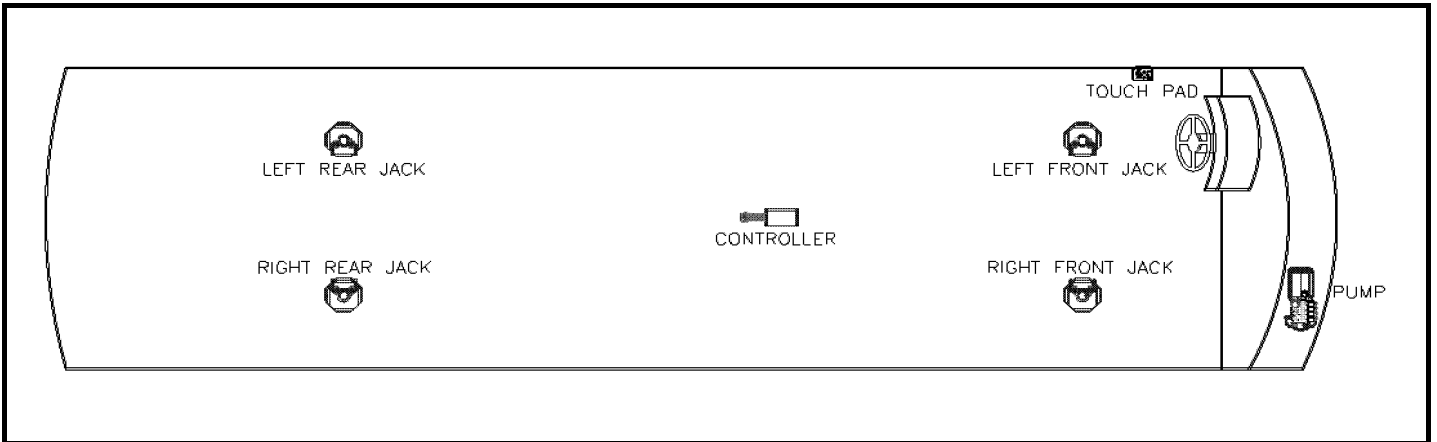
**MY2018 VENTANA LE 3412, 2413, 3436
STANDARD ON ALL FLOOR PLANS LISTED**



Notes:
 Jack assembly in list includes mount plate and hardware. To order a replacement jack assembly, use part number 7214.
 On 7/26/16 kit number was changed to 8642A with 3149A controller.

Item, Length	Description / Location	Qty	Color	Equalizer Part No.
Kit	(Items listed below)	1		8642A
Pump	4-Function, Jacks	1		7837
Jack	12,000 lbs, 16" Stroke	4		7835
Touch Pad	Located to the left of the drivers seat	1		3103
AL Controller	Attached to bottom of structure	1		3149A
Harness	Connects Pump, Controller, & Touch Pad	1		6940
Hose Kit	Complete Set of Hoses	1		7839
Hose, 10'	LR Jack Bottom to RR Jack Bottom	1	Orange/Yellow Stripe	2465
Hose, 10'	LF Jack Bottom to RF Jack Bottom	1	Brown/White Stripe	2465
Hose, 12'	Pump to Jack, Left Front Top	1	Brown Solid	2467
Hose, 12'	Pump to Jack, Right Front Top	1	White Solid	2467
Hose, 14'	Pump to Jack, Right Front Bottom	1	White Stripe	2469
Hose, 30'	Pump to Jack, Left Rear Top	1	Orange Solid	2527
Hose, 30'	Pump to Jack, Right Rear Top	1	Yellow Solid	2527
Hose, 32'	Pump to Jack, Right Rear Bottom	1	Yellow Stripe	2482
Options				
Revisions				

**MY2018 VENTANA LE 3709, 3713
STANDARD ON ALL FLOOR PLANS LISTED**



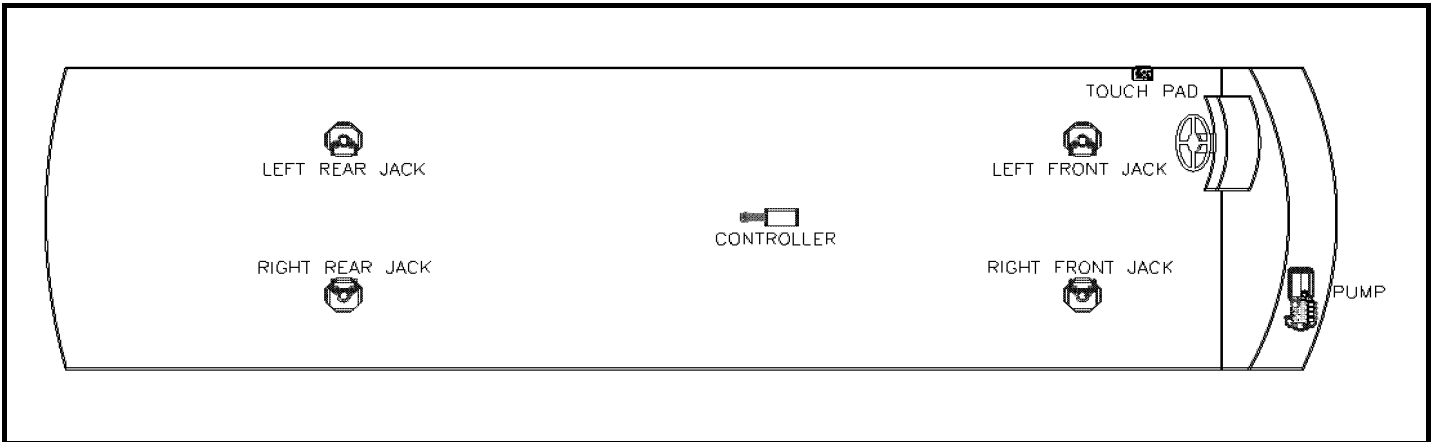
Notes:
 Jack assembly in list includes mount plate and hardware. To order a replacement jack assembly, use part number 7214.
 On 7/26/14 system number was changed from 8643 to 8643A for 3149A.

Item, Length	Description / Location	Qty	Color	Equalizer Part No.
Kit	(Items listed below)	1		8643A
Pump	4-Function, Jacks	1		7837
Jack	12,000 lbs, 16" Stroke	4		7835
Touch Pad	Located to the left of the drivers seat	1		3103
AL Controller	Attached to bottom of structure	1		3149A
Harness	Connects Pump, Controller, & Touch Pad	1		6940
Hose Kit	Complete Set of Hoses	1		7838
Hose, 10'	LR Jack Bottom to RR Jack Bottom	1	Orange/Yellow Stripe	2465
Hose, 10'	LF Jack Bottom to RF Jack Bottom	1	Brown/White Stripe	2465
Hose, 12'	Pump to Jack, Left Front Top	1	Brown Solid	2467
Hose, 12'	Pump to Jack, Right Front Top	1	White Solid	2467
Hose, 14'	Pump to Jack, Right Front Bottom	1	White Stripe	2469
Hose, 34'	Pump to Jack, Left Rear Top	1	Orange Solid	2484
Hose, 34'	Pump to Jack, Right Rear Top	1	Yellow Solid	2484
Hose, 36'	Pump to Jack, Right Rear Bottom	1	Yellow Stripe	2486

Options				

Revisions				

**MY2018 VENTANA LE 4002, 4037, 4042, 4048
STANDARD ON ALL FLOOR PLANS LISTED**

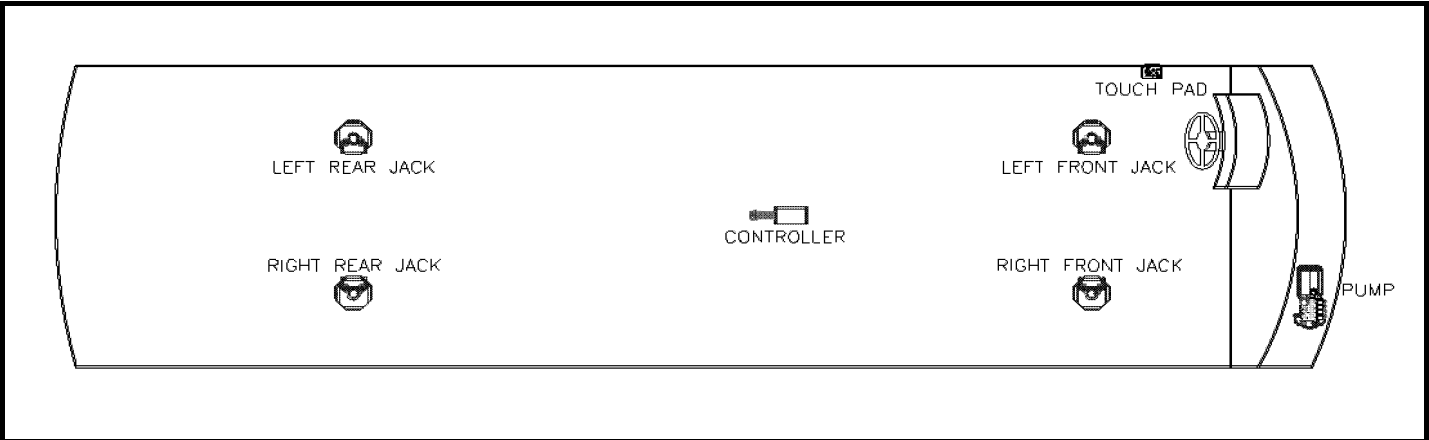


Notes:
 Jack assemblies in list include mount plate and hardware. To order a replacement jack assembly, use part number 7214 for the front jacks and 7134 for the rear jacks.

On 7/26/16 the system number changed from 8749 to 8749A for 3149A controller.

Item, Length	Description / Location	Qty	Color	Equalizer Part No.
Kit	(Items listed below)			8749A
Pump	4-Function, Jacks	1		7837
Jacks (Front)	12,000 lbs, 16" Stroke	2		7835
Jacks (Rear)	17,500 lbs, 18" Stroke	2		7965
Touch Pad	Located to the left of the drivers seat	1		3103
AL Controller	Attached to bottom of structure	1		3149A
Harness	Connects Pump, Controller, & Touch Pad	1		6940
Hose Kit	Complete Set of Hoses	1		7964
Hose, 10'	LR Jack Bottom to RR Jack Bottom	1	Orange/Yellow Stripe	2465
Hose, 10'	LF Jack Bottom to RF Jack Bottom	1	Brown/White Stripe	2465
Hose, 12'	Pump to Jack, Left Front Top	1	Brown Solid	2467
Hose, 12'	Pump to Jack, Right Front Top	1	White Solid	2467
Hose, 14'	Pump to Jack, Right Front Bottom	1	White Stripe	2469
Hose, 36'	Pump to Jack, Left Rear Top	1	Orange Solid	2486
Hose, 36'	Pump to Jack, Right Rear Top	1	Yellow Solid	2486
Hose, 38'	Pump to Jack, Right Rear Bottom	1	Yellow Stripe	2488
Options				
Revisions				

**MY2018 VENTANA 3407, 3412, 3436
STANDARD ON ALL FLOOR PLANS LISTED**



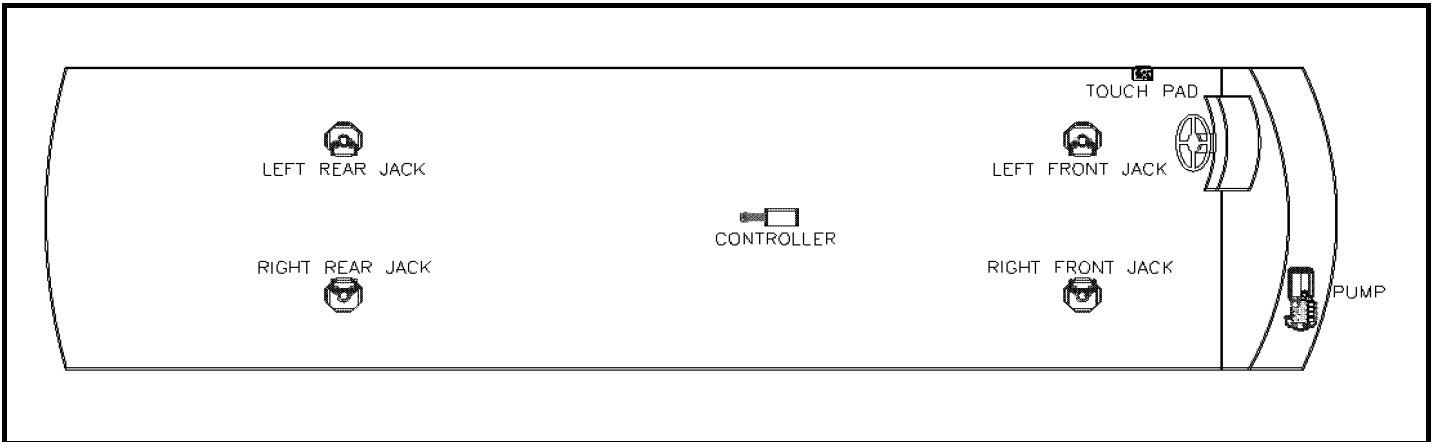
Notes:
 Jack assemblies in list include mount plate and hardware. To order a replacement jack assembly, use part number 7214 for a front jack, and 7134 for a rear jack.
 On 7/26/16 the system number changed from 8311 to 8311A for 3149A controller.

Item, Length	Description / Location	Qty	Color	Equalizer Part No.
Kit	(Items listed below)	1		8311A
Pump	4-Function, Jacks	1		7837
Jacks(Front)	12,000 lbs, 16" Stroke	2		7835
Jacks(Rear)	17,500 lbs, 18" Stroke	2		7965
Touch Pad	Located to the left of the drivers seat	1		3103
AL Controller	Attached to bottom of structure	1		3149A
Harness	Connects Pump, Controller, & Touch Pad	1		6940
Hose Kit	Complete Set of Hoses	1		7839
Hose, 10'	LR Jack Bottom to RR Jack Bottom	1	Orange/Yellow Stripe	2465
Hose, 10'	LF Jack Bottom to RF Jack Bottom	1	Brown/White Stripe	2465
Hose, 12'	Pump to Jack, Left Front Top	1	Brown Solid	2467
Hose, 12'	Pump to Jack, Right Front Top	1	White Solid	2467
Hose, 14'	Pump to Jack, Right Front Bottom	1	White Stripe	2469
Hose, 30'	Pump to Jack, Left Rear Top	1	Orange Solid	2527
Hose, 30'	Pump to Jack, Right Rear Top	1	Yellow Solid	2527
Hose, 32'	Pump to Jack, Right Rear Bottom	1	Yellow Stripe	2482

Options

Revisions

**MY2018 VENTANA 3709, 3715, 4002, 4037, 4046, 4049
STANDARD ON ALL FLOOR PLANS LISTED**



Notes:

Jack assemblies in list include mount plate and hardware. To order a replacement jack assembly, use part number 7214 for the front jacks, and 7134 for the rear jacks.

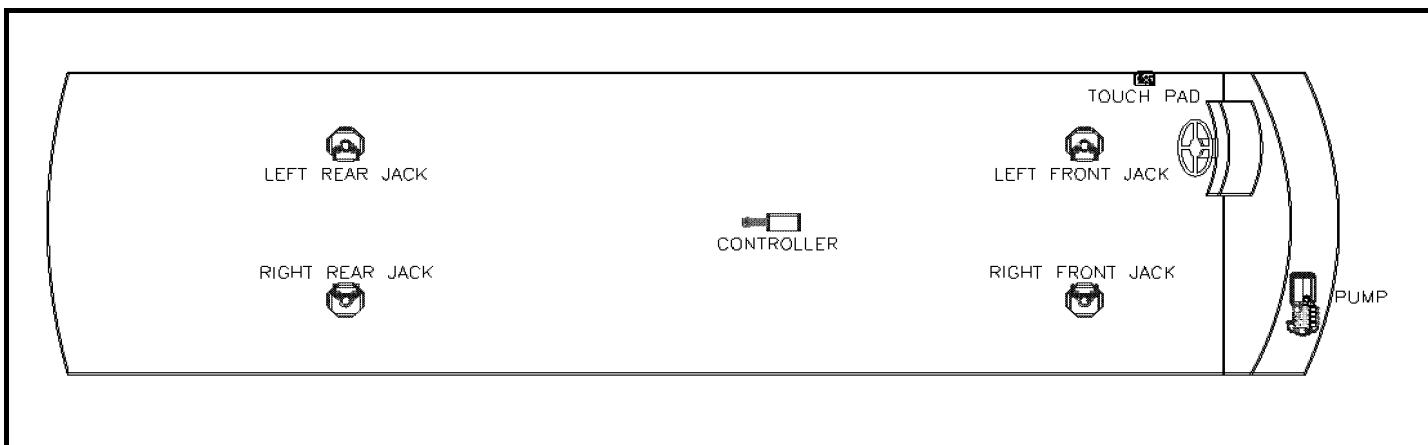
On 7/26/16 the system number changed from 8282 to 8282A for 3149A controller.

Item, Length	Description / Location	Qty	Color	Equalizer Part No.
Kit	(Items listed below)	1		8282A
Pump	4-Function, Jacks	1		7837
Jacks(Front)	12,000 lbs, 16" Stroke	2		7835
Jacks(Rear)	17,500 lbs, 16" Stroke	2		7965
Touch Pad	Located to the left of the drivers seat	1		3103
AL Controller	Attached to bottom of structure	1		3149A
Harness	Connects Pump, Controller, & Touch Pad	1		6940
Hose Kit	Complete Set of Hoses	1		7838
Hose, 10'	LR Jack Bottom to RR Jack Bottom	1	Orange/Yellow Stripe	2465
Hose, 10'	LF Jack Bottom to RF Jack Bottom	1	Brown/White Stripe	2465
Hose, 12'	Pump to Jack, Left Front Top	1	Brown Solid	2467
Hose, 12'	Pump to Jack, Right Front Top	1	White Solid	2467
Hose, 14'	Pump to Jack, Right Front Bottom	1	White Stripe	2469
Hose, 34'	Pump to Jack, Left Rear Top	1	Orange Solid	2484
Hose, 34'	Pump to Jack, Right Rear Top	1	Yellow Solid	2484
Hose, 36'	Pump to Jack, Right Rear Bottom	1	Yellow Stripe	2486

Options

Revisions

**MY2018 VENTANA 4308, 4310, 4311, 4326, 4369
STANDARD ON ALL FLOOR PLANS LISTED**



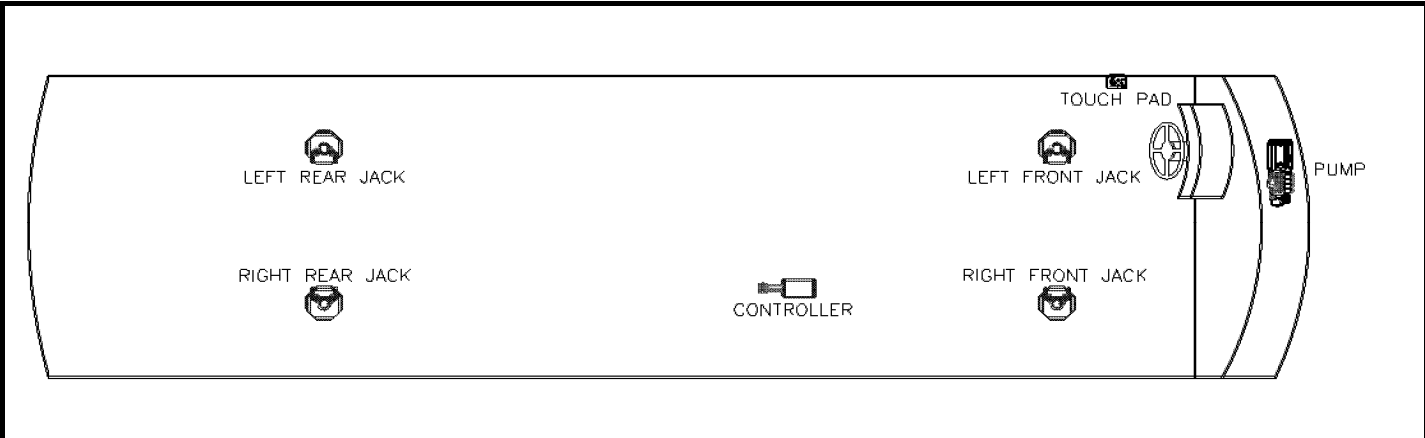
Notes:

Jack assemblies in list include mount plate and hardware. To order a replacement jack assembly, use part number 7214 for the front jacks and 7134 for the rear jacks.

On 7/26/16 the system number changed from 8749 to 8749A for 3149A controller.

Item, Length	Description / Location	Qty	Color	Equalizer Part No.
Kit	(Items listed below)	1		8749A
Pump	4-Function, Jacks	1		7837
Jacks (Front)	12,000 lbs, 16" Stroke	2		7835
Jacks (Rear)	17,500 lbs, 18" Stroke	2		7965
Touch Pad	Located to the left of the drivers seat	1		3103
AL Controller	Attached to bottom of structure	1		3149A
Harness	Connects Pump, Controller, & Touch Pad	1		6940
Hose Kit	Complete Set of Hoses	1		7964
Hose, 10'	LR Jack Bottom to RR Jack Bottom	1	Orange/Yellow Stripe	2465
Hose, 10'	LF Jack Bottom to RF Jack Bottom	1	Brown/White Stripe	2465
Hose, 12'	Pump to Jack, Left Front Top	1	Brown Solid	2467
Hose, 12'	Pump to Jack, Right Front Top	1	White Solid	2467
Hose, 14'	Pump to Jack, Right Front Bottom	1	White Stripe	2469
Hose, 36'	Pump to Jack, Left Rear Top	1	Orange Solid	2486
Hose, 36'	Pump to Jack, Right Rear Top	1	Yellow Solid	2486
Hose, 38'	Pump to Jack, Right Rear Bottom	1	Yellow Stripe	2488
Options				
Revisions				

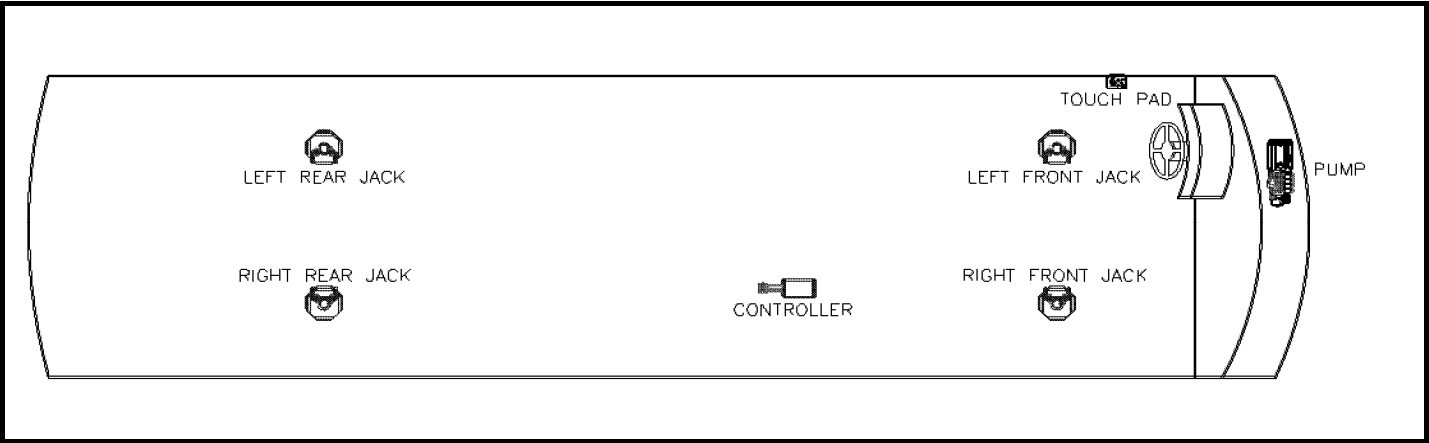
**MY2019 BAY STAR SPORT STANDARD ON: 2702, 2813, 3008, 3014, 3022, 3226, 3307
 MY2019 BAY STAR STANDARD ON: 3014, 3124, 3226, 3401, 3408, 3414, 3419, 3609, 3626, 3628**



Notes:
 For model year 2014, Equalizer will begin sending jacks to Newmar already assembled on the brackets.
 To order a replacement jack assembly use 7636
 In October of 2014 the system number changed from 8582B to 8582C
 on 7/26/16 system number was changed from 8582C to 8582D for 3149A controller
 On 11/30/16 hose Pump to Jack, Left Rear Top was changed from 30' to 32'
 On 10/2/18 changed system from 8582D to 8285E - Pump changed from 7770 to 7770KS.

Item, Length	Description / Location	Qty	Color	Equalizer Part No.
Kit	(Items listed below)	1		8582D
Pump	4-Function, Jacks	1		7770KS
Jack	7,500 lbs, 15" Stroke/Front Jacks	2		7850
Jack	7,500 lbs, 15" Stroke/Rear Jacks	2		7851
Touch Pad	Located to the left of the drivers seat	1		3103
AL Controller	Attached to bottom of structure	1		3149A
Harness	Connects Pump, Controller, & Touch Pad	1		6918
Hose Kit	Complete Set of Hoses	1		7762
Hose, 6'	Pump to Jack, Left Front Top	1	Brown Solid	2461
Hose, 8'	Pump to Jack, Left Front Bottom	1	Brown Stripe	2463
Hose, 8'	Pump to Jack, Right Front Top	1	White Solid	2463
Hose, 8'	LR Jack Bottom to RR Jack Bottom	1	Orange/Yellow Stripe	2463
Hose, 10'	LF Jack Bottom to RF Jack Bottom	1	Brown/White Stripe	2465
Hose, 34'	Pump to Jack, Left Rear Top	1	Orange Solid	2484
Hose, 32'	Pump to Jack, Right Rear Top	1	Yellow Solid	2482
Hose, 34'	Pump to Jack, Right Rear Bottom	1	Yellow Stripe	2484
Options				
Revisions				

**MY2019 CANYON STAR 3513, 3608, 3627, 3646, 3710, 3719, 3722, 3723, 3911, 3924, 3927
STANDARD ON ALL FLOOR PLANS LISTED**



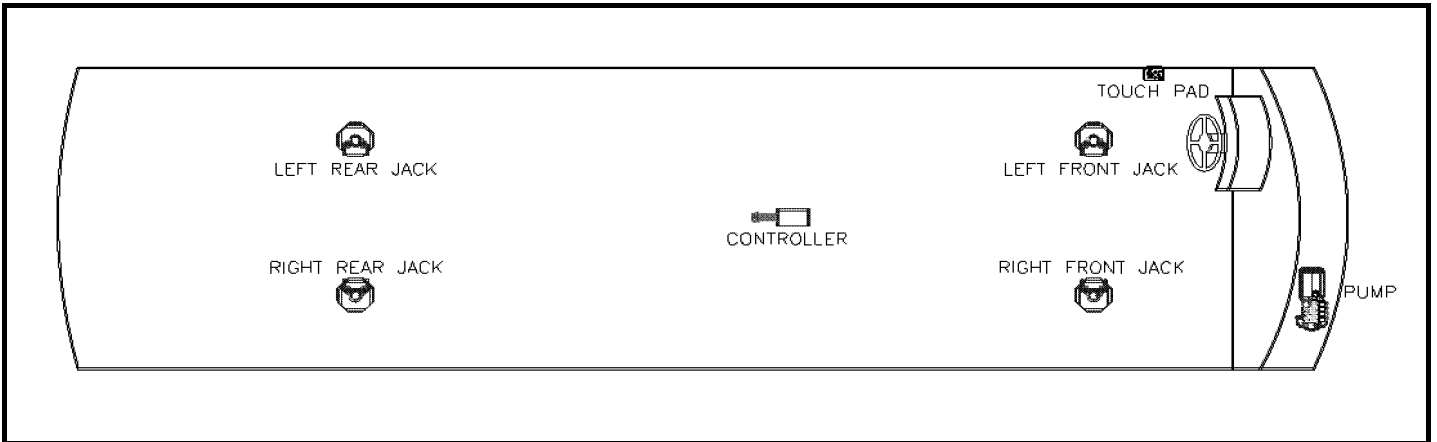
Notes:
 For model year 2014, Equalizer will begin sending jacks to Newmar already assembled on the brackets.
 To order a replacement jack assembly use 7636 for the front jacks and 7214 for the rear jacks.
 In October of 2014 the system number changed from 8612A to 8612B
 On 7/26/16 the system number changed from 8612B to 8612C for 3149A controller.
 On 10/2/18 the system number changed from 8612C to 8612D - Pump changed from 7770 to 7770KS

Item, Length	Description / Location	Qty	Color	Equalizer Part No.
Kit	(Items listed below)	1		8612C
Pump	4-Function, Jacks	1		7770KS
Jack	7,500 lbs, 15" Stroke/Front Jacks	2		7850
Jack	12,000 lbs, 16" Stroke/Rear Jacks	2		7852
Touch Pad	Located to the left of the drivers seat	1		3103
AL Controller	Attached to bottom of structure	1		3149A
Harness	Connects Pump, Controller, & Touch Pad	1		6918
Hose Kit	Complete Set of Hoses	1		7791
Hose, 6'	Pump to Jack, Left Front Top	1	Brown Solid	2461
Hose, 8'	Pump to Jack, Left Front Bottom	1	Brown Stripe	2463
Hose, 8'	Pump to Jack, Right Front Top	1	White Solid	2463
Hose, 8'	LR Jack Bottom to RR Jack Bottom	1	Orange/Yellow Stripe	2463
Hose, 10'	LF Jack Bottom to RF Jack Bottom	1	Brown/White Stripe	2465
Hose, 36'	Pump to Jack, Left Rear Top	1	Orange Solid	2486
Hose, 36'	Pump to Jack, Right Rear Top	1	Yellow Solid	2486
Hose, 38'	Pump to Jack, Right Rear Bottom	1	Yellow Stripe	2488

Options				

Revisions				

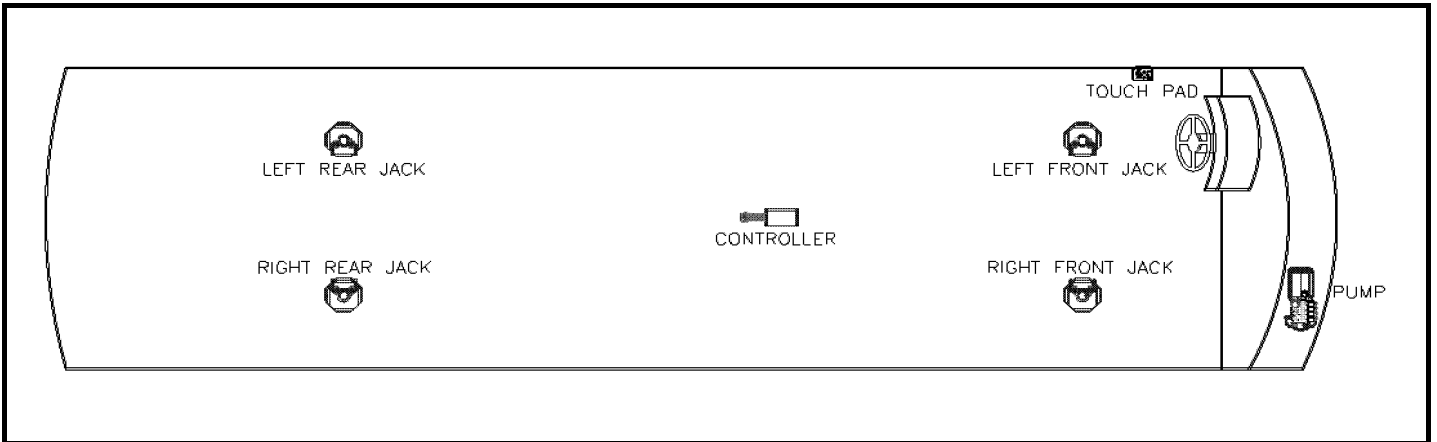
**MY2019 VENTANA LE 3412, 3426
STANDARD ON ALL FLOOR PLANS LISTED**



Notes:
 Jack assembly in list includes mount plate and hardware. To order a replacement jack assembly, use part number 7214.
 On 7/26/16 kit number was changed to 8642A with 3149A controller.

Item, Length	Description / Location	Qty	Color	Equalizer Part No.
Kit	(Items listed below)	1		8642A
Pump	4-Function, Jacks	1		7837
Jack	12,000 lbs, 16" Stroke	4		7835
Touch Pad	Located to the left of the drivers seat	1		3103
AL Controller	Attached to bottom of structure	1		3149A
Harness	Connects Pump, Controller, & Touch Pad	1		6940
Hose Kit	Complete Set of Hoses	1		7839
Hose, 10'	LR Jack Bottom to RR Jack Bottom	1	Orange/Yellow Stripe	2465
Hose, 10'	LF Jack Bottom to RF Jack Bottom	1	Brown/White Stripe	2465
Hose, 12'	Pump to Jack, Left Front Top	1	Brown Solid	2467
Hose, 12'	Pump to Jack, Right Front Top	1	White Solid	2467
Hose, 14'	Pump to Jack, Right Front Bottom	1	White Stripe	2469
Hose, 30'	Pump to Jack, Left Rear Top	1	Orange Solid	2527
Hose, 30'	Pump to Jack, Right Rear Top	1	Yellow Solid	2527
Hose, 32'	Pump to Jack, Right Rear Bottom	1	Yellow Stripe	2482
Options				
Revisions				

**MY2019 VENTANA LE 3709, 3717
STANDARD ON ALL FLOOR PLANS LISTED**



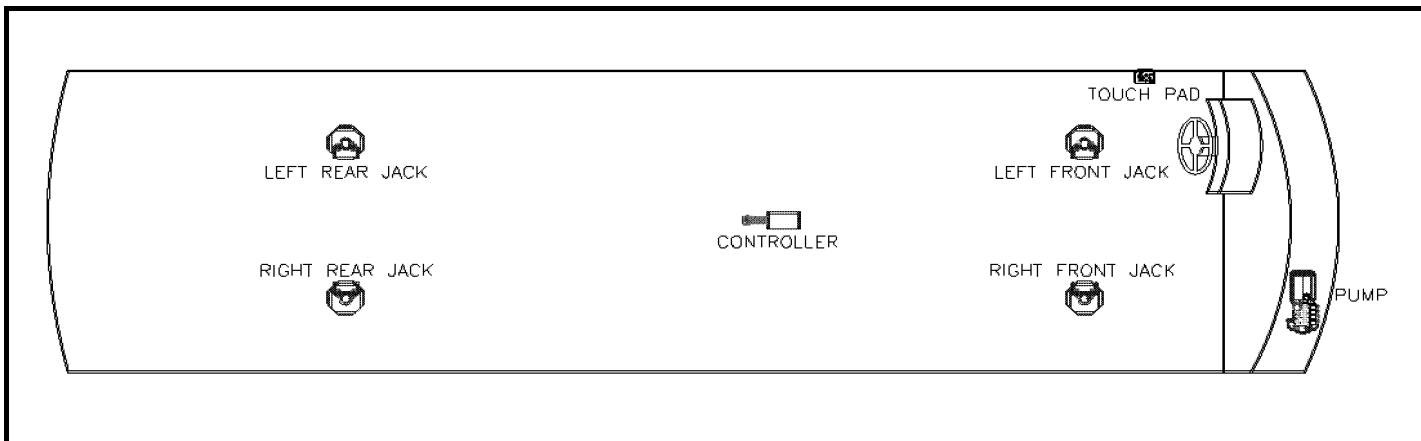
Notes:
 Jack assembly in list includes mount plate and hardware. To order a replacement jack assembly, use part number 7214.
 On 7/26/14 system number was changed from 8643 to 8643A for 3149A.

Item, Length	Description / Location	Qty	Color	Equalizer Part No.
Kit	(Items listed below)	1		8643A
Pump	4-Function, Jacks	1		7837
Jack	12,000 lbs, 16" Stroke	4		7835
Touch Pad	Located to the left of the drivers seat	1		3103
AL Controller	Attached to bottom of structure	1		3149A
Harness	Connects Pump, Controller, & Touch Pad	1		6940
Hose Kit	Complete Set of Hoses	1		7838
Hose, 10'	LR Jack Bottom to RR Jack Bottom	1	Orange/Yellow Stripe	2465
Hose, 10'	LF Jack Bottom to RF Jack Bottom	1	Brown/White Stripe	2465
Hose, 12'	Pump to Jack, Left Front Top	1	Brown Solid	2467
Hose, 12'	Pump to Jack, Right Front Top	1	White Solid	2467
Hose, 14'	Pump to Jack, Right Front Bottom	1	White Stripe	2469
Hose, 34'	Pump to Jack, Left Rear Top	1	Orange Solid	2484
Hose, 34'	Pump to Jack, Right Rear Top	1	Yellow Solid	2484
Hose, 36'	Pump to Jack, Right Rear Bottom	1	Yellow Stripe	2486

Options				

Revisions				

**MY2019 VENTANA LE 4002, 4037, 4045, 4048
STANDARD ON ALL FLOOR PLANS LISTED**



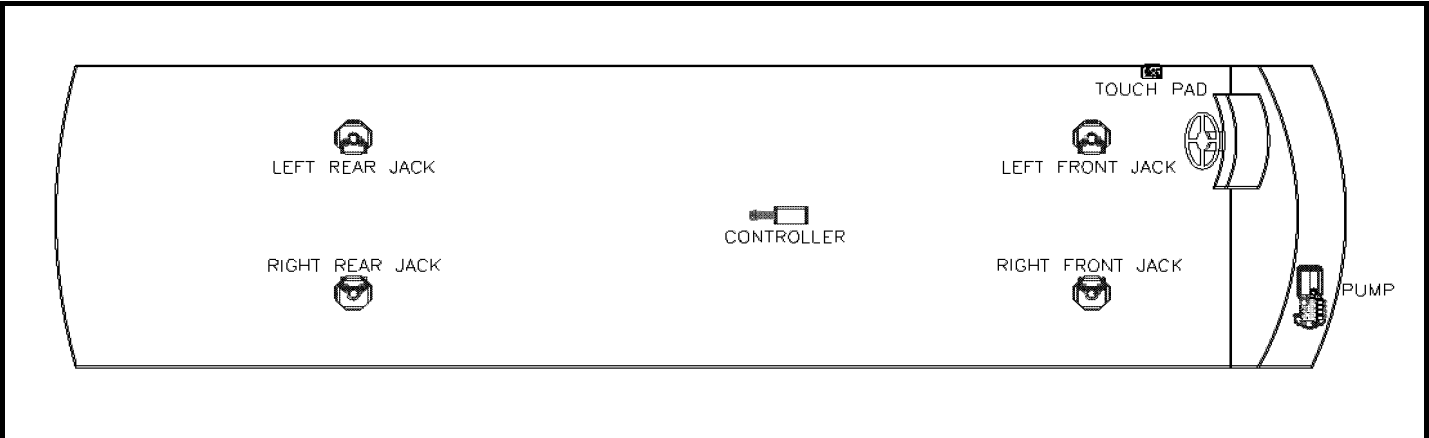
Notes:

Jack assemblies in list include mount plate and hardware. To order a replacement jack assembly, use part number 7214 for the front jacks and 7134 for the rear jacks.

On 7/26/16 the system number changed from 8749 to 8749A for 3149A controller.

Item, Length	Description / Location	Qty	Color	Equalizer Part No.
Kit	(Items listed below)	1		8749A
Pump	4-Function, Jacks	1		7837
Jacks (Front)	12,000 lbs, 16" Stroke	2		7835
Jacks (Rear)	17,500 lbs, 18" Stroke	2		7965
Touch Pad	Located to the left of the drivers seat	1		3103
AL Controller	Attached to bottom of structure	1		3149A
Harness	Connects Pump, Controller, & Touch Pad	1		6940
Hose Kit	Complete Set of Hoses	1		7964
Hose, 10'	LR Jack Bottom to RR Jack Bottom	1	Orange/Yellow Stripe	2465
Hose, 10'	LF Jack Bottom to RF Jack Bottom	1	Brown/White Stripe	2465
Hose, 12'	Pump to Jack, Left Front Top	1	Brown Solid	2467
Hose, 12'	Pump to Jack, Right Front Top	1	White Solid	2467
Hose, 14'	Pump to Jack, Right Front Bottom	1	White Stripe	2469
Hose, 36'	Pump to Jack, Left Rear Top	1	Orange Solid	2486
Hose, 36'	Pump to Jack, Right Rear Top	1	Yellow Solid	2486
Hose, 38'	Pump to Jack, Right Rear Bottom	1	Yellow Stripe	2488
Options				
Revisions				

**MY2019 VENTANA 3407, 3412, 3426
STANDARD ON ALL FLOOR PLANS LISTED**



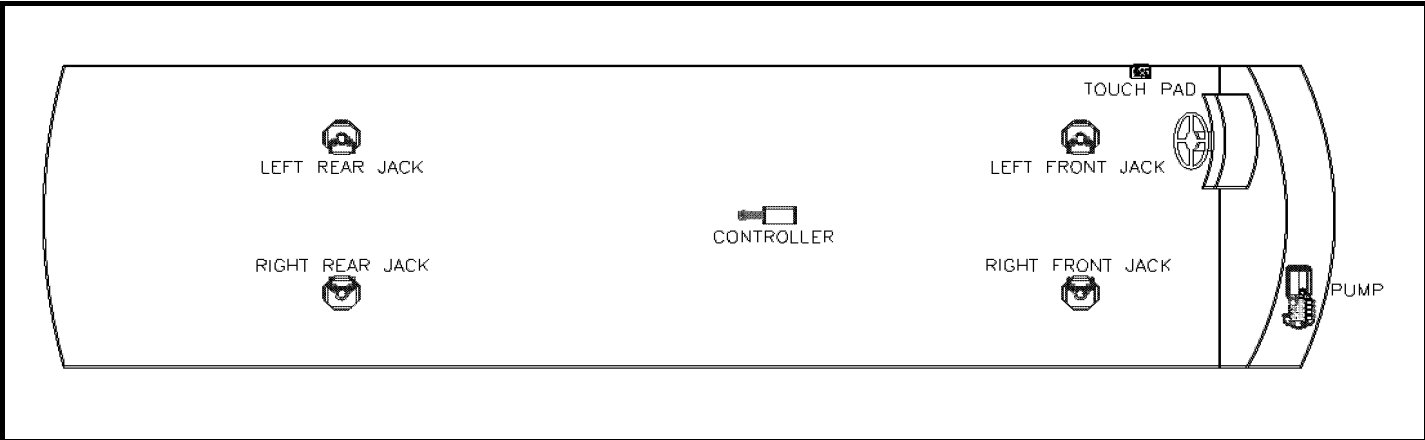
Notes:
 Jack assemblies in list include mount plate and hardware. To order a replacement jack assembly, use part number 7214 for a front jack, and 7134 for a rear jack.
 On 7/26/16 the system number changed from 8311 to 8311A for 3149A controller.

Item, Length	Description / Location	Qty	Color	Equalizer Part No.
Kit	(Items listed below)	1		8311A
Pump	4-Function, Jacks	1		7837
Jacks(Front)	12,000 lbs, 16" Stroke	2		7835
Jacks(Rear)	17,500 lbs, 18" Stroke	2		7965
Touch Pad	Located to the left of the drivers seat	1		3103
AL Controller	Attached to bottom of structure	1		3149A
Harness	Connects Pump, Controller, & Touch Pad	1		6940
Hose Kit	Complete Set of Hoses	1		7839
Hose, 10'	LR Jack Bottom to RR Jack Bottom	1	Orange/Yellow Stripe	2465
Hose, 10'	LF Jack Bottom to RF Jack Bottom	1	Brown/White Stripe	2465
Hose, 12'	Pump to Jack, Left Front Top	1	Brown Solid	2467
Hose, 12'	Pump to Jack, Right Front Top	1	White Solid	2467
Hose, 14'	Pump to Jack, Right Front Bottom	1	White Stripe	2469
Hose, 30'	Pump to Jack, Left Rear Top	1	Orange Solid	2527
Hose, 30'	Pump to Jack, Right Rear Top	1	Yellow Solid	2527
Hose, 32'	Pump to Jack, Right Rear Bottom	1	Yellow Stripe	2482

Options

Revisions

**MY2019 VENTANA 3709, 3717, 4002, 4037, 4054
STANDARD ON ALL FLOOR PLANS LISTED
FREIGHTLINER CHASSIS**



Notes:

Jack assemblies in list include mount plate and hardware. To order a replacement jack assembly, use part number 7214 for the front jacks, and 7134 for the rear jacks.

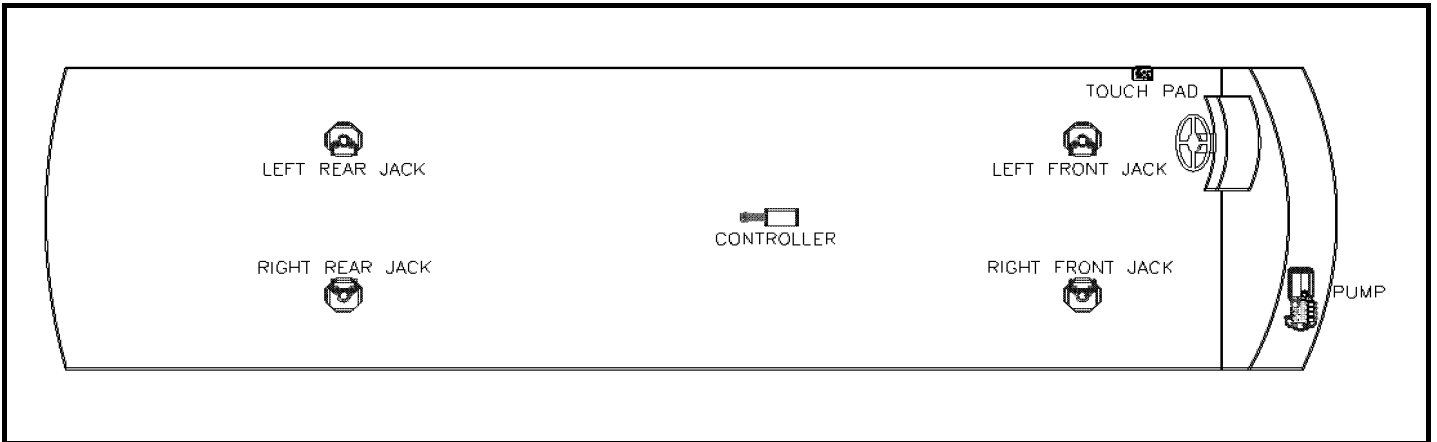
On 7/26/16 the system number changed from 8282 to 8282A for 3149A controller.

Item, Length	Description / Location	Qty	Color	Equalizer Part No.
Kit	(Items listed below)	1		8282A
Pump	4-Function, Jacks	1		7837
Jacks(Front)	12,000 lbs, 16" Stroke	2		7835
Jacks(Rear)	17,500 lbs, 18" Stroke	2		7965
Touch Pad	Located to the left of the drivers seat	1		3103
AL Controller	Attached to bottom of structure	1		3149A
Harness	Connects Pump, Controller, & Touch Pad	1		6940
Hose Kit	Complete Set of Hoses	1		7838
Hose, 10'	LR Jack Bottom to RR Jack Bottom	1	Orange/Yellow Stripe	2465
Hose, 10'	LF Jack Bottom to RF Jack Bottom	1	Brown/White Stripe	2465
Hose, 12'	Pump to Jack, Left Front Top	1	Brown Solid	2467
Hose, 12'	Pump to Jack, Right Front Top	1	White Solid	2467
Hose, 14'	Pump to Jack, Right Front Bottom	1	White Stripe	2469
Hose, 34'	Pump to Jack, Left Rear Top	1	Orange Solid	2484
Hose, 34'	Pump to Jack, Right Rear Top	1	Yellow Solid	2484
Hose, 36'	Pump to Jack, Right Rear Bottom	1	Yellow Stripe	2486

Options

Revisions

**MY2019 VENTANA 4002, 4037, 4054
STANDARD ON ALL FLOOR PLANS LISTED
SPARTAN CHASSIS**

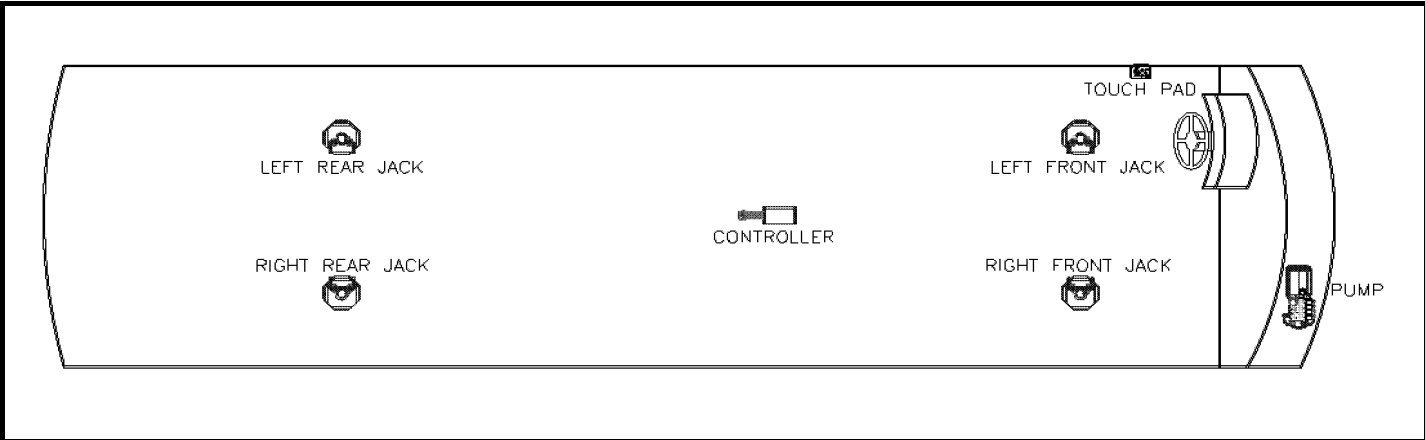


Notes:

Front jack assemblies in list include mount plate and hardware. To order a replacement jack assembly, use part number 7214.
System number originally incorrect, changed to 8245A as correct number.

Item, Length	Description / Location	Qty	Color	Equalizer Part No.
Kit	(Items listed below)	1		8245A
Pump	4-Function, Jacks	1		7837
Jacks(Front)	12,000 lbs, 16" Stroke	2		70119
Jacks(Rear)	17,500 lbs, 18" Stroke	2		7134
Touch Pad	Located to the left of the drivers seat	1		3103
AL Controller	Attached to bottom of structure	1		3149A
Harness	Connects Pump, Controller, & Touch Pad	1		6940
Hose Kit	Complete Set of Hoses	1		7838
Hose, 10'	LR Jack Bottom to RR Jack Bottom	1	Orange/Yellow Stripe	2465
Hose, 10'	LF Jack Bottom to RF Jack Bottom	1	Brown/White Stripe	2465
Hose, 12'	Pump to Jack, Left Front Top	1	Brown Solid	2467
Hose, 12'	Pump to Jack, Right Front Top	1	White Solid	2467
Hose, 14'	Pump to Jack, Right Front Bottom	1	White Stripe	2469
Hose, 34'	Pump to Jack, Left Rear Top	1	Orange Solid	2484
Hose, 34'	Pump to Jack, Right Rear Top	1	Yellow Solid	2484
Hose, 36'	Pump to Jack, Right Rear Bottom	1	Yellow Stripe	2486
Options				
Revisions				

**MY2019 VENTANA 4310, 4311, 4326, 4348, 4369
STANDARD ON ALL FLOOR PLANS LISTED
FREIGHTLINER CHASSIS**



Notes:

Jack assemblies in list include mount plate and hardware. To order a replacement jack assembly, use part number 7214 for the front jacks and 7134 for the rear jacks.

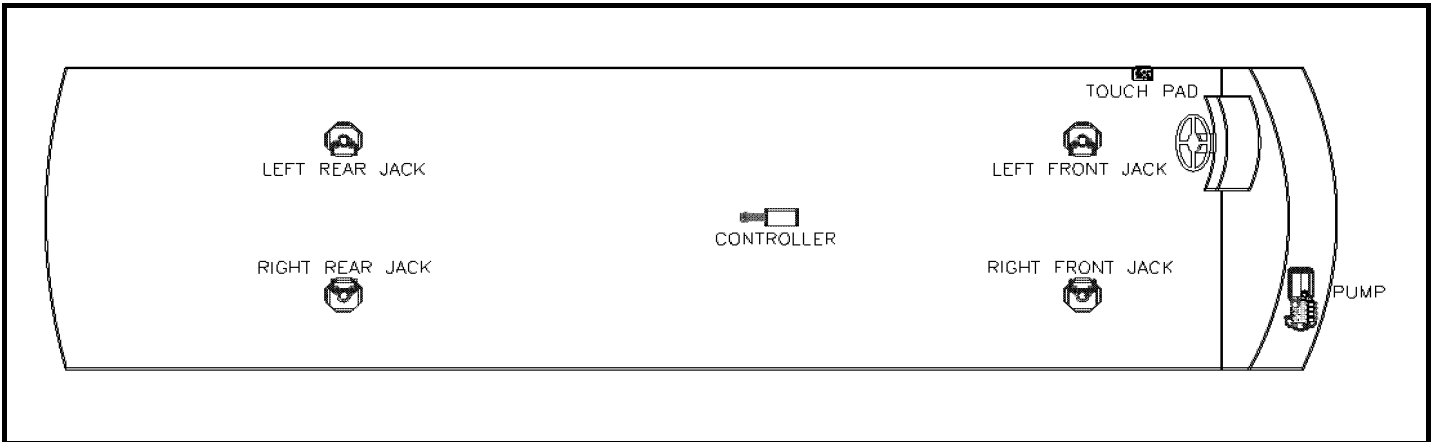
On 7/26/16 the system number changed from 8749 to 8749A for 3149A controller.

Item, Length	Description / Location	Qty	Color	Equalizer Part No.
Kit	(Items listed below)	1		8749A
Pump	4-Function, Jacks	1		7837
Jacks (Front)	12,000 lbs, 16" Stroke	2		7835
Jacks (Rear)	17,500 lbs, 18" Stroke	2		7965
Touch Pad	Located to the left of the drivers seat	1		3103
AL Controller	Attached to bottom of structure	1		3149A
Harness	Connects Pump, Controller, & Touch Pad	1		6940
Hose Kit	Complete Set of Hoses	1		7964
Hose, 10'	LR Jack Bottom to RR Jack Bottom	1	Orange/Yellow Stripe	2465
Hose, 10'	LF Jack Bottom to RF Jack Bottom	1	Brown/White Stripe	2465
Hose, 12'	Pump to Jack, Left Front Top	1	Brown Solid	2467
Hose, 12'	Pump to Jack, Right Front Top	1	White Solid	2467
Hose, 14'	Pump to Jack, Right Front Bottom	1	White Stripe	2469
Hose, 36'	Pump to Jack, Left Rear Top	1	Orange Solid	2486
Hose, 36'	Pump to Jack, Right Rear Top	1	Yellow Solid	2486
Hose, 38'	Pump to Jack, Right Rear Bottom	1	Yellow Stripe	2488

Options

Revisions

**MY2019 VENTANA 4310, 4311, 4326, 4348, 4369
STANDARD ON ALL FLOOR PLANS LISTED
SPARTAN CHASSIS**



Notes:
 Front jack assemblies in list include mount plate and hardware. To order a replacement jack assembly, use part number 7214.
 System number originally incorrect, changed to 8244A as correct number.

Item, Length	Description / Location	Qty	Color	Equalizer Part No.
Kit	(Items listed below)	1		8244A
Pump	4-Function, Jacks	1		7837
Jacks (Front)	12,000 lbs, 16" Stroke	2		70119
Jacks (Rear)	17,500 lbs, 18" Stroke	2		7134
Touch Pad	Located to the left of the drivers seat	1		3103
AL Controller	Attached to bottom of structure	1		3149A
Harness	Connects Pump, Controller, & Touch Pad	1		6940
Hose Kit	Complete Set of Hoses	1		7964
Hose, 10'	LR Jack Bottom to RR Jack Bottom	1	Orange/Yellow Stripe	2465
Hose, 10'	LF Jack Bottom to RF Jack Bottom	1	Brown/White Stripe	2465
Hose, 12'	Pump to Jack, Left Front Top	1	Brown Solid	2467
Hose, 12'	Pump to Jack, Right Front Top	1	White Solid	2467
Hose, 14'	Pump to Jack, Right Front Bottom	1	White Stripe	2469
Hose, 36'	Pump to Jack, Left Rear Top	1	Orange Solid	2486
Hose, 36'	Pump to Jack, Right Rear Top	1	Yellow Solid	2486
Hose, 38'	Pump to Jack, Right Rear Bottom	1	Yellow Stripe	2488
Options				
Revisions				

MY2020 BAY STAR SPORT STANDARD ON: 2702, 2722, 2813, 2905, 3008, 3014, 3022, 3112, 3226, 3306
 MY2020 BAY STAR STANDARD ON: 3005, 3114, 3124, 3226, 3312, 3401, 3408, 3414, 3609, 3616, 3626



Notes:

For model year 2014, Equalizer will begin sending jacks to Newmar already assembled on the brackets.

To order a replacement jack assembly use 7636

In October of 2014 the system number changed from 8582B to 8582C

on 7/26/16 system number was changed from 8582C to 8582D for 3149A controller

On 11/30/16 hose Pump to Jack, Left Rear Top was changed from 30' to 32'

On 10/2/18 changed system from 8582D to 8285E - Pump changed from 7770 to 7770KS.

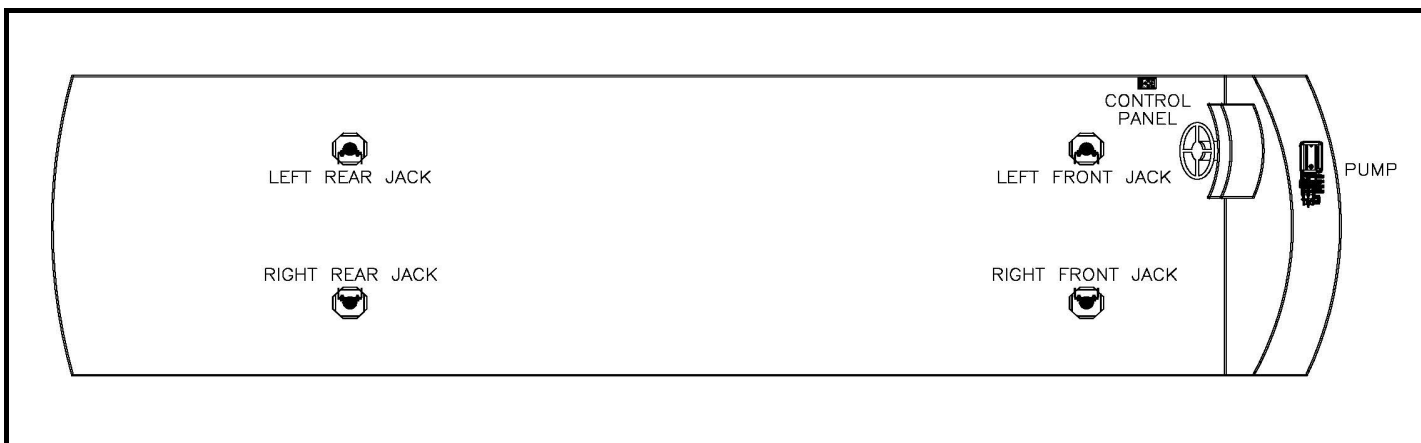
For model year 2020, longer jack brackets were included and system converted to EQ Smart Level

Item, Length	Description / Location	Qty	Color	Equalizer Part No.
Kit	(Items listed below)	1		8582F
Pump	4-Function, Jacks	1		7770KS
Jack	7,500 lbs, 15" Stroke/Front Jacks	2		7850A
Jack	7,500 lbs, 15" Stroke/Rear Jacks	2		7851A
Control Panel	Located to the left of the drivers seat	1		3149ASBT
Harness	Connects Pump & Control Panel	1		6179
Hose Kit	Complete Set of Hoses	1		7762
Hose, 6'	Pump to Jack, Left Front Top	1	Brown Solid	2461
Hose, 8'	Pump to Jack, Left Front Bottom	1	Brown Stripe	2463
Hose, 8'	Pump to Jack, Right Front Top	1	White Solid	2463
Hose, 8'	LR Jack Bottom to RR Jack Bottom	1	Orange/Yellow Stripe	2463
Hose, 10'	LF Jack Bottom to RF Jack Bottom	1	Brown/White Stripe	2465
Hose, 34'	Pump to Jack, Left Rear Top	1	Orange Solid	2484
Hose, 32'	Pump to Jack, Right Rear Top	1	Yellow Solid	2482
Hose, 34'	Pump to Jack, Right Rear Bottom	1	Yellow Stripe	2484

Options

Revisions

**MY2020 CANYON STAR 3513, 3627, 3710, 3719, 3722, 3747, 3911, 3927, 3929
STANDARD ON ALL FLOOR PLANS LISTED**



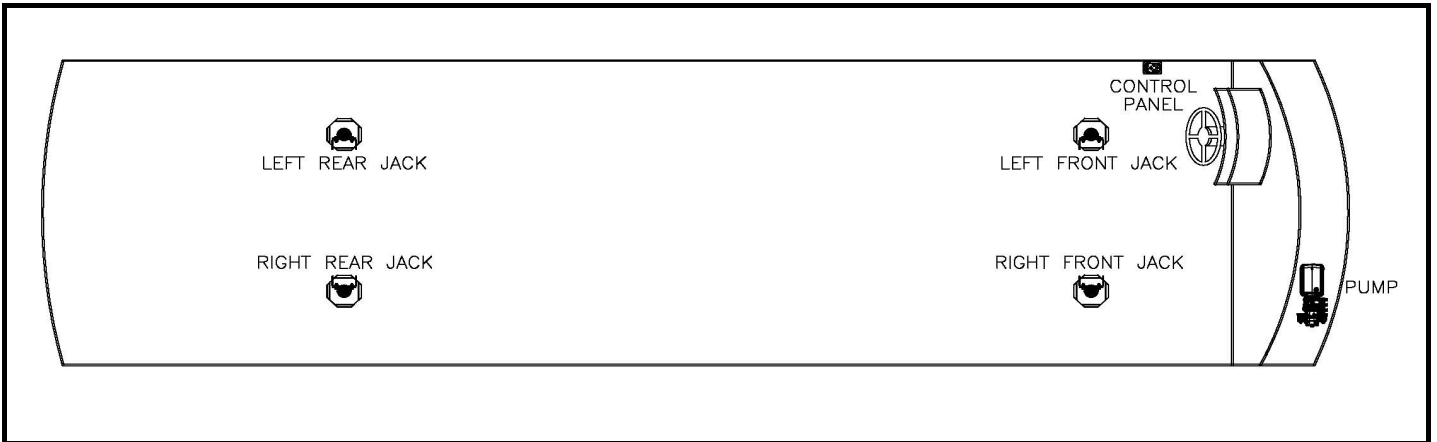
Notes:
 For model year 2014, Equalizer will begin sending jacks to Newmar already assembled on the brackets.
 To order a replacement jack assembly use 7636 for the front jacks and 7214 for the rear jacks.
 In October of 2014 the system number changed from 8612A to 8612B
 On 7/26/16 the system number changed from 8612B to 8612C for 3149A controller.
 On 10/2/18 the system number changed from 8612C to 8612D - Pump changed from 7770 to 7770KS
 For model year 2020, longer jack brackets were included and system covered to EQ Smart Level

Item, Length	Description / Location	Qty	Color	Equalizer Part No.
Kit	(Items listed below)	1		8612E
Pump	4-Function, Jacks	1		7770KS
Jack	7,500 lbs, 15" Stroke/Front Jacks	2		7850A
Jack	12,000 lbs, 16" Stroke/Rear Jacks	2		7852A
Control Panel	Located to the left of the drivers seat	1		3149ASBT
Harness	Connects Pump & Control Panel	1		6179
Hose Kit	Complete Set of Hoses	1		7791
Hose, 6'	Pump to Jack, Left Front Top	1	Brown Solid	2461
Hose, 8'	Pump to Jack, Left Front Bottom	1	Brown Stripe	2463
Hose, 8'	Pump to Jack, Right Front Top	1	White Solid	2463
Hose, 8'	LR Jack Bottom to RR Jack Bottom	1	Orange/Yellow Stripe	2463
Hose, 10'	LF Jack Bottom to RF Jack Bottom	1	Brown/White Stripe	2465
Hose, 36'	Pump to Jack, Left Rear Top	1	Orange Solid	2486
Hose, 36'	Pump to Jack, Right Rear Top	1	Yellow Solid	2486
Hose, 38'	Pump to Jack, Right Rear Bottom	1	Yellow Stripe	2488

Options				

Revisions				

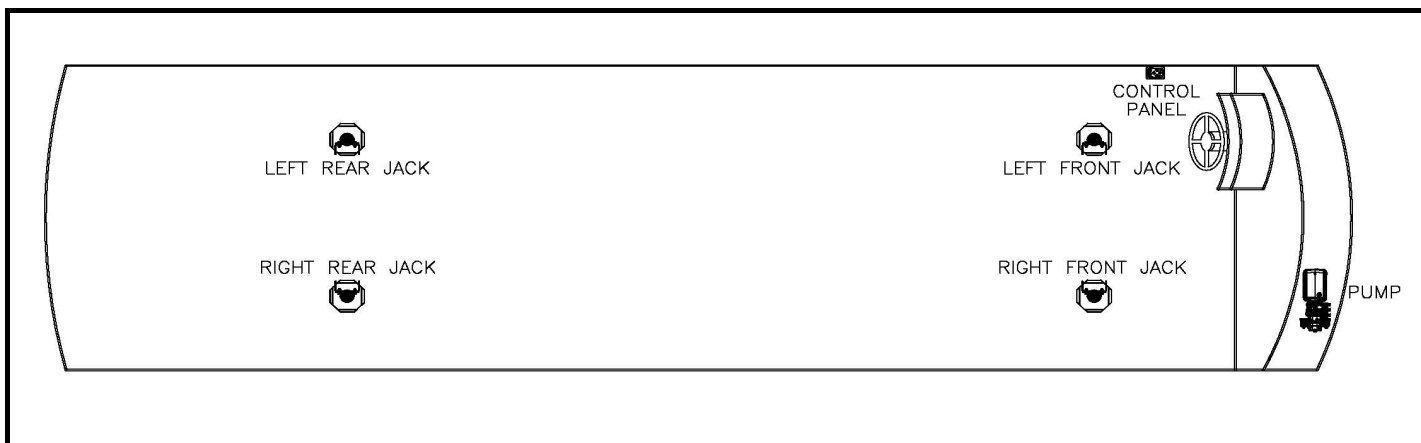
**MY2020 KOUNTRY STAR 3412, 3426
STANDARD ON ALL FLOOR PLANS LISTED**



Notes:
 Jack assembly in list includes mount plate and hardware. To order a replacement jack assembly, use part number 7214.
 On 7/26/16 kit number was changed to 8642A with 3149A controller.
 For 2020 model year, jack brackets changed, pump changed from 7837 to 7837KS, & changed to EQ Smart Level.

Item, Length	Description / Location	Qty	Color	Equalizer Part No.
Kit	(Items listed below)	1		8642B
Pump	4-Function, Jacks	1		7837KS
Jack	12,000 lbs, 16" Stroke	4		7835A
Control Panel	Located to the left of the drivers seat	1		3149ASBT
Harness	Connects Pump & Control Panel	1		6180
Hose Kit	Complete Set of Hoses	1		7839
Hose, 10'	LR Jack Bottom to RR Jack Bottom	1	Orange/Yellow Stripe	2465
Hose, 10'	LF Jack Bottom to RF Jack Bottom	1	Brown/White Stripe	2465
Hose, 12'	Pump to Jack, Left Front Top	1	Brown Solid	2467
Hose, 12'	Pump to Jack, Right Front Top	1	White Solid	2467
Hose, 14'	Pump to Jack, Right Front Bottom	1	White Stripe	2469
Hose, 30'	Pump to Jack, Left Rear Top	1	Orange Solid	2527
Hose, 30'	Pump to Jack, Right Rear Top	1	Yellow Solid	2527
Hose, 32'	Pump to Jack, Right Rear Bottom	1	Yellow Stripe	2482
Options				
Revisions				

**MY2020 KOUNTRY STAR 4002, 4037, 4045, 4054
STANDARD ON ALL FLOOR PLANS LISTED**



Notes:

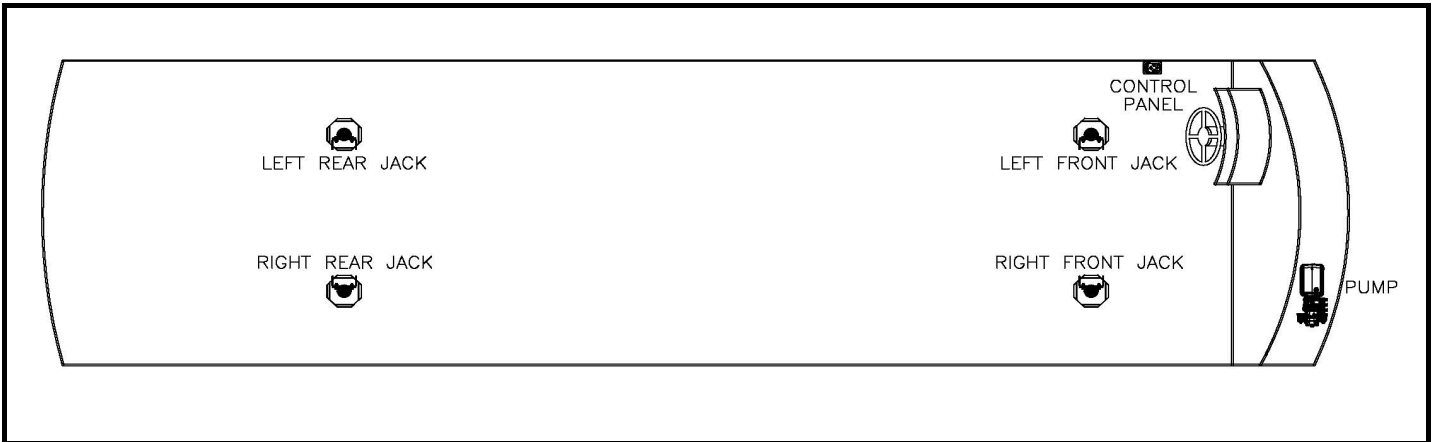
Jack assemblies in list include mount plate and hardware. To order a replacement jack assembly, use part number 7214 for the front jacks and 7134 for the rear jacks.

On 7/26/16 the system number changed from 8749 to 8749A for 3149A controller.

For 2020 model year, jack brackets changed, pump changed from 7837 to 7837KS, & changed to EQ Smart Level.

Item, Length	Description / Location	Qty	Color	Equalizer Part No.
Kit	(Items listed below)	1		8749B
Pump	4-Function, Jacks	1		7837KS
Jacks (Front)	12,000 lbs, 16" Stroke	2		7835A
Jacks (Rear)	17,500 lbs, 18" Stroke	2		7965A
Control Panel	Located to the left of the drivers seat	1		3149ASBT
Harness	Connects Pump & Control Panel	1		6180
Hose Kit	Complete Set of Hoses	1		7964
Hose, 10'	LR Jack Bottom to RR Jack Bottom	1	Orange/Yellow Stripe	2465
Hose, 10'	LF Jack Bottom to RF Jack Bottom	1	Brown/White Stripe	2465
Hose, 12'	Pump to Jack, Left Front Top	1	Brown Solid	2467
Hose, 12'	Pump to Jack, Right Front Top	1	White Solid	2467
Hose, 14'	Pump to Jack, Right Front Bottom	1	White Stripe	2469
Hose, 38'	Pump to Jack, Left Rear Top	1	Orange Solid	2488
Hose, 38'	Pump to Jack, Right Rear Top	1	Yellow Solid	2488
Hose, 38'	Pump to Jack, Right Rear Bottom	1	Yellow Stripe	2488
Options				
Revisions				

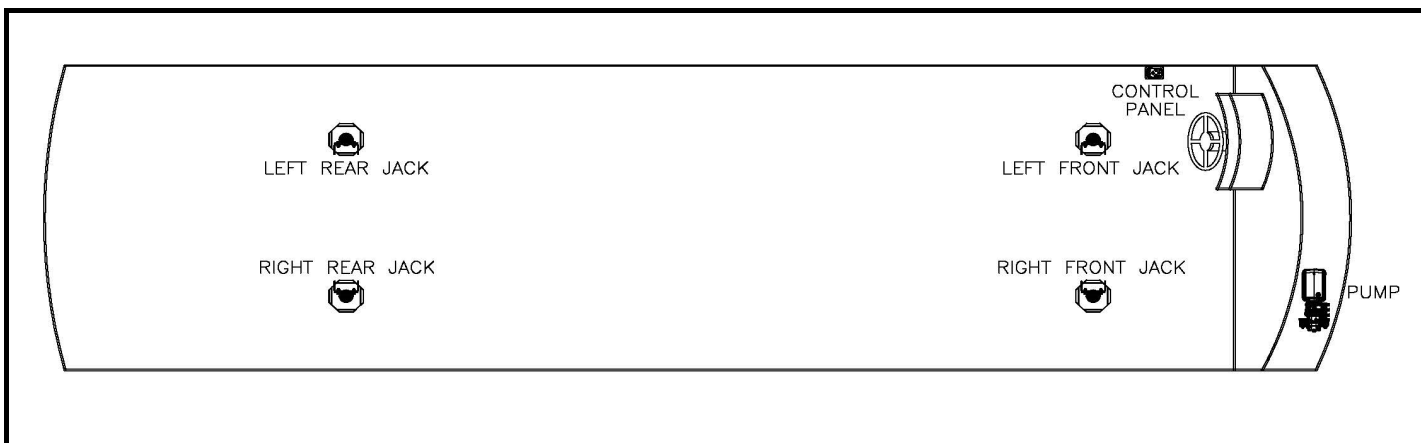
**MY2020 VENTANA 3407, 3412, 3426
STANDARD ON ALL FLOOR PLANS LISTED**



Notes:
 Jack assemblies in list include mount plate and hardware. To order a replacement jack assembly, use part number 7214 for a front jack, and 7134 for a rear jack.
 On 7/26/16 the system number changed from 8311 to 8311A for 3149A controller.
 For 2020 model year, jack brackets changed, pump changed from 7837 to 7837KS, & changed to EQ Smart Level.

Item, Length	Description / Location	Qty	Color	Equalizer Part No.
Kit	(Items listed below)	1		8311B
Pump	4-Function, Jacks	1		7837KS
Jacks(Front)	12,000 lbs, 16" Stroke	2		7835A
Jacks(Rear)	17,500 lbs, 18" Stroke	2		7965A
Control Panel	Located to the left of the drivers seat	1		3149ASBT
Harness	Connects Pump, Controller, & Touch Pad	1		6180
Hose Kit	Complete Set of Hoses	1		7839
Hose, 10'	LR Jack Bottom to RR Jack Bottom	1	Orange/Yellow Stripe	2465
Hose, 10'	LF Jack Bottom to RF Jack Bottom	1	Brown/White Stripe	2465
Hose, 12'	Pump to Jack, Left Front Top	1	Brown Solid	2467
Hose, 12'	Pump to Jack, Right Front Top	1	White Solid	2467
Hose, 14'	Pump to Jack, Right Front Bottom	1	White Stripe	2469
Hose, 30'	Pump to Jack, Left Rear Top	1	Orange Solid	2527
Hose, 30'	Pump to Jack, Right Rear Top	1	Yellow Solid	2527
Hose, 32'	Pump to Jack, Right Rear Bottom	1	Yellow Stripe	2482
Options				
Revisions				

**MY2020 VENTANA 3709, 3717, 4002, 4037, 4054
STANDARD ON ALL FLOOR PLANS LISTED
FREIGHTLINER CHASSIS**



Notes:

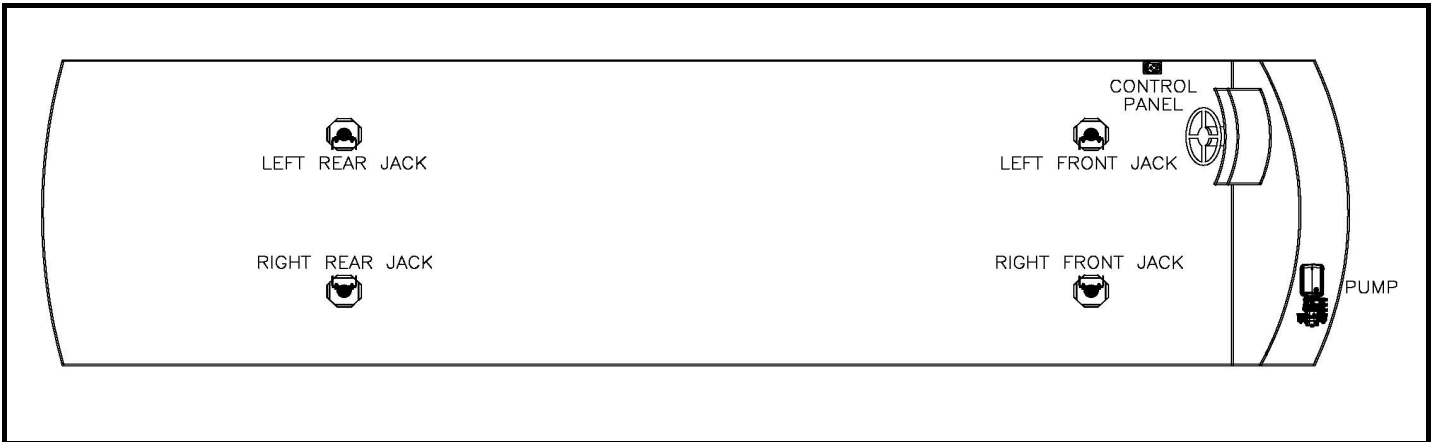
Jack assemblies in list include mount plate and hardware. To order a replacement jack assembly, use part number 7214 for the front jacks, and 7134 for the rear jacks.

On 7/26/16 the system number changed from 8282 to 8282A for 3149A controller.

For 2020 model year, jack brackets changed, pump changed from 7837 to 7837KS, & changed to EQ Smart Level.

Item, Length	Description / Location	Qty	Color	Equalizer Part No.
Kit	(Items listed below)	1		8282B
Pump	4-Function, Jacks	1		7837KS
Jacks(Front)	12,000 lbs, 16" Stroke	2		7835A
Jacks(Rear)	17,500 lbs, 18" Stroke	2		7965A
Control Panel	Located to the left of the drivers seat	1		3149ASBT
Harness	Connects Pump, Controller, & Touch Pad	1		6180
Hose Kit	Complete Set of Hoses	1		7838
Hose, 10'	LR Jack Bottom to RR Jack Bottom	1	Orange/Yellow Stripe	2465
Hose, 10'	LF Jack Bottom to RF Jack Bottom	1	Brown/White Stripe	2465
Hose, 12'	Pump to Jack, Left Front Top	1	Brown Solid	2467
Hose, 12'	Pump to Jack, Right Front Top	1	White Solid	2467
Hose, 14'	Pump to Jack, Right Front Bottom	1	White Stripe	2469
Hose, 34'	Pump to Jack, Left Rear Top	1	Orange Solid	2484
Hose, 34'	Pump to Jack, Right Rear Top	1	Yellow Solid	2484
Hose, 36'	Pump to Jack, Right Rear Bottom	1	Yellow Stripe	2486
Options				
Revisions				

**MY2020 VENTANA 4002, 4037, 4054
STANDARD ON ALL FLOOR PLANS LISTED
SPARTAN CHASSIS**



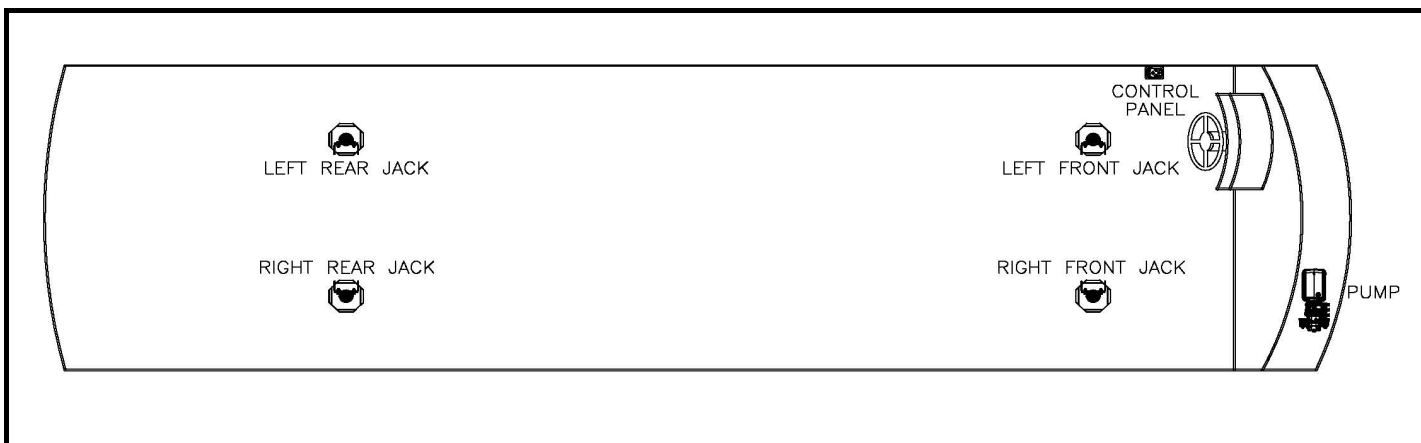
Notes:
 Front jack assemblies in list include mount plate and hardware. To order a replacement jack assembly, use part number 7214.
 System number originally incorrect, changed to 8245A as correct number.
 For 2020 model year pump changed from 7837 to 7837KS & changed to EQ Smart Level.

Item, Length	Description / Location	Qty	Color	Equalizer Part No.
Kit	(Items listed below)	1		8245B
Pump	4-Function, Jacks	1		7837KS
Jacks(Front)	12,000 lbs, 16" Stroke	2		70119
Jacks(Rear)	17,500 lbs, 18" Stroke	2		7134
Control Panel	Located to the left of the drivers seat	1		3149ASBT
Harness	Connects Pump & Control Panel	1		6180
Hose Kit	Complete Set of Hoses	1		7838
Hose, 10'	LR Jack Bottom to RR Jack Bottom	1	Orange/Yellow Stripe	2465
Hose, 10'	LF Jack Bottom to RF Jack Bottom	1	Brown/White Stripe	2465
Hose, 12'	Pump to Jack, Left Front Top	1	Brown Solid	2467
Hose, 12'	Pump to Jack, Right Front Top	1	White Solid	2467
Hose, 14'	Pump to Jack, Right Front Bottom	1	White Stripe	2469
Hose, 34'	Pump to Jack, Left Rear Top	1	Orange Solid	2484
Hose, 34'	Pump to Jack, Right Rear Top	1	Yellow Solid	2484
Hose, 36'	Pump to Jack, Right Rear Bottom	1	Yellow Stripe	2486

Options				

Revisions				

**MY2020 VENTANA 4311, 4326, 4348, 4362 4369
STANDARD ON ALL FLOOR PLANS LISTED
FREIGHTLINER CHASSIS**



Notes:

Jack assemblies in list include mount plate and hardware. To order a replacement jack assembly, use part number 7214 for the front jacks and 7134 for the rear jacks.

On 7/26/16 the system number changed from 8749 to 8749A for 3149A controller.

For 2020 model year, jack brackets changed, pump changed from 7837 to 7837KS, & changed to EQ Smart Level.

Item, Length	Description / Location	Qty	Color	Equalizer Part No.
Kit	(Items listed below)	1		8749B
Pump	4-Function, Jacks	1		7837KS
Jacks (Front)	12,000 lbs, 16" Stroke	2		7835A
Jacks (Rear)	17,500 lbs, 18" Stroke	2		7965A
Control Panel	Located to the left of the drivers seat	1		3149ASBT
Harness	Connects Pump, Controller, & Touch Pad	1		6180
Hose Kit	Complete Set of Hoses	1		7964
Hose, 10'	LR Jack Bottom to RR Jack Bottom	1	Orange/Yellow Stripe	2465
Hose, 10'	LF Jack Bottom to RF Jack Bottom	1	Brown/White Stripe	2465
Hose, 12'	Pump to Jack, Left Front Top	1	Brown Solid	2467
Hose, 12'	Pump to Jack, Right Front Top	1	White Solid	2467
Hose, 14'	Pump to Jack, Right Front Bottom	1	White Stripe	2469
Hose, 38'	Pump to Jack, Left Rear Top	1	Orange Solid	2488
Hose, 38'	Pump to Jack, Right Rear Top	1	Yellow Solid	2488
Hose, 38'	Pump to Jack, Right Rear Bottom	1	Yellow Stripe	2488

Options

Revisions



Notes:

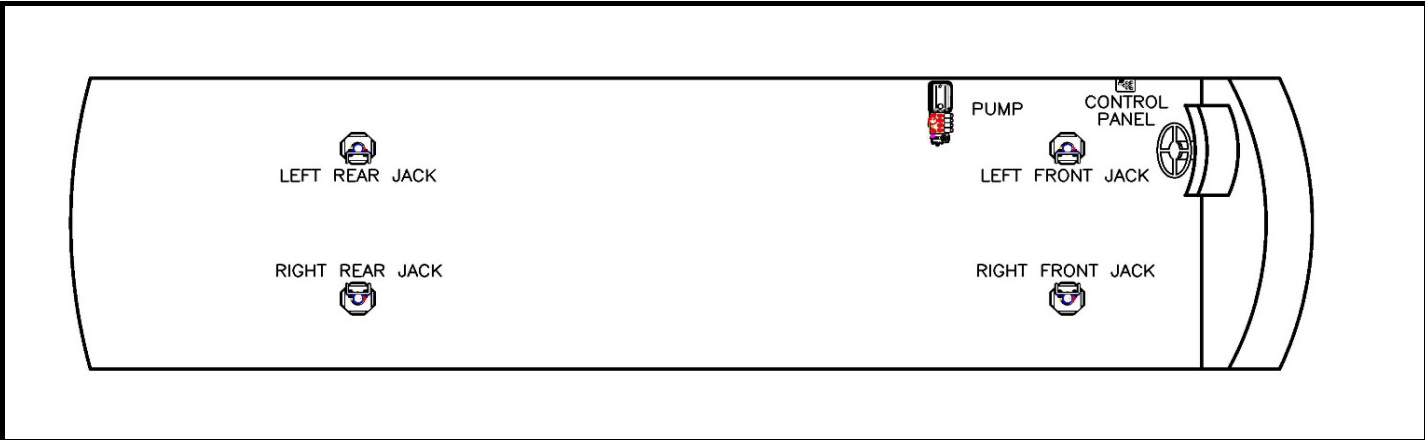
For model year 2014, Equalizer will begin sending jacks to Newmar already assembled on the brackets.
 To order a replacement jack assembly use 7636
 In October of 2014 the system number changed from 8582B to 8582C
 on 7/26/16 system number was changed from 8582C to 8582D for 3149A controller
 On 11/30/16 hose Pump to Jack, Left Rear Top was changed from 30' to 32'
 On 10/2/18 changed system from 8582D to 8285E - Pump changed from 7770 to 7770KS.
 For model year 2020, longer jack brackets were included and system covered to EQ Smart Level

Item, Length	Description / Location	Qty	Color	Equalizer Part No.
Kit	(Items listed below)	1		8582F
Pump	4-Function, Jacks	1		7770KS
Jack	7,500 lbs, 15" Stroke/Front Jacks	2		7850A
Jack	7,500 lbs, 15" Stroke/Rear Jacks	2		7851A
Control Panel	Located to the left of the drivers seat	1		3149ASBT
Harness	Connects Pump & Control Panel	1		6179
Hose Kit	Complete Set of Hoses	1		7762
Hose, 6'	Pump to Jack, Left Front Top	1	Brown Solid	2461
Hose, 8'	Pump to Jack, Left Front Bottom	1	Brown Stripe	2463
Hose, 8'	Pump to Jack, Right Front Top	1	White Solid	2463
Hose, 8'	LR Jack Bottom to RR Jack Bottom	1	Orange/Yellow Stripe	2463
Hose, 10'	LF Jack Bottom to RF Jack Bottom	1	Brown/White Stripe	2465
Hose, 34'	Pump to Jack, Left Rear Top	1	Orange Solid	2484
Hose, 32'	Pump to Jack, Right Rear Top	1	Yellow Solid	2482
Hose, 34'	Pump to Jack, Right Rear Bottom	1	Yellow Stripe	2484

Options

Revisions

**MY2021 CANYON STAR 3513, 3710, 3719, 3722, 3747, 3911, 3927, 3929
STANDARD ON ALL FLOOR PLANS LISTED**



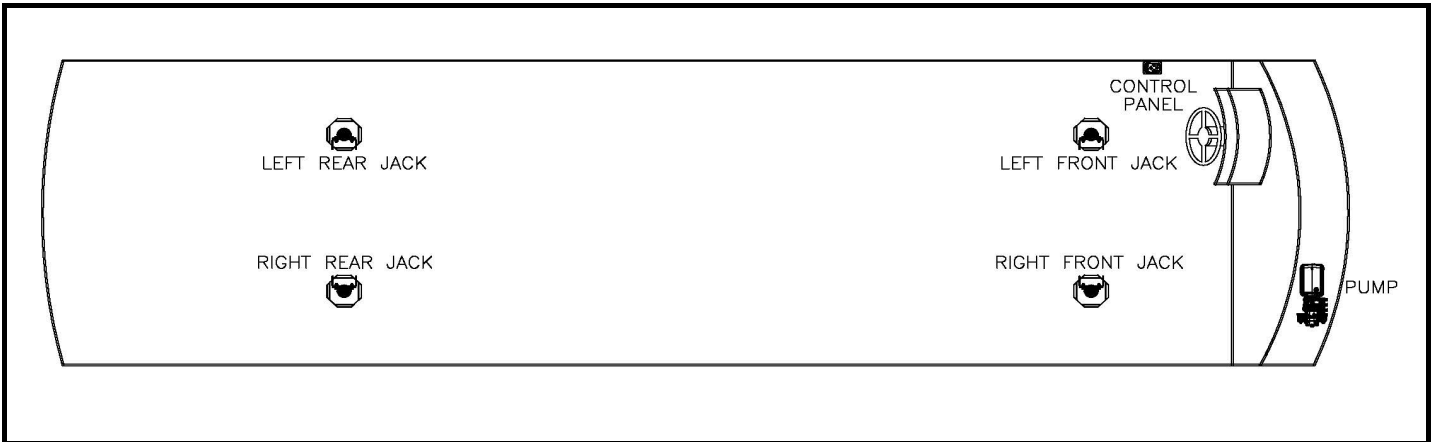
Notes:
 For model year 2021 chassis was changed from gas to front engine diesel. Jacks, harness, hoses, and pump changed.
 On 2/24/20 harness changed from 6180 to 6235
 On 7/31/20 orange and yellow hoses increased length by 2'.

Item, Length	Description / Location	Qty	Color	Equalizer Part No.
Kit	(Items listed below)	1		8846
Pump	4-Function, Jacks	1		7948KS
Jack	12,000 lbs, 16" Stroke/Front Jacks	2		70266
Jack	12,000 lbs, 16" Stroke/Rear Jacks	2		7852A
Control Panel	Located to the left of the drivers seat	1		3149ASBT
Harness	Connects Pump & Control Panel	1		6325
Hose Kit	Complete Set of Hoses	1		70264
Hose, 6'	Pump to Jack, Left Front Top	1	Brown Solid	2461
Hose, 8'	Pump to Jack, Left Front Bottom	1	Brown Stripe	2463
Hose, 8'	LR Jack Bottom to RR Jack Bottom	1	Orange/Yellow Stripe	2463
Hose, 10'	LF Jack Bottom to RF Jack Bottom	1	Brown/White Stripe	2465
Hose, 12'	Pump to Jack, Right Front Top	1	White Solid	2467
Hose, 28'	Pump to Jack, Left Rear Top	1	Orange Solid	2535
Hose, 30'	Pump to Jack, Left Rear Bottom	1	Orange Stripe	2527
Hose, 32'	Pump to Jack, Right Rear Top	1	Yellow Solid	2482

Options				

Revisions				

**MY2021 KOUNTRY STAR 3412, 3426
STANDARD ON ALL FLOOR PLANS LISTED**

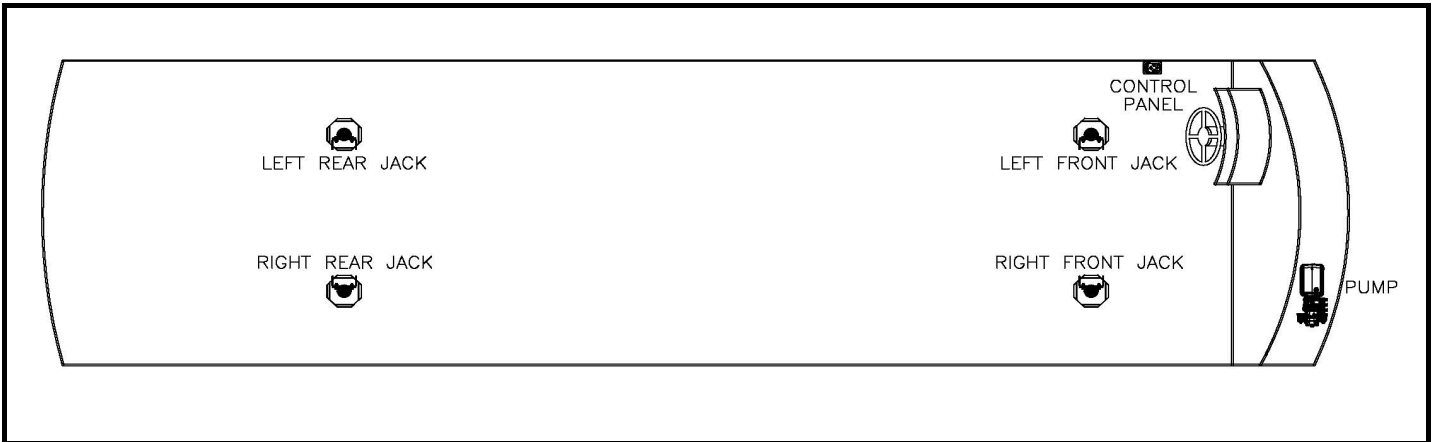


Notes:

Jack assembly in list includes mount plate and hardware. To order a replacement jack assembly, use part number 7214.
 On 7/26/16 kit number was changed to 8642A with 3149A controller.
 For 2020 model year, jack brackets changed, pump changed from 7837 to 7837KS, & changed to EQ Smart Level.

Item, Length	Description / Location	Qty	Color	Equalizer Part No.
Kit	(Items listed below)	1		8642B
Pump	4-Function, Jacks	1		7837KS
Jack	12,000 lbs, 16" Stroke	4		7835A
Control Panel	Located to the left of the drivers seat	1		3149ASBT
Harness	Connects Pump & Control Panel	1		6180
Hose Kit	Complete Set of Hoses	1		7839
Hose, 10'	LR Jack Bottom to RR Jack Bottom	1	Orange/Yellow Stripe	2465
Hose, 10'	LF Jack Bottom to RF Jack Bottom	1	Brown/White Stripe	2465
Hose, 12'	Pump to Jack, Left Front Top	1	Brown Solid	2467
Hose, 12'	Pump to Jack, Right Front Top	1	White Solid	2467
Hose, 14'	Pump to Jack, Right Front Bottom	1	White Stripe	2469
Hose, 30'	Pump to Jack, Left Rear Top	1	Orange Solid	2527
Hose, 30'	Pump to Jack, Right Rear Top	1	Yellow Solid	2527
Hose, 32'	Pump to Jack, Right Rear Bottom	1	Yellow Stripe	2482
Options				
Revisions				

**MY2021 KOUNTRY STAR 3709, 3717
STANDARD ON ALL FLOOR PLANS LISTED**

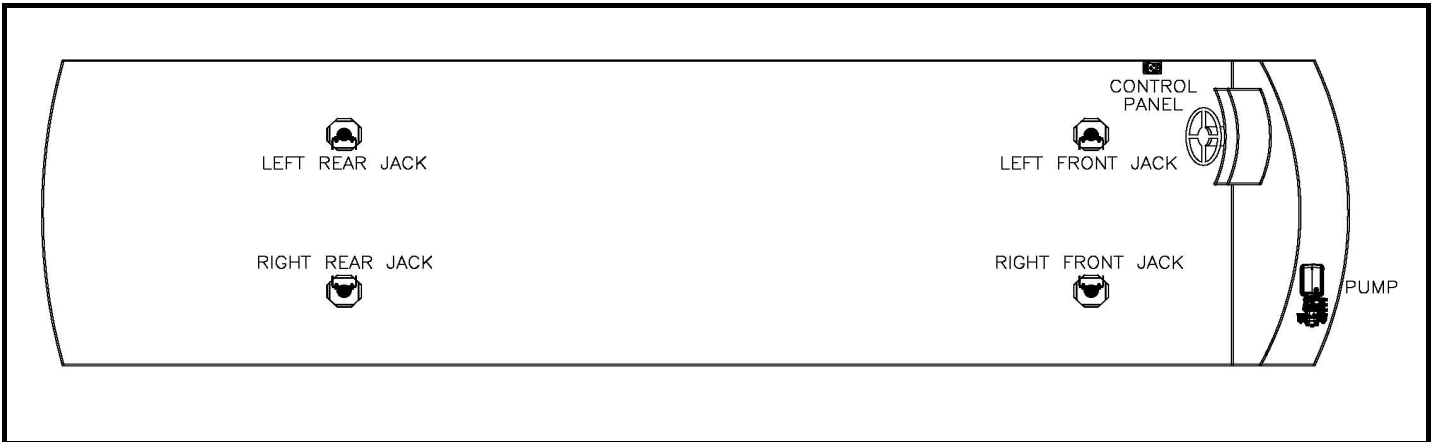


Notes:

Jack assembly in list includes mount plate and hardware. To order a replacement jack assembly, use part number 7214.
 On 7/26/14 system number was changed from 8643 to 8643A for 3149A.
 For 2020 model year, jack brackets changed, pump changed from 7837 to 7837KS, & changed to EQ Smart Level.

Item, Length	Description / Location	Qty	Color	Equalizer Part No.
Kit	(Items listed below)	1		8643B
Pump	4-Function, Jacks	1		7837KS
Jack	12,000 lbs, 16" Stroke	4		7835A
Control Panel	Located to the left of the drivers seat	1		3149ASBT
Harness	Connects Pump & Control Panel	1		6180
Hose Kit	Complete Set of Hoses	1		7838
Hose, 10'	LR Jack Bottom to RR Jack Bottom	1	Orange/Yellow Stripe	2465
Hose, 10'	LF Jack Bottom to RF Jack Bottom	1	Brown/White Stripe	2465
Hose, 12'	Pump to Jack, Left Front Top	1	Brown Solid	2467
Hose, 12'	Pump to Jack, Right Front Top	1	White Solid	2467
Hose, 14'	Pump to Jack, Right Front Bottom	1	White Stripe	2469
Hose, 34'	Pump to Jack, Left Rear Top	1	Orange Solid	2484
Hose, 34'	Pump to Jack, Right Rear Top	1	Yellow Solid	2484
Hose, 36'	Pump to Jack, Right Rear Bottom	1	Yellow Stripe	2486
Options				
Revisions				

**MY2021 KOUNTRY STAR 4002, 4011, 4037, 4045, 4067
STANDARD ON ALL FLOOR PLANS LISTED**



Notes:

Jack assemblies in list include mount plate and hardware. To order a replacement jack assembly, use part number 7214 for the front jacks and 7134 for the rear jacks.

On 7/26/16 the system number changed from 8749 to 8749A for 3149A controller.

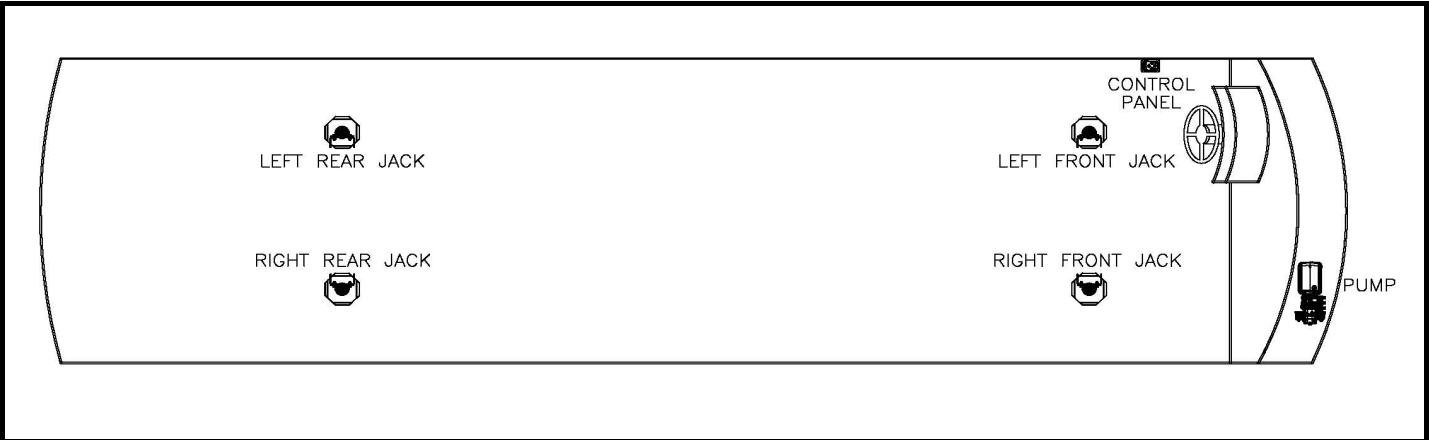
For 2020 model year, jack brackets changed, pump changed from 7837 to 7837KS, & changed to EQ Smart Level.

Item, Length	Description / Location	Qty	Color	Equalizer Part No.
Kit	(Items listed below)	1		8749B
Pump	4-Function, Jacks	1		7837KS
Jacks (Front)	12,000 lbs, 16" Stroke	2		7835A
Jacks (Rear)	17,500 lbs, 18" Stroke	2		7965A
Control Panel	Located to the left of the drivers seat	1		3149ASBT
Harness	Connects Pump & Control Panel	1		6180
Hose Kit	Complete Set of Hoses	1		7964
Hose, 10'	LR Jack Bottom to RR Jack Bottom	1	Orange/Yellow Stripe	2465
Hose, 10'	LF Jack Bottom to RF Jack Bottom	1	Brown/White Stripe	2465
Hose, 12'	Pump to Jack, Left Front Top	1	Brown Solid	2467
Hose, 12'	Pump to Jack, Right Front Top	1	White Solid	2467
Hose, 14'	Pump to Jack, Right Front Bottom	1	White Stripe	2469
Hose, 38'	Pump to Jack, Left Rear Top	1	Orange Solid	2488
Hose, 38'	Pump to Jack, Right Rear Top	1	Yellow Solid	2488
Hose, 38'	Pump to Jack, Right Rear Bottom	1	Yellow Stripe	2488

Options

Revisions

**MY2021 VENTANA 3407, 3412, 3426
STANDARD ON ALL FLOOR PLANS LISTED
FREIGHTLINER CHASSIS**



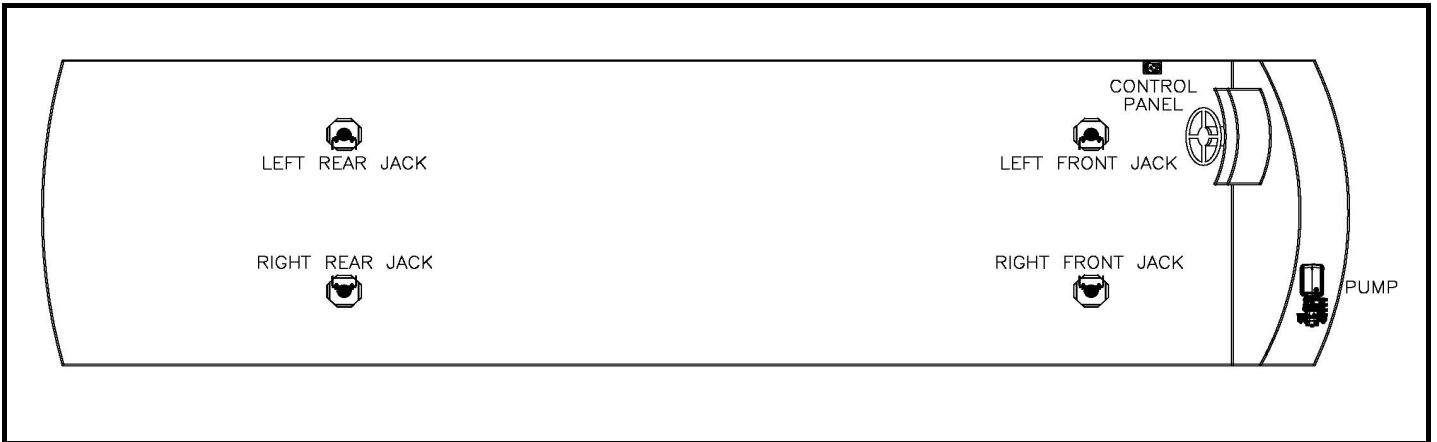
Notes:
 Jack assemblies in list include mount plate and hardware. To order a replacement jack assembly, use part number 7214 for a front jack, and 7134 for a rear jack.
 On 7/26/16 the system number changed from 8311 to 8311A for 3149A controller.
 For 2020 model year, jack brackets changed, pump changed from 7837 to 7837KS, & changed to EQ Smart Level.

Item, Length	Description / Location	Qty	Color	Equalizer Part No.
Kit	(Items listed below)	1		8311B
Pump	4-Function, Jacks	1		7837KS
Jacks(Front)	12,000 lbs, 16" Stroke	2		7835A
Jacks(Rear)	17,500 lbs, 18" Stroke	2		7965A
Control Panel	Located to the left of the drivers seat	1		3149ASBT
Harness	Connects Pump, Controller, & Touch Pad	1		6180
Hose Kit	Complete Set of Hoses	1		7839
Hose, 10'	LR Jack Bottom to RR Jack Bottom	1	Orange/Yellow Stripe	2465
Hose, 10'	LF Jack Bottom to RF Jack Bottom	1	Brown/White Stripe	2465
Hose, 12'	Pump to Jack, Left Front Top	1	Brown Solid	2467
Hose, 12'	Pump to Jack, Right Front Top	1	White Solid	2467
Hose, 14'	Pump to Jack, Right Front Bottom	1	White Stripe	2469
Hose, 30'	Pump to Jack, Left Rear Top	1	Orange Solid	2527
Hose, 30'	Pump to Jack, Right Rear Top	1	Yellow Solid	2527
Hose, 32'	Pump to Jack, Right Rear Bottom	1	Yellow Stripe	2482

Options				

Revisions				

**MY2021 VENTANA 3407, 3412, 3426
STANDARD ON ALL FLOOR PLANS LISTED
SPARTAN CHASSIS**



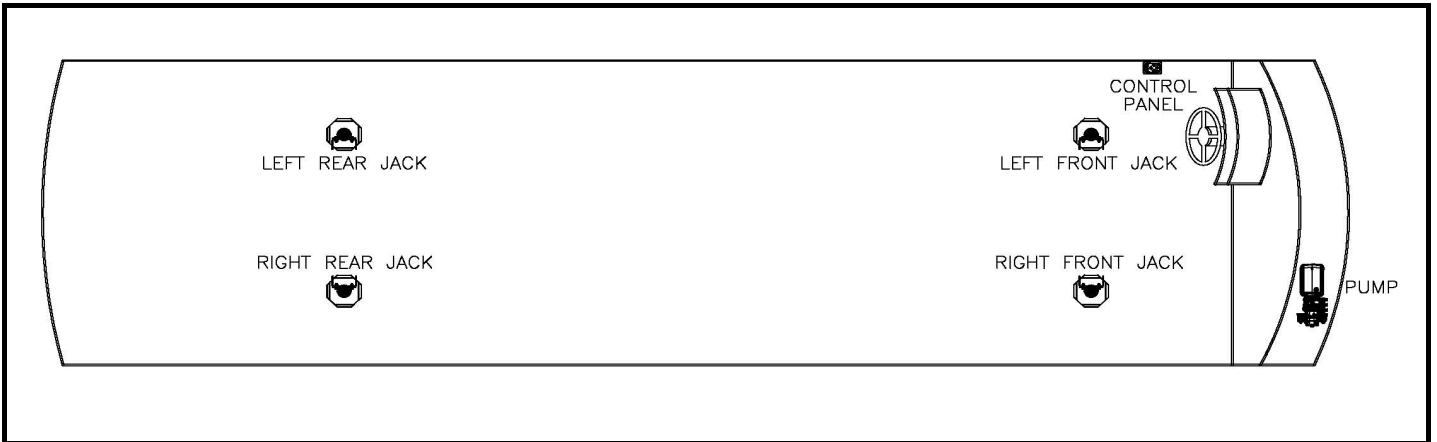
Notes:
Front jack assemblies in list include mount plate and hardware. To order a replacement jack assembly, use part number 7214.
System number changed to 8844A on 3-8-21. Rear jack assemblies now include brackets. To order replacement rear jack use part number 7134.

Item, Length	Description / Location	Qty	Color	Equalizer Part No.
Kit	(Items listed below)	1		8844A
Pump	4-Function, Jacks	1		7837KS
Jacks(Front)	12,000 lbs, 16" Stroke	2		70119
Jacks(Rear)	17,500 lbs, 18" Stroke	2		7865A
Control Panel	Located to the left of the drivers seat	1		3149ASBT
Harness	Connects Pump, Controller, & Touch Pad	1		6180
Hose Kit	Complete Set of Hoses	1		7839
Hose, 10'	LR Jack Bottom to RR Jack Bottom	1	Orange/Yellow Stripe	2465
Hose, 10'	LF Jack Bottom to RF Jack Bottom	1	Brown/White Stripe	2465
Hose, 12'	Pump to Jack, Left Front Top	1	Brown Solid	2467
Hose, 12'	Pump to Jack, Right Front Top	1	White Solid	2467
Hose, 14'	Pump to Jack, Right Front Bottom	1	White Stripe	2469
Hose, 30'	Pump to Jack, Left Rear Top	1	Orange Solid	2527
Hose, 30'	Pump to Jack, Right Rear Top	1	Yellow Solid	2527
Hose, 32'	Pump to Jack, Right Rear Bottom	1	Yellow Stripe	2482

Options

Revisions

**MY2021 VENTANA 3709, 3717, 4002, 4037
STANDARD ON ALL FLOOR PLANS LISTED
FREIGHTLINER CHASSIS**



Notes:

Jack assemblies in list include mount plate and hardware. To order a replacement jack assembly, use part number 7214 for the front jacks, and 7134 for the rear jacks.

On 7/26/16 the system number changed from 8282 to 8282A for 3149A controller.

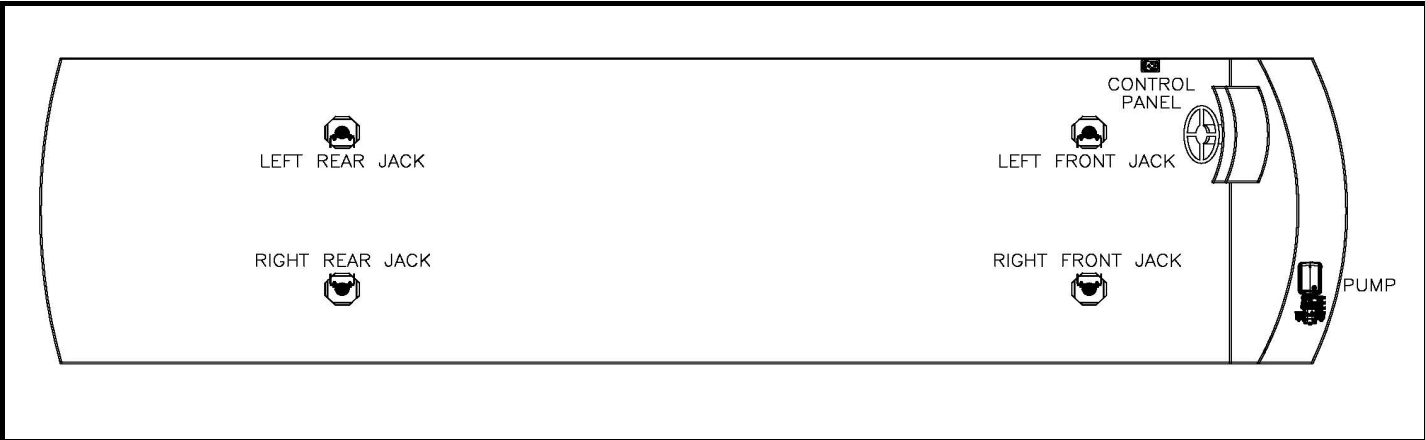
For 2020 model year, jack brackets changed, pump changed from 7837 to 7837KS, & changed to EQ Smart Level.

Item, Length	Description / Location	Qty	Color	Equalizer Part No.
Kit	(Items listed below)	1		8282B
Pump	4-Function, Jacks	1		7837KS
Jacks(Front)	12,000 lbs, 16" Stroke	2		7835A
Jacks(Rear)	17,500 lbs, 18" Stroke	2		7965A
Control Panel	Located to the left of the drivers seat	1		3149ASBT
Harness	Connects Pump, Controller, & Touch Pad	1		6180
Hose Kit	Complete Set of Hoses	1		7838
Hose, 10'	LR Jack Bottom to RR Jack Bottom	1	Orange/Yellow Stripe	2465
Hose, 10'	LF Jack Bottom to RF Jack Bottom	1	Brown/White Stripe	2465
Hose, 12'	Pump to Jack, Left Front Top	1	Brown Solid	2467
Hose, 12'	Pump to Jack, Right Front Top	1	White Solid	2467
Hose, 14'	Pump to Jack, Right Front Bottom	1	White Stripe	2469
Hose, 34'	Pump to Jack, Left Rear Top	1	Orange Solid	2484
Hose, 34'	Pump to Jack, Right Rear Top	1	Yellow Solid	2484
Hose, 36'	Pump to Jack, Right Rear Bottom	1	Yellow Stripe	2486

Options

Revisions

**MY2021 VENTANA 3709, 3717
STANDARD ON ALL FLOOR PLANS LISTED
SPARTAN CHASSIS**

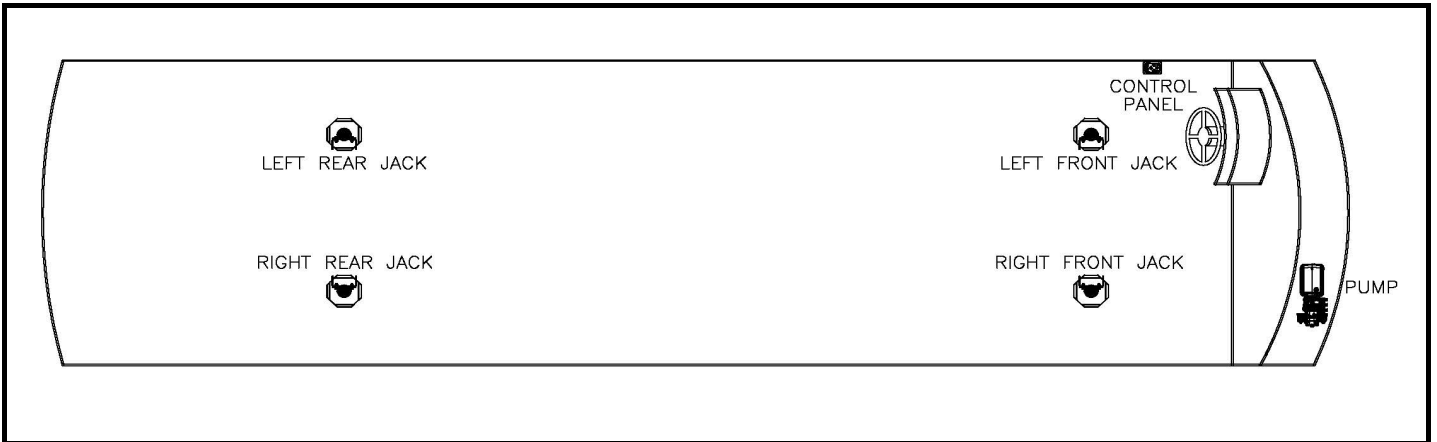


Notes:

Front jack assemblies in list include mount plate and hardware. To order a replacement jack assembly, use part number 7214.
 System number originally incorrect, changed to 8245A as correct number.
 For 2020 model year pump changed from 7837 to 7837KS & changed to EQ Smart Level.
 System number changed to 8979 on 3-8-21. Rear jack assemblies now include brackets. To order replacement rear jack use part number 7134.

Item, Length	Description / Location	Qty	Color	Equalizer Part No.
Kit	(Items listed below)	1		8979
Pump	4-Function, Jacks	1		7837KS
Jacks(Front)	12,000 lbs, 16" Stroke	2		70119
Jacks(Rear)	17,500 lbs, 18" Stroke	2		7965A
Control Panel	Located to the left of the drivers seat	1		3149ASBT
Harness	Connects Pump & Control Panel	1		6180
Hose Kit	Complete Set of Hoses	1		7838
Hose, 10'	LR Jack Bottom to RR Jack Bottom	1	Orange/Yellow Stripe	2465
Hose, 10'	LF Jack Bottom to RF Jack Bottom	1	Brown/White Stripe	2465
Hose, 12'	Pump to Jack, Left Front Top	1	Brown Solid	2467
Hose, 12'	Pump to Jack, Right Front Top	1	White Solid	2467
Hose, 14'	Pump to Jack, Right Front Bottom	1	White Stripe	2469
Hose, 34'	Pump to Jack, Left Rear Top	1	Orange Solid	2484
Hose, 34'	Pump to Jack, Right Rear Top	1	Yellow Solid	2484
Hose, 36'	Pump to Jack, Right Rear Bottom	1	Yellow Stripe	2486
Options				
Revisions				

**MY2021 VENTANA 4002, 4037
STANDARD ON ALL FLOOR PLANS LISTED
SPARTAN CHASSIS**



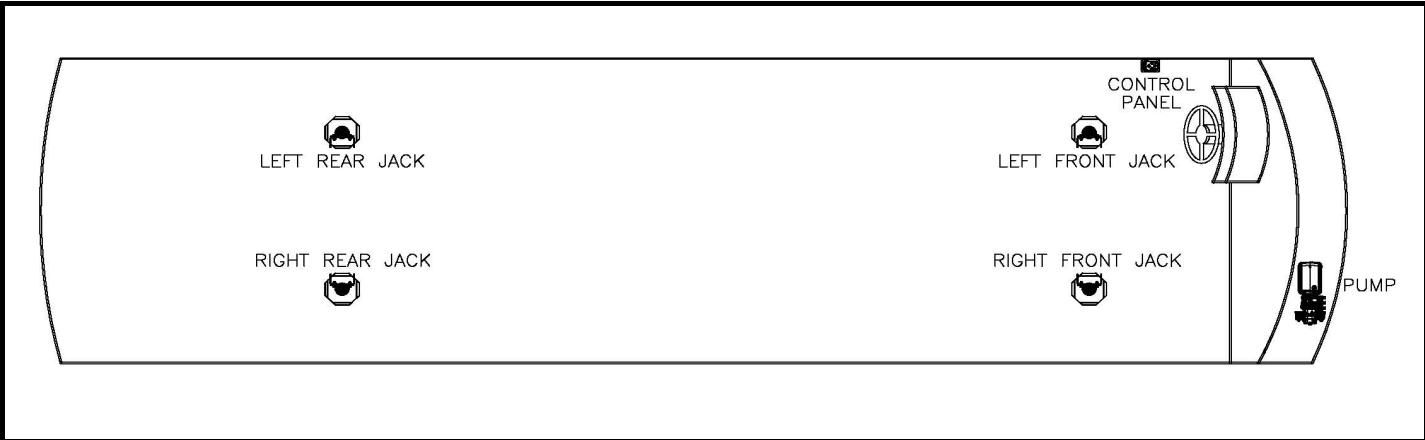
Notes:
 Front jack assemblies in list include mount plate and hardware. To order a replacement jack assembly, use part number 7214.
 System number originally incorrect, changed to 8245A as correct number.
 For 2020 model year pump changed from 7837 to 7837KS & changed to EQ Smart Level.

Item, Length	Description / Location	Qty	Color	Equalizer Part No.
Kit	(Items listed below)	1		8245B
Pump	4-Function, Jacks	1		7837KS
Jacks(Front)	12,000 lbs, 16" Stroke	2		70119
Jacks(Rear)	17,500 lbs, 18" Stroke	2		7134
Control Panel	Located to the left of the drivers seat	1		3149ASBT
Harness	Connects Pump & Control Panel	1		6180
Hose Kit	Complete Set of Hoses	1		7838
Hose, 10'	LR Jack Bottom to RR Jack Bottom	1	Orange/Yellow Stripe	2465
Hose, 10'	LF Jack Bottom to RF Jack Bottom	1	Brown/White Stripe	2465
Hose, 12'	Pump to Jack, Left Front Top	1	Brown Solid	2467
Hose, 12'	Pump to Jack, Right Front Top	1	White Solid	2467
Hose, 14'	Pump to Jack, Right Front Bottom	1	White Stripe	2469
Hose, 34'	Pump to Jack, Left Rear Top	1	Orange Solid	2484
Hose, 34'	Pump to Jack, Right Rear Top	1	Yellow Solid	2484
Hose, 36'	Pump to Jack, Right Rear Bottom	1	Yellow Stripe	2486

Options				

Revisions				

**MY2021 VENTANA 4311, 4326, 4329, 4354, 4362 4369
STANDARD ON ALL FLOOR PLANS LISTED
FREIGHTLINER CHASSIS**



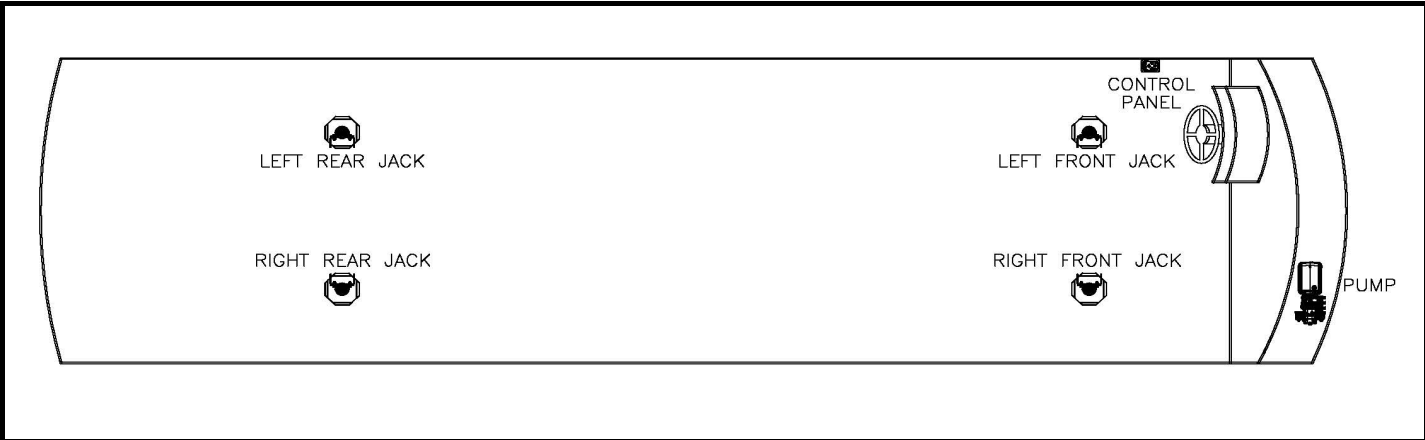
Notes:
 Jack assemblies in list include mount plate and hardware. To order a replacement jack assembly, use part number 7214 for the front jacks and 7134 for the rear jacks.
 On 7/26/16 the system number changed from 8749 to 8749A for 3149A controller.
 For 2020 model year, jack brackets changed, pump changed from 7837 to 7837KS, & changed to EQ Smart Level.

Item, Length	Description / Location	Qty	Color	Equalizer Part No.
Kit	(Items listed below)	1		8749B
Pump	4-Function, Jacks	1		7837KS
Jacks (Front)	12,000 lbs, 16" Stroke	2		7835A
Jacks (Rear)	17,500 lbs, 18" Stroke	2		7965A
Control Panel	Located to the left of the drivers seat	1		3149ASBT
Harness	Connects Pump, Controller, & Touch Pad	1		6180
Hose Kit	Complete Set of Hoses	1		7964
Hose, 10'	LR Jack Bottom to RR Jack Bottom	1	Orange/Yellow Stripe	2465
Hose, 10'	LF Jack Bottom to RF Jack Bottom	1	Brown/White Stripe	2465
Hose, 12'	Pump to Jack, Left Front Top	1	Brown Solid	2467
Hose, 12'	Pump to Jack, Right Front Top	1	White Solid	2467
Hose, 14'	Pump to Jack, Right Front Bottom	1	White Stripe	2469
Hose, 38'	Pump to Jack, Left Rear Top	1	Orange Solid	2488
Hose, 38'	Pump to Jack, Right Rear Top	1	Yellow Solid	2488
Hose, 38'	Pump to Jack, Right Rear Bottom	1	Yellow Stripe	2488

Options				

Revisions				

**MY2021 VENTANA 4311, 4326, 4329, 4354, 4362, 4369
STANDARD ON ALL FLOOR PLANS LISTED
SPARTAN CHASSIS**



Notes:
 Front jack assemblies in list include mount plate and hardware. To order a replacement jack assembly, use part number 7214.
 System number originally incorrect, changed to 8244A as correct number.
 For 2020 model year pump changed from 7837 to 7837KS & changed to EQ Smart Level.

Item, Length	Description / Location	Qty	Color	Equalizer Part No.
Kit	(Items listed below)	1		8244B
Pump	4-Function, Jacks	1		7837KS
Jacks (Front)	12,000 lbs, 16" Stroke	2		70119
Jacks (Rear)	17,500 lbs, 18" Stroke	2		7134
Control Panel	Located to the left of the drivers seat	1		3149ASBT
Harness	Connects Pump, Controller, & Touch Pad	1		6180
Hose Kit	Complete Set of Hoses	1		7964
Hose, 10'	LR Jack Bottom to RR Jack Bottom	1	Orange/Yellow Stripe	2465
Hose, 10'	LF Jack Bottom to RF Jack Bottom	1	Brown/White Stripe	2465
Hose, 12'	Pump to Jack, Left Front Top	1	Brown Solid	2467
Hose, 12'	Pump to Jack, Right Front Top	1	White Solid	2467
Hose, 14'	Pump to Jack, Right Front Bottom	1	White Stripe	2469
Hose, 38'	Pump to Jack, Left Rear Top	1	Orange Solid	2488
Hose, 38'	Pump to Jack, Right Rear Top	1	Yellow Solid	2488
Hose, 38'	Pump to Jack, Right Rear Bottom	1	Yellow Stripe	2488

Options				

Revisions				

**MY2022 BAY STAR SPORT STANDARD ON: 2702, 2813, 2905, 3014, 3022, 3226, 3315, 3316
 MY2022 BAY STAR STANDARD ON: 3005, 3014, 3124, 3226, 3401, 3408, 3416, 3609, 3616, 3626, 3811**



Notes:

For model year 2014, Equalizer will begin sending jacks to Newmar already assembled on the brackets.

To order a replacement jack assembly use 7636

In October of 2014 the system number changed from 8582B to 8582C

on 7/26/16 system number was changed from 8582C to 8582D for 3149A controller

On 11/30/16 hose Pump to Jack, Left Rear Top was changed from 30' to 32'

On 10/2/18 changed system from 8582D to 8285E - Pump changed from 7770 to 7770KS.

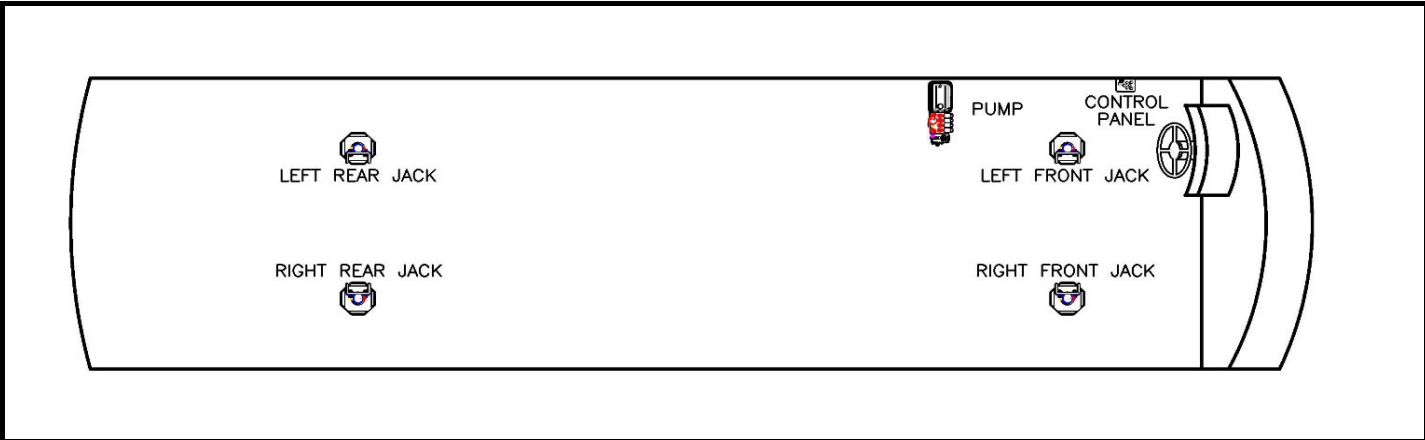
For model year 2020, longer jack brackets were included and system covered to EQ Smart Level

Item, Length	Description / Location	Qty	Color	Equalizer Part No.
Kit	(Items listed below)	1		8582F
Pump	4-Function, Jacks	1		7770KS
Jack	7,500 lbs, 15" Stroke/Front Jacks	2		7850A
Jack	7,500 lbs, 15" Stroke/Rear Jacks	2		7851A
Control Panel	Located to the left of the drivers seat	1		3149ASBT
Harness	Connects Pump & Control Panel	1		6179
Hose Kit	Complete Set of Hoses	1		7762
Hose, 6'	Pump to Jack, Left Front Top	1	Brown Solid	2461
Hose, 8'	Pump to Jack, Left Front Bottom	1	Brown Stripe	2463
Hose, 8'	Pump to Jack, Right Front Top	1	White Solid	2463
Hose, 8'	LR Jack Bottom to RR Jack Bottom	1	Orange/Yellow Stripe	2463
Hose, 10'	LF Jack Bottom to RF Jack Bottom	1	Brown/White Stripe	2465
Hose, 34'	Pump to Jack, Left Rear Top	1	Orange Solid	2484
Hose, 32'	Pump to Jack, Right Rear Top	1	Yellow Solid	2482
Hose, 34'	Pump to Jack, Right Rear Bottom	1	Yellow Stripe	2484

Options

Revisions

**MY2022 CANYON STAR 3513, 3710, 3722, 3927, 3929
STANDARD ON ALL FLOOR PLANS LISTED**



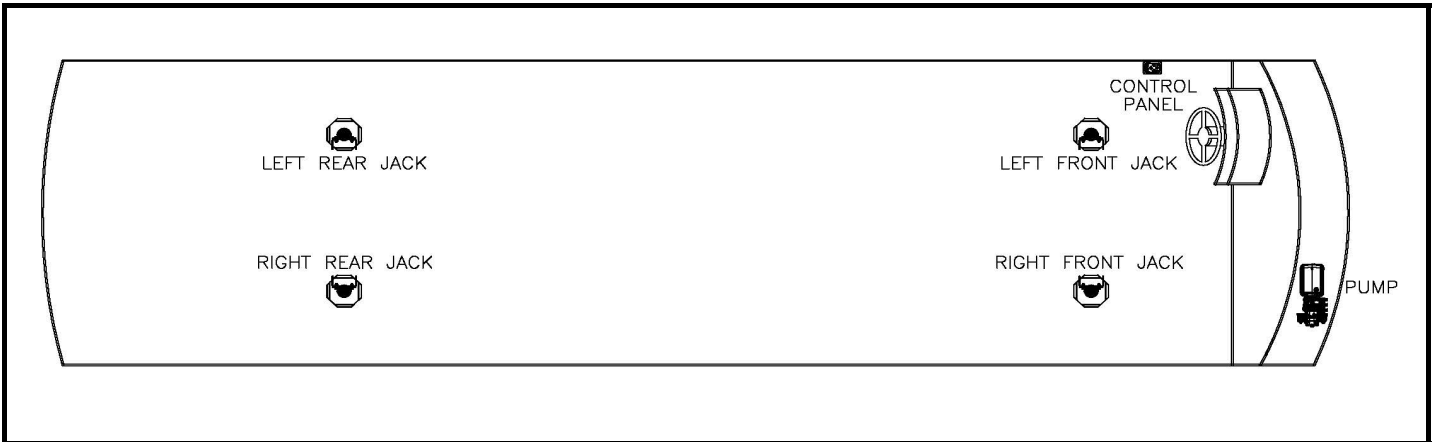
Notes:
 For model year 2021 chassis was changed from gas to front engine diesel. Jacks, harness, hoses, and pump changed.
 On 2/24/20 harness changed from 6180 to 6235
 On 7/31/20 orange and yellow hoses increased length by 2'.

Item, Length	Description / Location	Qty	Color	Equalizer Part No.
Kit	(Items listed below)	1		8846
Pump	4-Function, Jacks	1		7948KS
Jack	12,000 lbs, 16" Stroke/Front Jacks	2		70266
Jack	12,000 lbs, 16" Stroke/Rear Jacks	2		7852A
Control Panel	Located to the left of the drivers seat	1		3149ASBT
Harness	Connects Pump & Control Panel	1		6325
Hose Kit	Complete Set of Hoses	1		70264
Hose, 6'	Pump to Jack, Left Front Top	1	Brown Solid	2461
Hose, 8'	Pump to Jack, Left Front Bottom	1	Brown Stripe	2463
Hose, 8'	LR Jack Bottom to RR Jack Bottom	1	Orange/Yellow Stripe	2463
Hose, 10'	LF Jack Bottom to RF Jack Bottom	1	Brown/White Stripe	2465
Hose, 12'	Pump to Jack, Right Front Top	1	White Solid	2467
Hose, 28'	Pump to Jack, Left Rear Top	1	Orange Solid	2535
Hose, 30'	Pump to Jack, Left Rear Bottom	1	Orange Stripe	2527
Hose, 32'	Pump to Jack, Right Rear Top	1	Yellow Solid	2482

Options				

Revisions				

**MY2022 KOUNTRY STAR
3412, 3426
STANDARD ON ALL FLOOR PLANS LISTED**

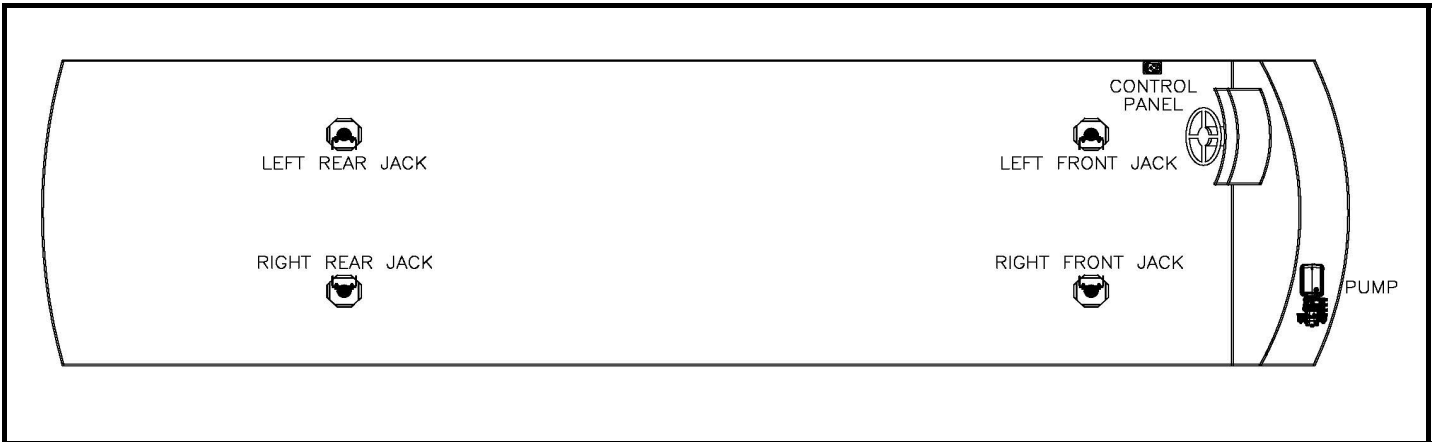


Notes:

Jack assembly in list includes mount plate and hardware. To order a replacement jack assembly, use part number 7214.
 On 7/26/16 kit number was changed to 8642A with 3149A controller.
 For 2020 model year, jack brackets changed, pump changed from 7837 to 7837KS, & changed to EQ Smart Level.

Item, Length	Description / Location	Qty	Color	Equalizer Part No.
Kit	(Items listed below)	1		8642B
Pump	4-Function, Jacks	1		7837KS
Jack	12,000 lbs, 16" Stroke	4		7835A
Control Panel	Located to the left of the drivers seat	1		3149ASBT
Harness	Connects Pump & Control Panel	1		6180
Hose Kit	Complete Set of Hoses	1		7839
Hose, 10'	LR Jack Bottom to RR Jack Bottom	1	Orange/Yellow Stripe	2465
Hose, 10'	LF Jack Bottom to RF Jack Bottom	1	Brown/White Stripe	2465
Hose, 12'	Pump to Jack, Left Front Top	1	Brown Solid	2467
Hose, 12'	Pump to Jack, Right Front Top	1	White Solid	2467
Hose, 14'	Pump to Jack, Right Front Bottom	1	White Stripe	2469
Hose, 30'	Pump to Jack, Left Rear Top	1	Orange Solid	2527
Hose, 30'	Pump to Jack, Right Rear Top	1	Yellow Solid	2527
Hose, 32'	Pump to Jack, Right Rear Bottom	1	Yellow Stripe	2482
Options				
Revisions				

**MY2022 KOUNTRY STAR 3709, 3717
STANDARD ON ALL FLOOR PLANS LISTED**

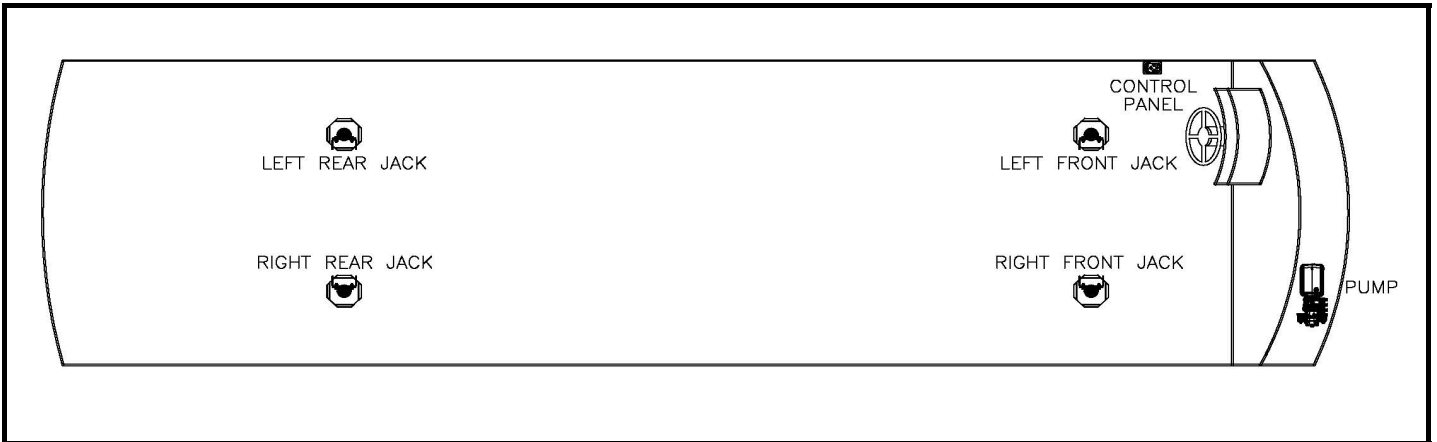


Notes:

Jack assembly in list includes mount plate and hardware. To order a replacement jack assembly, use part number 7214.
 On 7/26/14 system number was changed from 8643 to 8643A for 3149A.
 For 2020 model year, jack brackets changed, pump changed from 7837 to 7837KS, & changed to EQ Smart Level.

Item, Length	Description / Location	Qty	Color	Equalizer Part No.
Kit	(Items listed below)	1		8643B
Pump	4-Function, Jacks	1		7837KS
Jack	12,000 lbs, 16" Stroke	4		7835A
Control Panel	Located to the left of the drivers seat	1		3149ASBT
Harness	Connects Pump & Control Panel	1		6180
Hose Kit	Complete Set of Hoses	1		7838
Hose, 10'	LR Jack Bottom to RR Jack Bottom	1	Orange/Yellow Stripe	2465
Hose, 10'	LF Jack Bottom to RF Jack Bottom	1	Brown/White Stripe	2465
Hose, 12'	Pump to Jack, Left Front Top	1	Brown Solid	2467
Hose, 12'	Pump to Jack, Right Front Top	1	White Solid	2467
Hose, 14'	Pump to Jack, Right Front Bottom	1	White Stripe	2469
Hose, 34'	Pump to Jack, Left Rear Top	1	Orange Solid	2484
Hose, 34'	Pump to Jack, Right Rear Top	1	Yellow Solid	2484
Hose, 36'	Pump to Jack, Right Rear Bottom	1	Yellow Stripe	2486
Options				
Revisions				

**MY2022 KOUNTRY STAR 4002, 4011, 4037, 4045, 4067
STANDARD ON ALL FLOOR PLANS LISTED**



Notes:

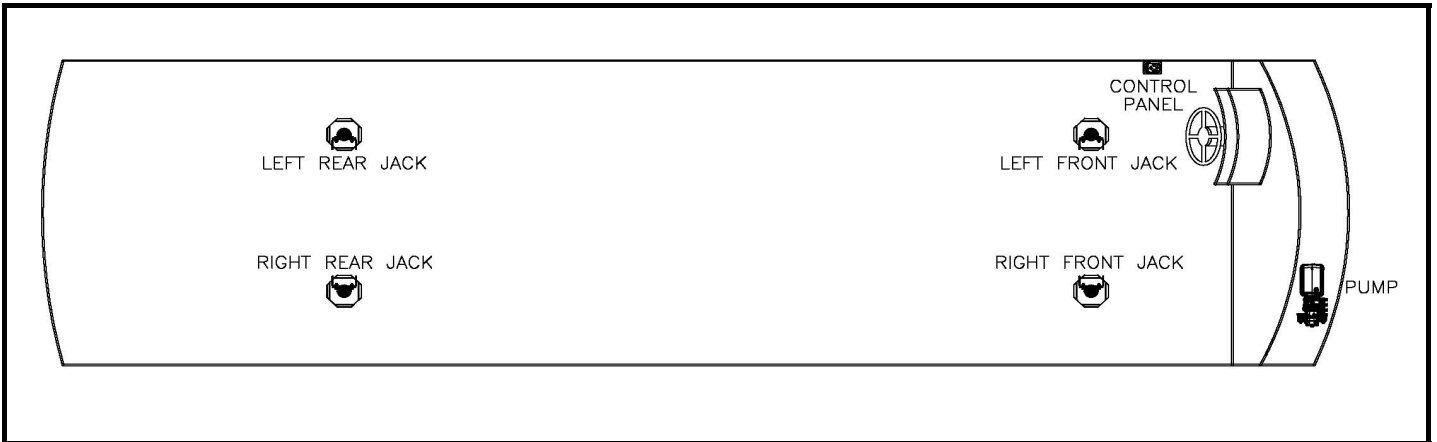
Jack assemblies in list include mount plate and hardware. To order a replacement jack assembly, use part number 7214 for the front jacks and 7134 for the rear jacks.

On 7/26/16 the system number changed from 8749 to 8749A for 3149A controller.

For 2020 model year, jack brackets changed, pump changed from 7837 to 7837KS, & changed to EQ Smart Level.

Item, Length	Description / Location	Qty	Color	Equalizer Part No.
Kit	(Items listed below)	1		8749B
Pump	4-Function, Jacks	1		7837KS
Jacks (Front)	12,000 lbs, 16" Stroke	2		7835A
Jacks (Rear)	17,500 lbs, 18" Stroke	2		7965A
Control Panel	Located to the left of the drivers seat	1		3149ASBT
Harness	Connects Pump & Control Panel	1		6180
Hose Kit	Complete Set of Hoses	1		7964
Hose, 10'	LR Jack Bottom to RR Jack Bottom	1	Orange/Yellow Stripe	2465
Hose, 10'	LF Jack Bottom to RF Jack Bottom	1	Brown/White Stripe	2465
Hose, 12'	Pump to Jack, Left Front Top	1	Brown Solid	2467
Hose, 12'	Pump to Jack, Right Front Top	1	White Solid	2467
Hose, 14'	Pump to Jack, Right Front Bottom	1	White Stripe	2469
Hose, 38'	Pump to Jack, Left Rear Top	1	Orange Solid	2488
Hose, 38'	Pump to Jack, Right Rear Top	1	Yellow Solid	2488
Hose, 38'	Pump to Jack, Right Rear Bottom	1	Yellow Stripe	2488
Options				
Revisions				

**MY2022 VENTANA 3407, 3412, 3426
STANDARD ON ALL FLOOR PLANS LISTED
FREIGHTLINER CHASSIS**



Notes:

Jack assemblies in list include mount plate and hardware. To order a replacement jack assembly, use part number 7214 for a front jack, and 7134 for a rear jack.

On 7/26/16 the system number changed from 8311 to 8311A for 3149A controller.

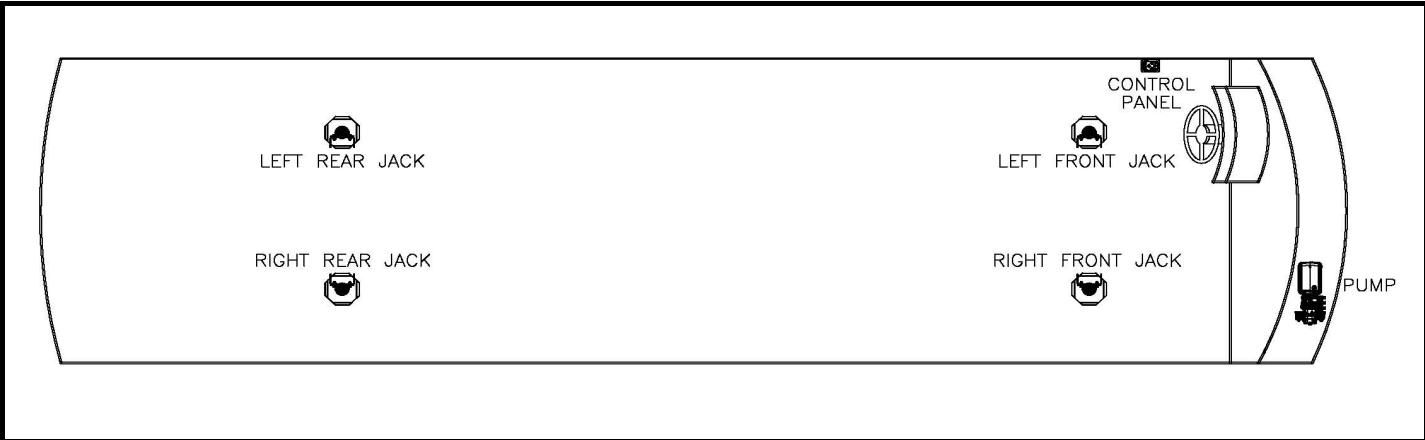
For 2020 model year, jack brackets changed, pump changed from 7837 to 7837KS, & changed to EQ Smart Level.

Item, Length	Description / Location	Qty	Color	Equalizer Part No.
Kit	(Items listed below)	1		8311B
Pump	4-Function, Jacks	1		7837KS
Jacks(Front)	12,000 lbs, 16" Stroke	2		7835A
Jacks(Rear)	17,500 lbs, 18" Stroke	2		7965A
Control Panel	Located to the left of the drivers seat	1		3149ASBT
Harness	Connects Pump, Controller, & Touch Pad	1		6180
Hose Kit	Complete Set of Hoses	1		7839
Hose, 10'	LR Jack Bottom to RR Jack Bottom	1	Orange/Yellow Stripe	2465
Hose, 10'	LF Jack Bottom to RF Jack Bottom	1	Brown/White Stripe	2465
Hose, 12'	Pump to Jack, Left Front Top	1	Brown Solid	2467
Hose, 12'	Pump to Jack, Right Front Top	1	White Solid	2467
Hose, 14'	Pump to Jack, Right Front Bottom	1	White Stripe	2469
Hose, 30'	Pump to Jack, Left Rear Top	1	Orange Solid	2527
Hose, 30'	Pump to Jack, Right Rear Top	1	Yellow Solid	2527
Hose, 32'	Pump to Jack, Right Rear Bottom	1	Yellow Stripe	2482

Options

Revisions

**MY2022 VENTANA 3407, 3412, 3426
STANDARD ON ALL FLOOR PLANS LISTED
SPARTAN CHASSIS**



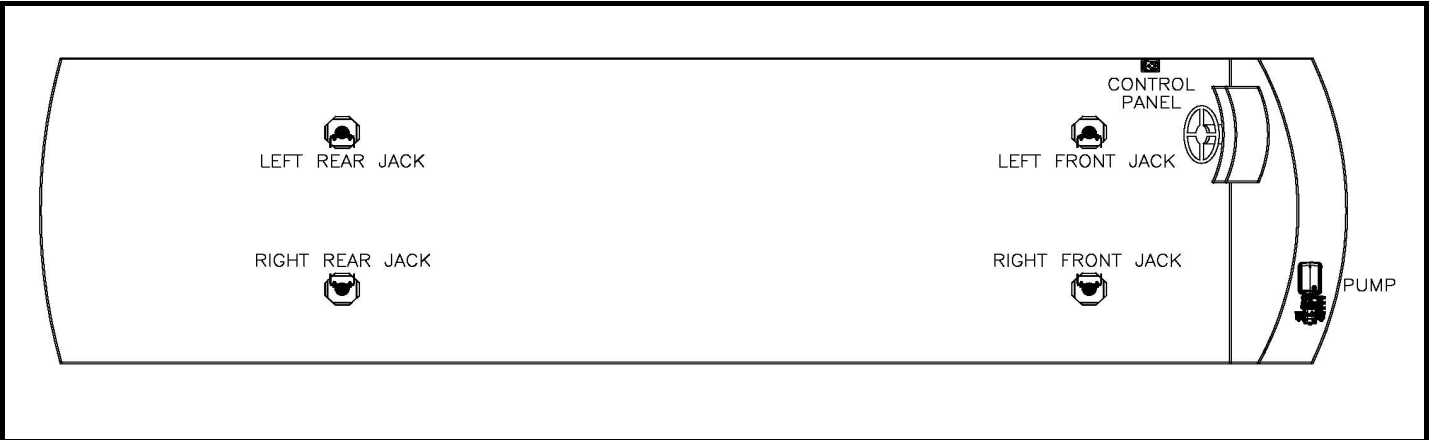
Notes:
 Front jack assemblies in list include mount plate and hardware. To order a replacement jack assembly, use part number 7214.
 System number changed to 8844A on 3-8-21. Rear jack assemblies now include brackets. To order replacement rear jack use part number 7134.

Item, Length	Description / Location	Qty	Color	Equalizer Part No.
Kit	(Items listed below)	1		8844A
Pump	4-Function, Jacks	1		7837KS
Jacks(Front)	12,000 lbs, 16" Stroke	2		70119
Jacks(Rear)	17,500 lbs, 18" Stroke	2		7965A
Control Panel	Located to the left of the drivers seat	1		3149ASBT
Harness	Connects Pump, Controller, & Touch Pad	1		6180
Hose Kit	Complete Set of Hoses	1		7839
Hose, 10'	LR Jack Bottom to RR Jack Bottom	1	Orange/Yellow Stripe	2465
Hose, 10'	LF Jack Bottom to RF Jack Bottom	1	Brown/White Stripe	2465
Hose, 12'	Pump to Jack, Left Front Top	1	Brown Solid	2467
Hose, 12'	Pump to Jack, Right Front Top	1	White Solid	2467
Hose, 14'	Pump to Jack, Right Front Bottom	1	White Stripe	2469
Hose, 30'	Pump to Jack, Left Rear Top	1	Orange Solid	2527
Hose, 30'	Pump to Jack, Right Rear Top	1	Yellow Solid	2527
Hose, 32'	Pump to Jack, Right Rear Bottom	1	Yellow Stripe	2482

Options				

Revisions				

**MY2022 VENTANA 3709, 3717, 4002, 4037
STANDARD ON ALL FLOOR PLANS LISTED
FREIGHTLINER CHASSIS**



Notes:

Jack assemblies in list include mount plate and hardware. To order a replacement jack assembly, use part number 7214 for the front jacks, and 7134 for the rear jacks.

On 7/26/16 the system number changed from 8282 to 8282A for 3149A controller.

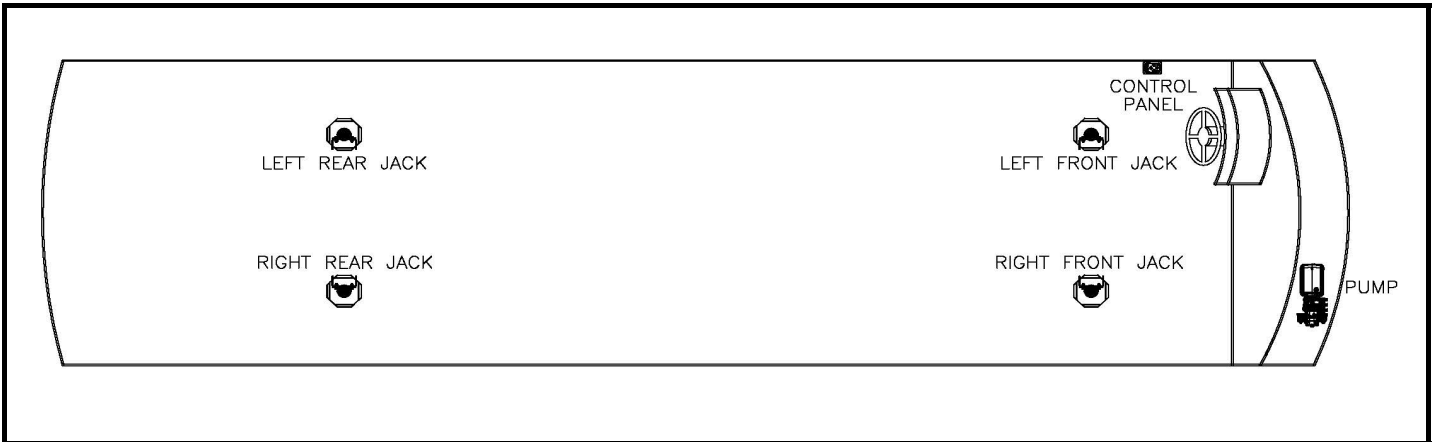
For 2020 model year, jack brackets changed, pump changed from 7837 to 7837KS, & changed to EQ Smart Level.

Item, Length	Description / Location	Qty	Color	Equalizer Part No.
Kit	(Items listed below)	1		8282B
Pump	4-Function, Jacks	1		7837KS
Jacks(Front)	12,000 lbs, 16" Stroke	2		7835A
Jacks(Rear)	17,500 lbs, 18" Stroke	2		7965A
Control Panel	Located to the left of the drivers seat	1		3149ASBT
Harness	Connects Pump, Controller, & Touch Pad	1		6180
Hose Kit	Complete Set of Hoses	1		7838
Hose, 10'	LR Jack Bottom to RR Jack Bottom	1	Orange/Yellow Stripe	2465
Hose, 10'	LF Jack Bottom to RF Jack Bottom	1	Brown/White Stripe	2465
Hose, 12'	Pump to Jack, Left Front Top	1	Brown Solid	2467
Hose, 12'	Pump to Jack, Right Front Top	1	White Solid	2467
Hose, 14'	Pump to Jack, Right Front Bottom	1	White Stripe	2469
Hose, 34'	Pump to Jack, Left Rear Top	1	Orange Solid	2484
Hose, 34'	Pump to Jack, Right Rear Top	1	Yellow Solid	2484
Hose, 36'	Pump to Jack, Right Rear Bottom	1	Yellow Stripe	2486

Options

Revisions

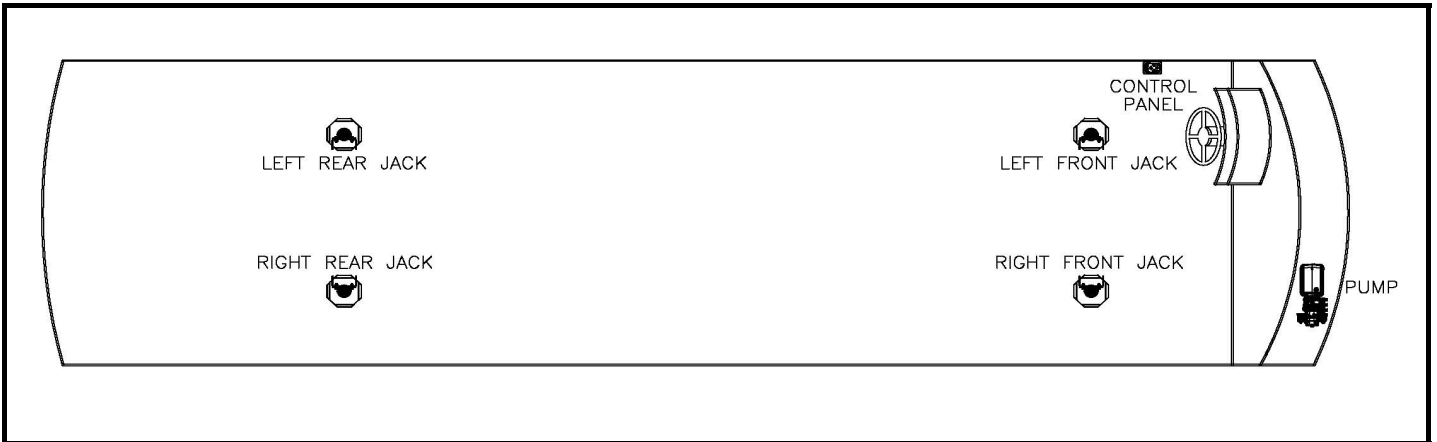
**MY2022 VENTANA 3709, 3717
STANDARD ON ALL FLOOR PLANS LISTED
SPARTAN CHASSIS**



Notes:
 Front jack assemblies in list include mount plate and hardware. To order a replacement jack assembly, use part number 7214.
 System number originally incorrect, changed to 8245A as correct number.
 For 2020 model year pump changed from 7837 to 7837KS & changed to EQ Smart Level.
 System number changed to 8979 on 3-8-21. Rear jack assemblies now include brackets. To order replacement rear jack use part number 7134.

Item, Length	Description / Location	Qty	Color	Equalizer Part No.
Kit	(Items listed below)	1		8979
Pump	4-Function, Jacks	1		7837KS
Jacks(Front)	12,000 lbs, 16" Stroke	2		70119
Jacks(Rear)	17,500 lbs, 18" Stroke	2		7965A
Control Panel	Located to the left of the drivers seat	1		3149ASBT
Harness	Connects Pump & Control Panel	1		6180
Hose Kit	Complete Set of Hoses	1		7838
Hose, 10'	LR Jack Bottom to RR Jack Bottom	1	Orange/Yellow Stripe	2465
Hose, 10'	LF Jack Bottom to RF Jack Bottom	1	Brown/White Stripe	2465
Hose, 12'	Pump to Jack, Left Front Top	1	Brown Solid	2467
Hose, 12'	Pump to Jack, Right Front Top	1	White Solid	2467
Hose, 14'	Pump to Jack, Right Front Bottom	1	White Stripe	2469
Hose, 34'	Pump to Jack, Left Rear Top	1	Orange Solid	2484
Hose, 34'	Pump to Jack, Right Rear Top	1	Yellow Solid	2484
Hose, 36'	Pump to Jack, Right Rear Bottom	1	Yellow Stripe	2486
Options				
Revisions				

**MY2022 VENTANA 4002, 4037
STANDARD ON ALL FLOOR PLANS LISTED
SPARTAN CHASSIS**



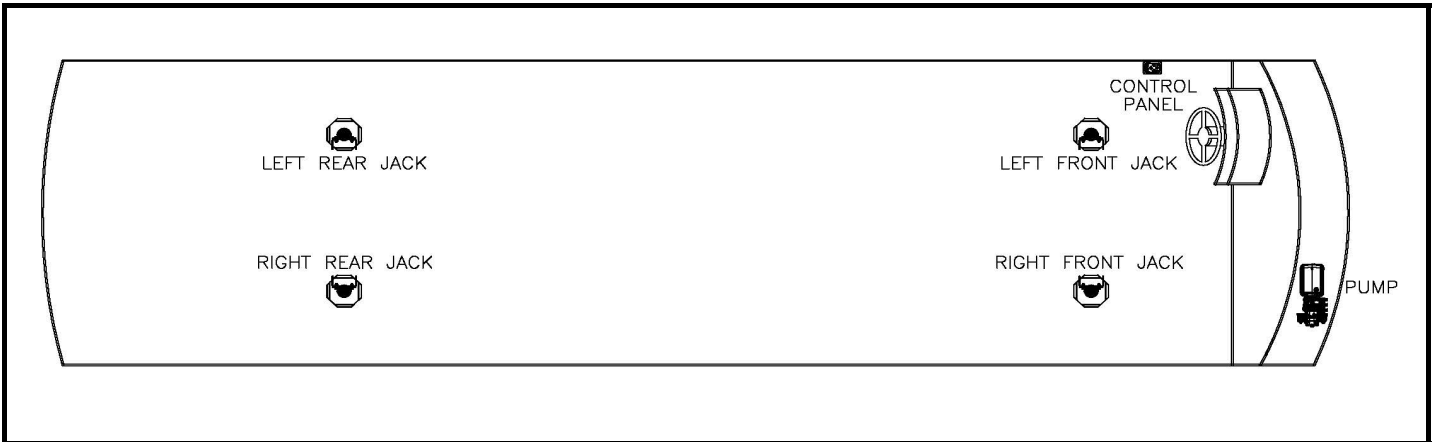
Notes:
 Front jack assemblies in list include mount plate and hardware. To order a replacement jack assembly, use part number 7214.
 System number originally incorrect, changed to 8245A as correct number.
 For 2020 model year pump changed from 7837 to 7837KS & changed to EQ Smart Level.

Item, Length	Description / Location	Qty	Color	Equalizer Part No.
Kit	(Items listed below)	1		8245B
Pump	4-Function, Jacks	1		7837KS
Jacks(Front)	12,000 lbs, 16" Stroke	2		70119
Jacks(Rear)	17,500 lbs, 18" Stroke	2		7134
Control Panel	Located to the left of the drivers seat	1		3149ASBT
Harness	Connects Pump & Control Panel	1		6180
Hose Kit	Complete Set of Hoses	1		7838
Hose, 10'	LR Jack Bottom to RR Jack Bottom	1	Orange/Yellow Stripe	2465
Hose, 10'	LF Jack Bottom to RF Jack Bottom	1	Brown/White Stripe	2465
Hose, 12'	Pump to Jack, Left Front Top	1	Brown Solid	2467
Hose, 12'	Pump to Jack, Right Front Top	1	White Solid	2467
Hose, 14'	Pump to Jack, Right Front Bottom	1	White Stripe	2469
Hose, 34'	Pump to Jack, Left Rear Top	1	Orange Solid	2484
Hose, 34'	Pump to Jack, Right Rear Top	1	Yellow Solid	2484
Hose, 36'	Pump to Jack, Right Rear Bottom	1	Yellow Stripe	2486

Options				

Revisions				

**MY2022 VENTANA 4310, 4326, 4334, 4369
STANDARD ON ALL FLOOR PLANS LISTED
FREIGHTLINER CHASSIS**



Notes:

Jack assemblies in list include mount plate and hardware. To order a replacement jack assembly, use part number 7214 for the front jacks and 7134 for the rear jacks.

On 7/26/16 the system number changed from 8749 to 8749A for 3149A controller.

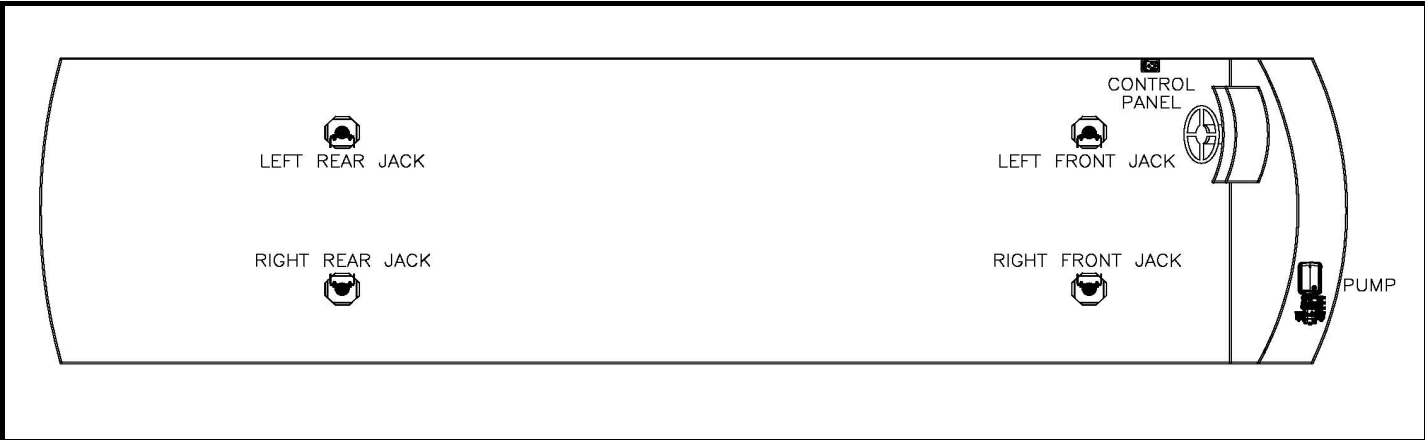
For 2020 model year, jack brackets changed, pump changed from 7837 to 7837KS, & changed to EQ Smart Level.

Item, Length	Description / Location	Qty	Color	Equalizer Part No.
Kit	(Items listed below)	1		8749B
Pump	4-Function, Jacks	1		7837KS
Jacks (Front)	12,000 lbs, 16" Stroke	2		7835A
Jacks (Rear)	17,500 lbs, 18" Stroke	2		7965A
Control Panel	Located to the left of the drivers seat	1		3149ASBT
Harness	Connects Pump, Controller, & Touch Pad	1		6180
Hose Kit	Complete Set of Hoses	1		7964
Hose, 10'	LR Jack Bottom to RR Jack Bottom	1	Orange/Yellow Stripe	2465
Hose, 10'	LF Jack Bottom to RF Jack Bottom	1	Brown/White Stripe	2465
Hose, 12'	Pump to Jack, Left Front Top	1	Brown Solid	2467
Hose, 12'	Pump to Jack, Right Front Top	1	White Solid	2467
Hose, 14'	Pump to Jack, Right Front Bottom	1	White Stripe	2469
Hose, 38'	Pump to Jack, Left Rear Top	1	Orange Solid	2488
Hose, 38'	Pump to Jack, Right Rear Top	1	Yellow Solid	2488
Hose, 38'	Pump to Jack, Right Rear Bottom	1	Yellow Stripe	2488

Options

Revisions

**MY2022 VENTANA 4310, 4326, 4334, 4369
STANDARD ON ALL FLOOR PLANS LISTED
SPARTAN CHASSIS**



Notes:
 Front jack assemblies in list include mount plate and hardware. To order a replacement jack assembly, use part number 7214.
 System number originally incorrect, changed to 8244A as correct number.
 For 2020 model year pump changed from 7837 to 7837KS & changed to EQ Smart Level.

Item, Length	Description / Location	Qty	Color	Equalizer Part No.
Kit	(Items listed below)	1		8244B
Pump	4-Function, Jacks	1		7837KS
Jacks (Front)	12,000 lbs, 16" Stroke	2		70119
Jacks (Rear)	17,500 lbs, 18" Stroke	2		7134
Control Panel	Located to the left of the drivers seat	1		3149ASBT
Harness	Connects Pump, Controller, & Touch Pad	1		6180
Hose Kit	Complete Set of Hoses	1		7964
Hose, 10'	LR Jack Bottom to RR Jack Bottom	1	Orange/Yellow Stripe	2465
Hose, 10'	LF Jack Bottom to RF Jack Bottom	1	Brown/White Stripe	2465
Hose, 12'	Pump to Jack, Left Front Top	1	Brown Solid	2467
Hose, 12'	Pump to Jack, Right Front Top	1	White Solid	2467
Hose, 14'	Pump to Jack, Right Front Bottom	1	White Stripe	2469
Hose, 38'	Pump to Jack, Left Rear Top	1	Orange Solid	2488
Hose, 38'	Pump to Jack, Right Rear Top	1	Yellow Solid	2488
Hose, 38'	Pump to Jack, Right Rear Bottom	1	Yellow Stripe	2488

Options				

Revisions				

**MY2023 BAY STAR SPORT STANDARD ON: 2720, 2813, 2920, 3014, 3022, 3225, 3315, 3316
 MY2023 BAY STAR STANDARD ON: 3014, 3020, 3124, 3225, 3401, 3408, 3609, 3616, 3626, 3629, 3811**



Notes:

For model year 2014, Equalizer will begin sending jacks to Newmar already assembled on the brackets.

To order a replacement jack assembly use 7636

In October of 2014 the system number changed from 8582B to 8582C

on 7/26/16 system number was changed from 8582C to 8582D for 3149A controller

On 11/30/16 hose Pump to Jack, Left Rear Top was changed from 30' to 32'

On 10/2/18 changed system from 8582D to 8285E - Pump changed from 7770 to 7770KS.

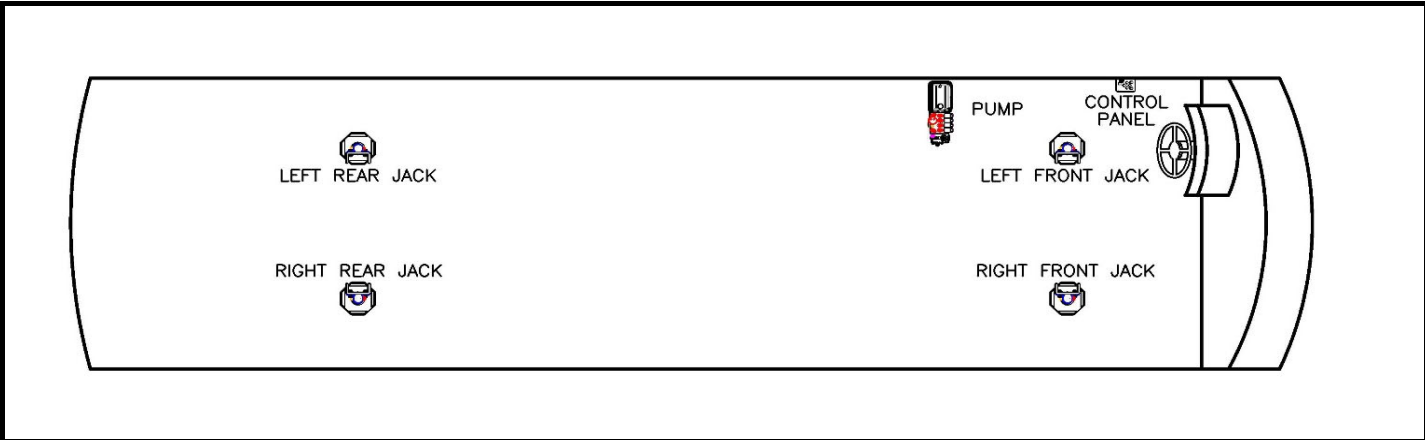
For model year 2020, longer jack brackets were included and system converted to EQ Smart Level

Item, Length	Description / Location	Qty	Color	Equalizer Part No.
Kit	(Items listed below)	1		8582F
Pump	4-Function, Jacks	1		7770KS
Jack	7,500 lbs, 15" Stroke/Front Jacks	2		7850A
Jack	7,500 lbs, 15" Stroke/Rear Jacks	2		7851A
Control Panel	Located to the left of the drivers seat	1		3149ASBT
Harness	Connects Pump & Control Panel	1		6179
Hose Kit	Complete Set of Hoses	1		7762
Hose, 6'	Pump to Jack, Left Front Top	1	Brown Solid	2461
Hose, 8'	Pump to Jack, Left Front Bottom	1	Brown Stripe	2463
Hose, 8'	Pump to Jack, Right Front Top	1	White Solid	2463
Hose, 8'	LR Jack Bottom to RR Jack Bottom	1	Orange/Yellow Stripe	2463
Hose, 10'	LF Jack Bottom to RF Jack Bottom	1	Brown/White Stripe	2465
Hose, 34'	Pump to Jack, Left Rear Top	1	Orange Solid	2484
Hose, 32'	Pump to Jack, Right Rear Top	1	Yellow Solid	2482
Hose, 34'	Pump to Jack, Right Rear Bottom	1	Yellow Stripe	2484

Options

Revisions

**MY2023 CANYON STAR 3737, 3947, 3957
STANDARD ON ALL FLOOR PLANS LISTED**



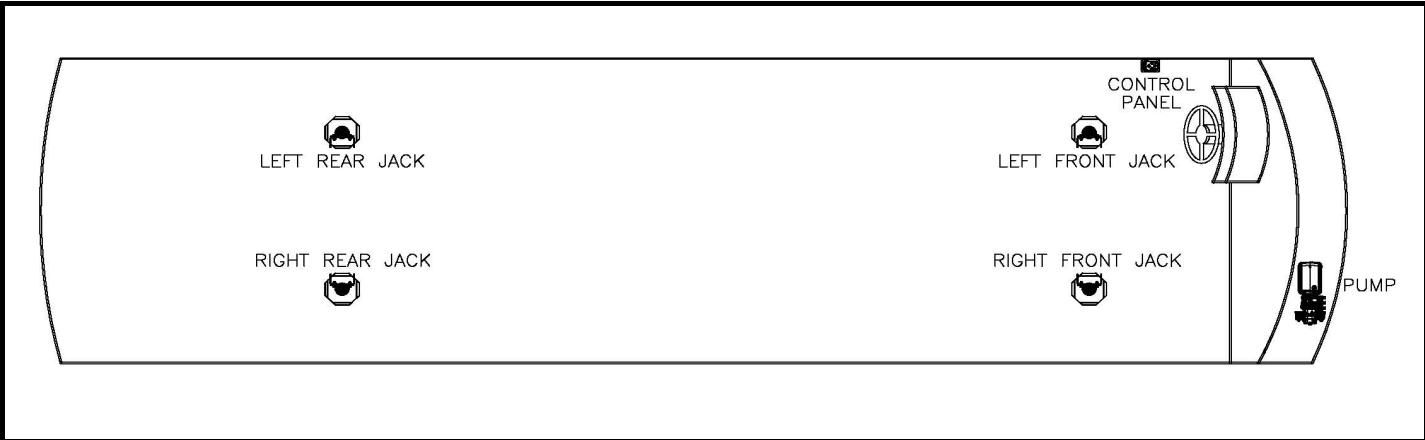
Notes:
 For model year 2021 chassis was changed from gas to front engine diesel. Jacks, harness, hoses, and pump changed.
 On 2/24/20 harness changed from 6180 to 6235
 On 7/31/20 orange and yellow hoses increased length by 2'.

Item, Length	Description / Location	Qty	Color	Equalizer Part No.
Kit	(Items listed below)	1		8846
Pump	4-Function, Jacks	1		7948KS
Jack	12,000 lbs, 16" Stroke/Front Jacks	2		70266
Jack	12,000 lbs, 16" Stroke/Rear Jacks	2		7852A
Control Panel	Located to the left of the drivers seat	1		3149ASBT
Harness	Connects Pump & Control Panel	1		6325
Hose Kit	Complete Set of Hoses	1		70264
Hose, 6'	Pump to Jack, Left Front Top	1	Brown Solid	2461
Hose, 8'	Pump to Jack, Left Front Bottom	1	Brown Stripe	2463
Hose, 8'	LR Jack Bottom to RR Jack Bottom	1	Orange/Yellow Stripe	2463
Hose, 10'	LF Jack Bottom to RF Jack Bottom	1	Brown/White Stripe	2465
Hose, 12'	Pump to Jack, Right Front Top	1	White Solid	2467
Hose, 28'	Pump to Jack, Left Rear Top	1	Orange Solid	2535
Hose, 30'	Pump to Jack, Left Rear Bottom	1	Orange Stripe	2527
Hose, 32'	Pump to Jack, Right Rear Top	1	Yellow Solid	2482

Options				

Revisions				

**MY2023 KOUNTRY STAR
3412, 3426
STANDARD ON ALL FLOOR PLANS LISTED**



Notes:

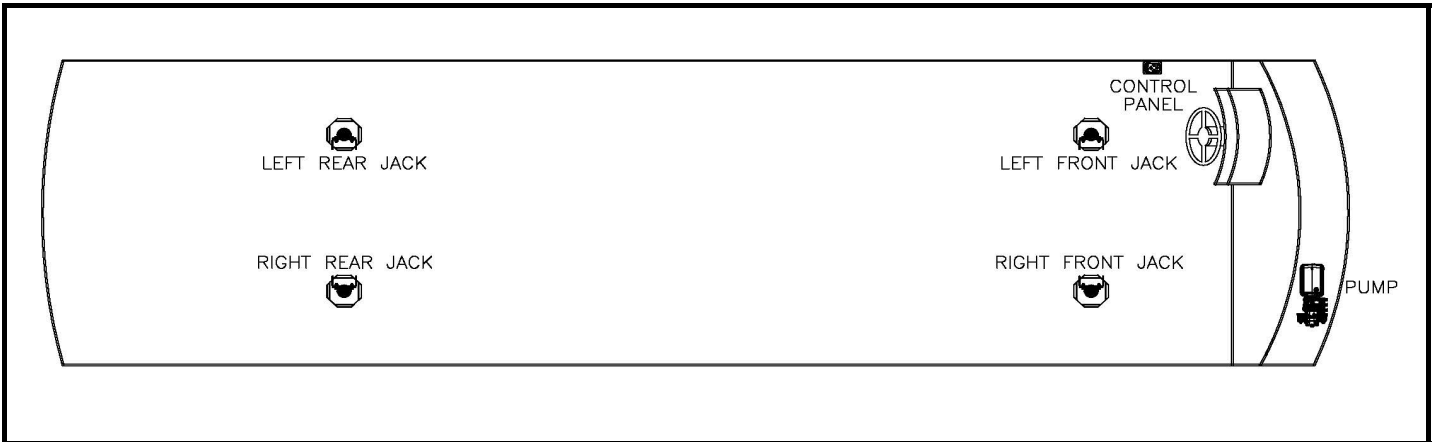
Jack assembly in list includes mount plate and hardware. To order a replacement jack assembly, use part number 7214.
 On 7/26/16 kit number was changed to 8642A with 3149A controller.
 For 2020 model year, jack brackets changed, pump changed from 7837 to 7837KS, & changed to EQ Smart Level.

Item, Length	Description / Location	Qty	Color	Equalizer Part No.
Kit	(Items listed below)	1		8642B
Pump	4-Function, Jacks	1		7837KS
Jack	12,000 lbs, 16" Stroke	4		7835A
Control Panel	Located to the left of the drivers seat	1		3149ASBT
Harness	Connects Pump & Control Panel	1		6180
Hose Kit	Complete Set of Hoses	1		7839
Hose, 10'	LR Jack Bottom to RR Jack Bottom	1	Orange/Yellow Stripe	2465
Hose, 10'	LF Jack Bottom to RF Jack Bottom	1	Brown/White Stripe	2465
Hose, 12'	Pump to Jack, Left Front Top	1	Brown Solid	2467
Hose, 12'	Pump to Jack, Right Front Top	1	White Solid	2467
Hose, 14'	Pump to Jack, Right Front Bottom	1	White Stripe	2469
Hose, 30'	Pump to Jack, Left Rear Top	1	Orange Solid	2527
Hose, 30'	Pump to Jack, Right Rear Top	1	Yellow Solid	2527
Hose, 32'	Pump to Jack, Right Rear Bottom	1	Yellow Stripe	2482

Options

Revisions

**MY2023 KOUNTRY STAR 3709, 3717
STANDARD ON ALL FLOOR PLANS LISTED**

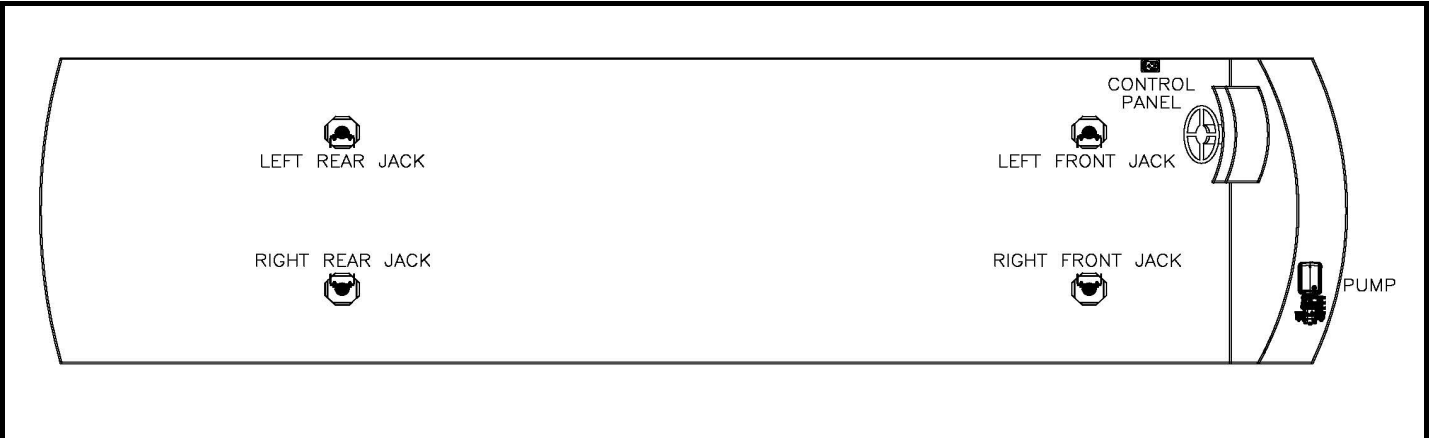


Notes:

Jack assembly in list includes mount plate and hardware. To order a replacement jack assembly, use part number 7214.
 On 7/26/14 system number was changed from 8643 to 8643A for 3149A.
 For 2020 model year, jack brackets changed, pump changed from 7837 to 7837KS, & changed to EQ Smart Level.

Item, Length	Description / Location	Qty	Color	Equalizer Part No.
Kit	(Items listed below)	1		8643B
Pump	4-Function, Jacks	1		7837KS
Jack	12,000 lbs, 16" Stroke	4		7835A
Control Panel	Located to the left of the drivers seat	1		3149ASBT
Harness	Connects Pump & Control Panel	1		6180
Hose Kit	Complete Set of Hoses	1		7838
Hose, 10'	LR Jack Bottom to RR Jack Bottom	1	Orange/Yellow Stripe	2465
Hose, 10'	LF Jack Bottom to RF Jack Bottom	1	Brown/White Stripe	2465
Hose, 12'	Pump to Jack, Left Front Top	1	Brown Solid	2467
Hose, 12'	Pump to Jack, Right Front Top	1	White Solid	2467
Hose, 14'	Pump to Jack, Right Front Bottom	1	White Stripe	2469
Hose, 34'	Pump to Jack, Left Rear Top	1	Orange Solid	2484
Hose, 34'	Pump to Jack, Right Rear Top	1	Yellow Solid	2484
Hose, 36'	Pump to Jack, Right Rear Bottom	1	Yellow Stripe	2486
Options				
Revisions				

**MY2023 KOUNTRY STAR 4011, 4037, 4068, 4070
STANDARD ON ALL FLOOR PLANS LISTED**



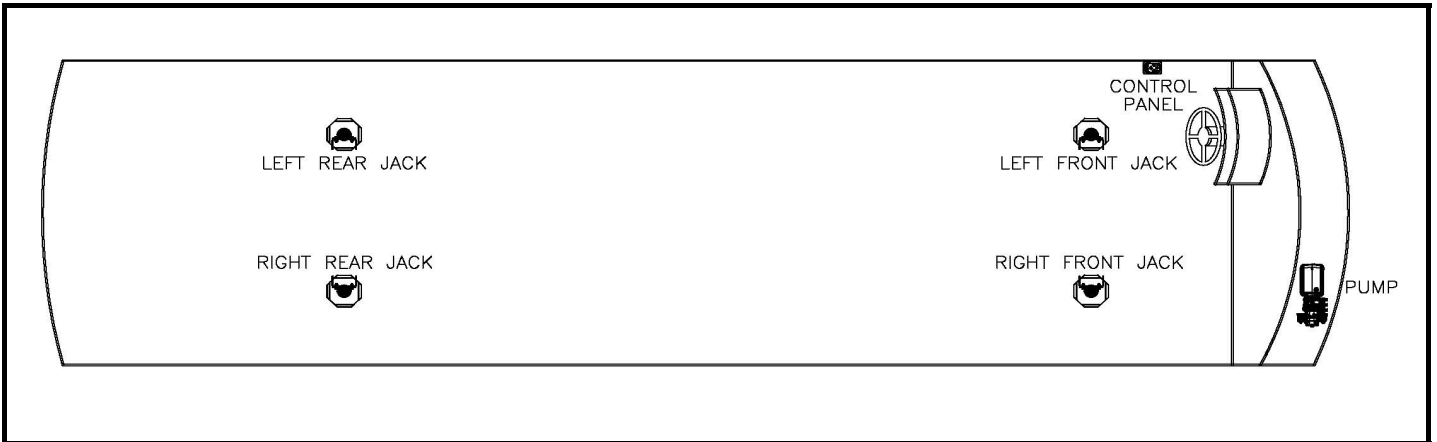
Notes:
 Jack assemblies in list include mount plate and hardware. To order a replacement jack assembly, use part number 7214 for the front jacks and 7134 for the rear jacks.
 On 7/26/16 the system number changed from 8749 to 8749A for 3149A controller.
 For 2020 model year, jack brackets changed, pump changed from 7837 to 7837KS, & changed to EQ Smart Level.

Item, Length	Description / Location	Qty	Color	Equalizer Part No.
Kit	(Items listed below)	1		8749B
Pump	4-Function, Jacks	1		7837KS
Jacks (Front)	12,000 lbs, 16" Stroke	2		7835A
Jacks (Rear)	17,500 lbs, 18" Stroke	2		7965A
Control Panel	Located to the left of the drivers seat	1		3149ASBT
Harness	Connects Pump & Control Panel	1		6180
Hose Kit	Complete Set of Hoses	1		7964
Hose, 10'	LR Jack Bottom to RR Jack Bottom	1	Orange/Yellow Stripe	2465
Hose, 10'	LF Jack Bottom to RF Jack Bottom	1	Brown/White Stripe	2465
Hose, 12'	Pump to Jack, Left Front Top	1	Brown Solid	2467
Hose, 12'	Pump to Jack, Right Front Top	1	White Solid	2467
Hose, 14'	Pump to Jack, Right Front Bottom	1	White Stripe	2469
Hose, 38'	Pump to Jack, Left Rear Top	1	Orange Solid	2488
Hose, 38'	Pump to Jack, Right Rear Top	1	Yellow Solid	2488
Hose, 38'	Pump to Jack, Right Rear Bottom	1	Yellow Stripe	2488

Options				

Revisions				

**MY2023 VENTANA 3407, 3412
STANDARD ON ALL FLOOR PLANS LISTED
FREIGHTLINER CHASSIS**



Notes:

Jack assemblies in list include mount plate and hardware. To order a replacement jack assembly, use part number 7214 for a front jack, and 7134 for a rear jack.

On 7/26/16 the system number changed from 8311 to 8311A for 3149A controller.

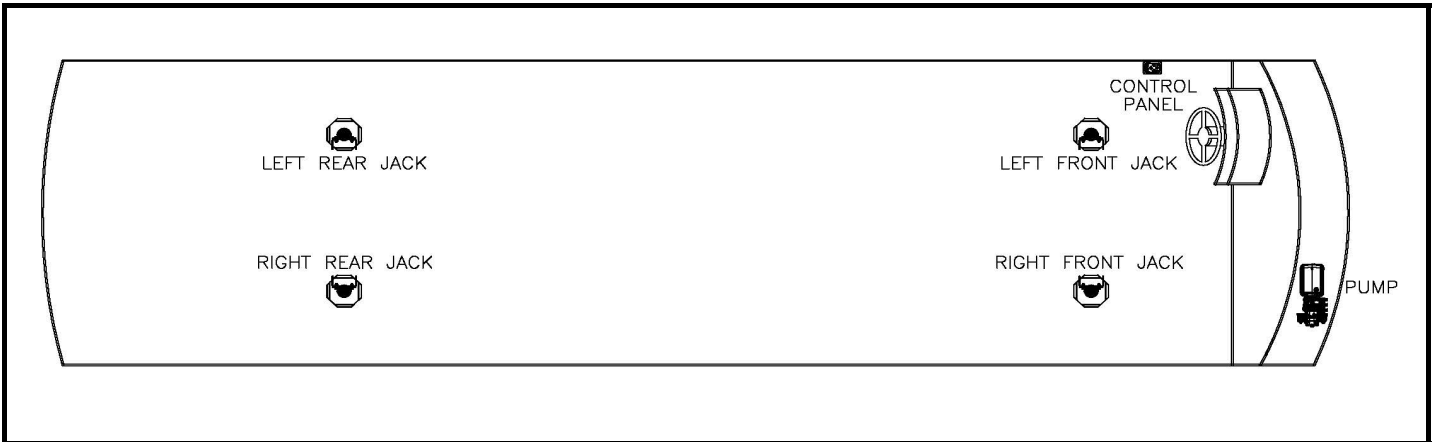
For 2020 model year, jack brackets changed, pump changed from 7837 to 7837KS, & changed to EQ Smart Level.

Item, Length	Description / Location	Qty	Color	Equalizer Part No.
Kit	(Items listed below)	1		8311B
Pump	4-Function, Jacks	1		7837KS
Jacks(Front)	12,000 lbs, 16" Stroke	2		7835A
Jacks(Rear)	17,500 lbs, 18" Stroke	2		7965A
Control Panel	Located to the left of the drivers seat	1		3149ASBT
Harness	Connects Pump, Controller, & Touch Pad	1		6180
Hose Kit	Complete Set of Hoses	1		7839
Hose, 10'	LR Jack Bottom to RR Jack Bottom	1	Orange/Yellow Stripe	2465
Hose, 10'	LF Jack Bottom to RF Jack Bottom	1	Brown/White Stripe	2465
Hose, 12'	Pump to Jack, Left Front Top	1	Brown Solid	2467
Hose, 12'	Pump to Jack, Right Front Top	1	White Solid	2467
Hose, 14'	Pump to Jack, Right Front Bottom	1	White Stripe	2469
Hose, 30'	Pump to Jack, Left Rear Top	1	Orange Solid	2527
Hose, 30'	Pump to Jack, Right Rear Top	1	Yellow Solid	2527
Hose, 32'	Pump to Jack, Right Rear Bottom	1	Yellow Stripe	2482

Options

Revisions

**MY2023 VENTANA 3407, 3412
STANDARD ON ALL FLOOR PLANS LISTED
SPARTAN CHASSIS**



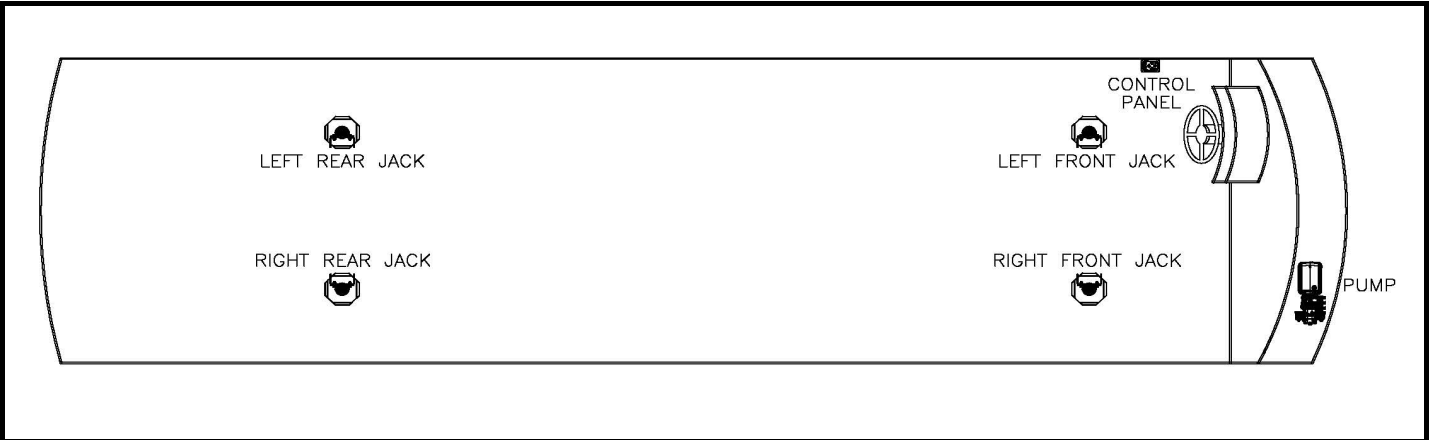
Notes:
 Front jack assemblies in list include mount plate and hardware. To order a replacement jack assembly, use part number 7214.
 System number changed to 8844A on 3-8-21. Rear jack assemblies now include brackets. To order replacement rear jack use part number 7134.

Item, Length	Description / Location	Qty	Color	Equalizer Part No.
Kit	(Items listed below)	1		8844A
Pump	4-Function, Jacks	1		7837KS
Jacks(Front)	12,000 lbs, 16" Stroke	2		70119
Jacks(Rear)	17,500 lbs, 18" Stroke	2		7965A
Control Panel	Located to the left of the drivers seat	1		3149ASBT
Harness	Connects Pump, Controller, & Touch Pad	1		6180
Hose Kit	Complete Set of Hoses	1		7839
Hose, 10'	LR Jack Bottom to RR Jack Bottom	1	Orange/Yellow Stripe	2465
Hose, 10'	LF Jack Bottom to RF Jack Bottom	1	Brown/White Stripe	2465
Hose, 12'	Pump to Jack, Left Front Top	1	Brown Solid	2467
Hose, 12'	Pump to Jack, Right Front Top	1	White Solid	2467
Hose, 14'	Pump to Jack, Right Front Bottom	1	White Stripe	2469
Hose, 30'	Pump to Jack, Left Rear Top	1	Orange Solid	2527
Hose, 30'	Pump to Jack, Right Rear Top	1	Yellow Solid	2527
Hose, 32'	Pump to Jack, Right Rear Bottom	1	Yellow Stripe	2482

Options				

Revisions				

**MY2023 VENTANA 3709, 3717, 4037, 4068
STANDARD ON ALL FLOOR PLANS LISTED
FREIGHTLINER CHASSIS**



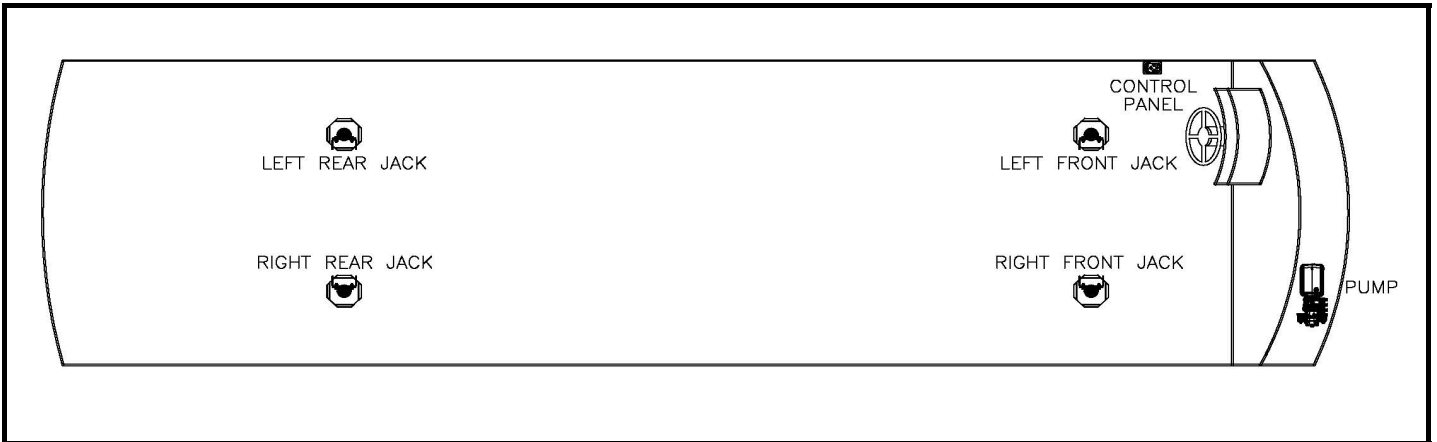
Notes:
 Jack assemblies in list include mount plate and hardware. To order a replacement jack assembly, use part number 7214 for the front jacks, and 7134 for the rear jacks.
 On 7/26/16 the system number changed from 8282 to 8282A for 3149A controller.
 For 2020 model year, jack brackets changed, pump changed from 7837 to 7837KS, & changed to EQ Smart Level.

Item, Length	Description / Location	Qty	Color	Equalizer Part No.
Kit	(Items listed below)	1		8282B
Pump	4-Function, Jacks	1		7837KS
Jacks(Front)	12,000 lbs, 16" Stroke	2		7835A
Jacks(Rear)	17,500 lbs, 18" Stroke	2		7965A
Control Panel	Located to the left of the drivers seat	1		3149ASBT
Harness	Connects Pump, Controller, & Touch Pad	1		6180
Hose Kit	Complete Set of Hoses	1		7838
Hose, 10'	LR Jack Bottom to RR Jack Bottom	1	Orange/Yellow Stripe	2465
Hose, 10'	LF Jack Bottom to RF Jack Bottom	1	Brown/White Stripe	2465
Hose, 12'	Pump to Jack, Left Front Top	1	Brown Solid	2467
Hose, 12'	Pump to Jack, Right Front Top	1	White Solid	2467
Hose, 14'	Pump to Jack, Right Front Bottom	1	White Stripe	2469
Hose, 34'	Pump to Jack, Left Rear Top	1	Orange Solid	2484
Hose, 34'	Pump to Jack, Right Rear Top	1	Yellow Solid	2484
Hose, 36'	Pump to Jack, Right Rear Bottom	1	Yellow Stripe	2486

Options				

Revisions				

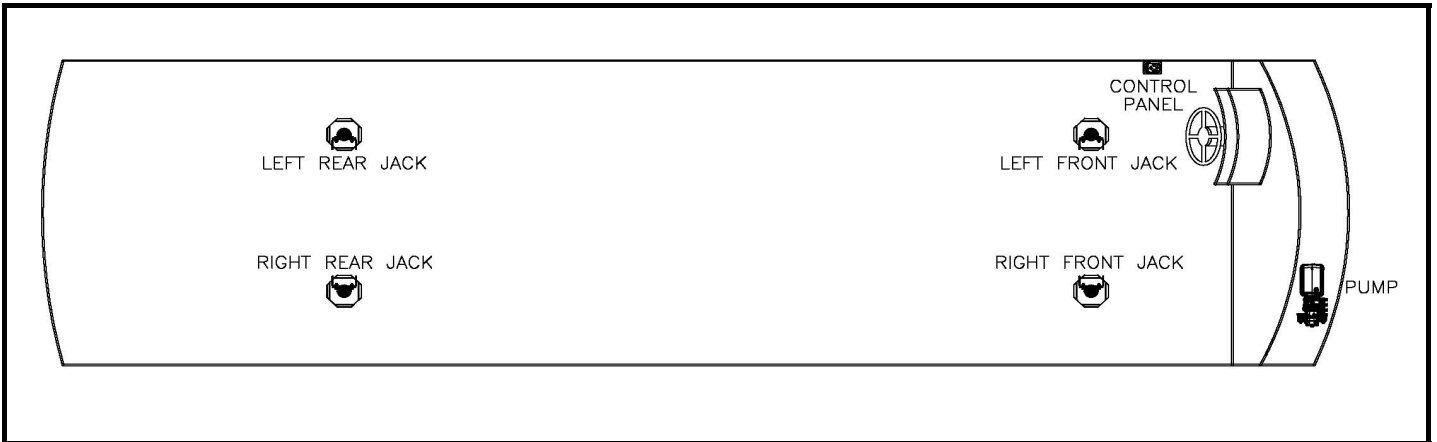
**MY2023 VENTANA 3709, 3717
STANDARD ON ALL FLOOR PLANS LISTED
SPARTAN CHASSIS**



Notes:
 Front jack assemblies in list include mount plate and hardware. To order a replacement jack assembly, use part number 7214.
 System number originally incorrect, changed to 8245A as correct number.
 For 2020 model year pump changed from 7837 to 7837KS & changed to EQ Smart Level.
 System number changed to 8979 on 3-8-21. Rear jack assemblies now include brackets. To order replacement rear jack use part number 7134.

Item, Length	Description / Location	Qty	Color	Equalizer Part No.
Kit	(Items listed below)	1		8979
Pump	4-Function, Jacks	1		7837KS
Jacks(Front)	12,000 lbs, 16" Stroke	2		70119
Jacks(Rear)	17,500 lbs, 18" Stroke	2		7965A
Control Panel	Located to the left of the drivers seat	1		3149ASBT
Harness	Connects Pump & Control Panel	1		6180
Hose Kit	Complete Set of Hoses	1		7838
Hose, 10'	LR Jack Bottom to RR Jack Bottom	1	Orange/Yellow Stripe	2465
Hose, 10'	LF Jack Bottom to RF Jack Bottom	1	Brown/White Stripe	2465
Hose, 12'	Pump to Jack, Left Front Top	1	Brown Solid	2467
Hose, 12'	Pump to Jack, Right Front Top	1	White Solid	2467
Hose, 14'	Pump to Jack,Right Front Bottom	1	White Stripe	2469
Hose, 34'	Pump to Jack, Left Rear Top	1	Orange Solid	2484
Hose, 34'	Pump to Jack, Right Rear Top	1	Yellow Solid	2484
Hose, 36'	Pump to Jack, Right Rear Bottom	1	Yellow Stripe	2486
Options				
Revisions				

**MY2023 VENTANA 4037, 4068
STANDARD ON ALL FLOOR PLANS LISTED
SPARTAN CHASSIS**



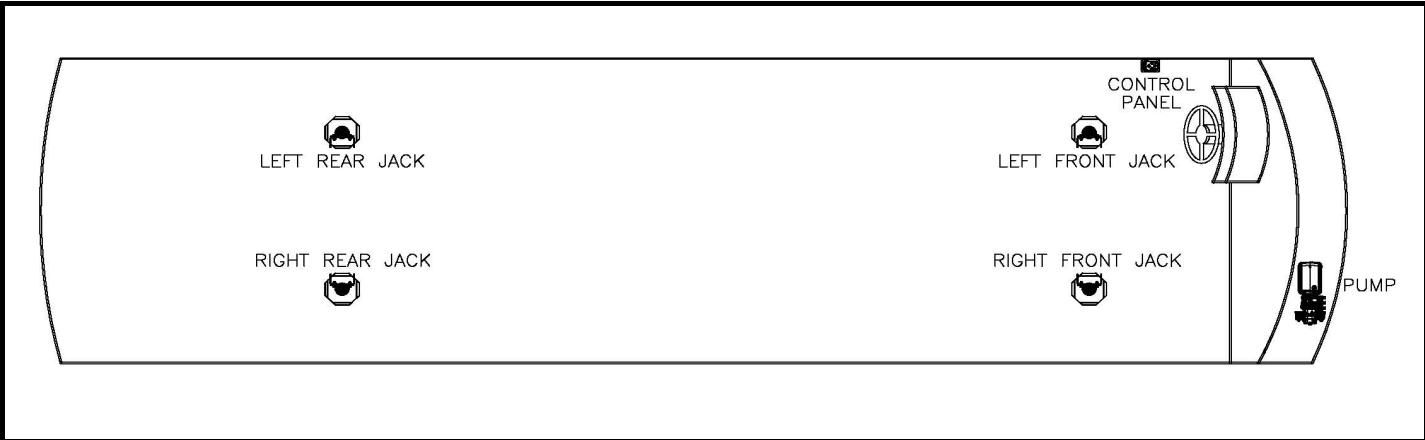
Notes:
 Front jack assemblies in list include mount plate and hardware. To order a replacement jack assembly, use part number 7214.
 System number originally incorrect, changed to 8245A as correct number.
 For 2020 model year pump changed from 7837 to 7837KS & changed to EQ Smart Level.

Item, Length	Description / Location	Qty	Color	Equalizer Part No.
Kit	(Items listed below)	1		8245B
Pump	4-Function, Jacks	1		7837KS
Jacks(Front)	12,000 lbs, 16" Stroke	2		70119
Jacks(Rear)	17,500 lbs, 18" Stroke	2		7134
Control Panel	Located to the left of the drivers seat	1		3149ASBT
Harness	Connects Pump & Control Panel	1		6180
Hose Kit	Complete Set of Hoses	1		7838
Hose, 10'	LR Jack Bottom to RR Jack Bottom	1	Orange/Yellow Stripe	2465
Hose, 10'	LF Jack Bottom to RF Jack Bottom	1	Brown/White Stripe	2465
Hose, 12'	Pump to Jack, Left Front Top	1	Brown Solid	2467
Hose, 12'	Pump to Jack, Right Front Top	1	White Solid	2467
Hose, 14'	Pump to Jack, Right Front Bottom	1	White Stripe	2469
Hose, 34'	Pump to Jack, Left Rear Top	1	Orange Solid	2484
Hose, 34'	Pump to Jack, Right Rear Top	1	Yellow Solid	2484
Hose, 36'	Pump to Jack, Right Rear Bottom	1	Yellow Stripe	2486

Options				

Revisions				

**MY2023 VENTANA 4310, 4326, 4328, 4334, 4369
STANDARD ON ALL FLOOR PLANS LISTED
FREIGHTLINER CHASSIS**



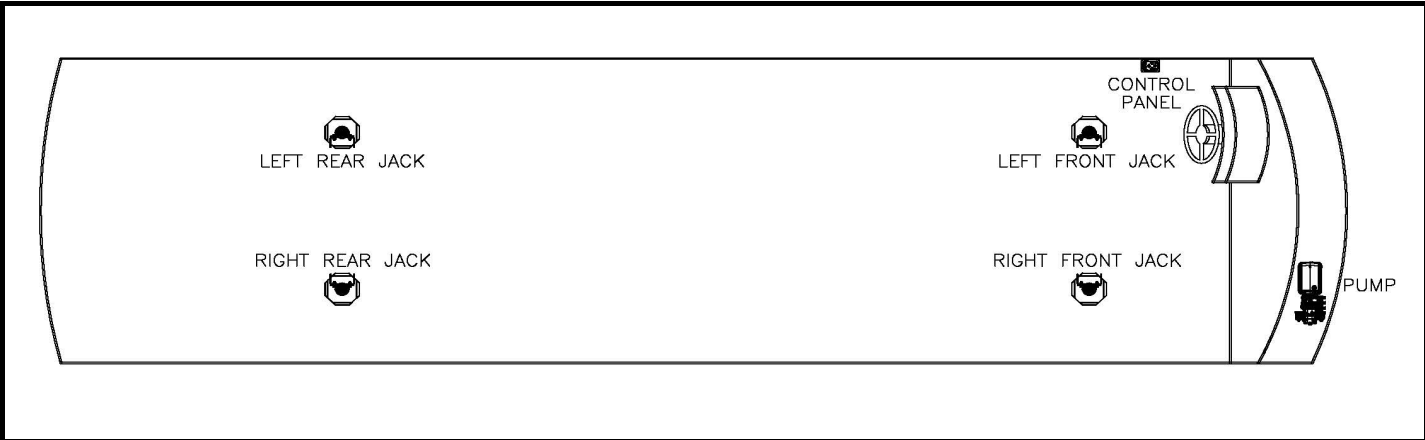
Notes:
 Jack assemblies in list include mount plate and hardware. To order a replacement jack assembly, use part number 7214 for the front jacks and 7134 for the rear jacks.
 On 7/26/16 the system number changed from 8749 to 8749A for 3149A controller.
 For 2020 model year, jack brackets changed, pump changed from 7837 to 7837KS, & changed to EQ Smart Level.

Item, Length	Description / Location	Qty	Color	Equalizer Part No.
Kit	(Items listed below)	1		8749B
Pump	4-Function, Jacks	1		7837KS
Jacks (Front)	12,000 lbs, 16" Stroke	2		7835A
Jacks (Rear)	17,500 lbs, 18" Stroke	2		7965A
Control Panel	Located to the left of the drivers seat	1		3149ASBT
Harness	Connects Pump, Controller, & Touch Pad	1		6180
Hose Kit	Complete Set of Hoses	1		7964
Hose, 10'	LR Jack Bottom to RR Jack Bottom	1	Orange/Yellow Stripe	2465
Hose, 10'	LF Jack Bottom to RF Jack Bottom	1	Brown/White Stripe	2465
Hose, 12'	Pump to Jack, Left Front Top	1	Brown Solid	2467
Hose, 12'	Pump to Jack, Right Front Top	1	White Solid	2467
Hose, 14'	Pump to Jack, Right Front Bottom	1	White Stripe	2469
Hose, 38'	Pump to Jack, Left Rear Top	1	Orange Solid	2488
Hose, 38'	Pump to Jack, Right Rear Top	1	Yellow Solid	2488
Hose, 38'	Pump to Jack, Right Rear Bottom	1	Yellow Stripe	2488

Options				

Revisions				

**MY2023 VENTANA 4310, 4326, 4328 4334, 4369
STANDARD ON ALL FLOOR PLANS LISTED
SPARTAN CHASSIS**



Notes:
 Front jack assemblies in list include mount plate and hardware. To order a replacement jack assembly, use part number 7214.
 System number originally incorrect, changed to 8244A as correct number.
 For 2020 model year pump changed from 7837 to 7837KS & changed to EQ Smart Level.

Item, Length	Description / Location	Qty	Color	Equalizer Part No.
Kit	(Items listed below)	1		8244B
Pump	4-Function, Jacks	1		7837KS
Jacks (Front)	12,000 lbs, 16" Stroke	2		70119
Jacks (Rear)	17,500 lbs, 18" Stroke	2		7134
Control Panel	Located to the left of the drivers seat	1		3149ASBT
Harness	Connects Pump, Controller, & Touch Pad	1		6180
Hose Kit	Complete Set of Hoses	1		7964
Hose, 10'	LR Jack Bottom to RR Jack Bottom	1	Orange/Yellow Stripe	2465
Hose, 10'	LF Jack Bottom to RF Jack Bottom	1	Brown/White Stripe	2465
Hose, 12'	Pump to Jack, Left Front Top	1	Brown Solid	2467
Hose, 12'	Pump to Jack, Right Front Top	1	White Solid	2467
Hose, 14'	Pump to Jack, Right Front Bottom	1	White Stripe	2469
Hose, 38'	Pump to Jack, Left Rear Top	1	Orange Solid	2488
Hose, 38'	Pump to Jack, Right Rear Top	1	Yellow Solid	2488
Hose, 38'	Pump to Jack, Right Rear Bottom	1	Yellow Stripe	2488

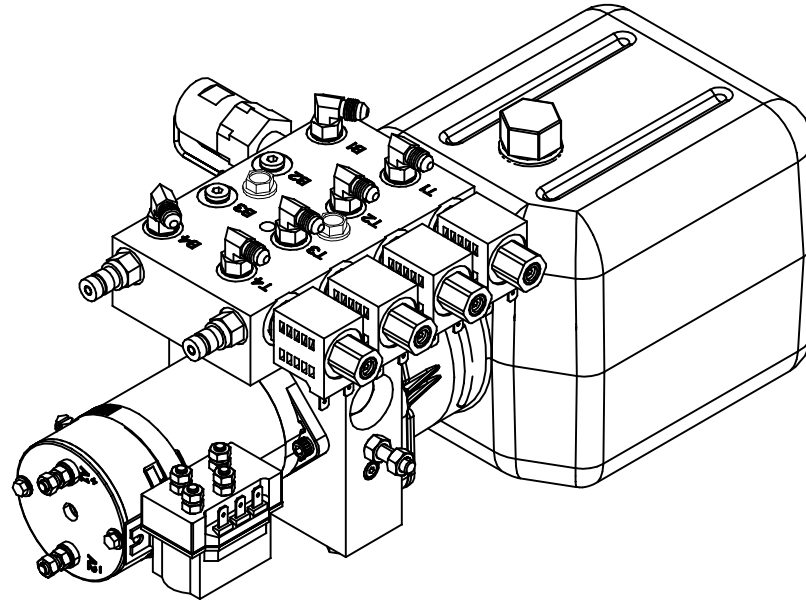
Options				

Revisions				

7770 PARTS LIST

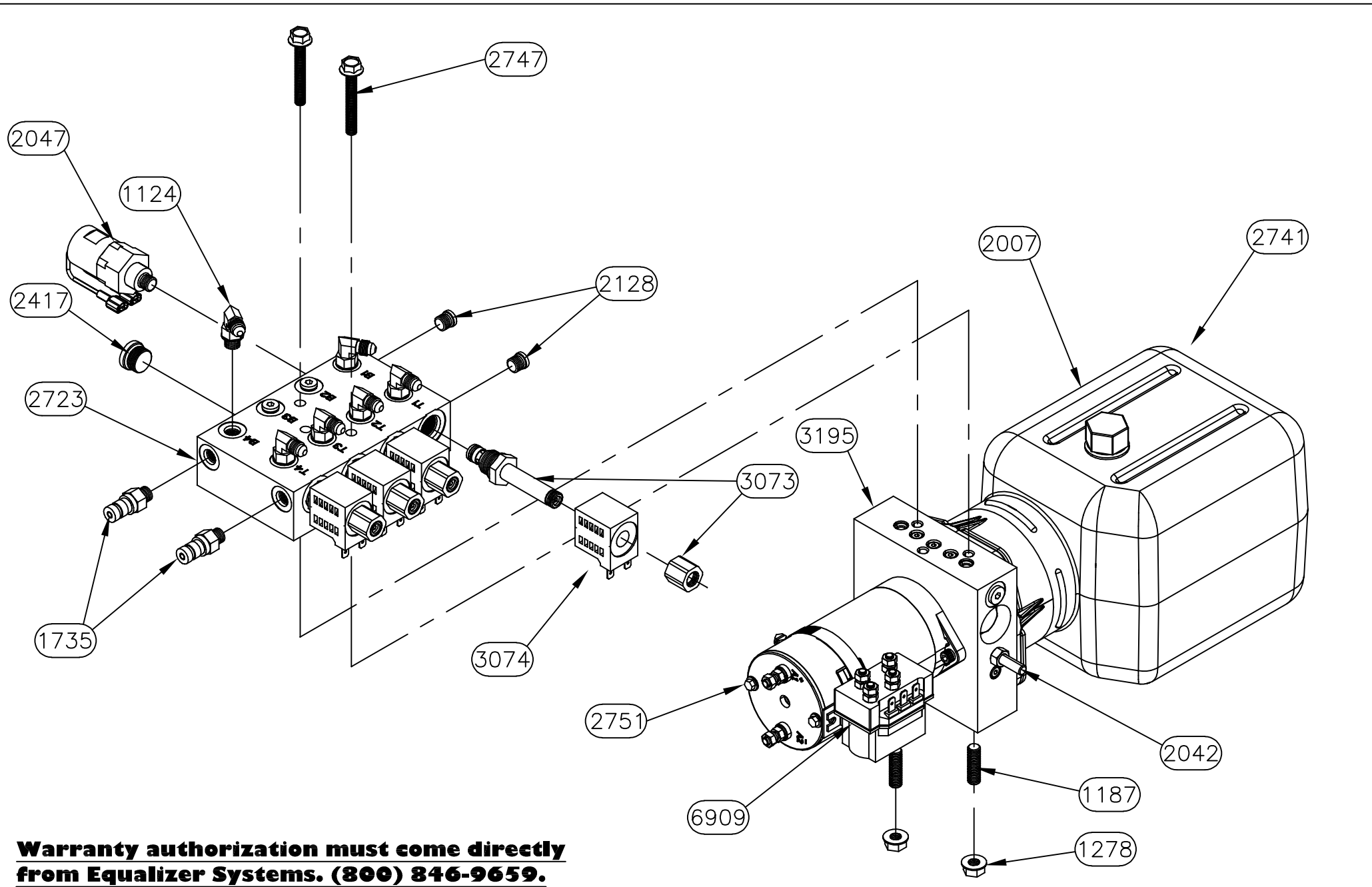
PART#	DESCRIPTION	QUAN
1124	FITTING-#4 JIC X #4 OR MALE 90	6
1187	SCREW-3/8-16 X 1 1/4 CUP PT SSS	2
1278	NUT-3/8 FLANGE	2
1735	FITTING-DF04-1/4 DIAG. TIP	2
2042	NUT-5/16-18 HEX ZINC	1
2047	SWITCH-PRESSURE SWITCH 1200 PSI	1
2128	PLUG-#4 SOCKET HEAD O-RING	4
2417	PLUG-#8 SOCKET HEAD O-RING	1
2723	MANIFOLD-BIROT 4 FUNC.	1
2747	BOLT-5/16-18 X 2 1/4 FLANGE	2
3073	VALVE-DELTROL	4
3074	COIL-DELTROL	4
3195	PUMP-MTE-BR-3" MOTOR-5 QT	1
6572C	HARNESS, 10" POWER AND GROUND FEED CONTACTOR	1
6649BR	HARNESS, 5 FUNC PUMP GROUND LEAD BIROT	1
6910	HARNESS, 4 FUNC BIROT 3IN/CONTACTOR	1
6911	HARNESS, PUMP CONTACTOR 3043	1
2007	CAP-MTE BREATHER	1
2741	RESERVOIR-5QT (2390, 2142 PUMP)	1
2751	MOTOR-MTE 3 IN BIROT	1
6909	CONTACTOR KIT	1

NOTE:
 PARTS 2007, 2741, & 2751 ARE INCLUDED IN PART 3195 AS AN ASSEMBLY-PART 6909 IS INCLUDED IN PART 6911 & THESE NUMBERS WOULD BE USED TO ORDER REPLACEMENT PARTS.
 PARTS 6572C, 6649BR, 6910, AND 6911 ARE NOT SHOWN



Warranty authorization must come directly from Equalizer Systems. (800) 846-9659.

Equalizer 55169 COUNTY ROAD 3 ELKHART, IN 46515 NOTICE - This drawing, including principles of design, is the property of Days Corporation, Elkhart, Indiana, with the agreement that it is not to be reproduced, copied, or loaned in any manner that may constitute a detriment directly or indirectly to Days Corporation. Acceptance of this will be construed as an agreement of the above.	#	REVISIONS	BY:	DATE:	UNLESS OTHERWISE SPECIFIED: TOLERANCES: .XXX ± 0.010 .XX ± 0.010 .X ± 0.030 ANG. ± 1/2" REMOVE ALL BURRS AND SHARP EDGES .015 MAX	TITLE	USED ON:		
	A	CHANGED VALVES & COILS	SJ	5/10/12		4 FUNCTION PUMP	4 POINT AUTOLEVEL SYSTEMS		
	B	CHANGED PUMP FROM 3043 TO 3195	SJ	9/29/14		SIZE SCALE MATERIAL			
	C	MOVED PRESSURE SWITCH	SJ	9/8/16		A 1:1			
					DRW BY: SJ	DATE: 5/24/11	PART NAME: PUMP & MAN 4 FUNC BIROT 3 IN-NEWMAR		
					APP'D BY: -	DATE: -	PAGE: 1 OF 2	DWG NO.: P7770	REV: C



Warranty authorization must come directly from Equalizer Systems. (800) 846-9659.

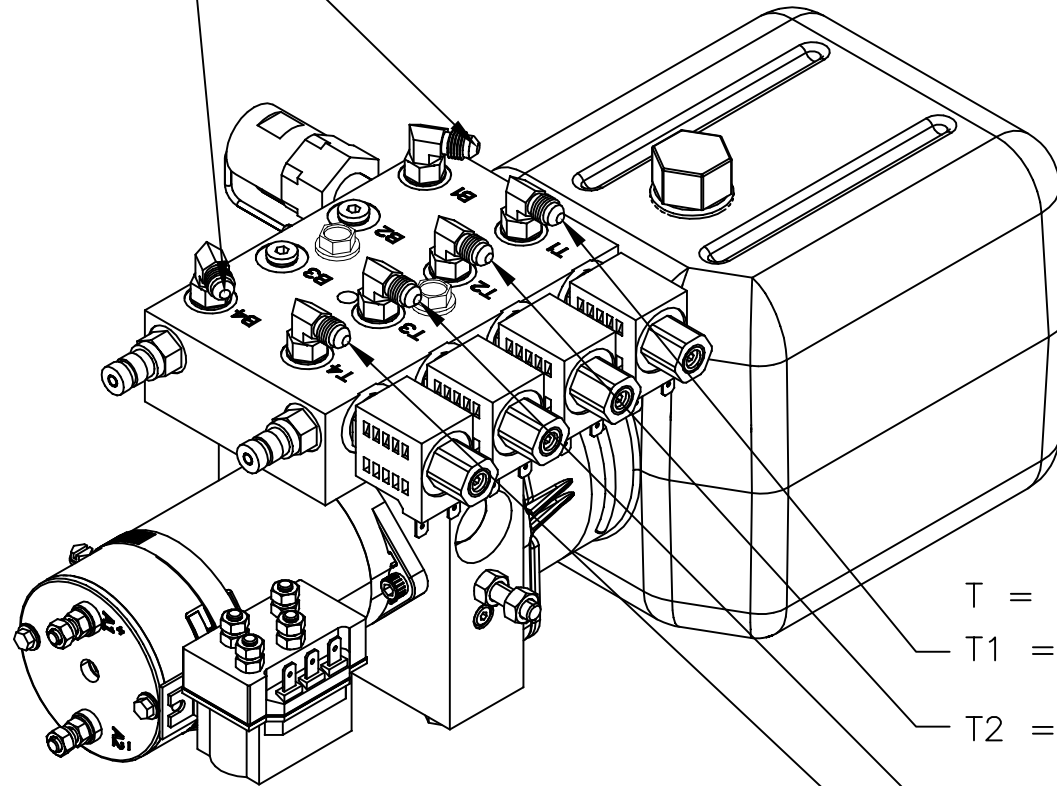
Equalizer 55169 COUNTY ROAD 3 ELKHART, IN 46515	#	REVISIONS	BY:	DATE:	UNLESS OTHERWISE SPECIFIED: TOLERANCES: .XXX ± 0.010 .XX ± 0.010 .X ± 0.030 ANG. ± 1/2" REMOVE ALL BURRS AND SHARP EDGES .015 MAX	TITLE	USED ON:		
	A	CHANGED VALVES & COILS	SJ	5/10/12		4 FUNCTION PUMP	4 POINT AUTOLEVEL SYSTEMS		
	B	CHANGED PUMP FROM 3043 TO 3195	SJ	9/29/14		SIZE	SCALE	MATERIAL	
	C	MOVED PRESSURE SWITCH	SJ	9/8/16	A	1:1			
NOTICE - This drawing, including principles of design, is the property of Days Corporation, Elkhart, Indiana, with the agreement that it is not to be reproduced, copied, or loaned in any manner that may constitute a detriment directly or indirectly to Days Corporation. Acceptance of this will be construed as an agreement of the above.					DRW BY:	DATE:	PART NAME:		
					SJ	5/24/11	PUMP & MAN 4 FUNC BIROT 3 IN-NEWMAR		
					APP'D BY:	DATE:	PAGE:	DWG NO.:	REV:
					-	-	2 OF 2	P7770	C

HYDRAULIC HOSE CONNECTIONS 7770 PUMP

B = RETRACT FUNCTION

B1 = LEFT FRONT JACK
(BROWN/BLACK)

B4 = RIGHT REAR JACK
(YELLOW/BLACK)



T = EXTEND FUNCTION

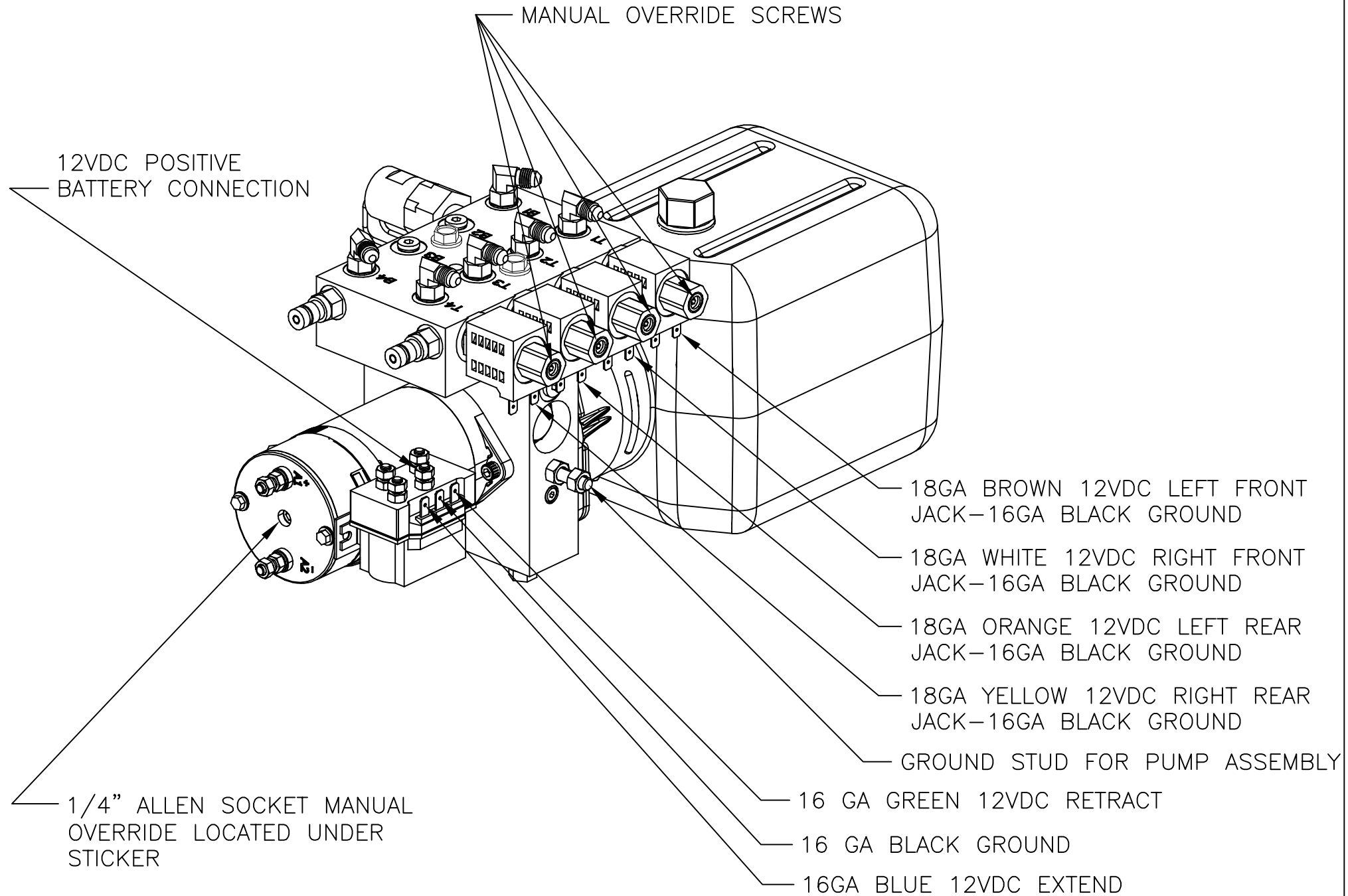
T1 = LEFT FRONT JACK (BROWN)

T2 = RIGHT FRONT JACK (WHITE)

T3 = LEFT REAR JACK (ORANGE)

T4 = RIGHT REAR JACK (YELLOW)

7770 PUMP WIRING

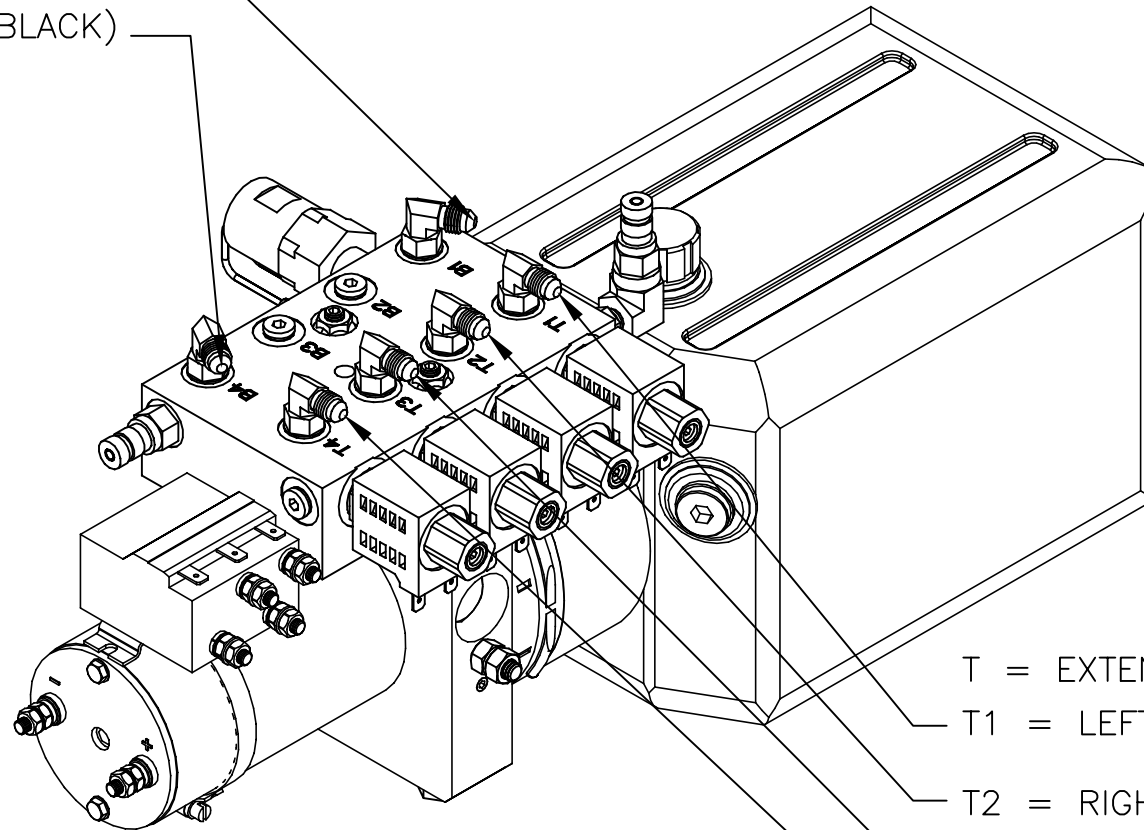


HYDRAULIC HOSE CONNECTIONS 7770KS PUMP

B = RETRACT FUNCTION

B1 = LEFT FRONT JACK
(BROWN/BLACK)

B4 = RIGHT REAR JACK
(YELLOW/BLACK)



T = EXTEND FUNCTION

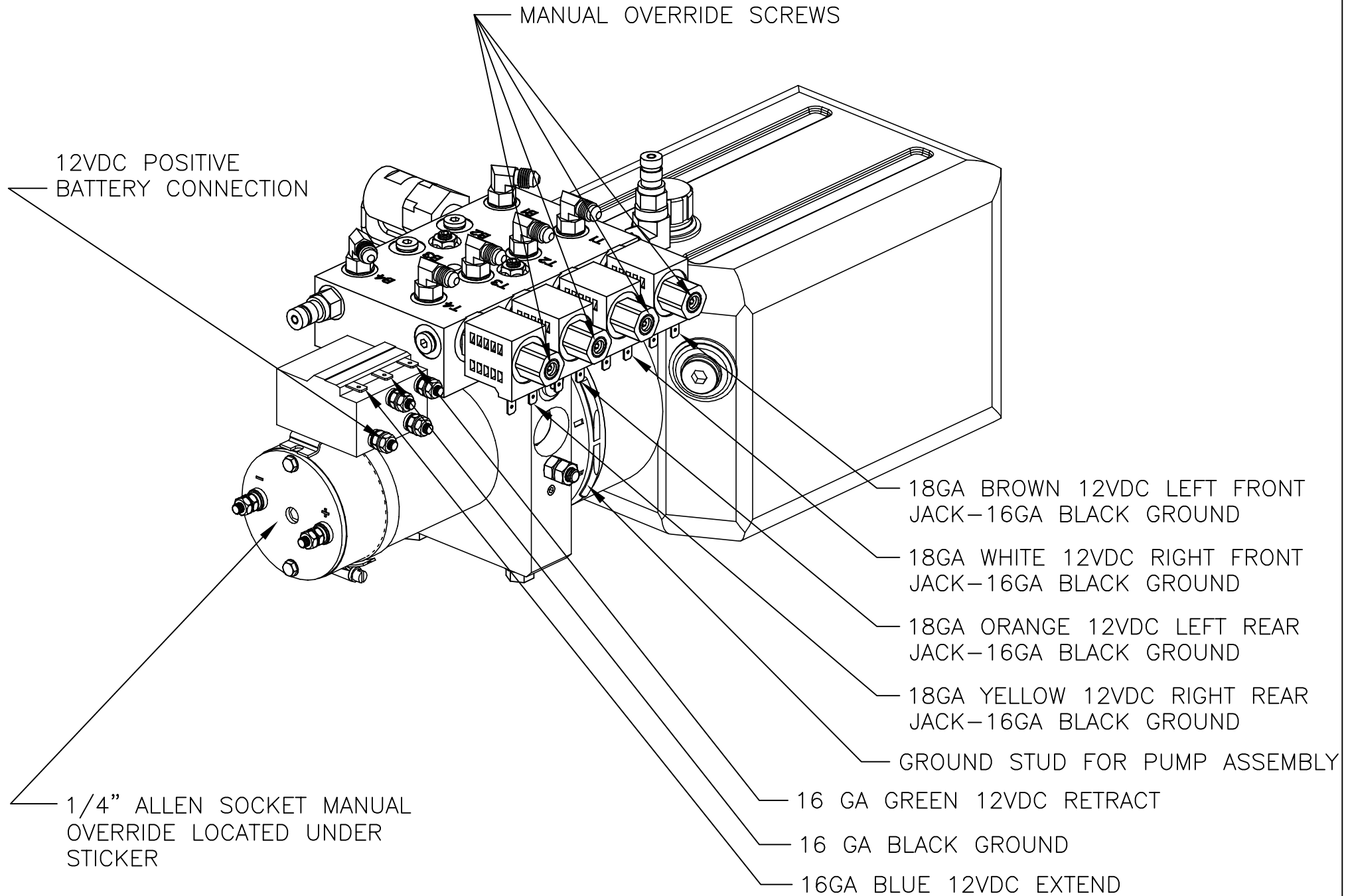
T1 = LEFT FRONT JACK (BROWN)

T2 = RIGHT FRONT JACK (WHITE)

T3 = LEFT REAR JACK (ORANGE)

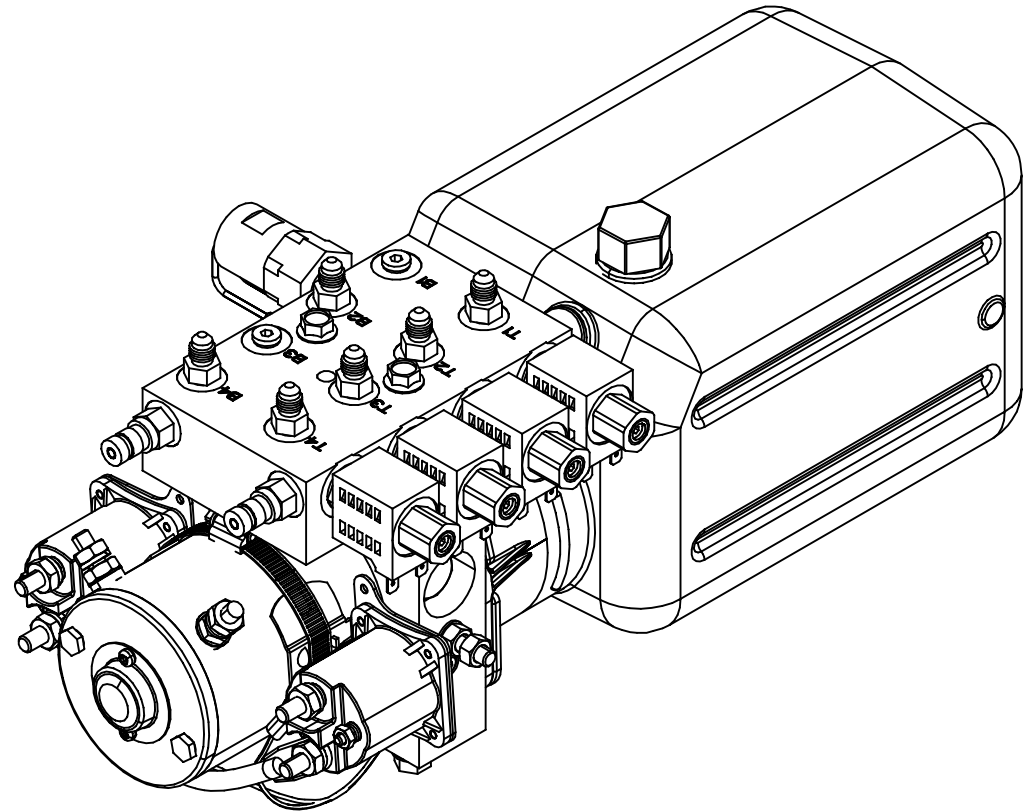
T4 = RIGHT REAR JACK (YELLOW)

7770KS PUMP WIRING



PARTS LIST

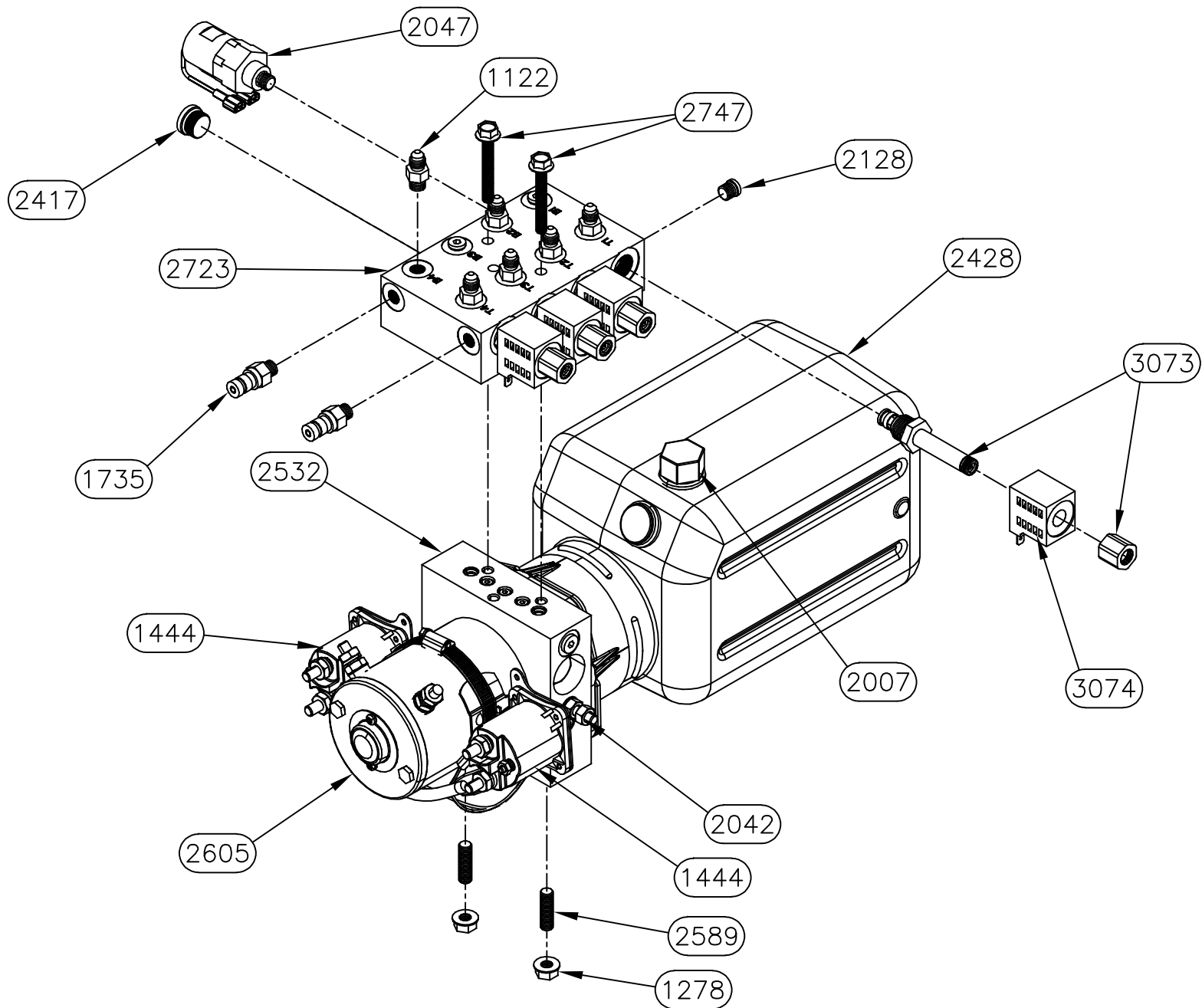
PART#	DESCRIPTION	QUAN
1122	FITTING-#4 OR MALE X #4 JIC	6
1278	NUT-3/8 FLANGE	2
1735	FITTING-DF04-1/4 DIAG. TIP	2
2042	NUT-5/16-18 HEX ZINC	1
2047	SWITCH-PRESSURE SWITCH 1200 PSI	1
2128	PLUG-#4 SOCKET HEAD O-RING	4
2417	PLUG-SOCKET HEAD #8 O-RING	1
2532	PUMP-BIROTATE MTE 6 QT.	1
1444	SOLENOID-HD PLTD	2
2007	CAP-MTE BREATHER	1
2428	RESERVOIR-MTE 6QT.-2015	1
2605	MOTOR-MTE BIROT	1
2589	SCREW-3/8-16 X 1 1/2 CUP PT SSS	2
2723	MANIFOLD-BIROT 4 FUNC. COMPACT	1
2747	SCREW-5/16-18 X 2 1/4 FLANGE	2
3073	VALVE-DELTROL	4
3074	COIL-DELTROL	4
6572	HARNESS, 10" POWER AND GROUND FEED	1
6648BR	HARNESS, 4 FUNC PUMP GROUND BIROT	1
6791BR	HARNESS, PUMP 4 FUNC BR 9 PIN	1



NOTE:
 PARTS 1444, 2007, 2428, & 2605 ARE INCLUDED IN PART 2532 AS AN ASSEMBLY.
 PARTS 6572, 6648, & 6791BR ARE NOT SHOWN

Warranty authorization must come directly from Equalizer Systems. (800) 846-9659.

Equalizer 55169 COUNTY ROAD 3 ELKHART, IN 46515	#	REVISIONS	BY:	DATE:	UNLESS OTHERWISE SPECIFIED: TOLERANCES: .XXX ± 0.010 .XX ± 0.010 .X ± 0.030 ANG. ± 1/2° REMOVE ALL BURRS AND SHARP EDGES .015 MAX	TITLE	USED ON:
	A	ADDED SECOND PURGE FITTING AND MOVE PRESSURE SWITCH	SJ	9/8/16		4 FUNC. BIROT. PUMP ASSEMBLY	NEWMAR DIESEL
NOTICE - This drawing, including principles of design, is the property of Days Corporation, Elkhart, Indiana, with the agreement that it is not to be reproduced, copied, or loaned in any manner that may constitute a detriment directly or indirectly to Days Corporation. Acceptance of this will be construed as an agreement of the above.						SIZE SCALE MATERIAL	
						A 1:1 AS	NOTED
						DRW BY: SJ DATE: 2/5/13	PART NAME: PUMP & MAN 4 FUN BR MOS-NEWMAR DIESEL
					APP'D BY: - DATE: -	PAGE: 1 OF 3	DWG NO.: P7837 REV: A



Equalizer

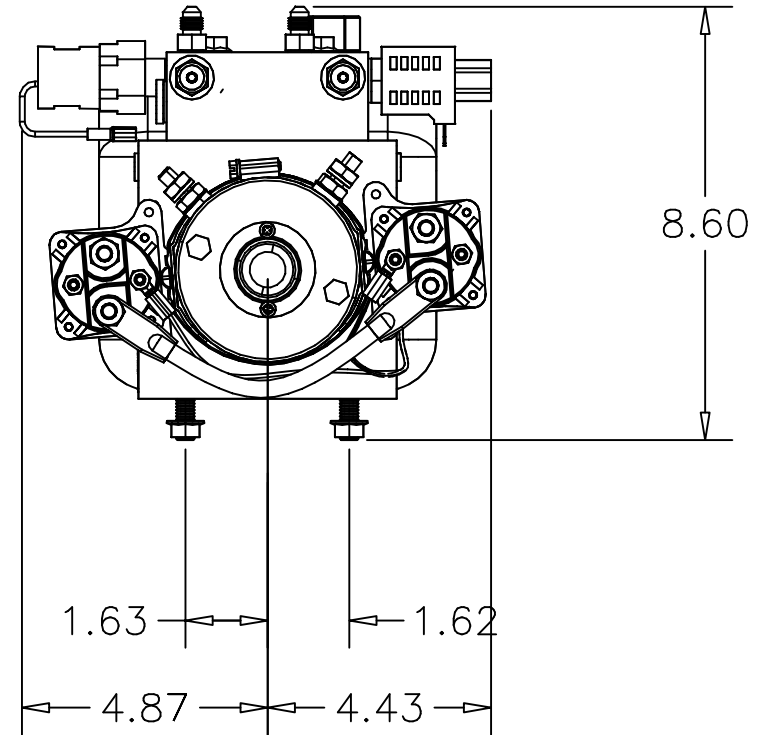
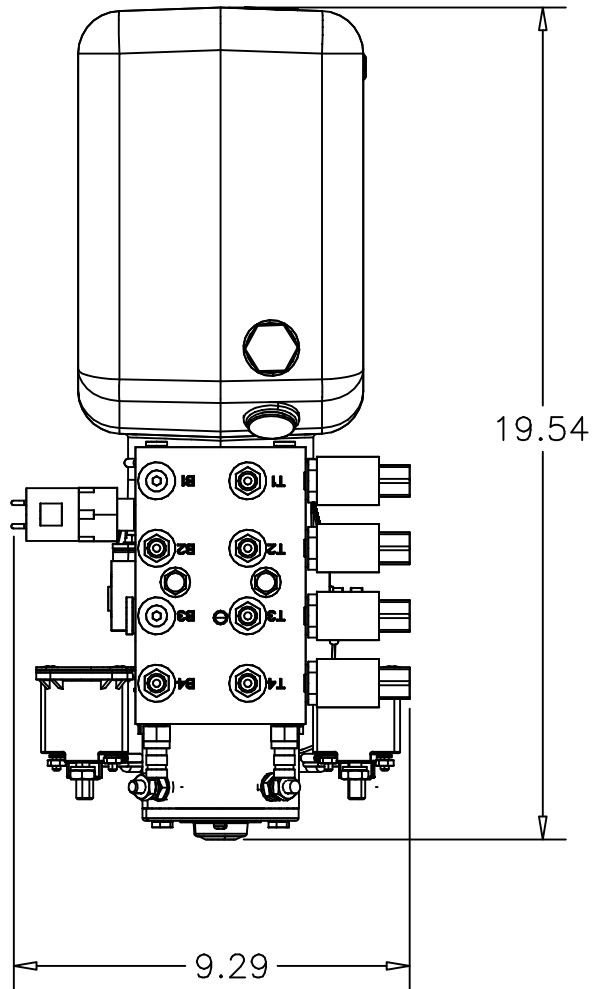
55169 COUNTY ROAD 3
ELKHART, IN 46515

#	REVISIONS	BY:	DATE:
A	ADDED SECOND PURGE FITTING AND MOVE PRESSURE SWITCH	SJ	9/8/16

UNLESS OTHERWISE SPECIFIED:
TOLERANCES:
.XXX ± 0.010
.XX ± 0.010
.X ± 0.030
ANG. ± 1/2"
REMOVE ALL BURRS AND SHARP EDGES .015 MAX

TITLE		USED ON:	
4 FUNC. BIROT. PUMP ASSEMBLY		NEWMAR DIESEL	
SIZE	SCALE	MATERIAL	NOTED
A	1:1	AS	
DRW BY:	DATE:	PART NAME:	
SJ	2/5/13	PUMP & MAN 4 FUN BR MOS-NEWMAR DIESEL	
APP'D BY:	DATE:	PAGE:	DWG NO.:
		2 OF 3	P7837
			REV: A

NOTICE - This drawing, including principles of design, is the property of Days Corporation, Elkhart, Indiana, with the agreement that it is not to be reproduced, copied, or loaned in any manner that may constitute a detriment directly or indirectly to Days Corporation. Acceptance of this will be construed as an agreement of the above.



Equalizer

55169 COUNTY ROAD 3
ELKHART, IN 46515

#	REVISIONS	BY:	DATE:
A	ADDED SECOND PURGE FITTING AND MOVE PRESSURE SWITCH	SJ	9/8/16

UNLESS OTHERWISE SPECIFIED:
TOLERANCES:
.XXX ± 0.010
.XX ± 0.010
.X ± 0.030
ANG. ± 1/2"
REMOVE ALL BURRS AND SHARP EDGES .015 MAX

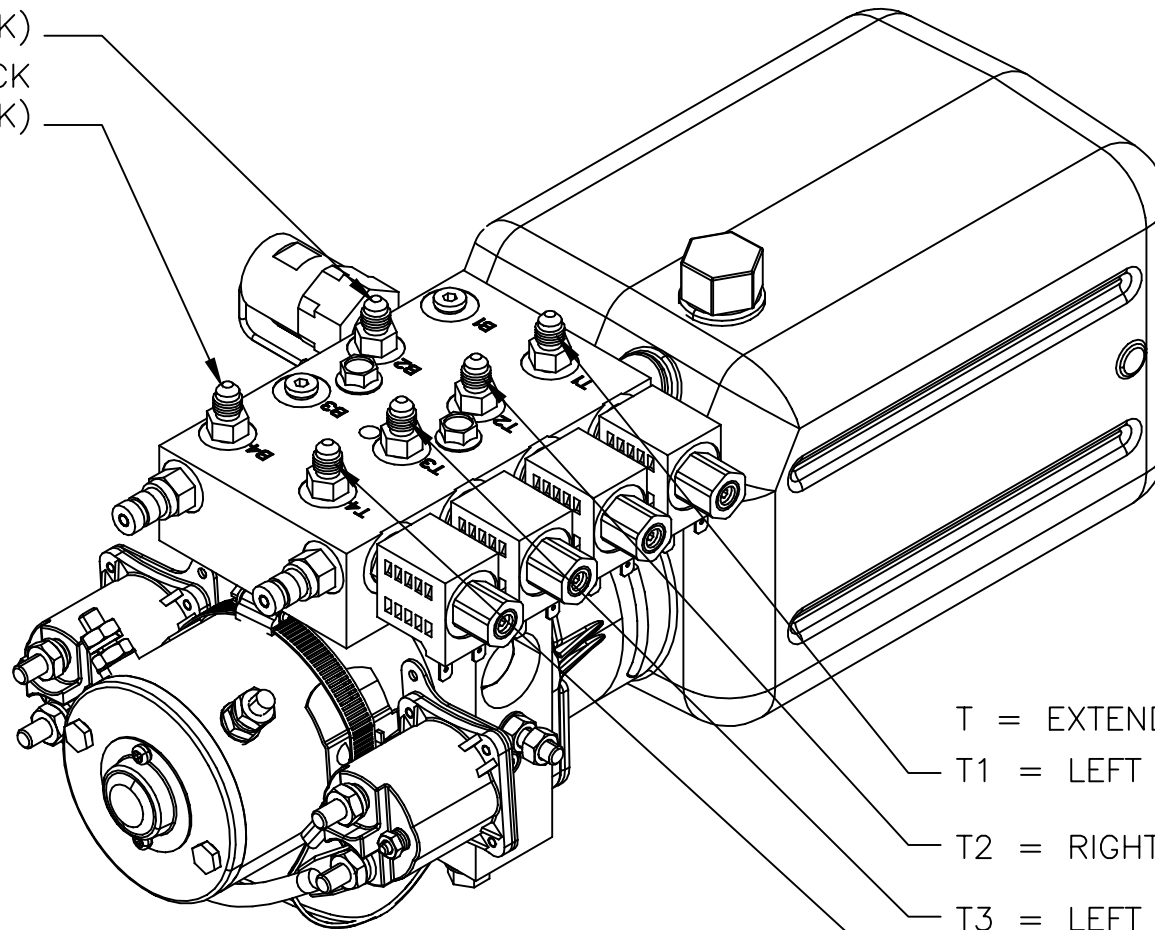
TITLE 4 FUNC. BIROT. PUMP ASSEMBLY		USED ON: NEWMAR DIESEL
SIZE A	SCALE 1:1	MATERIAL AS
DRW BY: SJ	DATE: 2/5/13	PART NAME: PUMP & MAN 4 FUN BR MOS-NEWMAR DIESEL
APP'D BY: -	DATE: -	PAGE: 3 OF 3

NOTED		REV: A
DWG NO.:	P7837	

NOTICE - This drawing, including principles of design, is the property of Days Corporation, Elkhart, Indiana, with the agreement that it is not to be reproduced, copied, or loaned in any manner that may constitute a detriment directly or indirectly to Days Corporation. Acceptance of this will be construed as an agreement of the above.

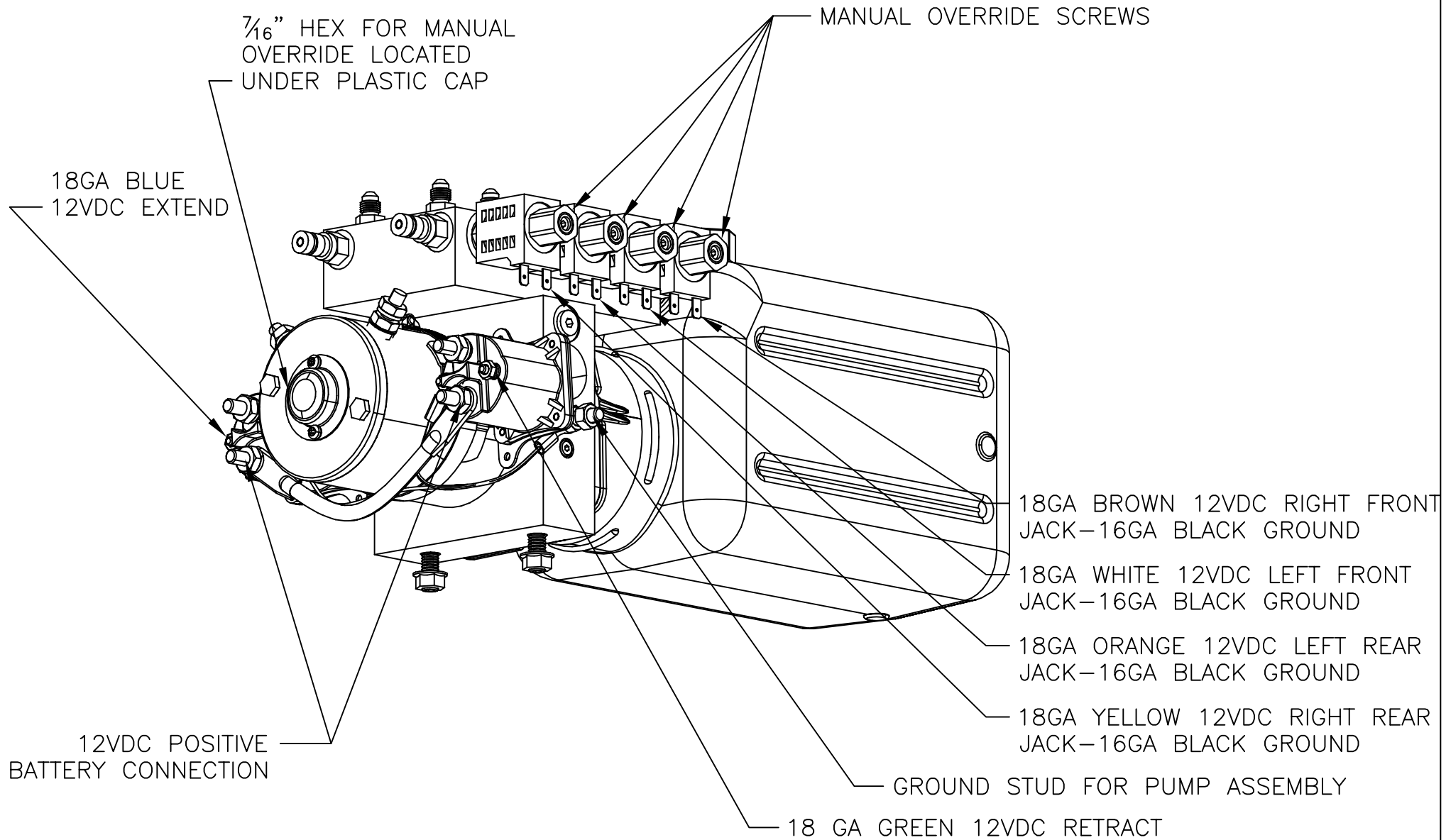
HYDRAULIC HOSE CONNECTIONS 7837 PUMP

B = RETRACT FUNCTION
B1 = RIGHT FRONT JACK
(WHITE/BLACK)
B4 = RIGHT REAR JACK
(YELLOW/BLACK)



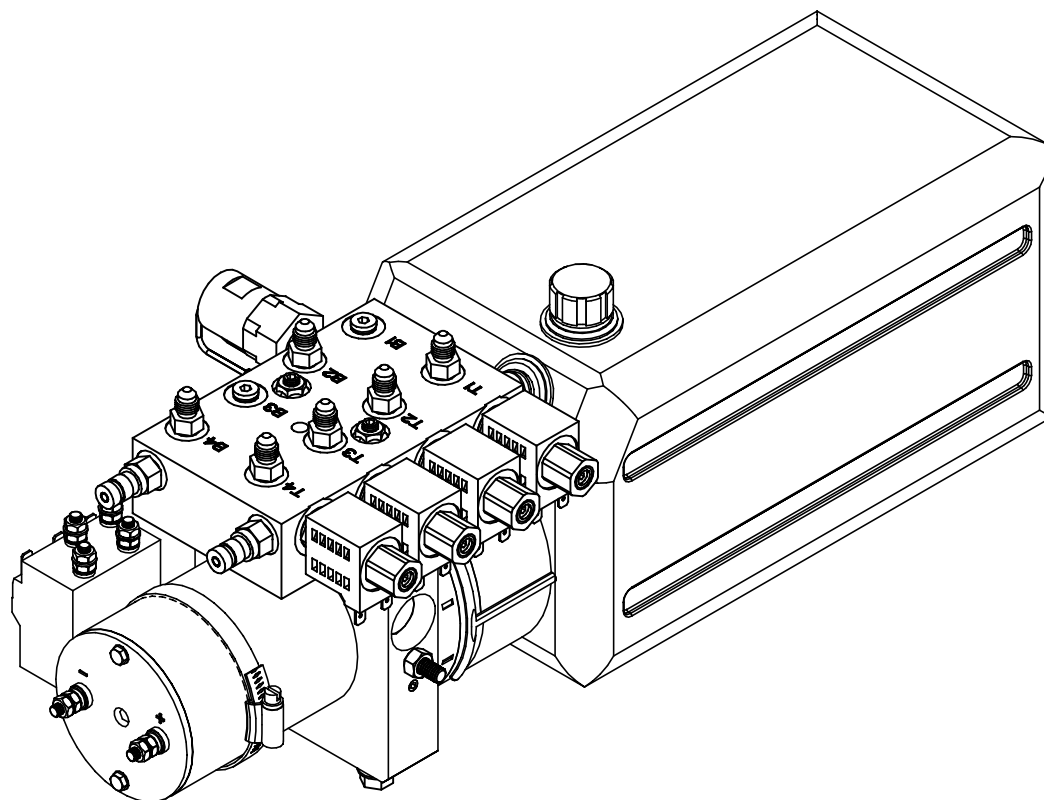
T = EXTEND FUNCTION
T1 = LEFT FRONT JACK (BROWN)
T2 = RIGHT FRONT JACK (WHITE)
T3 = LEFT REAR JACK (ORANGE)
T4 = RIGHT REAR JACK (YELLOW)

7837 PUMP WIRING




PARTS LIST

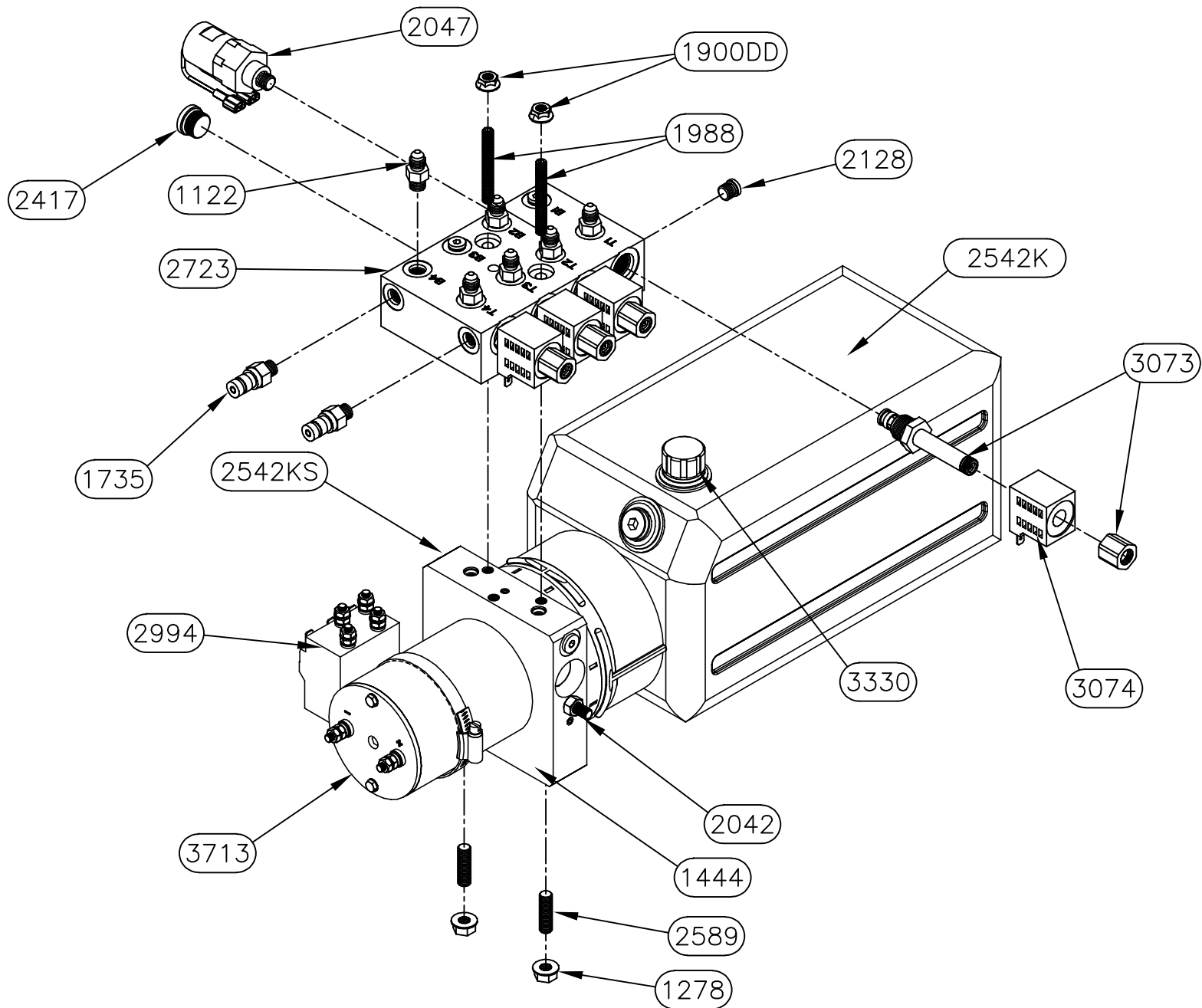
PART#	DESCRIPTION	QUAN
1122	FITTING-#4 OR MALE X #4 JIC	6
1278	NUT-3/8 FLANGE	2
1735	FITTING-DF04-1/4 DIAG. TIP	2
1900DD	NUT-5/16-18 FLANGE	2
1988	SCREW-5/16-18 X 2 3/4 SOC SET CUP PT	2
2042	NUT-5/16-18 HEX ZINC	1
2047	SWITCH-PRESSURE SWITCH 1200 PSI	1
2128	PLUG-#4 SOCKET HEAD O-RING	4
2417	PLUG-SOCKET HEAD #8 O-RING	1
2542KS	PUMP-BIROT 8 QT.-KS	1
2589	SCREW-3/8-16 X 1 1/2 CUP PT SSS	2
2723	MANIFOLD-BIROT 4 FUNC. COMPACT	1
3073	VALVE-DELTROL	4
3074	COIL-DELTROL	4
6572C	HARNESS, 10" POWER AND GROUND FEED-CONTACTOR	1
6649BR	HARNESS, 5 FUNC PUMP GROUND BIROT	1
6910	HARNESS, PUMP 4 FUNC BR 3IN CONTACTOR	1
2542K	RESERVOIR KIT-2542KS	1
2994	CONTACTOR-REVERSING	1
3330	CAP-FILL-3195KS-3200KS-3201KS	1
3713	MOTOR-2542KS	1



NOTE:
 PARTS 2542K, 2994, 3330, & 3713 ARE INCLUDED IN PART 2542KS AS AN ASSEMBLY.
 PARTS 6572C, 6649BR, & 6910 ARE NOT SHOWN

Warranty authorization must come directly from Equalizer Systems. (800) 846-9659.

 55169 COUNTY ROAD 3 ELKHART, IN 46515	#	REVISIONS	BY:	DATE:	UNLESS OTHERWISE SPECIFIED:	TITLE	USED ON:		
					TOLERANCES:	4 FUNC. BIROT. PUMP ASSEMBLY-KS	NEWMAR DIESEL		
NOTICE - This drawing, including principles of design, is the property of Days Corporation, Elkhart, Indiana, with the agreement that it is not to be reproduced, copied, or loaned in any manner that may constitute a detriment directly or indirectly to Days Corporation. Acceptance of this will be construed as an agreement of the above.					.XXX ± 0.010	SIZE SCALE MATERIAL			
					.XX ± 0.010	A 1:1 AS NOTED			
					.X ± 0.030	DRW BY: DATE:		PART NAME:	
					ANG. ± 1/2"	SJ 12/5/18		PUMP & MAN 4 FUN BR MOS-NEWMAR DIESEL	
					REMOVE ALL BURRS AND SHARP EDGES .015 MAX	APP'D BY: DATE:	PAGE:	DWG NO.:	REV:
						- -	1 OF 3	P7837KS	-



Equalizer

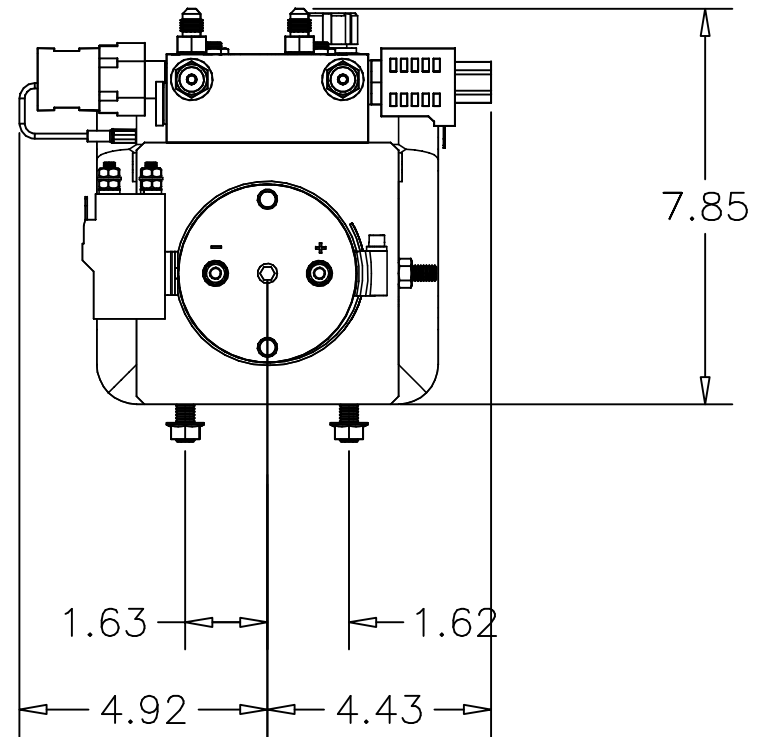
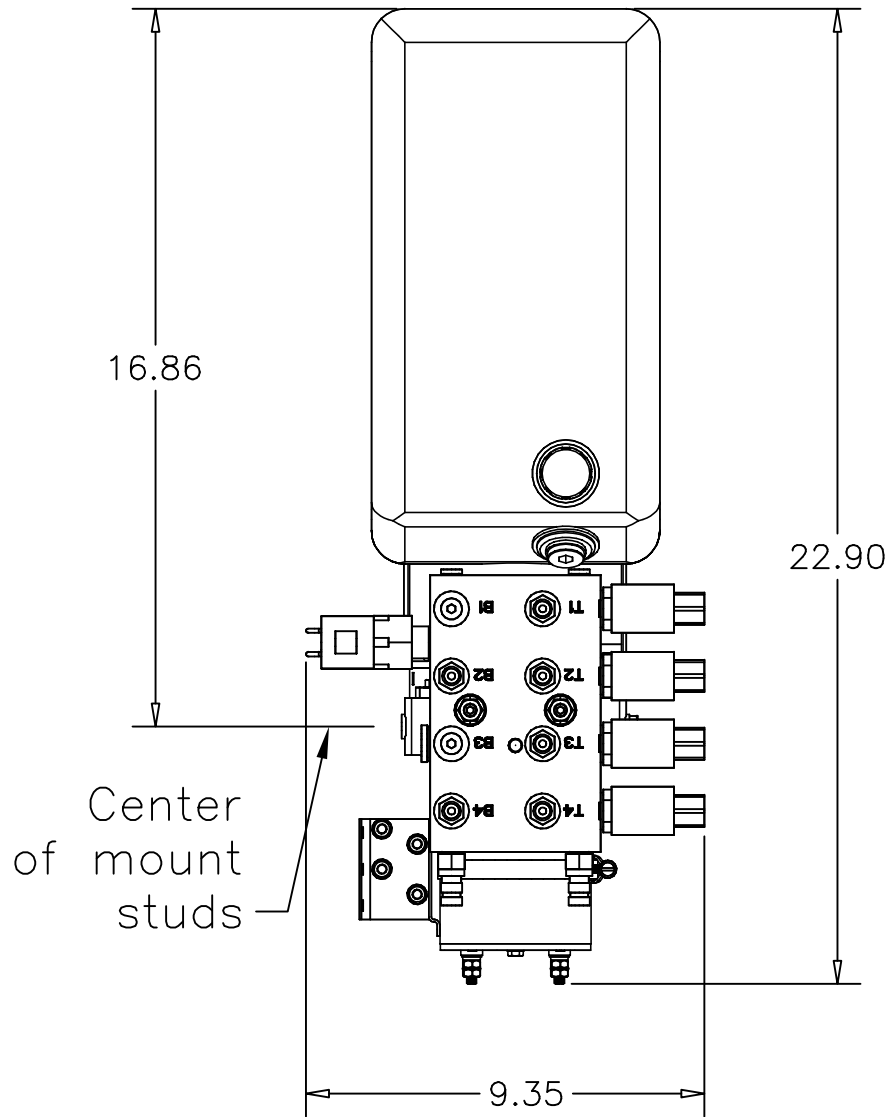
55169 COUNTY ROAD 3
ELKHART, IN 46515

#	REVISIONS	BY:	DATE:

UNLESS OTHERWISE SPECIFIED:
TOLERANCES:
.XXX ± 0.010
.XX ± 0.010
.X ± 0.030
ANG. ± 1/2"
REMOVE ALL BURRS AND SHARP EDGES .015 MAX

TITLE 4 FUNC. BIROT. PUMP ASSEMBLY-KS		USED ON: NEWMAR DIESEL	
SIZE A	SCALE 1:1	MATERIAL AS NOTED	
DRW BY: SJ	DATE: 12/5/18	PART NAME: PUMP & MAN 4 FUN BR MOS-NEWMAR DIESEL	
APP'D BY: -	DATE: -	PAGE: 2 OF 3	DWG NO.: P7837KS
			REV: -

NOTICE - This drawing, including principles of design, is the property of Days Corporation, Elkhart, Indiana, with the agreement that it is not to be reproduced, copied, or loaned in any manner that may constitute a detriment directly or indirectly to Days Corporation. Acceptance of this will be construed as an agreement of the above.



Equalizer

55169 COUNTY ROAD 3
ELKHART, IN 46515

#	REVISIONS	BY:	DATE:

UNLESS OTHERWISE SPECIFIED:
TOLERANCES:
.XXX ± 0.010
.XX ± 0.010
.X ± 0.030
ANG. ± 1/2"
REMOVE ALL BURRS AND SHARP EDGES .015 MAX

TITLE
4 FUNC. BIROT. PUMP ASSEMBLY-KS

SIZE SCALE MATERIAL
A 1:1 AS

DRW BY: DATE: 12/5/18
SJ

APP'D BY: DATE: -

USED ON:
NEWMAR DIESEL

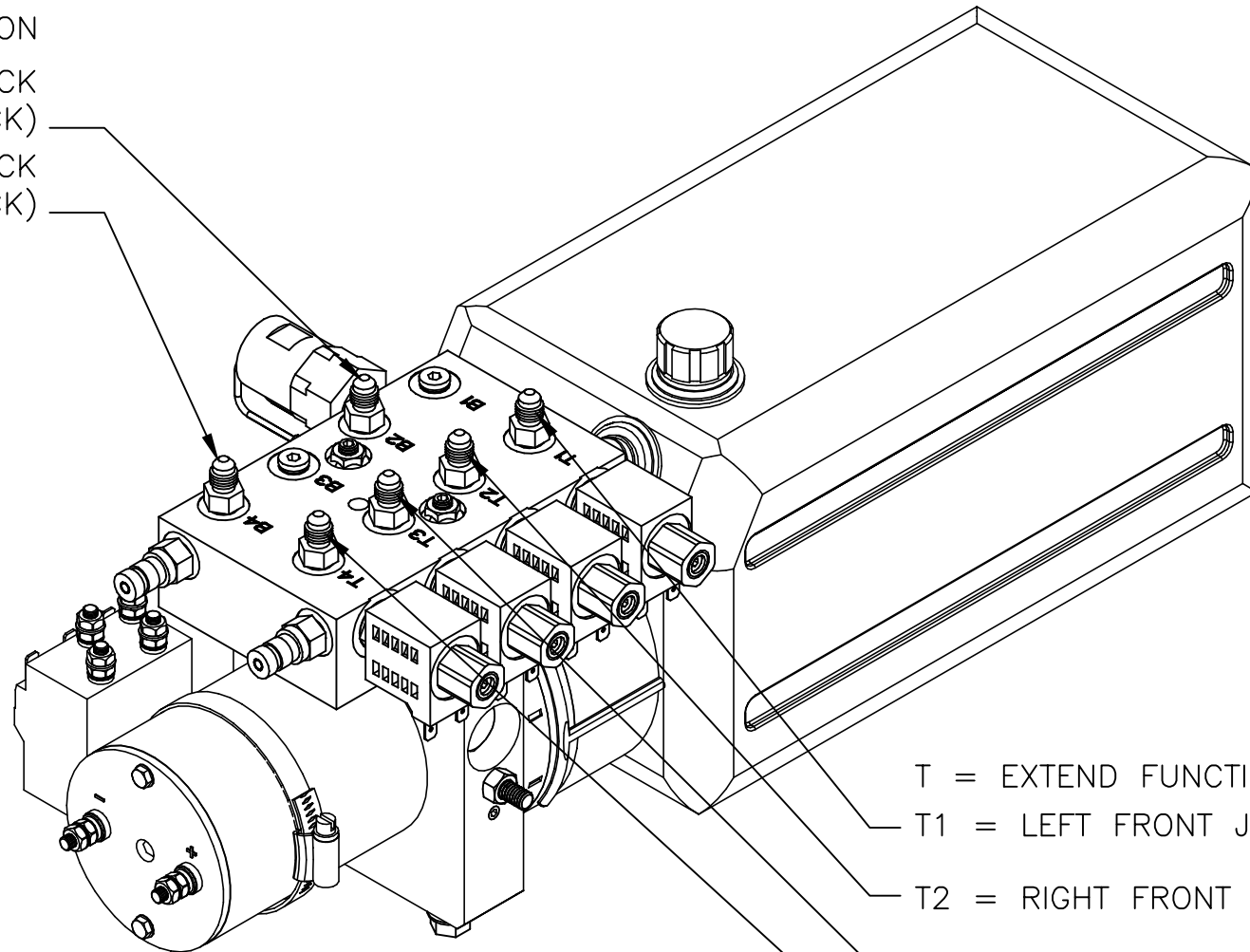
PART NAME:
PUMP & MAN 4 FUN BR MOS-NEWMAR DIESEL

PAGE: 2 OF 3 DWG NO.: P7837KS REV: -

NOTICE - This drawing, including principles of design, is the property of Days Corporation, Elkhart, Indiana, with the agreement that it is not to be reproduced, copied, or loaned in any manner that may constitute a detriment directly or indirectly to Days Corporation. Acceptance of this will be construed as an agreement of the above.

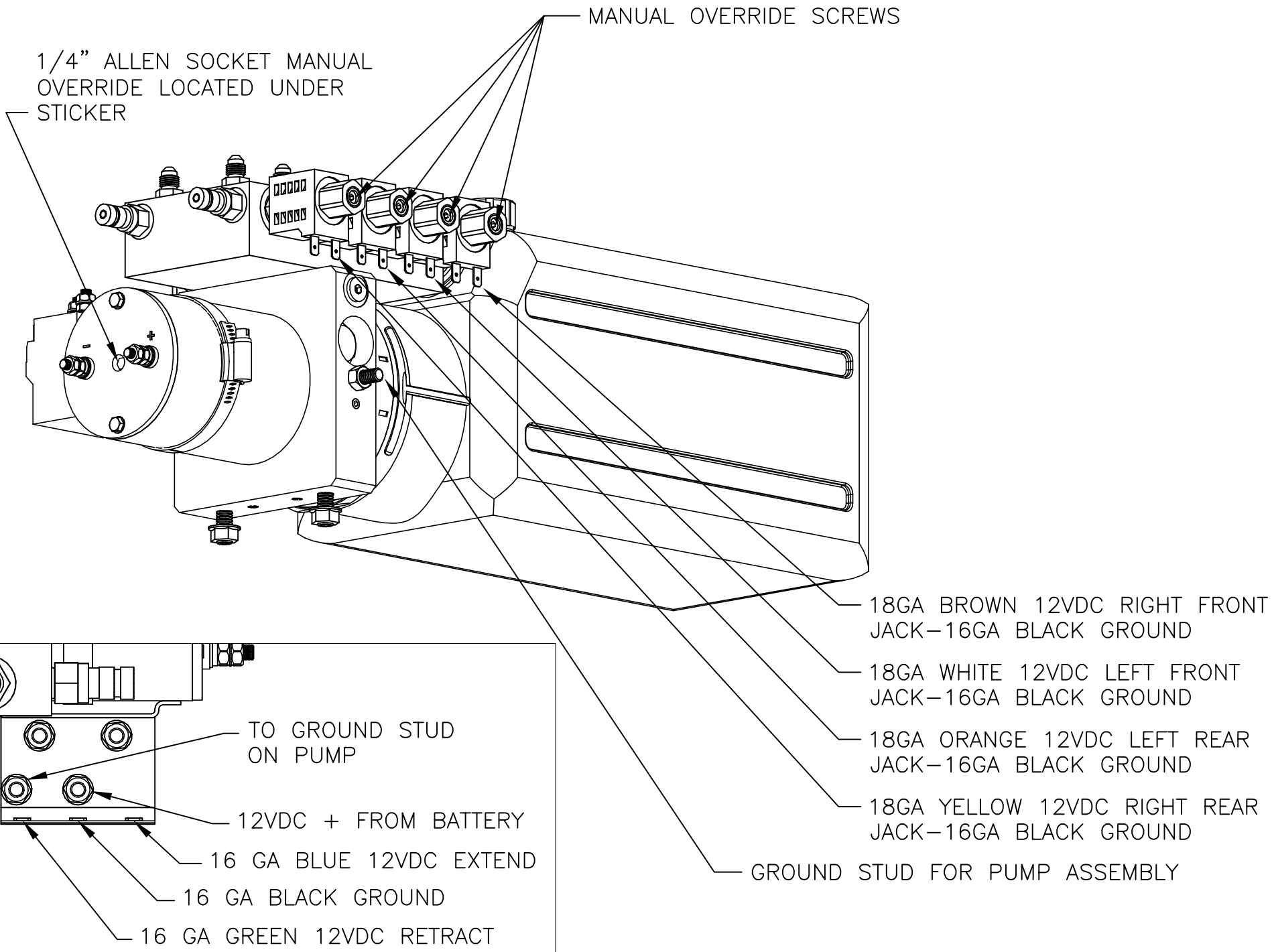
HYDRAULIC HOSE CONNECTIONS 7837KS PUMP

B = RETRACT FUNCTION
B1 = RIGHT FRONT JACK
(WHITE/BLACK)
B4 = RIGHT REAR JACK
(YELLOW/BLACK)



T = EXTEND FUNCTION
T1 = LEFT FRONT JACK (BROWN)
T2 = RIGHT FRONT JACK (WHITE)
T3 = LEFT REAR JACK (ORANGE)
T4 = RIGHT REAR JACK (YELLOW)

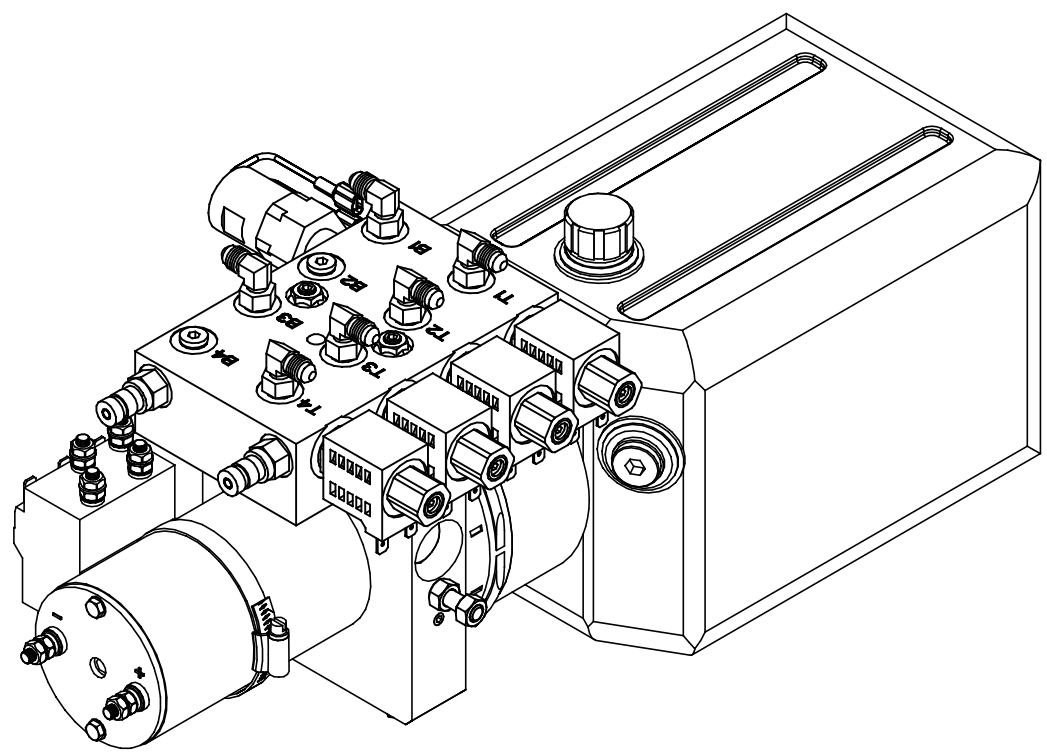
7837KS PUMP WIRING



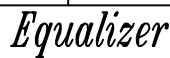
7948KS PARTS LIST

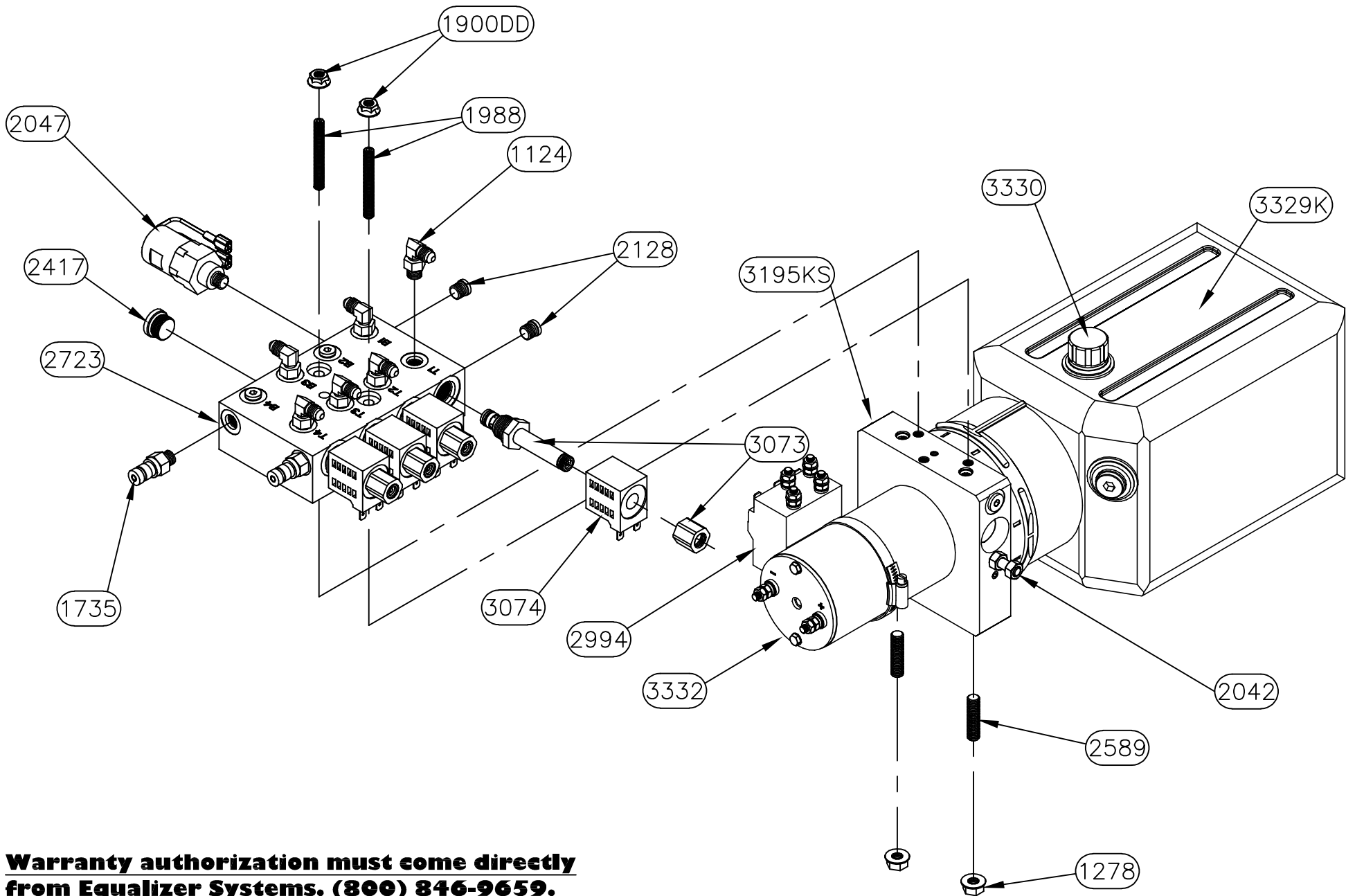
PART#	DESCRIPTION	QUAN
1124	FITTING-#4 JIC X #4 OR MALE 90	6
1278	NUT-3/8 FLANGE	2
1735	FITTING-DF04-1/4 DIAG. TIP	2
1900DD	NUT-5/16-18 FLANGE LK REG Z	2
1988	SCREW-5/16-18 X 2-3/4 SOC SET C/P	2
2042	NUT-5/16-18 HEX ZINC	1
2047	SWITCH-PRESSURE SWITCH 1200 PSI	1
2128	PLUG-#4 SOCKET HEAD O-RING	4
2417	PLUG-#8 SOCKET HEAD O-RING	1
2589	SCREW-3/8-16 X 1 1/2 CUP PT SSS	2
2723	MANIFOLD-BIROT 4 FUNC.	1
3073	VALVE-DELTROL	4
3074	COIL-DELTROL	4
3195KS	PUMP-BR-3" -MOTOR-5 QT-KS	1
6572C	HARNESS, 10" POWER AND GROUND FEED CONTACTOR	1
6649BR	HARNESS, 5 FUNC PUMP GROUND LEAD BIROT	1
6910	HARNESS, 4 FUNC BIROT 3IN/CONTACTOR	1
2994	CONTACTOR-REVERSING	1
3329K	RESERVOIR-KIT-3195KS	1
3330	CAP-FILL-3195KS-3200KS-3201KS	1
3332	MOTOR-3195KS-3200KS-3201KS	1

NOTE:
 PARTS 2994, 3329K, 3330, & 3332 ARE INCLUDED IN PART 3195KS AS AN ASSEMBLY. THESE NUMBERS WOULD BE USED TO ORDER REPLACEMENT PARTS.
 HARNESSES 6572C, 6649BR, AND 6910 ARE NOT SHOWN.



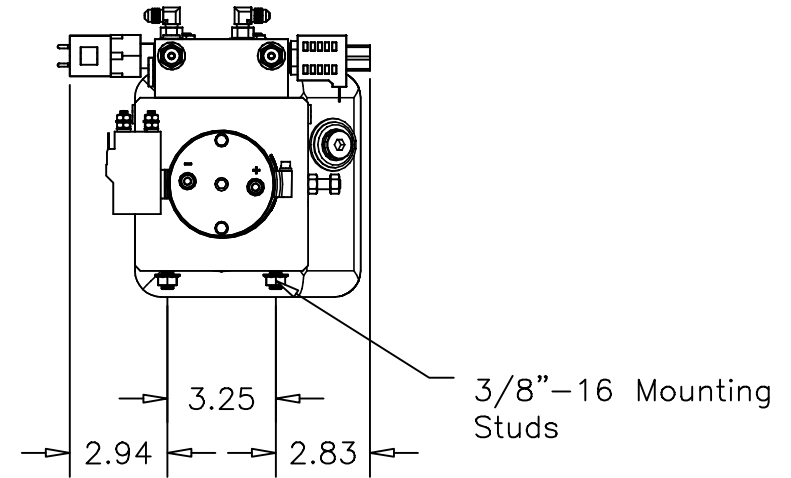
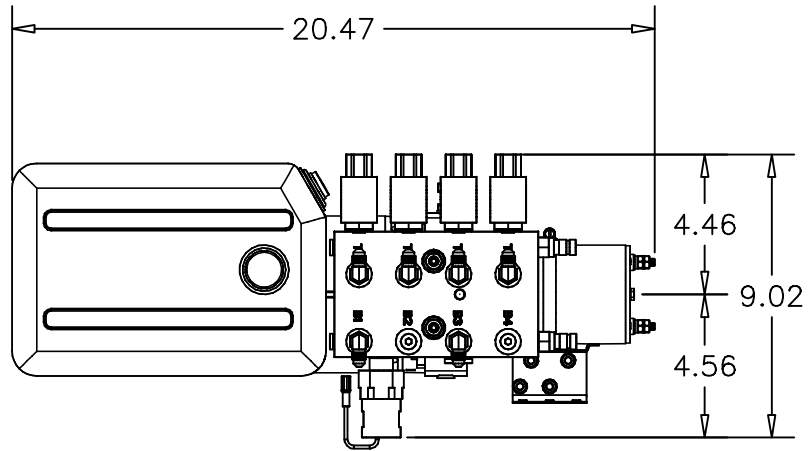
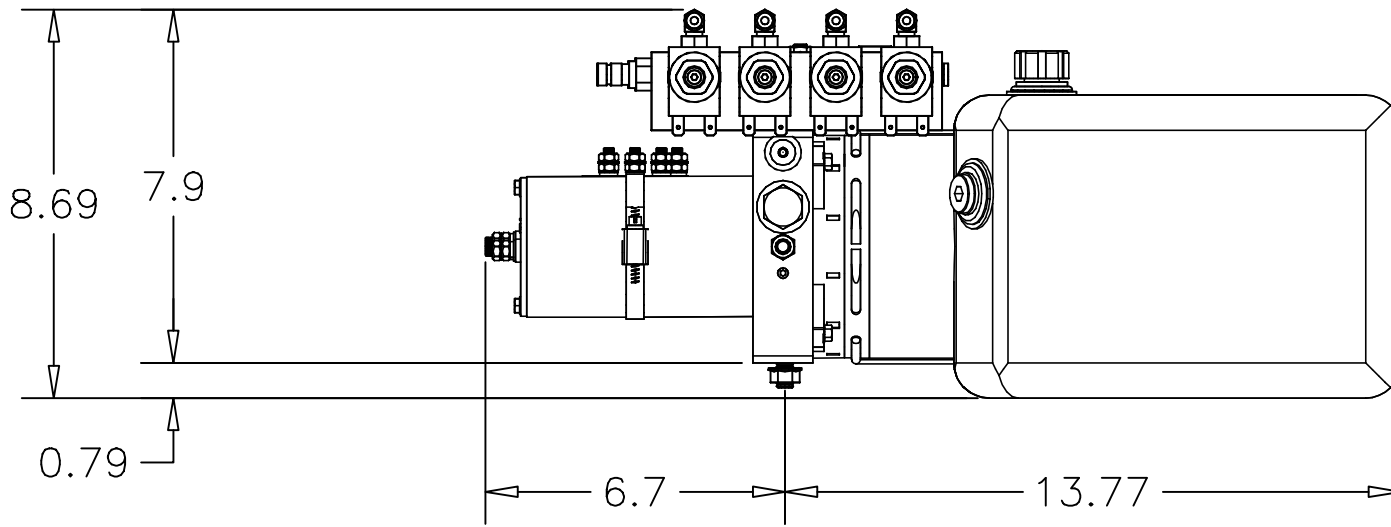
Warranty authorization must come directly from Equalizer Systems. (800) 846-9659.

 55169 COUNTY ROAD 3 ELKHART, IN 46515	#	REVISIONS	BY:	DATE:	UNLESS OTHERWISE SPECIFIED: TOLERANCES: .XXX ± 0.010 .XX ± 0.010 .X ± 0.030 ANG. ± 1/2" REMOVE ALL BURRS AND SHARP EDGES .015 MAX	TITLE	USED ON:
						4 FUNCTION PUMP CANYON STAR	
NOTICE - This drawing, including principles of design, is the property of Days Corporation, Elkhart, Indiana, with the agreement that it is not to be reproduced, copied, or loaned in any manner that may constitute a detriment directly or indirectly to Days Corporation. Acceptance of this will be construed as an agreement of the above.						SIZE SCALE MATERIAL A 1: 1	
						DRW BY: SJ DATE: 1/24/20	PART NAME: PUMP & MAN 4 FUNC BIROT MOS-DS-KS
						APP'D BY: - DATE: -	PAGE: 1 OF 3 DWG NO.: P7948KS REV: -



Warranty authorization must come directly from Equalizer Systems. (800) 846-9659.

Equalizer 55169 COUNTY ROAD 3 ELKHART, IN 46515	#	REVISIONS	BY:	DATE:	UNLESS OTHERWISE SPECIFIED: TOLERANCES: .XXX ± 0.010 .XX ± 0.010 .X ± 0.030 ANG. ± 1/2" REMOVE ALL BURRS AND SHARP EDGES .015 MAX	TITLE	USED ON:
	NOTICE - This drawing, including principles of design, is the property of Days Corporation, Elkhart, Indiana, with the agreement that it is not to be reproduced, copied, or loaned in any manner that may constitute a detriment directly or indirectly to Days Corporation. Acceptance of this will be construed as an agreement of the above.						4 FUNCTION PUMP SIZE SCALE MATERIAL A 1: 1
						DRW BY: SJ DATE: 1/24/20	PART NAME: PUMP & MAN 4 FUNC BIROT MOS-DS-KS
						APP'D BY: - DATE: -	PAGE: 2 OF 3 DWG NO.: P7948KS REV: -



Equalizer

55169 COUNTY ROAD 3
ELKHART, IN 46515

#	REVISIONS	BY:	DATE:

UNLESS OTHERWISE SPECIFIED:
TOLERANCES:
.XXX ± 0.010
.XX ± 0.010
.X ± 0.030
ANG. ± 1/2"
REMOVE ALL BURRS AND SHARP EDGES .015 MAX

TITLE		USED ON:	
4 FUNCTION PUMP		CANYON STAR	
SIZE	SCALE	MATERIAL	
A	1:1		
DRW BY:	DATE:	PART NAME:	
SJ	1/24/20	PUMP & MAN 4 FUNC BIROT MOS-DS-KS	
APP'D BY:	DATE:	PAGE:	DWG NO.:
		3 OF 3	P7948KS
			REV:

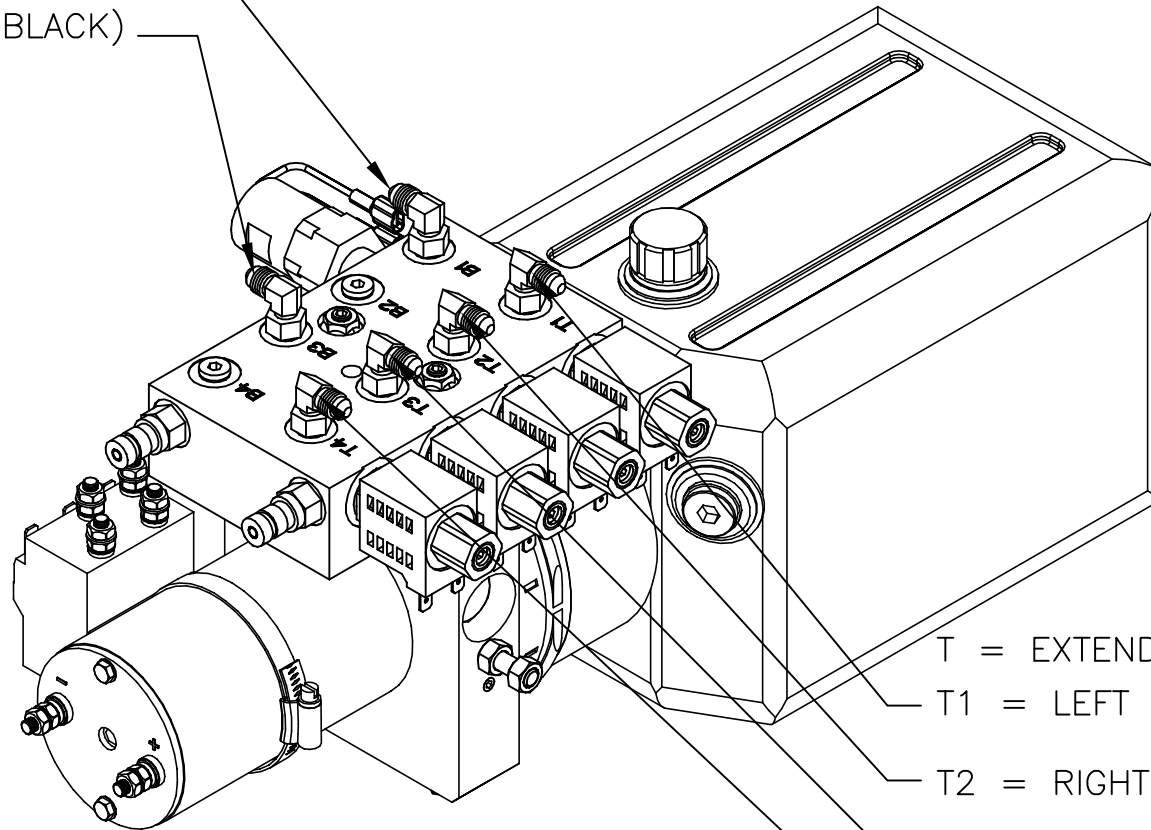
NOTICE - This drawing, including principles of design, is the property of Days Corporation, Elkhart, Indiana, with the agreement that it is not to be reproduced, copied, or loaned in any manner that may constitute a detriment directly or indirectly to Days Corporation. Acceptance of this will be construed as an agreement of the above.

HYDRAULIC HOSE CONNECTIONS 7948KS PUMP

B = RETRACT FUNCTION

B1 = LEFT FRONT JACK
(BROWN/BLACK)

B3 = LEFT REAR JACK
(ORANGE/BLACK)



T = EXTEND FUNCTION

T1 = LEFT FRONT JACK (BROWN)

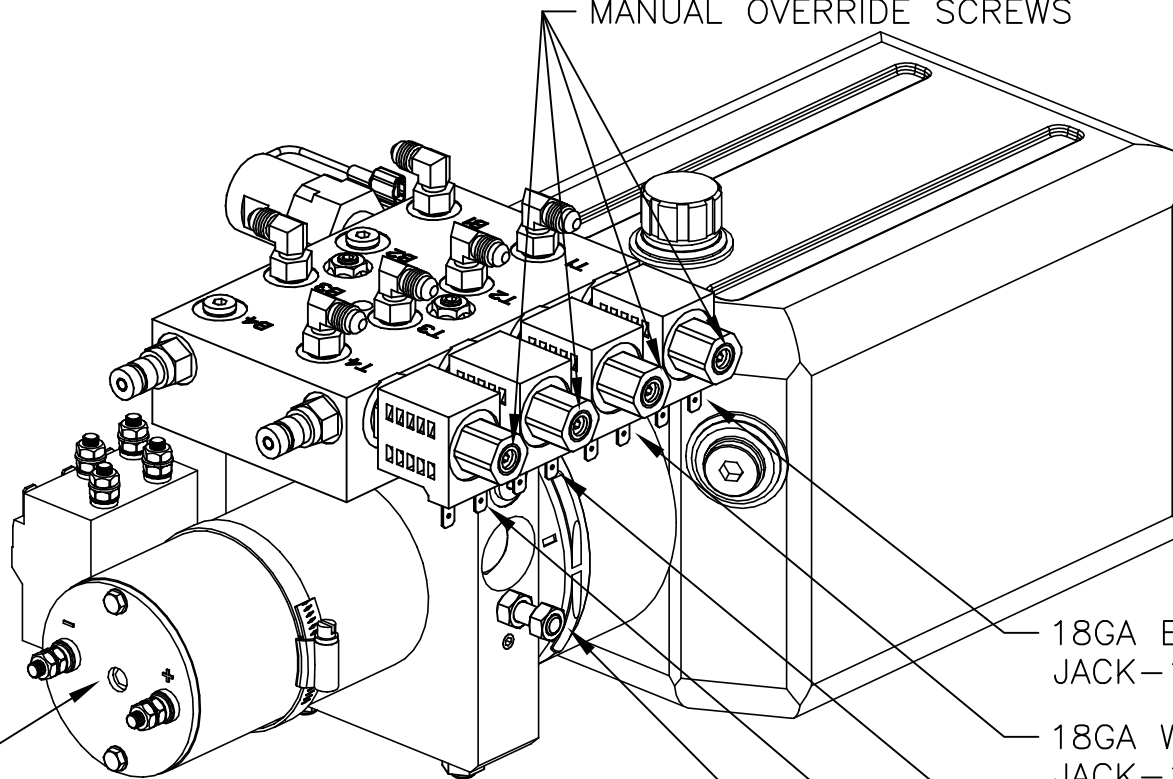
T2 = RIGHT FRONT JACK (WHITE)

T3 = LEFT REAR JACK (ORANGE)

T4 = RIGHT REAR JACK (YELLOW)

7948KS PUMP WIRING

MANUAL OVERRIDE SCREWS



1/4" ALLEN SOCKET MANUAL
OVERRIDE LOCATED UNDER
STICKER

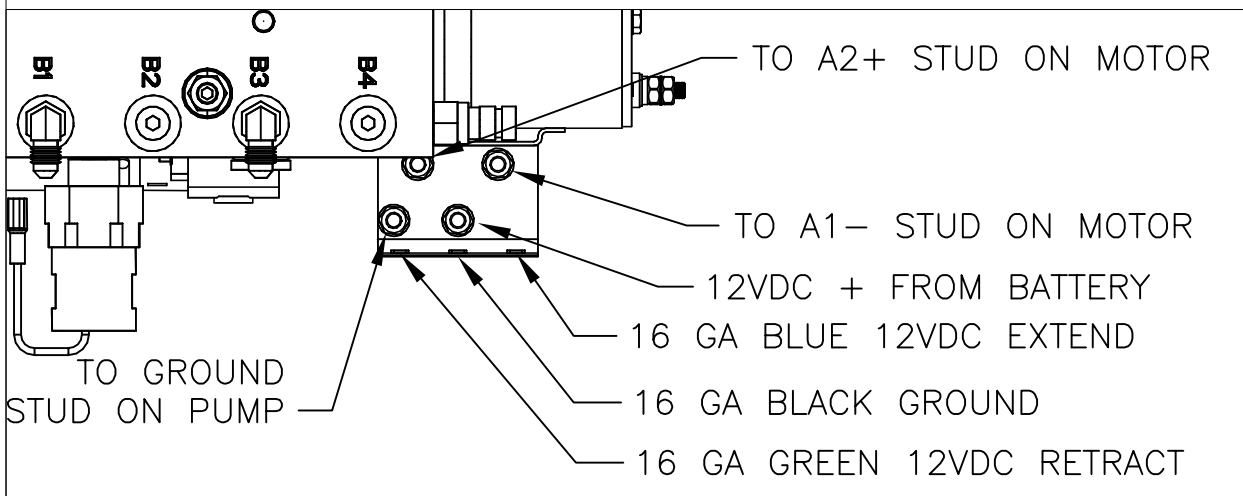
18GA BROWN 12VDC LEFT FRONT
JACK-16GA BLACK GROUND

18GA WHITE 12VDC RIGHT FRONT
JACK-16GA BLACK GROUND

18GA ORANGE 12VDC LEFT REAR
JACK-16GA BLACK GROUND

18GA YELLOW 12VDC RIGHT REAR
JACK-16GA BLACK GROUND

GROUND STUD FOR PUMP ASSEMBLY



TO A2+ STUD ON MOTOR

TO A1- STUD ON MOTOR

12VDC + FROM BATTERY

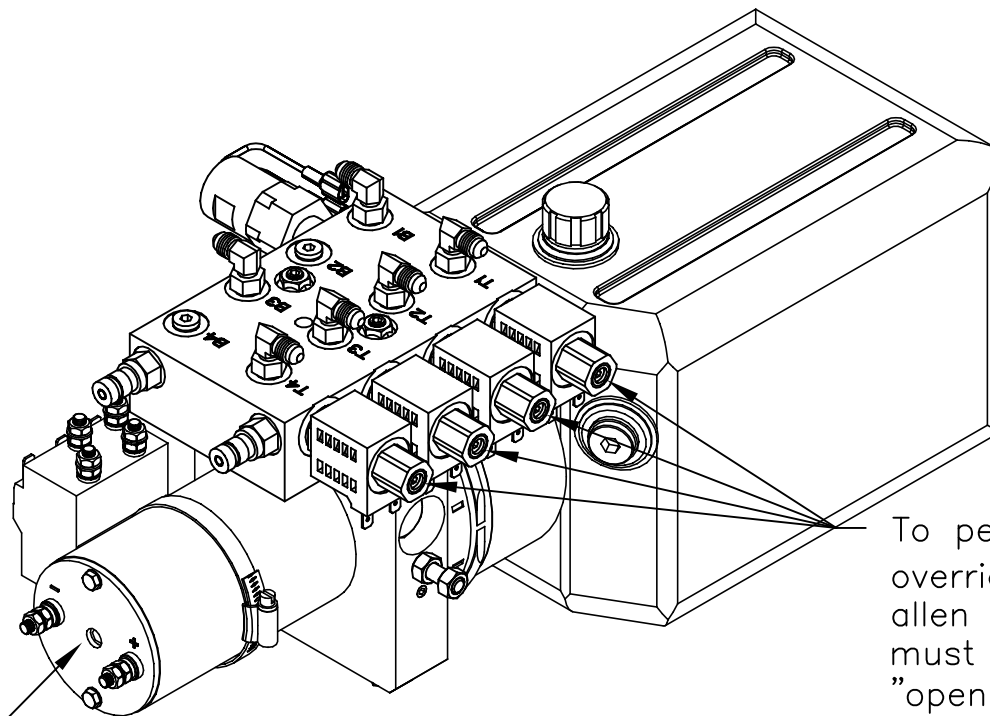
16 GA BLUE 12VDC EXTEND

16 GA BLACK GROUND

16 GA GREEN 12VDC RETRACT

TO GROUND
STUD ON PUMP

Small Bi-Rotational Pump Assembly



Manual override screw, 1/4" allen head, is under this sticker. Using a 2000 rpm minimum drill, retract jacks by turning counter clockwise. To extend, turn screw clockwise.

To perform the manual override procedure, using a 1/8" allen wrench, all set screws must be turned clockwise "open" until they are snug. Once all levelers are retracted, turn all valve screws counter clockwise "closed" until snug.

7214 PARTS LIST (ONE JACK)

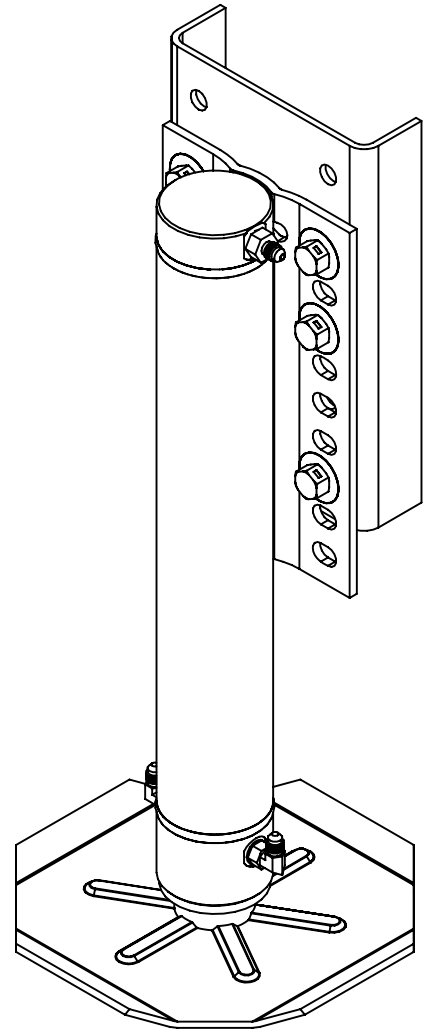
PART#	DESCRIPTION	QUAN
1383	SCREW-3/4-10 X 1 1/4 FHSCS Z	1
1800	CUSHION-DAMPENING RING-SMALL/THICK	1
1592	CYLINDER-2 1/2 X 16 SL	1
3151	FOOT-SL 10" OCT W/COLLAR	1

7761A PARTS LIST (FOUR JACKS)

1124	FITTING-#4 JIC X #4 OR MALE 90	6
1201	WASHER-1/2 SAE FLAT ZINC	24
1403	FITTING-RESTRICTOR #6 X #4	4
1911DD	BOLT-1/2-13 X 1 1/2 HCS ZINC GR 5	24
3116	NUT-1/2-13 FLANGE-SERR	24

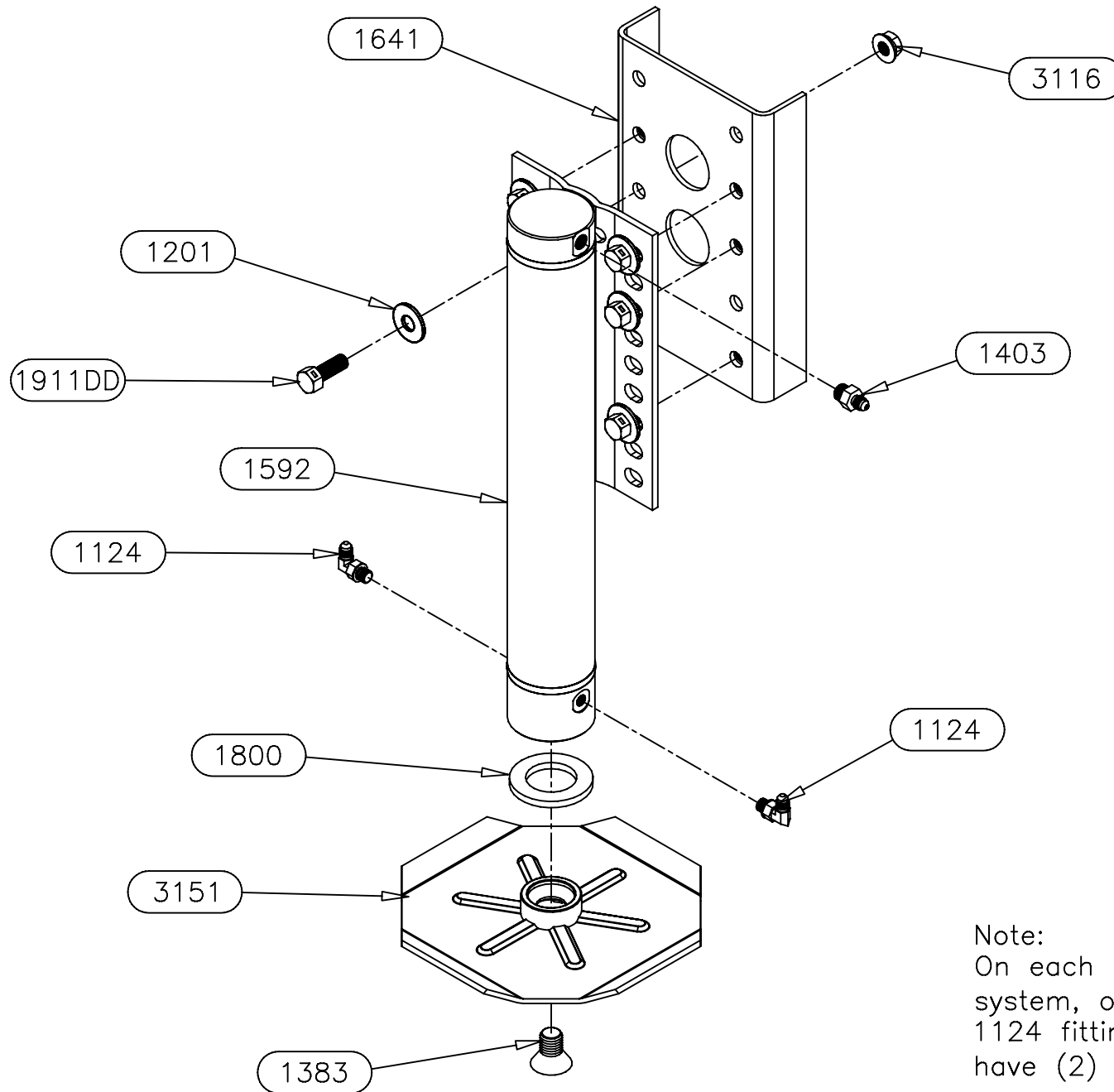
7761B PARTS LIST (FOUR JACKS)

1638	PLATE-LEG BOLT 3"	2
1641	PLATE-MH BOLT 2" 10 HOLE	2



Warranty authorization must come directly from Equalizer Systems. (800) 846-9659.

Equalizer 55169 COUNTY ROAD 3 ELKHART, IN 46515	#	REVISIONS	BY:	DATE:	UNLESS OTHERWISE SPECIFIED: TOLERANCES: .XXX ± 0.010 .XX ± 0.010 .X ± 0.030 ANG. ± 1/2"	TITLE MH 16 SL LEG ASSEMBLY	USED ON: NEWMAR
	NOTICE - This drawing, including principles of design, is the property of Days Corporation, Elkhart, Indiana, with the agreement that it is not to be reproduced, copied, or loaned in any manner that may constitute a detriment directly or indirectly to Days Corporation. Acceptance of this will be construed as an agreement of the above.					REMOVE ALL BURRS AND SHARP EDGES .015 MAX	SIZE SCALE MATERIAL A 1:1 AS
						DRW BY: DATE: SJ 3/30/12	PART NAME: MH 16 SL LEG ASSEMBLY
						APP'D BY: DATE: - -	PAGE: DWG NO.: REV: 1 OF 3 P7214/7761 -



Note:
 On each pair of jacks in this system, one jack will have (1) 1124 fitting and the other will have (2) 1124 fittings.

Equalizer

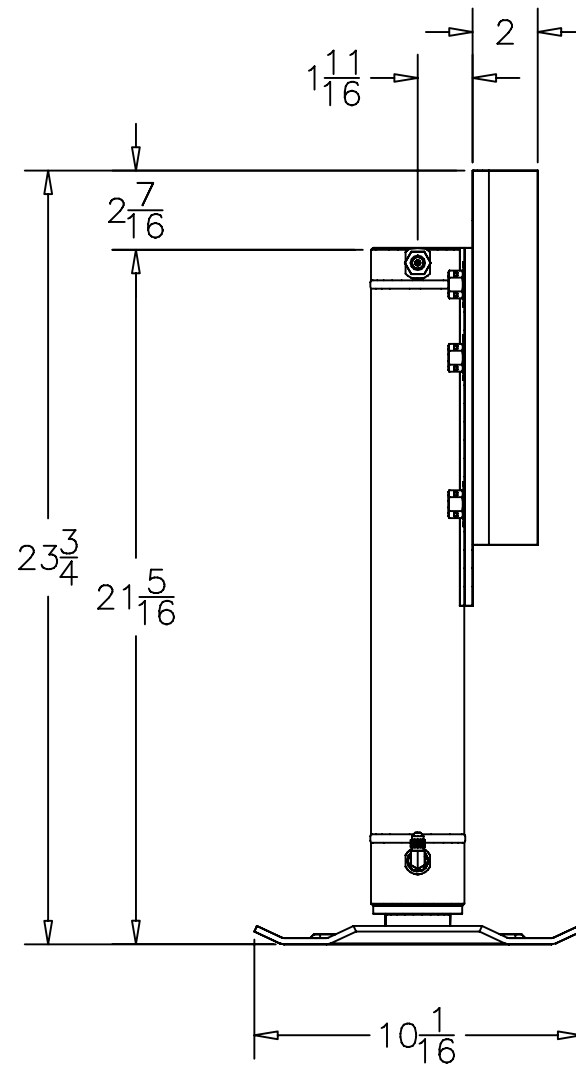
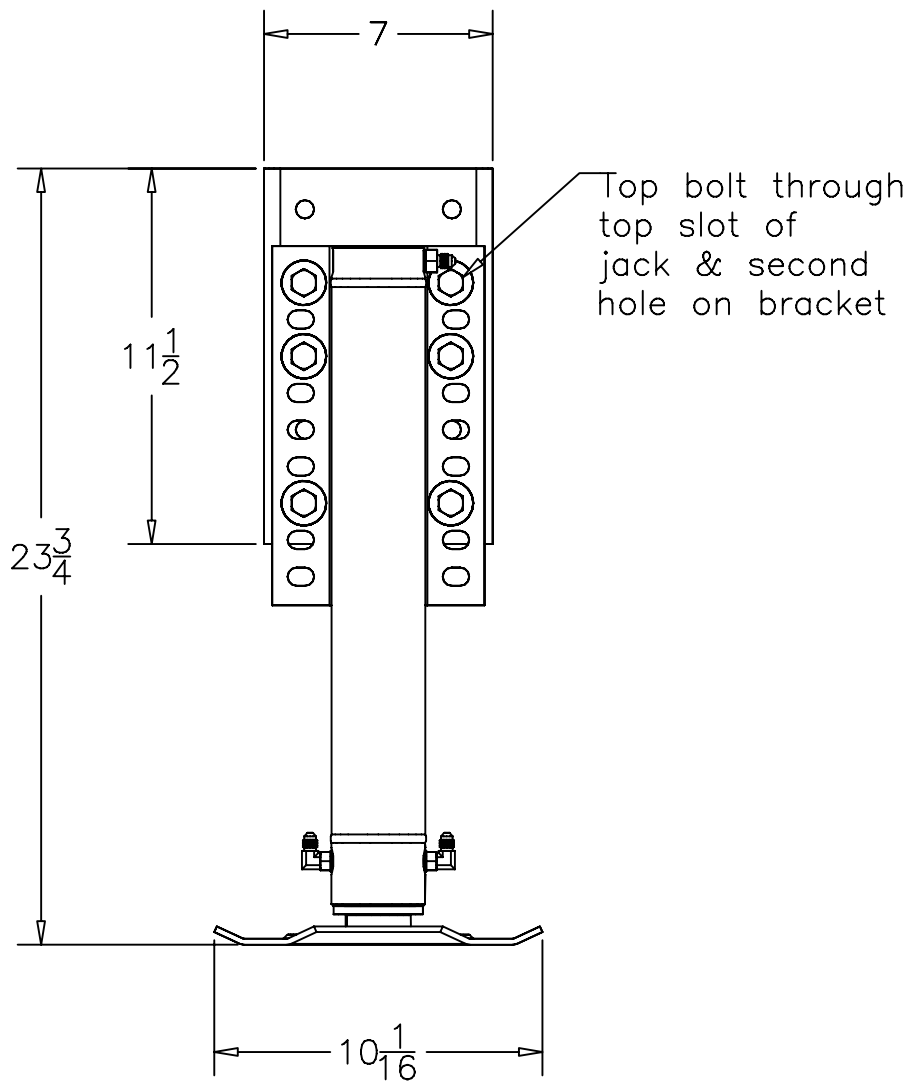
55169 COUNTY ROAD 3
 ELKHART, IN 46515

#	REVISIONS	BY:	DATE:

UNLESS OTHERWISE SPECIFIED:
 TOLERANCES:
 .XXX ± 0.010
 .XX ± 0.010
 .X ± 0.030
 ANG. ± 1/2"
 REMOVE ALL BURRS AND SHARP EDGES .015 MAX

TITLE			USED ON:		
MH 16 SL LEG ASSEMBLY			NEWMAR		
SIZE	SCALE	MATERIAL	NOTED		
A	1:1	AS			
DRW BY:	DATE:	PART NAME:			
SJ	3/30/12	MH 16 SL LEG ASSEMBLY			
APP'D BY:	DATE:	PAGE:	DWG NO.:	REV:	
		2 OF 3	P7214/7761		

NOTICE - This drawing, including principles of design, is the property of Days Corporation, Elkhart, Indiana, with the agreement that it is not to be reproduced, copied, or loaned in any manner that may constitute a detriment directly or indirectly to Days Corporation. Acceptance of this will be construed as an agreement of the above.



Equalizer

55169 COUNTY ROAD 3
ELKHART, IN 46515

#	REVISIONS	BY:	DATE:

UNLESS OTHERWISE SPECIFIED:
TOLERANCES:
.XXX ± 0.010
.XX ± 0.010
.X ± 0.030
ANG. ± 1/2"
REMOVE ALL BURRS AND SHARP EDGES .015 MAX

TITLE		USED ON:	
MH 16 SL LEG ASSEMBLY		NEWMAR	
SIZE	SCALE	MATERIAL	NOTED
A	1: 1	AS	
DRW BY:	DATE:	PART NAME:	
SJ	3/30/12	MH 16 SL LEG ASSEMBLY	
APP'D BY:	DATE:	PAGE:	DWG NO.:
—	—	3 OF 3	P7214/7761
			REV:
			—

NOTICE - This drawing, including principles of design, is the property of Days Corporation, Elkhart, Indiana, with the agreement that it is not to be reproduced, copied, or loaned in any manner that may constitute a detriment directly or indirectly to Days Corporation. Acceptance of this will be construed as an agreement of the above.

7636 PARTS LIST (ONE JACK)

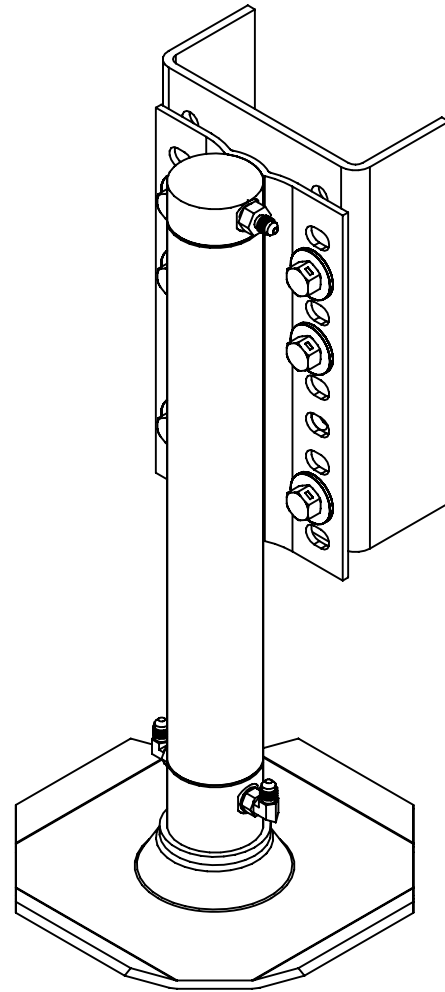
PART#	DESCRIPTION	QUAN
1383	SCREW-3/4-10 X 1 1/4 FHSCS Z	1
1683	FOOT-SL 10 X 10	1
1800	CUSHION-DAMPENING RING-SMALL/THICK	1
2943	CYLINDER-2 X 15 SL	1

7761A PARTS LIST (FOUR JACKS)

1124	FITTING-#4 JIC X #4 OR MALE 90	6
1201	WASHER-1/2 SAE FLAT ZINC	24
1403	FITTING-RESTRICTOR #6 X #4	4
1911DD	BOLT-1/2-13 X 1 1/2 HCS ZINC GR 5	24
3116	NUT-1/2-13 FLANGE-SERR	24

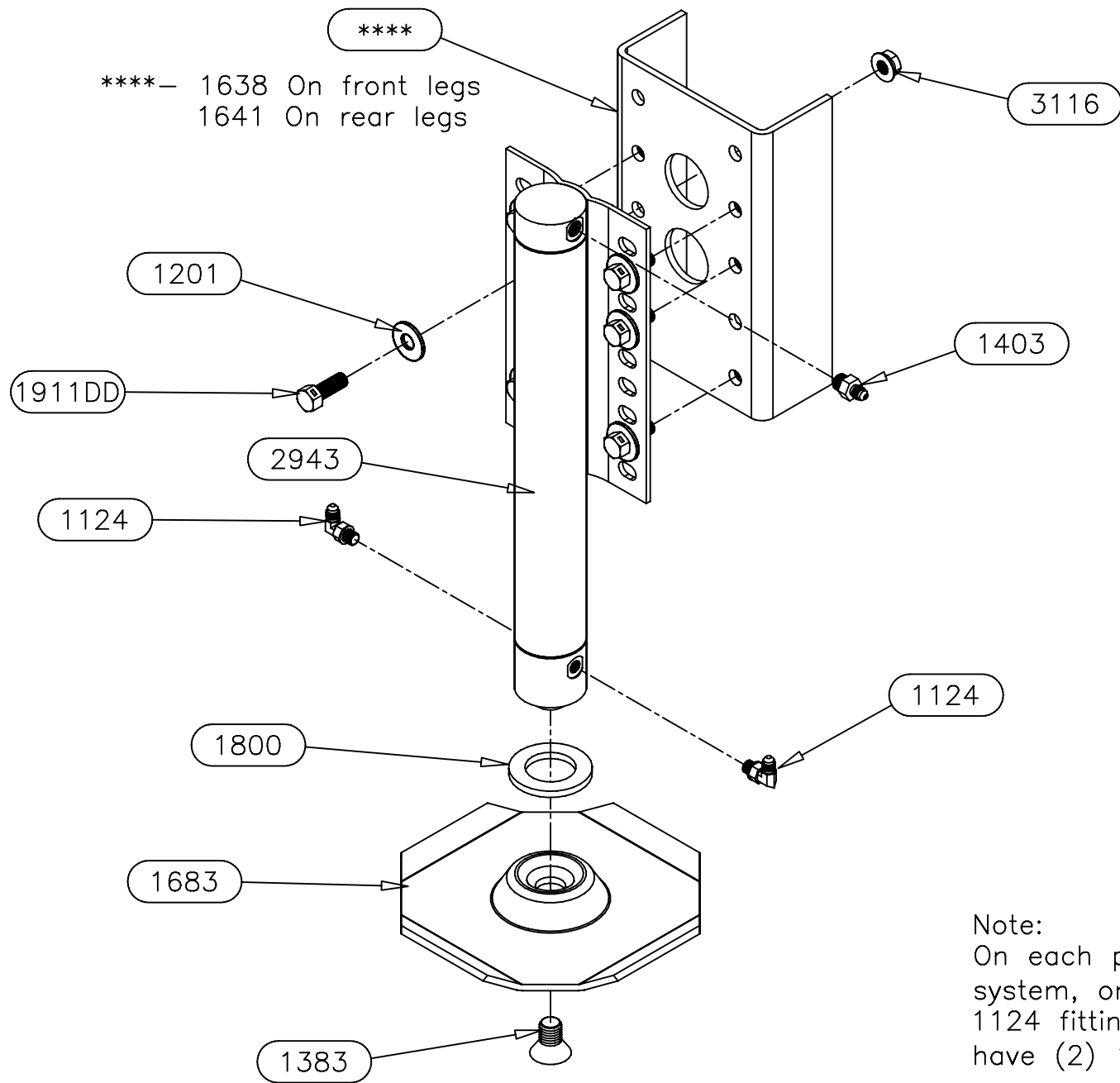
7761B PARTS LIST (FOUR JACKS)

1638	PLATE-LEG BOLT 3"	2
1641	PLATE-MH BOLT 2" 10 HOLE	2



Warranty authorization must come directly from Equalizer Systems. (800) 846-9659.

Equalizer 55169 COUNTY ROAD 3 ELKHART, IN 46515	#	REVISIONS	BY:	DATE:	UNLESS OTHERWISE SPECIFIED: TOLERANCES: .XXX ± 0.010 .XX ± 0.010 .X ± 0.030 ANG. ± 1/2" REMOVE ALL BURRS AND SHARP EDGES .015 MAX	TITLE	USED ON:	
	A	Updated hardware	SJ	4/6/12		MH 15 SL LEG ASSEMBLY	NEWMAR	
NOTICE - This drawing, including principles of design, is the property of Days Corporation, Elkhart, Indiana, with the agreement that it is not to be reproduced, copied, or loaned in any manner that may constitute a detriment directly or indirectly to Days Corporation. Acceptance of this will be construed as an agreement of the above.	B	Added dimensions	SJ	2/6/13	DRW BY: SJ DATE: 5/3/11 APP'D BY: - DATE: -	SIZE SCALE MATERIAL A 1:1 AS	PART NAME: MH 15 SL LEG ASSEMBLY	
						PAGE: 1 OF 3 DWG NO.: P7636/7761	NOTED	REV: B



Note:
On each pair of jacks in this system, one jack will have (1) 1124 fitting and the other will have (2) 1124 fittings.

Equalizer

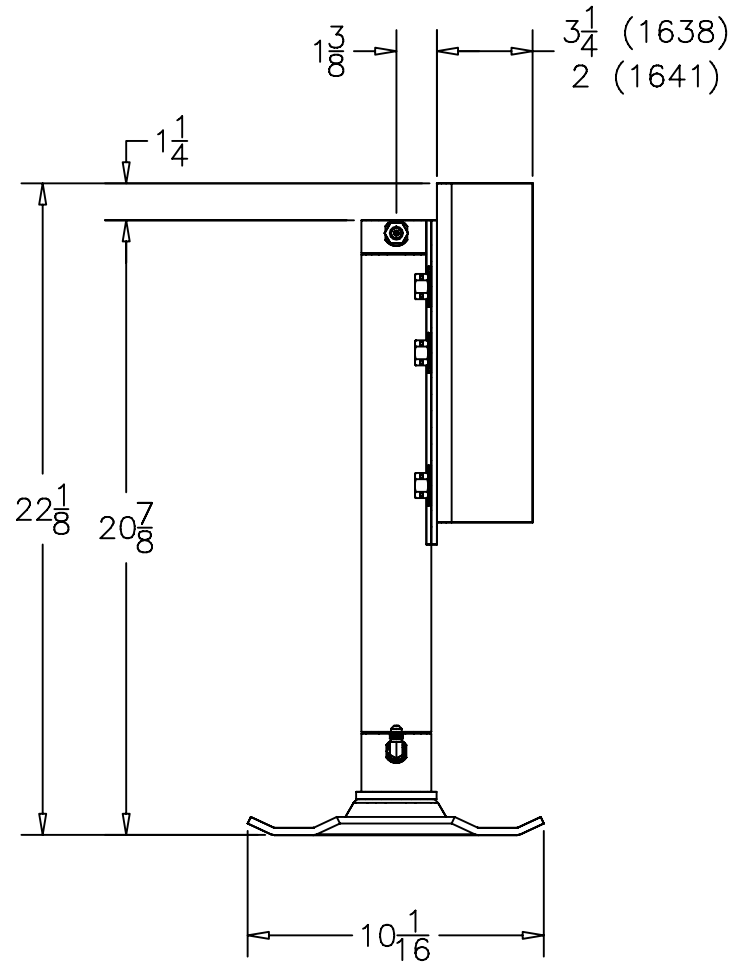
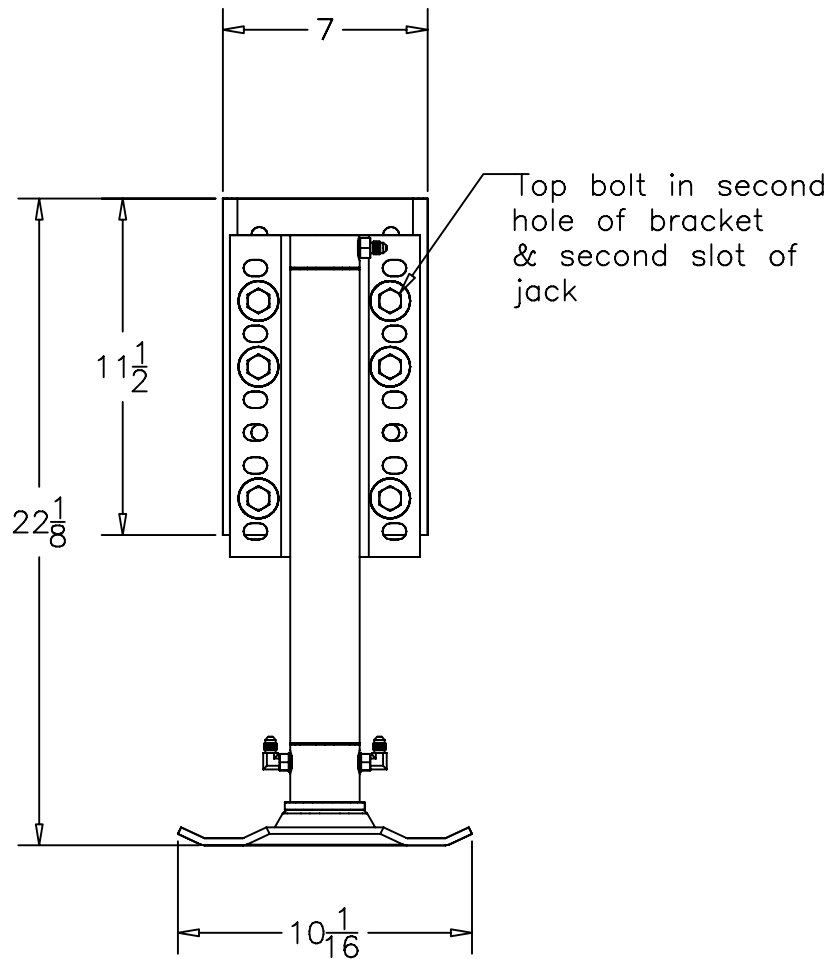
55169 COUNTY ROAD 3
ELKHART, IN 46515

#	REVISIONS	BY:	DATE:
A	Updated hardware	SJ	4/6/12
B	Added dimensions	SJ	2/6/13

UNLESS OTHERWISE SPECIFIED:
TOLERANCES:
.XXX ± 0.010
.XX ± 0.010
.X ± 0.030
ANG. ± 1/2"
REMOVE ALL BURRS AND SHARP EDGES .015 MAX

TITLE			USED ON:		
MH 15 SL LEG ASSEMBLY			NEWMAR		
SIZE	SCALE	MATERIAL	NOTED		
A	1:1	AS			
DRW BY:	DATE:	PART NAME:			
SJ	5/3/11	MH 15 SL LEG ASSEMBLY			
APP'D BY	DATE:	PAGE:	DWG NO.:	REV:	
		2 OF 3	P7636/7761	B	

NOTICE - This drawing, including principles of design, is the property of Days Corporation, Elkhart, Indiana, with the agreement that it is not to be reproduced, copied, or loaned in any manner that may constitute a detriment directly or indirectly to Days Corporation. Acceptance of this will be construed as an agreement of the above.



Equalizer

55169 COUNTY ROAD 3
ELKHART, IN 46515

#	REVISIONS	BY:	DATE:
A	Updated hardware	SJ	4/6/12
B	Added dimensions	SJ	2/6/13

UNLESS OTHERWISE SPECIFIED:
TOLERANCES:
.XXX ± 0.010
.XX ± 0.010
.X ± 0.030
ANG. ± 1/2"
REMOVE ALL BURRS AND SHARP EDGES .015 MAX

TITLE		USED ON:	
MH 15 SL LEG ASSEMBLY		NEWMAR	
SIZE	SCALE	MATERIAL	
A	1:1	AS NOTED	
DRW BY:	DATE:	PART NAME:	
SJ	5/3/11	MH 15 SL LEG ASSEMBLY	
APP'D BY	DATE:	PAGE:	DWG NO.:
-	-	3 OF 3	P7636/7761
			REV: B

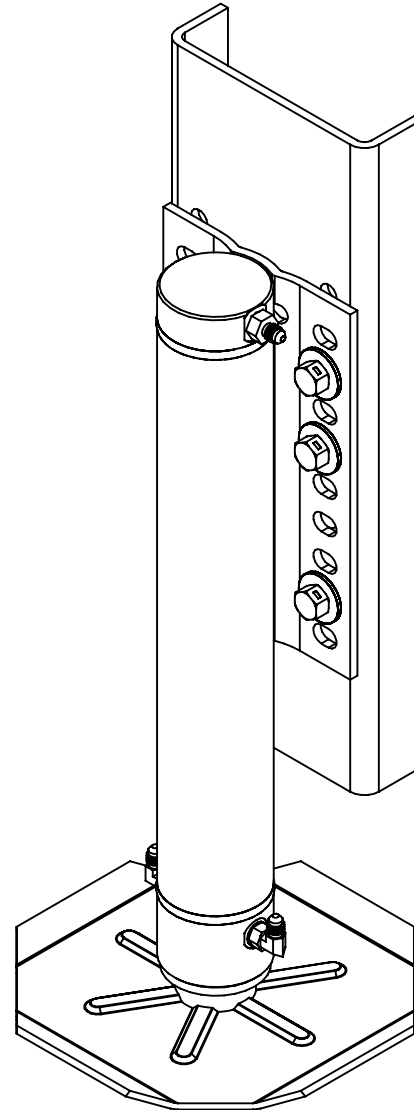
NOTICE - This drawing, including principles of design, is the property of Days Corporation, Elkhart, Indiana, with the agreement that it is not to be reproduced, copied, or loaned in any manner that may constitute a detriment directly or indirectly to Days Corporation. Acceptance of this will be construed as an agreement of the above.

7835 PARTS LIST (ONE JACK)


PART#	DESCRIPTION	QUAN
1201	WASHER-1/2 SAE FLAT ZINC	6
1383	SCREW-3/4-10 X 1 1/4 FHSCS Z	1
1592	CYLINDER-2 1/2 X 16 SL	1
1800	CUSHION-DAMPENING RING-SMALL/THICK	1
1911DD	BOLT-1/2-13 X 1 1/2 HCS ZINC GR 5	6
3116	NUT-1/2-13 FLANGE-SERR	6
3150	PLATE-SL LEG BOLT 2 X 19	1
3151	FOOT-SL 10" OCT. W/COLLAR	1

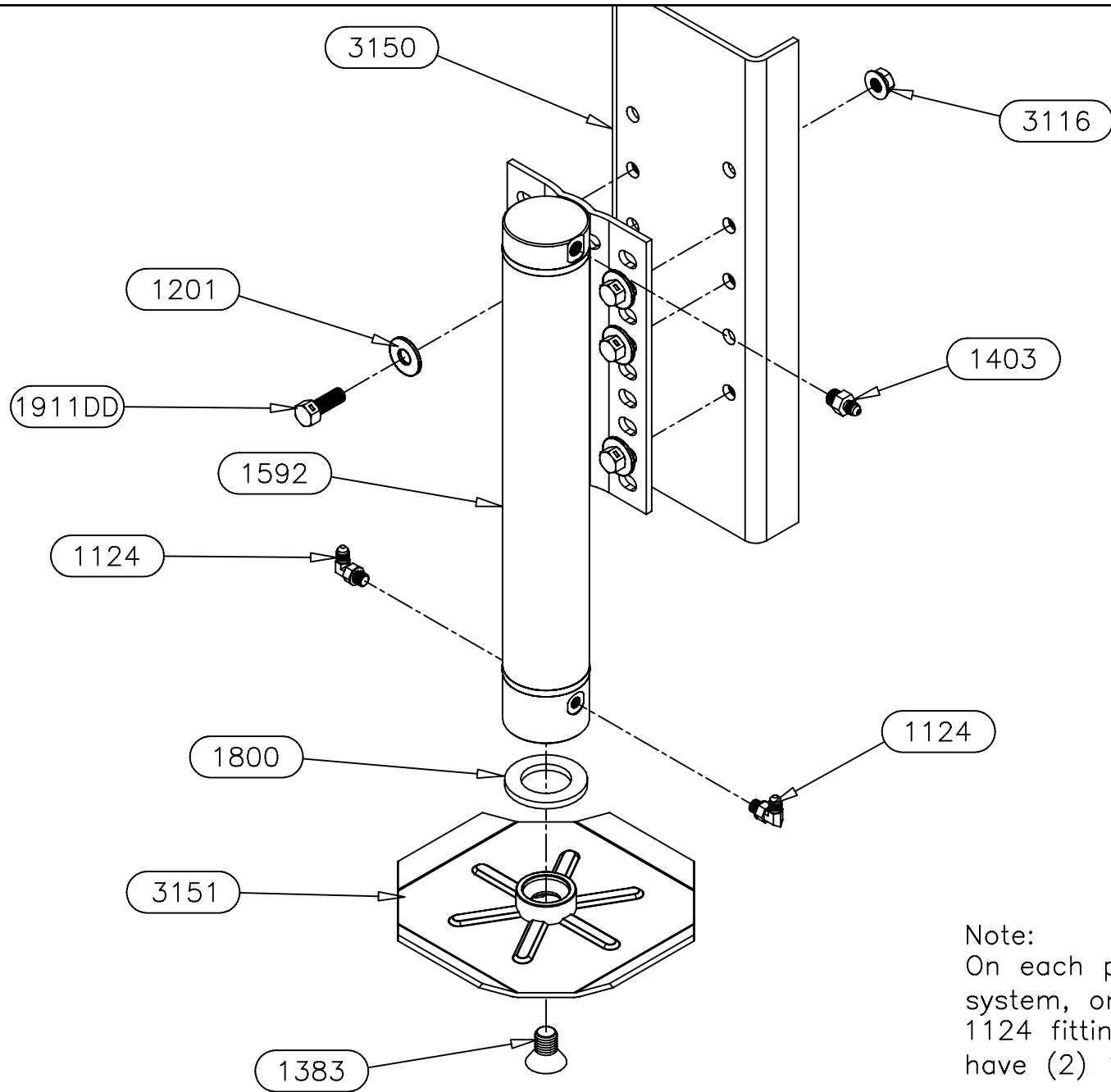
7836 PARTS LIST (FOUR JACKS)

1124	FITTING-#4 JIC X #4 OR MALE 90	6
1403	FITTING-RESTRICTOR #6 X #4	4



Warranty authorization must come directly from Equalizer Systems. (800) 846-9659.

 55169 COUNTY ROAD 3 ELKHART, IN 46515	#	REVISIONS	BY:	DATE:	UNLESS OTHERWISE SPECIFIED: TOLERANCES: .XXX ± 0.010 .XX ± 0.010 .X ± 0.030 ANG. ± 1/2"	TITLE MH 16 SL LEG ASSEMBLY	USED ON: NEWMAR DIESEL
	NOTICE - This drawing, including principles of design, is the property of Days Corporation, Elkhart, Indiana, with the agreement that it is not to be reproduced, copied, or loaned in any manner that may constitute a detriment directly or indirectly to Days Corporation. Acceptance of this will be construed as an agreement of the above.					REMOVE ALL BURRS AND SHARP EDGES .015 MAX	SIZE SCALE MATERIAL A 1:1 AS
						DRW BY: DATE: SJ 2/4/13	PAGE: DWG NO.: REV: 1 OF 3 P7835/7836 -



Note:
 On each pair of jacks in this system, one jack will have (1) 1124 fitting and the other will have (2) 1124 fittings.

Equalizer

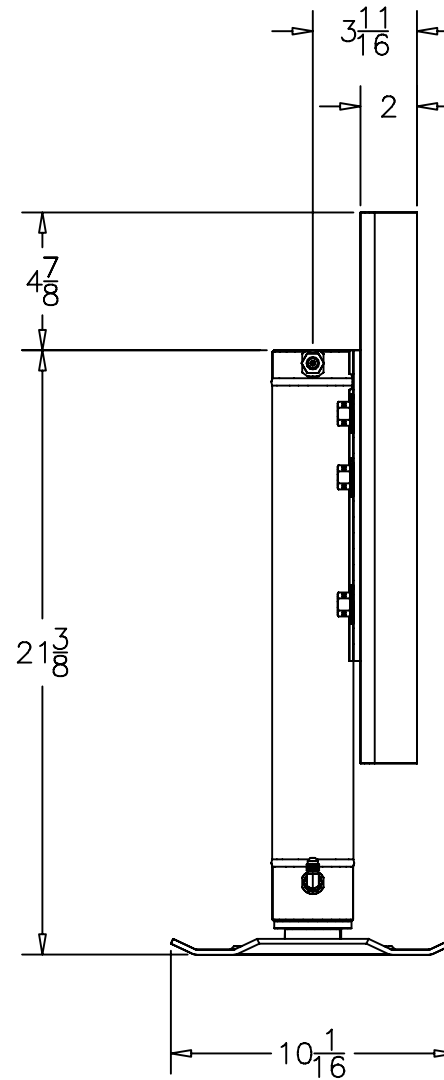
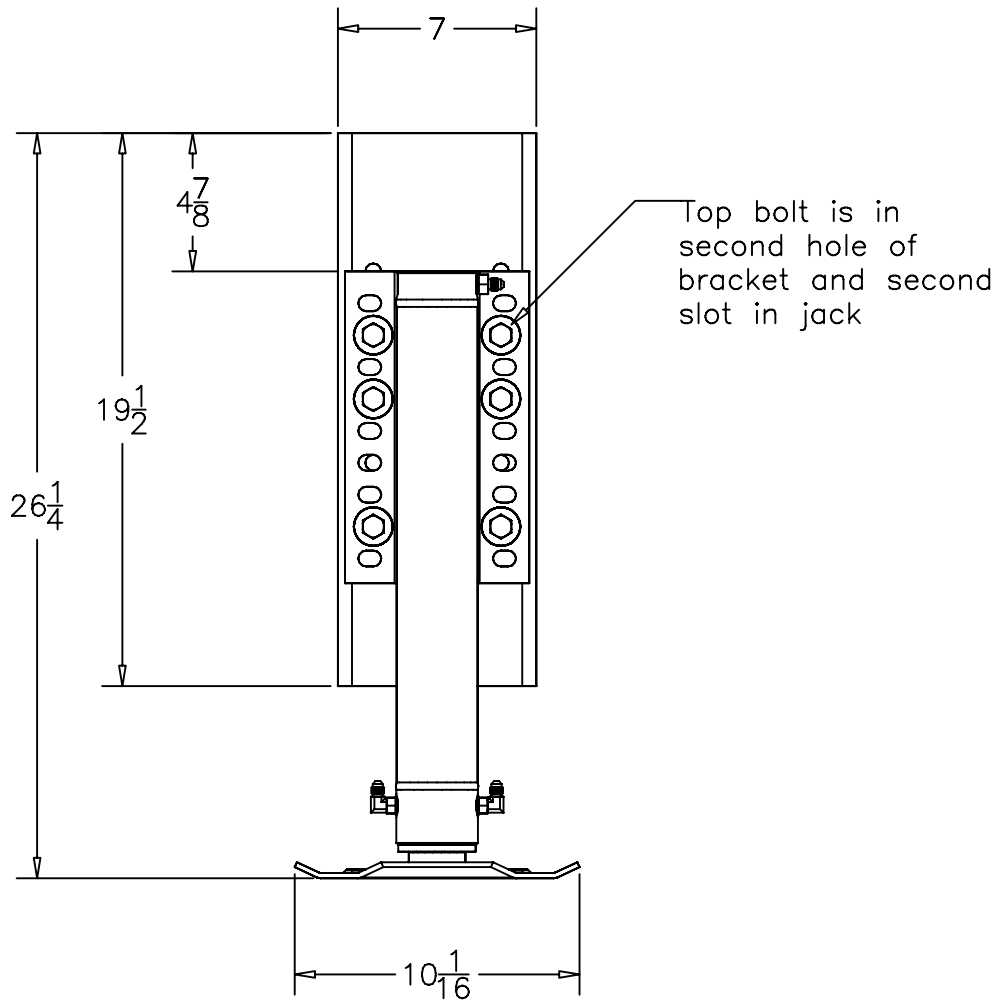
55169 COUNTY ROAD 3
 ELKHART, IN 46515

#	REVISIONS	BY:	DATE:

UNLESS OTHERWISE SPECIFIED:
 TOLERANCES:
 .XXX ± 0.010
 .XX ± 0.010
 .X ± 0.030
 ANG. ± 1/2"
 REMOVE ALL BURRS AND SHARP EDGES .015 MAX

TITLE			USED ON:		
MH 16 SL LEG ASSEMBLY			NEWMAR DIESEL		
SIZE	SCALE	MATERIAL	NOTED		
A	1:1	AS			
DRW BY:	DATE:	PART NAME:			
SJ	2/4/13	MH 16 SL LEG ASSEMBLY			
APP'D BY:	DATE:	PAGE:	DWG NO.:	REV:	
		2 OF 3	P7835/7836		

NOTICE - This drawing, including principles of design, is the property of Days Corporation, Elkhart, Indiana, with the agreement that it is not to be reproduced, copied, or loaned in any manner that may constitute a detriment directly or indirectly to Days Corporation. Acceptance of this will be construed as an agreement of the above.



Equalizer

55169 COUNTY ROAD 3
ELKHART, IN 46515

#	REVISIONS	BY:	DATE:

UNLESS OTHERWISE SPECIFIED:
TOLERANCES:
.XXX ± 0.010
.XX ± 0.010
.X ± 0.030
ANG. ± 1/2"
REMOVE ALL BURRS AND SHARP EDGES .015 MAX

TITLE MH 16 SL LEG ASSEMBLY		USED ON: NEWMAR DIESEL	
SIZE A	SCALE 1:1	MATERIAL AS NOTED	
DRW BY: SJ	DATE: 2/4/13	PART NAME: MH 16 SL LEG ASSEMBLY	
APP'D BY -	DATE: -	PAGE: 3 OF 3	DWG NO.: P7835/7836
			REV: -

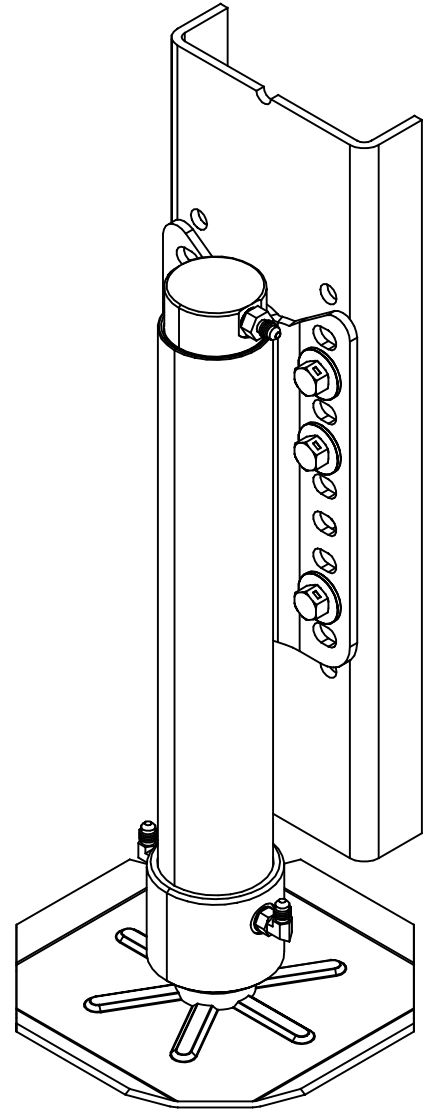
NOTICE - This drawing, including principles of design, is the property of Days Corporation, Elkhart, Indiana, with the agreement that it is not to be reproduced, copied, or loaned in any manner that may constitute a detriment directly or indirectly to Days Corporation. Acceptance of this will be construed as an agreement of the above.

7835A PARTS LIST (ONE JACK)

PART#	DESCRIPTION	QUAN
1201	WASHER-1/2 SAE FLAT ZINC	6
1383	SCREW-3/4-10 X 1 1/4 FHSCS Z	1
1592	CYLINDER-2 1/2 X 16 SL	1
1800	CUSHION-DAMPENING RING-SMALL/THICK	1
1911DD	BOLT-1/2-13 X 1 1/2 HCS ZINC GR 5	6
3116	NUT-1/2-13 FLANGE-SERR	6
3150A	PLATE-SL LEG BOLT 2 X 21	1
3151	FOOT-SL 10" OCT. W/COLLAR	1

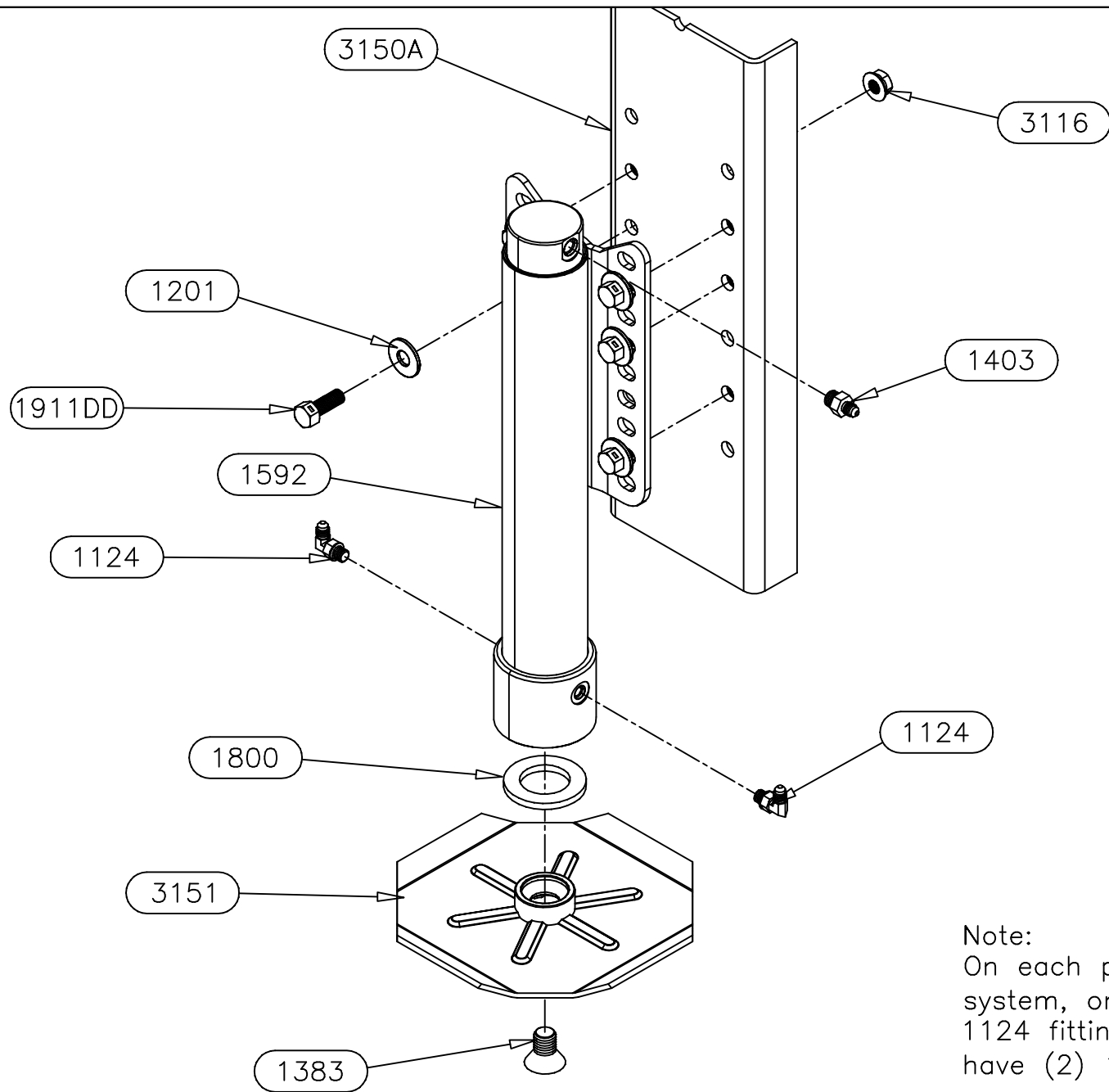
7836 PARTS LIST (FOUR JACKS)

1124	FITTING-#4 JIC X #4 OR MALE 90	6
1403	FITTING-RESTRICTOR #6 X #4	4



Warranty authorization must come directly from Equalizer Systems. (800) 846-9659.

<p>Equalizer 55169 COUNTY ROAD 3 ELKHART, IN 46515</p> <p>NOTICE - This drawing, including principles of design, is the property of Days Corporation, Elkhart, Indiana, with the agreement that it is not to be reproduced, copied, or loaned in any manner that may constitute a detriment directly or indirectly to Days Corporation. Acceptance of this will be construed as an agreement of the above.</p>	#	REVISIONS	BY:	DATE:	UNLESS OTHERWISE SPECIFIED:	TITLE	USED ON:		
					TOLERANCES: .XXX ± 0.010 .XX ± 0.010 .X ± 0.030 ANG. ± 1/2" REMOVE ALL BURRS AND SHARP EDGES .015 MAX	MH 16 SL LEG ASSEMBLY SIZE SCALE MATERIAL A 1:1 AS NOTED	NEWMAR DIESEL		
						DRW BY: SJ DATE: 2/11/19	PART NAME: MH 16 SL LEG ASSEMBLY		
						APP'D BY: - DATE: -	PAGE: 1 OF 3	DWG NO.: P7835A/7836	REV: -



Note:
 On each pair of jacks in this system, one jack will have (1) 1124 fitting and the other will have (2) 1124 fittings.

Equalizer

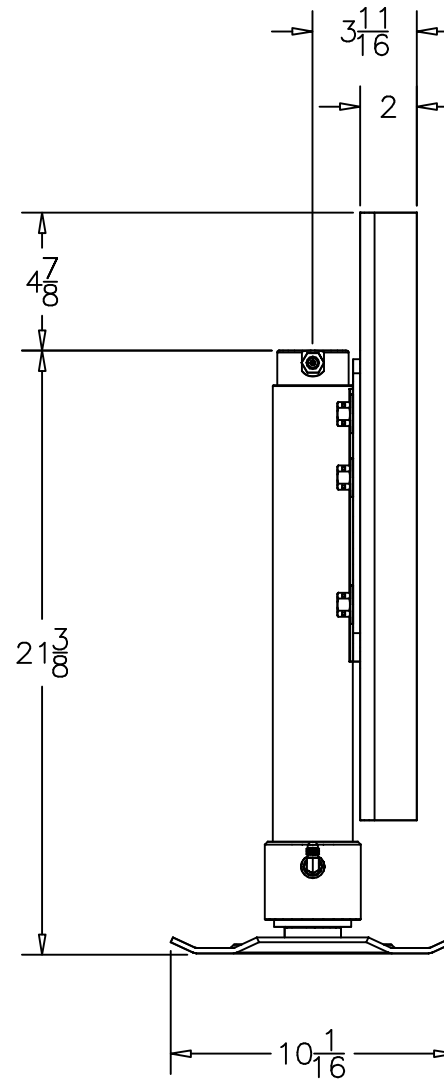
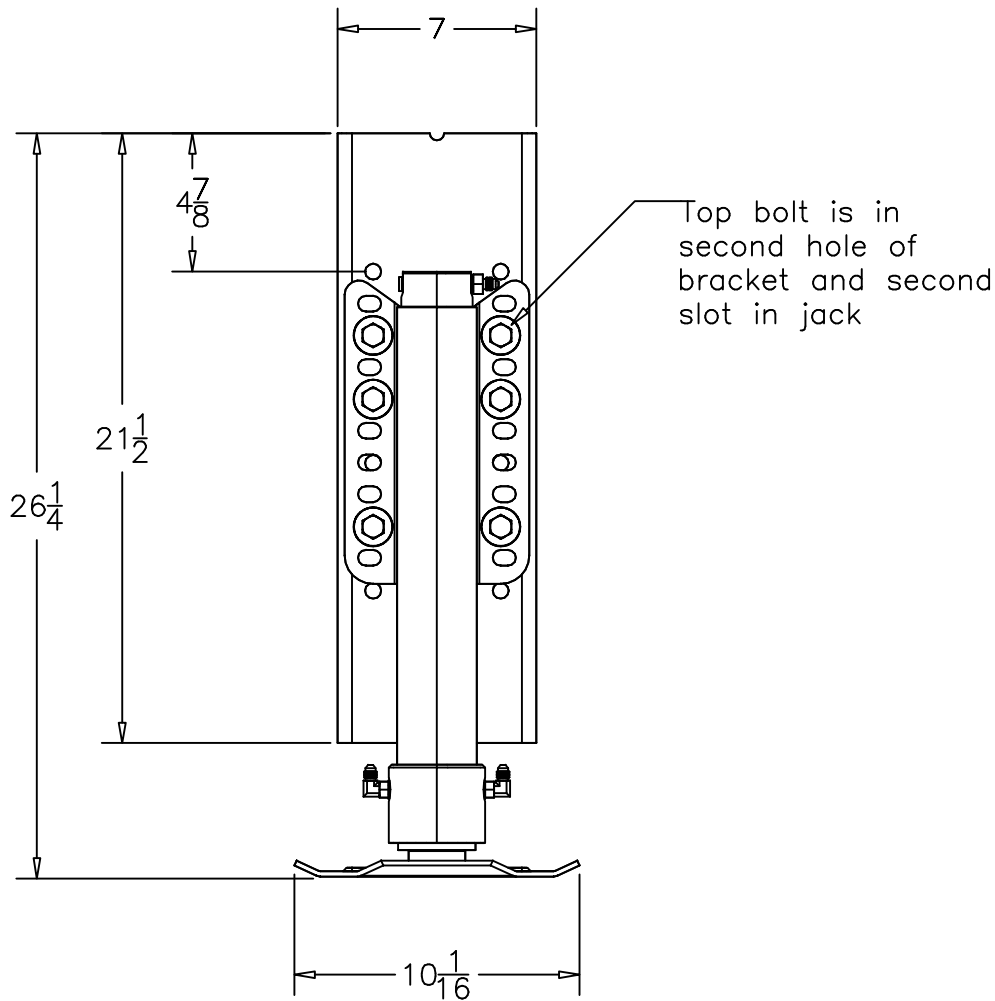
55169 COUNTY ROAD 3
 ELKHART, IN 46515

#	REVISIONS	BY:	DATE:

UNLESS OTHERWISE SPECIFIED:
 TOLERANCES:
 .XXX ± 0.010
 .XX ± 0.010
 .X ± 0.030
 ANG. ± 1/2"
 REMOVE ALL BURRS AND SHARP EDGES .015 MAX

TITLE			USED ON:		
MH 16 SL LEG ASSEMBLY			NEWMAR DIESEL		
SIZE	SCALE	MATERIAL	NOTED		
A	1:1	AS			
DRW BY:	DATE:	PART NAME:			
SJ	2/11/19	MH 16 SL LEG ASSEMBLY			
APP'D BY:	DATE:	PAGE:	DWG NO.:	REV:	
		2 OF 3	P7835A/7836		

NOTICE - This drawing, including principles of design, is the property of Days Corporation, Elkhart, Indiana, with the agreement that it is not to be reproduced, copied, or loaned in any manner that may constitute a detriment directly or indirectly to Days Corporation. Acceptance of this will be construed as an agreement of the above.



Equalizer

55169 COUNTY ROAD 3
ELKHART, IN 46515

#	REVISIONS	BY:	DATE:

NOTICE - This drawing, including principles of design, is the property of Days Corporation, Elkhart, Indiana, with the agreement that it is not to be reproduced, copied, or loaned in any manner that may constitute a detriment directly or indirectly to Days Corporation. Acceptance of this will be construed as an agreement of the above.

UNLESS OTHERWISE SPECIFIED:
TOLERANCES:
.XXX ± 0.010
.XX ± 0.010
.X ± 0.030
ANG. ± 1/2"
REMOVE ALL BURRS AND SHARP EDGES .015 MAX

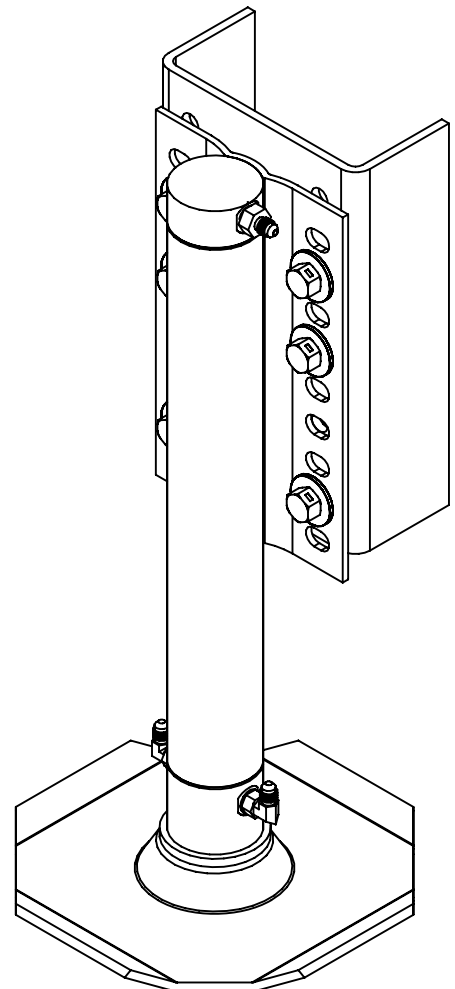
TITLE MH 16 SL LEG ASSEMBLY		USED ON: NEWMAR DIESEL	
SIZE A	SCALE 1:1	MATERIAL AS NOTED	
DRW BY: SJ	DATE: 2/11/19	PART NAME: MH 16 SL LEG ASSEMBLY	
APP'D BY: -	DATE: -	PAGE: 3 OF 3	DWG NO.: P7835A/7836
			REV: -

7850 PARTS LIST (ONE JACK)

PART#	DESCRIPTION	QUAN
1201	WASHER-1/2 SAE FLAT ZINC	6
1383	SCREW-3/4-10 X 1 1/4 FHSCS Z	1
1638	PLATE-LEG BOLT 3"	1
1683	FOOT-SL 10 X 10	1
1800	CUSHION-DAMPENING RING-SMALL/THICK	1
1911DD	BOLT-1/2-13 X 1 1/2 HCS ZINC GR 5	6
2943	CYLINDER-2 X 15 SL	1
3116	NUT-1/2-13 FLANGE-SERR	6

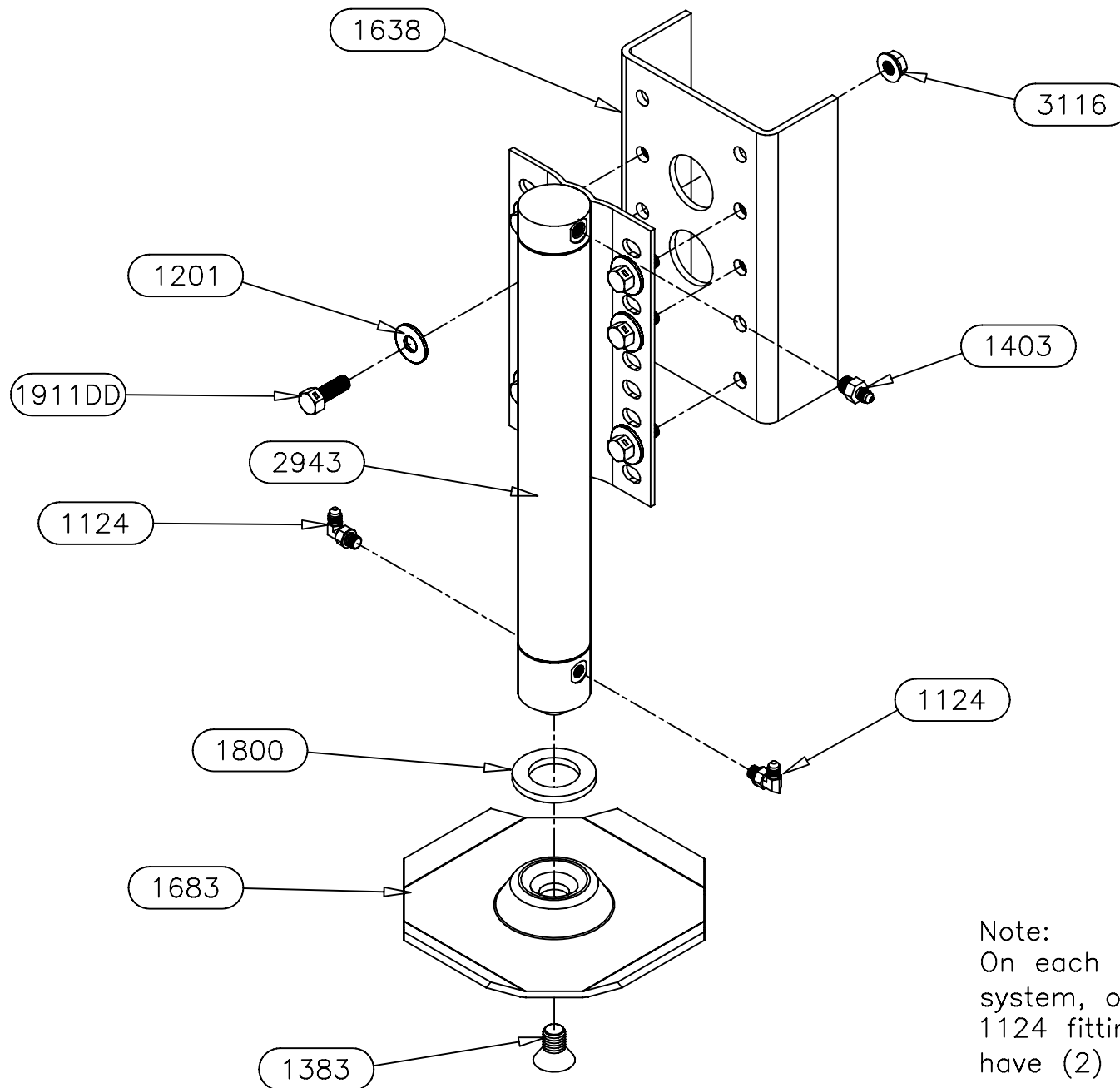
7836 PARTS LIST (FOUR JACKS)

1124	FITTING-#4 JIC X #4 OR MALE 90	6
1403	FITTING-RESTRICTOR #6 X #4	4



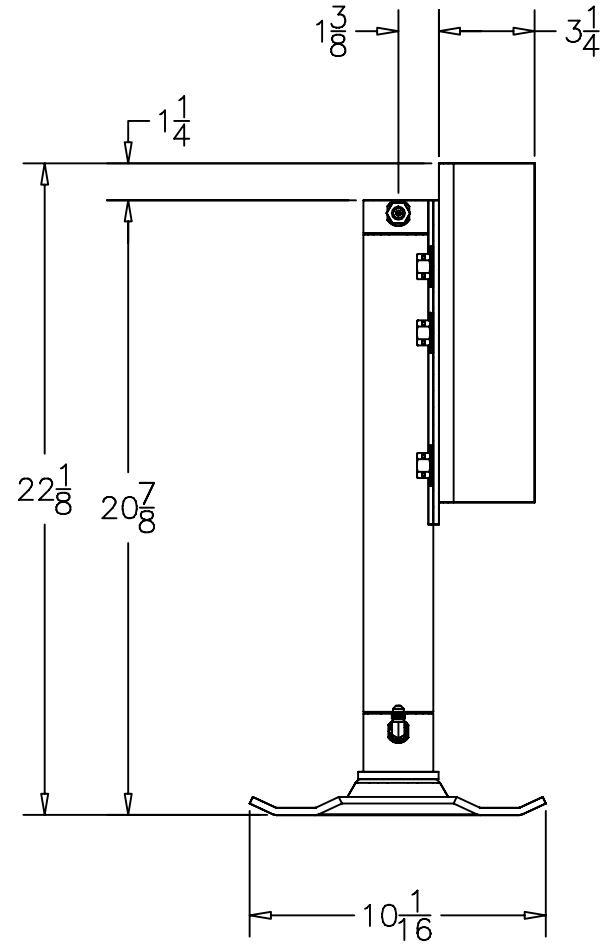
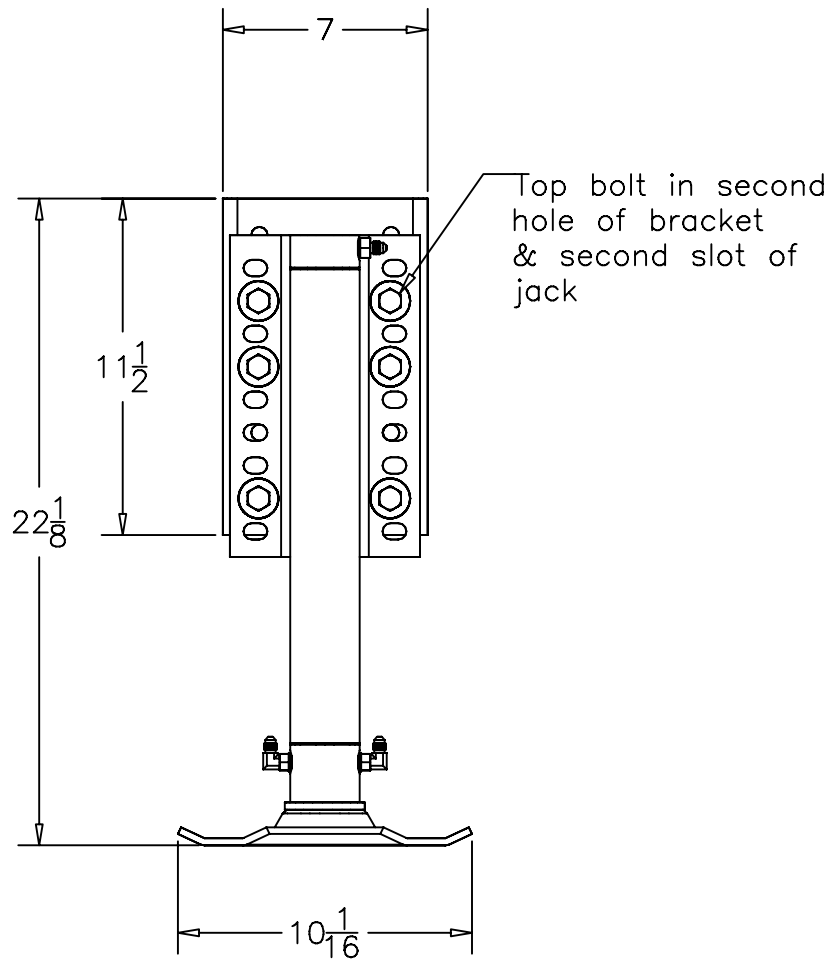
Warranty authorization must come directly from Equalizer Systems. (800) 846-9659.

<p>Equalizer 55169 COUNTY ROAD 3 ELKHART, IN 46515</p> <p>NOTICE - This drawing, including principles of design, is the property of Days Corporation, Elkhart, Indiana, with the agreement that it is not to be reproduced, copied, or loaned in any manner that may constitute a detriment directly or indirectly to Days Corporation. Acceptance of this will be construed as an agreement of the above.</p>	#	REVISIONS	BY:	DATE:	UNLESS OTHERWISE SPECIFIED: TOLERANCES: .XXX ± 0.010 .XX ± 0.010 .X ± 0.030 ANG. ± 1/2"	TITLE MH 15 SL LEG ASSEMBLY	USED ON: NEWMAR																			
					REMOVE ALL BURRS AND SHARP EDGES .015 MAX	<table border="1"> <tr> <td>SIZE</td> <td>SCALE</td> <td>MATERIAL</td> <td>NOTED</td> </tr> <tr> <td>A</td> <td>1:1</td> <td>AS</td> <td></td> </tr> </table>	SIZE	SCALE	MATERIAL	NOTED	A	1:1	AS		<table border="1"> <tr> <td>DRW BY:</td> <td>DATE:</td> <td>PART NAME:</td> </tr> <tr> <td>SJ</td> <td>2/11/13</td> <td>MH 15 SL LEG-3" BRACKET</td> </tr> <tr> <td>APP'D BY</td> <td>DATE:</td> <td>PAGE:</td> </tr> <tr> <td>-</td> <td>-</td> <td>1 OF 3</td> </tr> </table>	DRW BY:	DATE:	PART NAME:	SJ	2/11/13	MH 15 SL LEG-3" BRACKET	APP'D BY	DATE:	PAGE:	-	-
SIZE	SCALE	MATERIAL	NOTED																							
A	1:1	AS																								
DRW BY:	DATE:	PART NAME:																								
SJ	2/11/13	MH 15 SL LEG-3" BRACKET																								
APP'D BY	DATE:	PAGE:																								
-	-	1 OF 3																								



Note:
 On each pair of jacks in this system, one jack will have (1) 1124 fitting and the other will have (2) 1124 fittings.

<i>Equalizer</i>	55169 COUNTY ROAD 3 ELKHART, IN 46515	#	REVISIONS	BY:	DATE:	UNLESS OTHERWISE SPECIFIED:	TITLE	USED ON:
						.XXX ± 0.010 .XX ± 0.010 .X ± 0.030 ANG. ± 1/2"	MH 15 SL LEG ASSEMBLY	NEWMAR
NOTICE - This drawing, including principles of design, is the property of Days Corporation, Elkhart, Indiana, with the agreement that it is not to be reproduced, copied, or loaned in any manner that may constitute a detriment directly or indirectly to Days Corporation. Acceptance of this will be construed as an agreement of the above.						REMOVE ALL BURRS AND SHARP EDGES .015 MAX	SIZE SCALE MATERIAL	NOTED
							A 1: 1 AS	
							DRW BY: DATE:	PART NAME:
							SJ 2/11/13	MH 15 SL LEG-3" BRACKET
							APP'D BY: DATE:	PAGE: DWG NO.: REV:
							- -	2 OF 3 P7850/7836 -



Equalizer

55169 COUNTY ROAD 3
ELKHART, IN 46515

#	REVISIONS	BY:	DATE:

UNLESS OTHERWISE SPECIFIED:
TOLERANCES:
.XXX ± 0.010
.XX ± 0.010
.X ± 0.030
ANG. ± 1/2"
REMOVE ALL BURRS AND SHARP EDGES .015 MAX

TITLE		USED ON:	
MH 15 SL LEG ASSEMBLY		NEWMAR	
SIZE	SCALE	MATERIAL	
A	1:1	AS NOTED	
DRW BY:	DATE:	PART NAME:	
SJ	2/11/13	MH 15 SL LEG-3" BRACKET	
APP'D BY:	DATE:	PAGE:	DWG NO.:
-	-	3 OF 3	P7850/7836
			REV:
			-

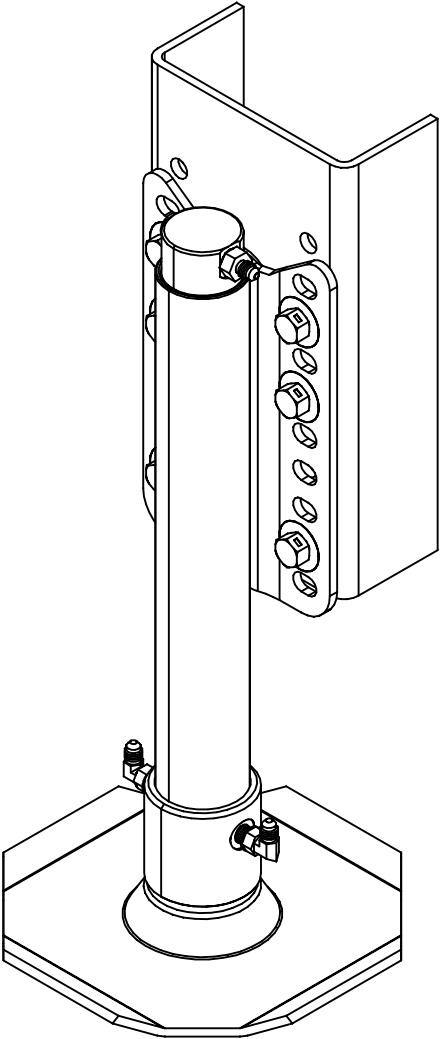
NOTICE - This drawing, including principles of design, is the property of Days Corporation, Elkhart, Indiana, with the agreement that it is not to be reproduced, copied, or loaned in any manner that may constitute a detriment directly or indirectly to Days Corporation. Acceptance of this will be construed as an agreement of the above.

7850A PARTS LIST (ONE JACK)

PART#	DESCRIPTION	QUAN
1201	WASHER-1/2 SAE FLAT ZINC	6
1383	SCREW-3/4-10 X 1 1/4 FHSCS Z	1
1638N	PLATE-LEG BOLT 3"	1
1683	FOOT-SL 10 X 10	1
1800	CUSHION-DAMPENING RING-SMALL/THICK	1
1911DD	BOLT-1/2-13 X 1 1/2 HCS ZINC GR 5	6
2943	CYLINDER-2 X 15 SL	1
3116	NUT-1/2-13 FLANGE-SERR	6

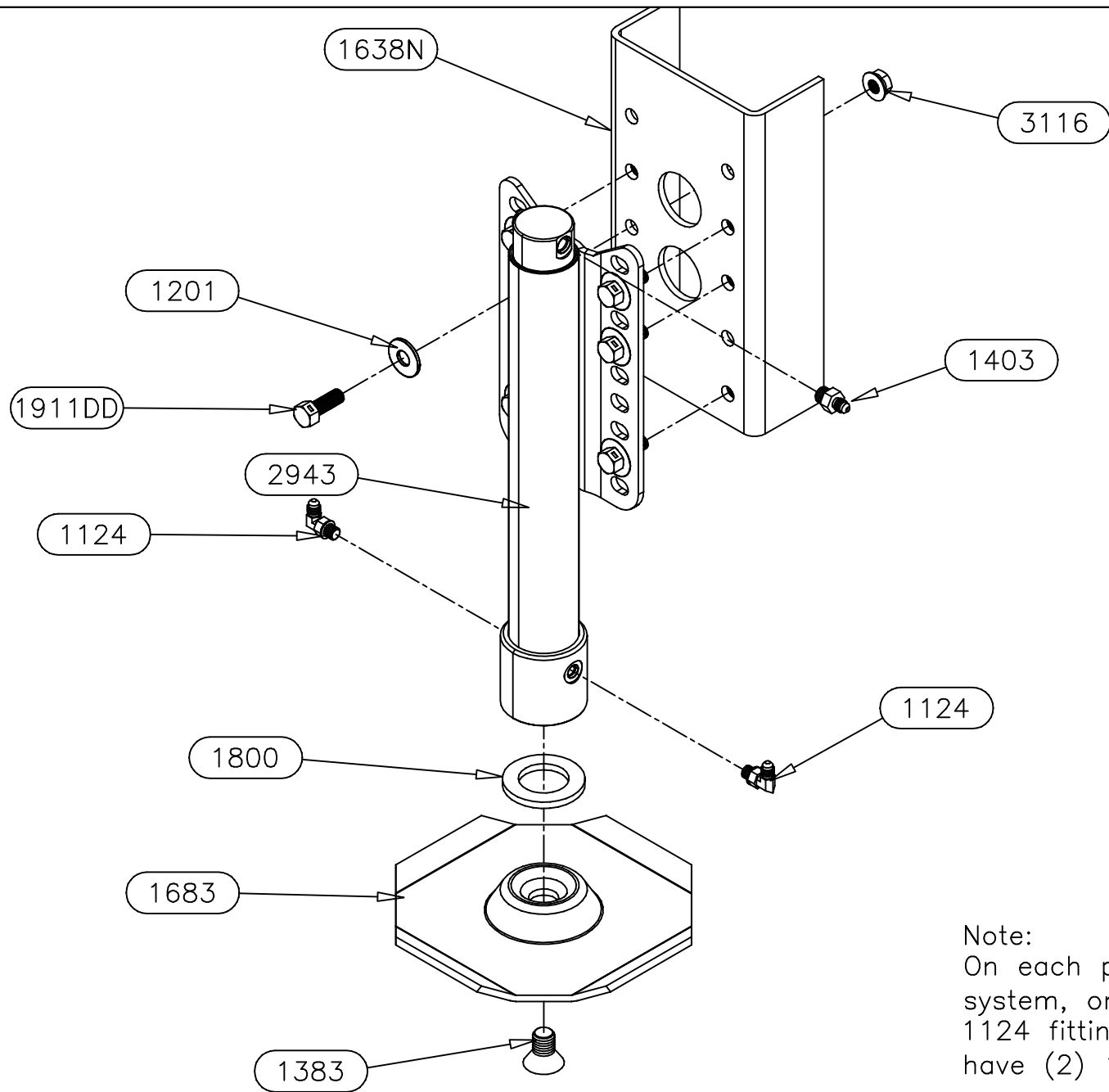
7836 PARTS LIST (FOUR JACKS)

1124	FITTING-#4 JIC X #4 OR MALE 90	6
1403	FITTING-RESTRICTOR #6 X #4	4



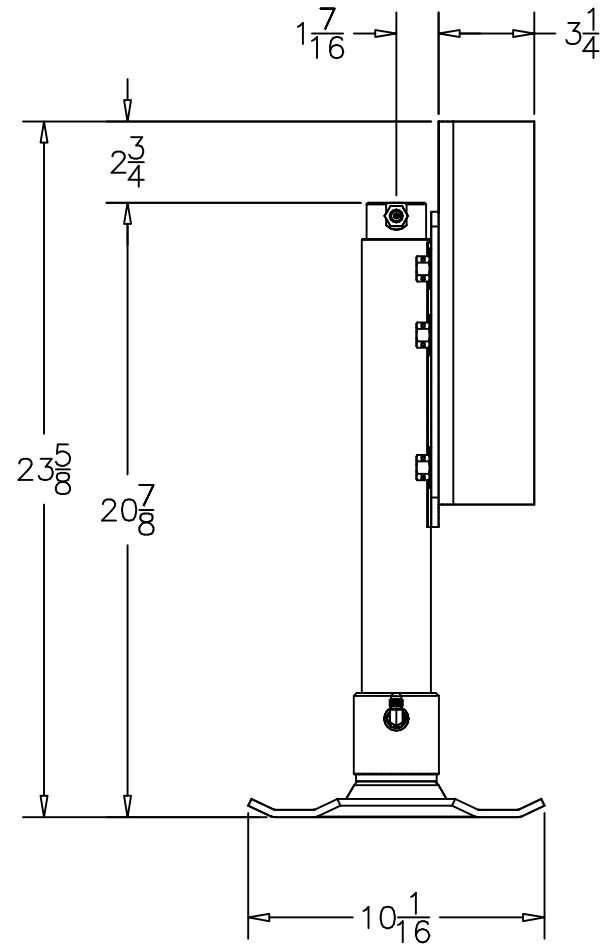
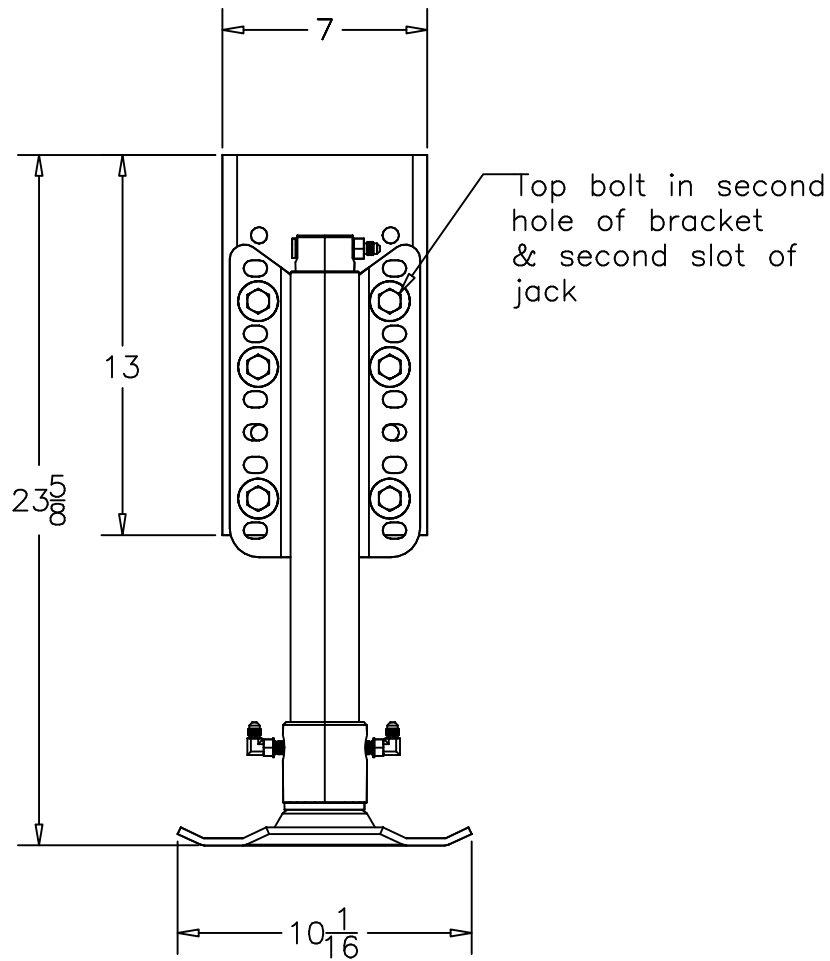
Warranty authorization must come directly from Equalizer Systems. (800) 846-9659.

Equalizer 55169 COUNTY ROAD 3 ELKHART, IN 46515	#	REVISIONS	BY:	DATE:	UNLESS OTHERWISE SPECIFIED: TOLERANCES: .XXX ± 0.010 .XX ± 0.010 .X ± 0.030 ANG. ± 1/2"	TITLE MH 15 SL LEG ASSEMBLY	USED ON: NEWMAR
	NOTICE - This drawing, including principles of design, is the property of Days Corporation, Elkhart, Indiana, with the agreement that it is not to be reproduced, copied, or loaned in any manner that may constitute a detriment directly or indirectly to Days Corporation. Acceptance of this will be construed as an agreement of the above.					REMOVE ALL BURRS AND SHARP EDGES .015 MAX	SIZE SCALE MATERIAL A 1:1 AS NOTED
						DRW BY: SJ DATE: 2/19/19	PAGE: 1 OF 3 DWG NO.: P7850A/7836
						APP'D BY: - DATE: -	REV: -



Note:
 On each pair of jacks in this system, one jack will have (1) 1124 fitting and the other will have (2) 1124 fittings.

<i>Equalizer</i> 55169 COUNTY ROAD 3 ELKHART, IN 46515	#	REVISIONS	BY:	DATE:	UNLESS OTHERWISE SPECIFIED:	TITLE	USED ON:
					TOLERANCES:	MH 15 SL LEG ASSEMBLY	NEWMAR
NOTICE - This drawing, including principles of design, is the property of Days Corporation, Elkhart, Indiana, with the agreement that it is not to be reproduced, copied, or loaned in any manner that may constitute a detriment directly or indirectly to Days Corporation. Acceptance of this will be construed as an agreement of the above.					.XXX ± 0.010	SIZE	
					.XX ± 0.010	SCALE	
					.X ± 0.030	A 1:1	MATERIAL
					ANG. ± 1/2"		AS NOTED
					REMOVE ALL BURRS AND SHARP EDGES .015 MAX	DRW BY:	PART NAME:
						SJ	MH 15 SL LEG-3" BRACKET
						DATE:	PAGE:
						2/19/19	2 OF 3
						DATE:	DWG NO.:
							P7850A/7836
							REV:
							-



Equalizer

55169 COUNTY ROAD 3
ELKHART, IN 46515

#	REVISIONS	BY:	DATE:

UNLESS OTHERWISE SPECIFIED:
TOLERANCES:
.XXX ± 0.010
.XX ± 0.010
.X ± 0.030
ANG. ± 1/2"
REMOVE ALL BURRS AND SHARP EDGES .015 MAX

TITLE		USED ON:	
MH 15 SL LEG ASSEMBLY		NEWMAR	
SIZE	SCALE	MATERIAL	
A	1: 1	AS NOTED	
DRW BY:	DATE:	PART NAME:	
SJ	2/19/19	MH 15 SL LEG-3" BRACKET	
APP'D BY:	DATE:	PAGE:	DWG NO.:
-	-	3 OF 3	P7850A/7836
			REV:
			-

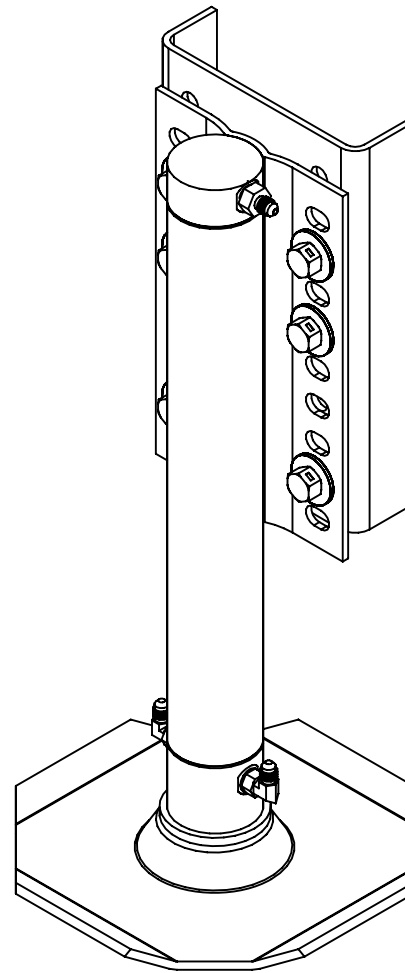
NOTICE - This drawing, including principles of design, is the property of Days Corporation, Elkhart, Indiana, with the agreement that it is not to be reproduced, copied, or loaned in any manner that may constitute a detriment directly or indirectly to Days Corporation. Acceptance of this will be construed as an agreement of the above.

7850 PARTS LIST (ONE JACK)

PART#	DESCRIPTION	QUAN
1201	WASHER-1/2 SAE FLAT ZINC	6
1383	SCREW-3/4-10 X 1 1/4 FHSCS Z	1
1641	PLATE-LEG BOLT 2"	1
1683	FOOT-SL 10 X 10	1
1800	CUSHION-DAMPENING RING-SMALL/THICK	1
1911DD	BOLT-1/2-13 X 1 1/2 HCS ZINC GR 5	6
2943	CYLINDER-2 X 15 SL	1
3116	NUT-1/2-13 FLANGE-SERR	6

7836 PARTS LIST (FOUR JACKS)

1124	FITTING-#4 JIC X #4 OR MALE 90	6
1403	FITTING-RESTRICTOR #6 X #4	4



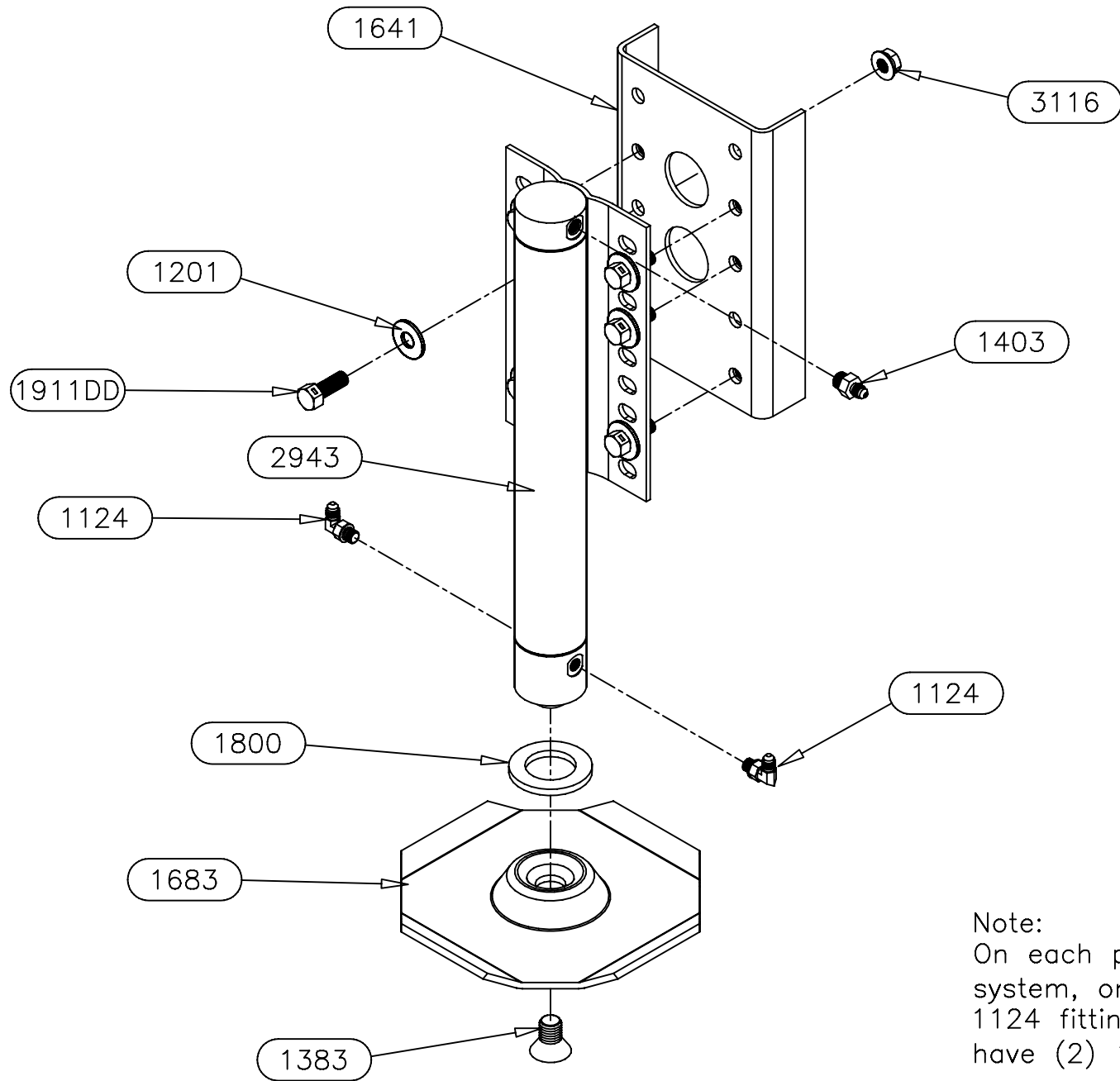
Warranty authorization must come directly from Equalizer Systems. (800) 846-9659.

Equalizer 55169 COUNTY ROAD 3
ELKHART, IN 46515

#	REVISIONS	BY:	DATE:

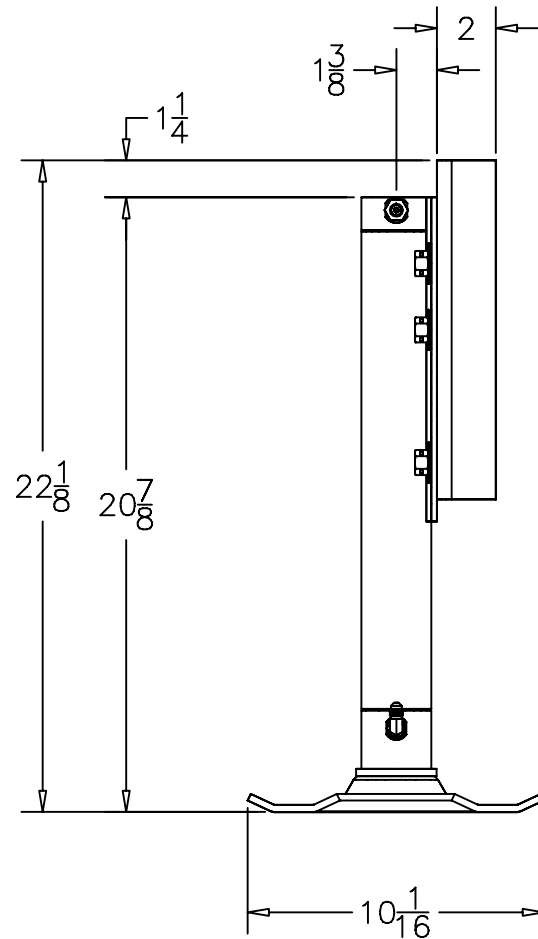
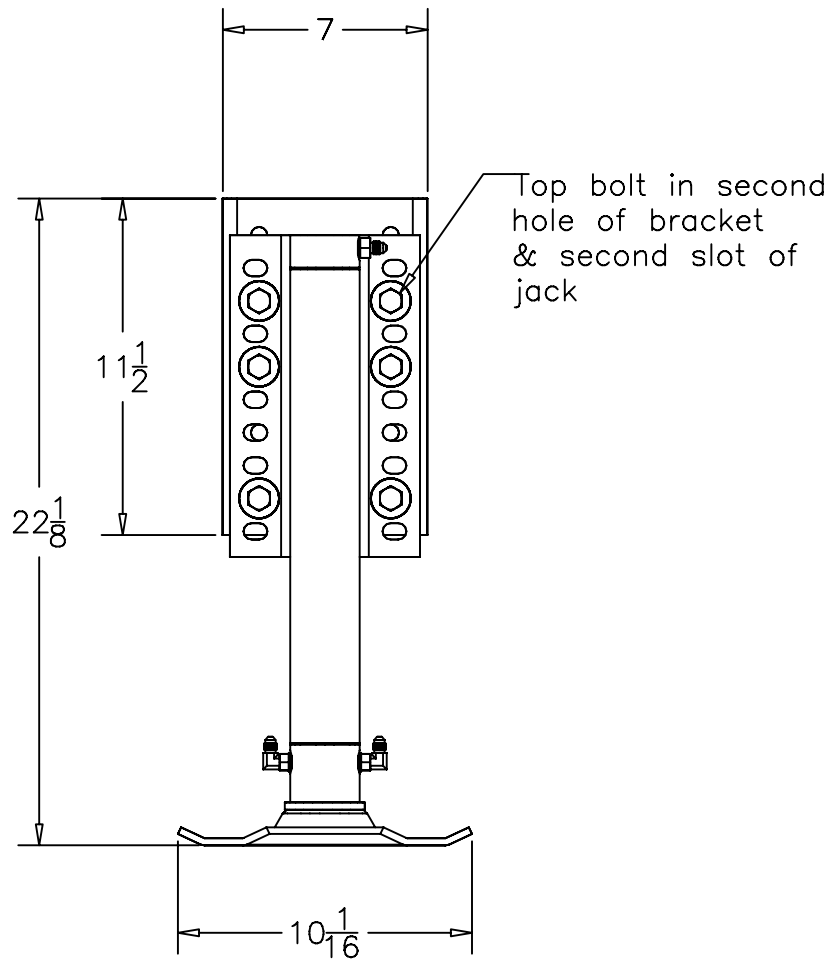
NOTICE - This drawing, including principles of design, is the property of Days Corporation, Elkhart, Indiana, with the agreement that it is not to be reproduced, copied, or loaned in any manner that may constitute a detriment directly or indirectly to Days Corporation. Acceptance of this will be construed as an agreement of the above.

UNLESS OTHERWISE SPECIFIED: TOLERANCES: .XXX ± 0.010 .XX ± 0.010 .X ± 0.030 ANG. ± 1/2"		TITLE MH 15 SL LEG ASSEMBLY		USED ON: NEWMAR	
REMOVE ALL BURRS AND SHARP EDGES .015 MAX		SIZE A	SCALE 1:1	MATERIAL AS	NOTED
DRW BY: SJ	DATE: 2/11/13	PART NAME: MH 15 SL LEG-2" BRACKET		PAGE: 1 OF 3	DWG NO.: P7851/7836
APP'D BY: -	DATE: -	REV:			



Note:
 On each pair of jacks in this system, one jack will have (1) 1124 fitting and the other will have (2) 1124 fittings.

<i>Equalizer</i>	55169 COUNTY ROAD 3 ELKHART, IN 46515	#	REVISIONS	BY:	DATE:	UNLESS OTHERWISE SPECIFIED: TOLERANCES: .XXX ± 0.010 .XX ± 0.010 .X ± 0.030 ANG. ± 1/2" REMOVE ALL BURRS AND SHARP EDGES .015 MAX	TITLE	USED ON:		
							MH 15 SL LEG ASSEMBLY	NEWMAR		
NOTICE - This drawing, including principles of design, is the property of Days Corporation, Elkhart, Indiana, with the agreement that it is not to be reproduced, copied, or loaned in any manner that may constitute a detriment directly or indirectly to Days Corporation. Acceptance of this will be construed as an agreement of the above.						SIZE	SCALE	MATERIAL		
						A	1:1	AS		
						DRW BY:	DATE:	PART NAME:		
						SJ	2/11/13	MH 15 SL LEG-2" BRACKET		
						APP'D BY:	DATE:	PAGE:	DWG NO.:	REV:
						-	-	2 OF 3	P7851/7836	-



Equalizer

55169 COUNTY ROAD 3
ELKHART, IN 46515

#	REVISIONS	BY:	DATE:

UNLESS OTHERWISE SPECIFIED:
TOLERANCES:
.XXX ± 0.010
.XX ± 0.010
.X ± 0.030
ANG. ± 1/2"
REMOVE ALL BURRS AND SHARP EDGES .015 MAX

TITLE		USED ON:	
MH 15 SL LEG ASSEMBLY		NEWMAR	
SIZE	SCALE	MATERIAL	
A	1: 1	AS NOTED	
DRW BY:	DATE:	PART NAME:	
SJ	2/11/13	MH 15 SL LEG-2" BRACKET	
APP'D BY	DATE:	PAGE:	DWG NO.:
-	-	3 OF 3	P7851/7836
			REV:
			-

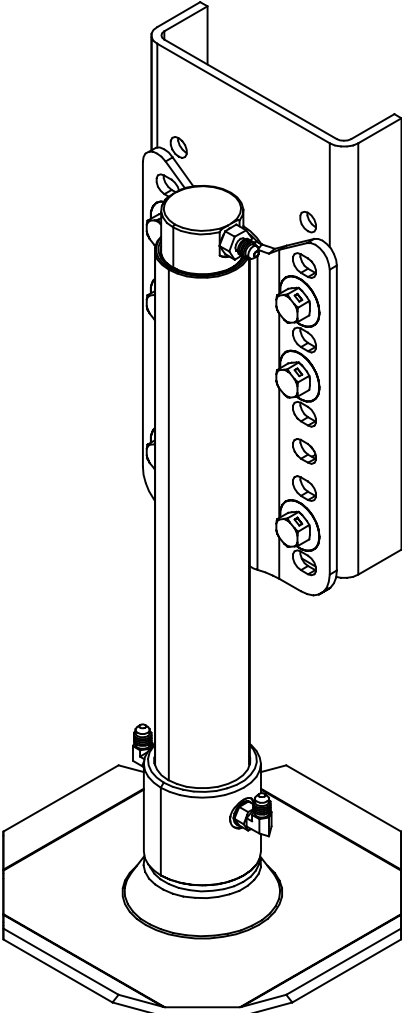
NOTICE - This drawing, including principles of design, is the property of Days Corporation, Elkhart, Indiana, with the agreement that it is not to be reproduced, copied, or loaned in any manner that may constitute a detriment directly or indirectly to Days Corporation. Acceptance of this will be construed as an agreement of the above.

7851A PARTS LIST (ONE JACK)

PART#	DESCRIPTION	QUAN
1201	WASHER-1/2 SAE FLAT ZINC	6
1383	SCREW-3/4-10 X 1 1/4 FHSCS Z	1
1641N	PLATE-LEG BOLT 2"	1
1683	FOOT-SL 10 X 10	1
1800	CUSHION-DAMPENING RING-SMALL/THICK	1
1911DD	BOLT-1/2-13 X 1 1/2 HCS ZINC GR 5	6
2943	CYLINDER-2 X 15 SL	1
3116	NUT-1/2-13 FLANGE-SERR	6

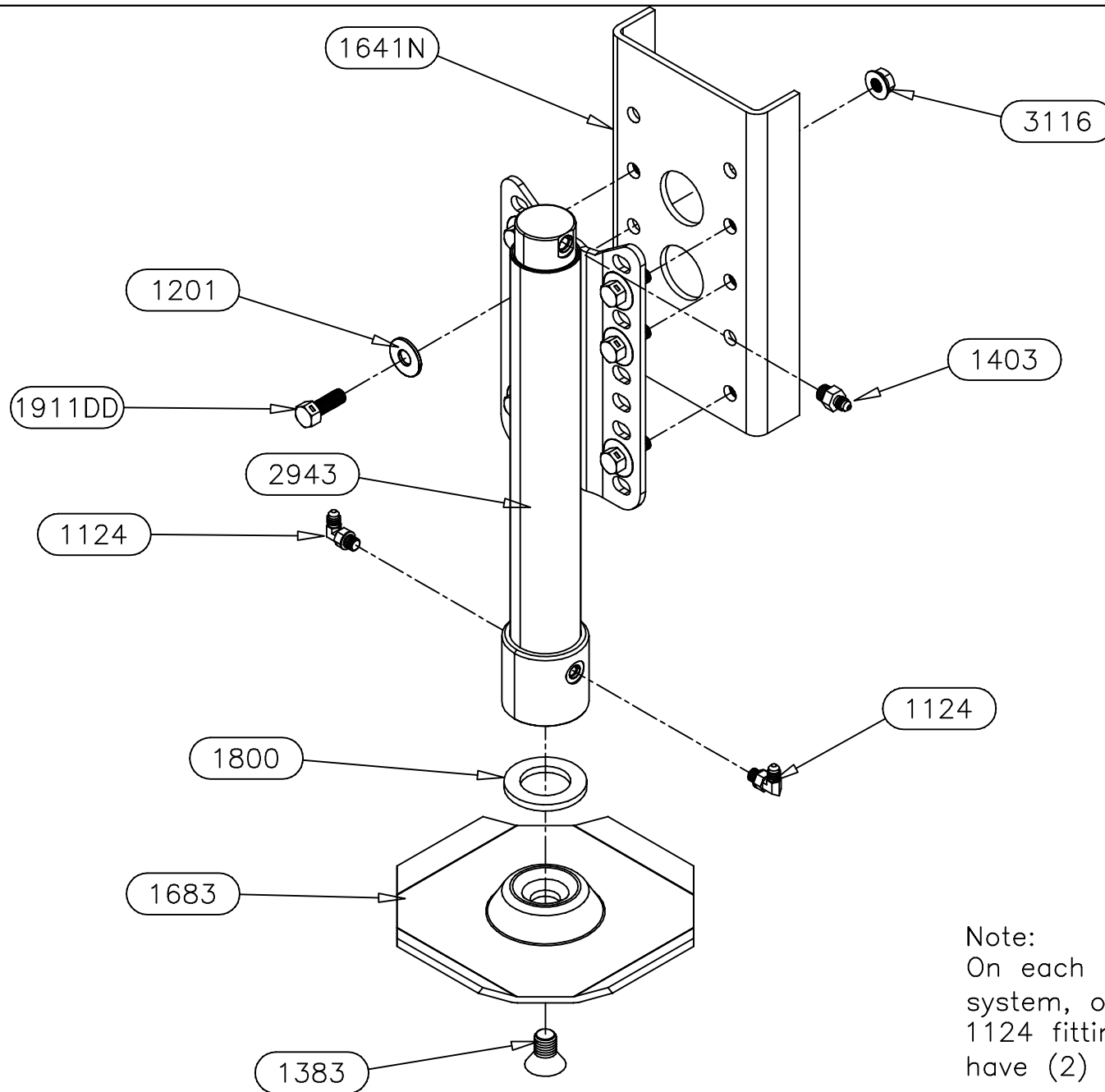
7836 PARTS LIST (FOUR JACKS)

1124	FITTING-#4 JIC X #4 OR MALE 90	6
1403	FITTING-RESTRICTOR #6 X #4	4



Warranty authorization must come directly from Equalizer Systems. (800) 846-9659.

	55169 COUNTY ROAD 3 ELKHART, IN 46515	#	REVISIONS		BY:	DATE:	UNLESS OTHERWISE SPECIFIED:	TITLE	USED ON:
NOTICE - This drawing, including principles of design, is the property of Days Corporation, Elkhart, Indiana, with the agreement that it is not to be reproduced, copied, or loaned in any manner that may constitute a detriment directly or indirectly to Days Corporation. Acceptance of this will be construed as an agreement of the above.							TOLERANCES: .XXX ± 0.010 .XX ± 0.010 .X ± 0.030 ANG. ± 1/2"	MH 15 SL LEG ASSEMBLY	NEWMAR
							REMOVE ALL BURRS AND SHARP EDGES .015 MAX	SIZE SCALE MATERIAL A 1: 1 AS	NOTED
								DRW BY: SJ DATE: 2/19/19	PART NAME: MH 15 SL LEG-2" BRACKET
								APP'D BY: - DATE: -	PAGE: 1 OF 3 DWG NO.: P7851A/7836 REV: -



Note:
 On each pair of jacks in this system, one jack will have (1) 1124 fitting and the other will have (2) 1124 fittings.

Equalizer

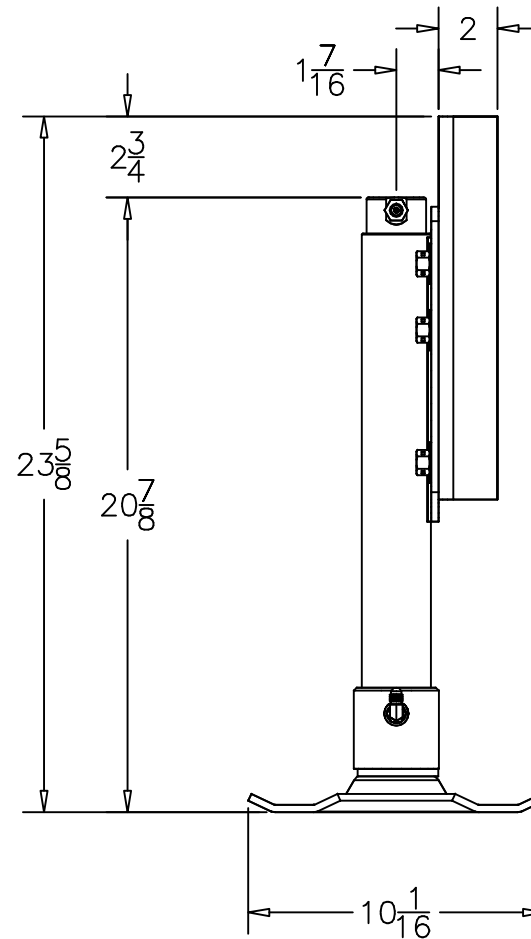
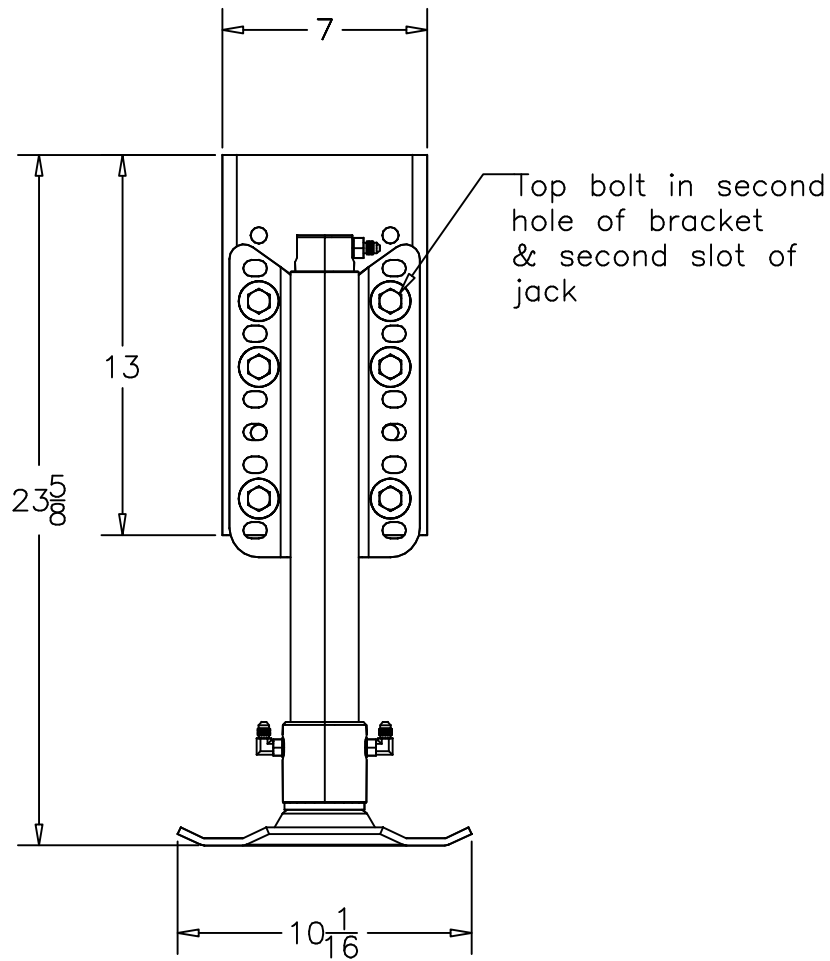
55169 COUNTY ROAD 3
 ELKHART, IN 46515

#	REVISIONS	BY:	DATE:

UNLESS OTHERWISE SPECIFIED:
 TOLERANCES:
 .XXX ± 0.010
 .XX ± 0.010
 .X ± 0.030
 ANG. ± 1/2"
 REMOVE ALL BURRS AND SHARP EDGES .015 MAX

TITLE			USED ON:		
MH 15 SL LEG ASSEMBLY			NEWMAR		
SIZE	SCALE	MATERIAL	NOTED		
A	1:1	AS			
DRW BY:	DATE:	PART NAME:			
SJ	2/19/19	MH 15 SL LEG-2" BRACKET			
APP'D BY:	DATE:	PAGE:	DWG NO.:	REV:	
		2 OF 3	P7851A/7836		

NOTICE - This drawing, including principles of design, is the property of Days Corporation, Elkhart, Indiana, with the agreement that it is not to be reproduced, copied, or loaned in any manner that may constitute a detriment directly or indirectly to Days Corporation. Acceptance of this will be construed as an agreement of the above.



Equalizer

55169 COUNTY ROAD 3
ELKHART, IN 46515

#	REVISIONS	BY:	DATE:

UNLESS OTHERWISE SPECIFIED:
TOLERANCES:
.XXX ± 0.010
.XX ± 0.010
.X ± 0.030
ANG. ± 1/2"
REMOVE ALL BURRS AND SHARP EDGES .015 MAX

TITLE		USED ON:	
MH 15 SL LEG ASSEMBLY		NEWMAR	
SIZE	SCALE	MATERIAL	
A	1:1	AS NOTED	
DRW BY:	DATE:	PART NAME:	
SJ	2/19/19	MH 15 SL LEG-2" BRACKET	
APP'D BY:	DATE:	PAGE:	DWG NO.:
-	-	3 OF 3	P7851A/7836
			REV:
			-

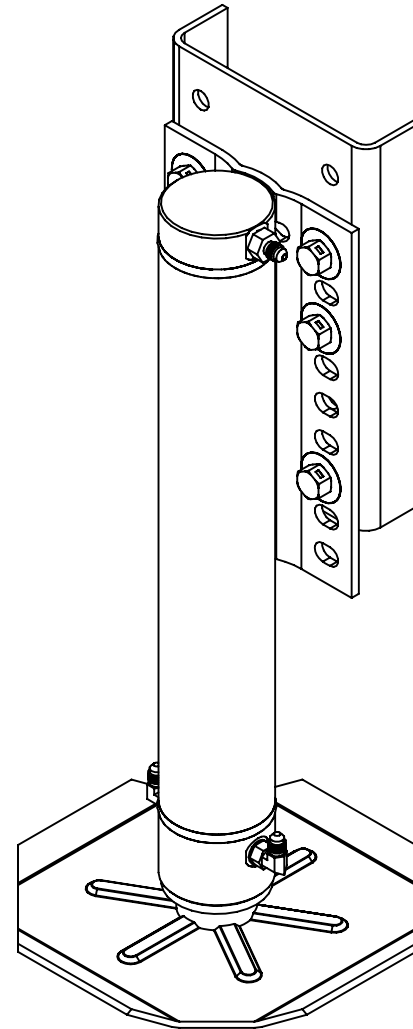
NOTICE - This drawing, including principles of design, is the property of Days Corporation, Elkhart, Indiana, with the agreement that it is not to be reproduced, copied, or loaned in any manner that may constitute a detriment directly or indirectly to Days Corporation. Acceptance of this will be construed as an agreement of the above.

7852 PARTS LIST (ONE JACK)

PART#	DESCRIPTION	QUAN
1201	WASHER-1/2 SAE FLAT ZINC	6
1383	SCREW-3/4-10 X 1 1/4 FHSCS Z	1
1592	CYLINDER-2 1/2 X 16 SL	1
1641	PLATE-MH BOLT 2" 10 HOLE	1
1800	CUSHION-DAMPENING RING-SMALL/THICK	1
1911DD	BOLT-1/2-13 X 1 1/2 HCS ZINC GR 5	6
3116	NUT-1/2-13 FLANGE-SERR	6
3151	FOOT-SL 10" OCT W/COLLAR	1

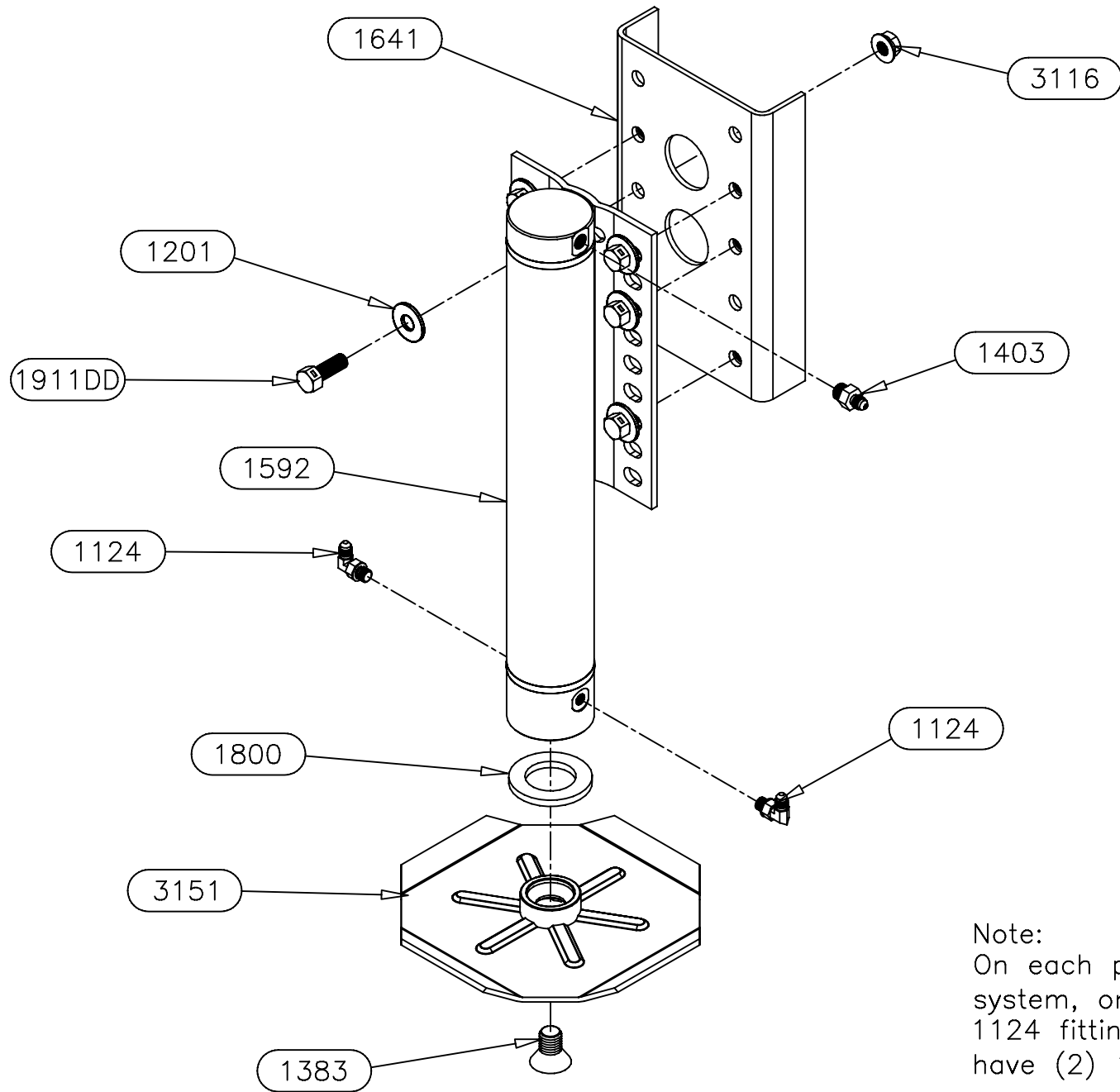
7836 FITTING KIT (FOUR JACKS)

1124	FITTING-#4 JIC X #4 OR MALE 90	6
1403	FITTING-RESTRICTOR #6 X #4	4



Warranty authorization must come directly from Equalizer Systems. (800) 846-9659.

Equalizer 55169 COUNTY ROAD 3 ELKHART, IN 46515	#	REVISIONS		BY:	DATE:	UNLESS OTHERWISE SPECIFIED: TOLERANCES: .XXX ± 0.010 .XX ± 0.010 .X ± 0.030 ANG. ± 1/2" REMOVE ALL BURRS AND SHARP EDGES .015 MAX	TITLE		USED ON:			
							MH 16 SL LEG ASSEMBLY	NEWMAR				
							SIZE A	SCALE 1:1	MATERIAL AS		NOTED	
NOTICE - This drawing, including principles of design, is the property of Days Corporation, Elkhart, Indiana, with the agreement that it is not to be reproduced, copied, or loaned in any manner that may constitute a detriment directly or indirectly to Days Corporation. Acceptance of this will be construed as an agreement of the above.						DRW BY: SJ	DATE: 2/8/13	PART NAME: MH 16 SL LEG-2" BRACKET		PAGE: 1 OF 3	DWG NO.: P7852/7836	REV: -
						APP'D BY: -	DATE: -					



Note:
 On each pair of jacks in this system, one jack will have (1) 1124 fitting and the other will have (2) 1124 fittings.

Equalizer

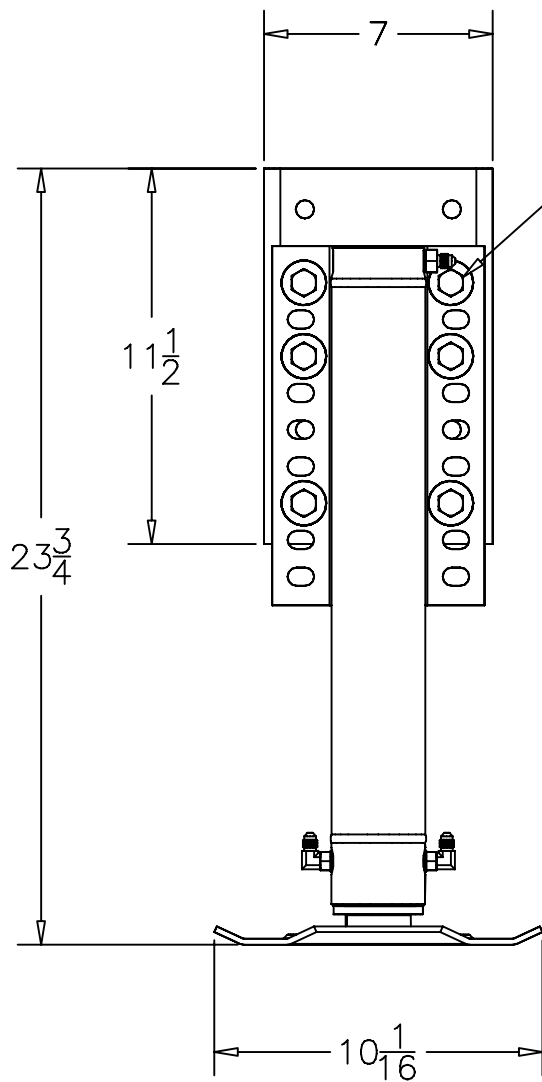
55169 COUNTY ROAD 3
 ELKHART, IN 46515

#	REVISIONS	BY:	DATE:

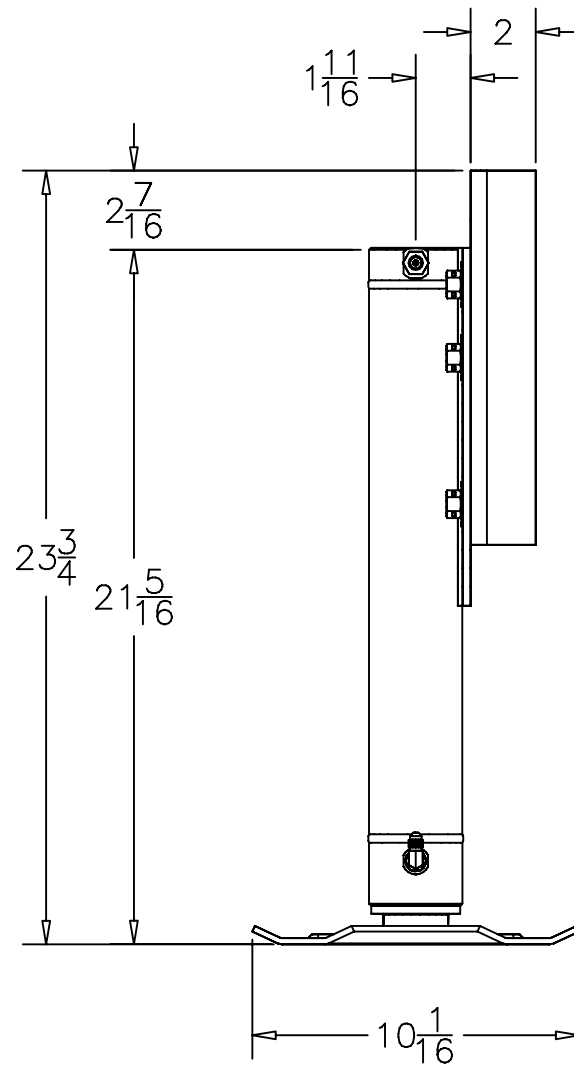
UNLESS OTHERWISE SPECIFIED:
 TOLERANCES:
 .XXX ± 0.010
 .XX ± 0.010
 .X ± 0.030
 ANG. ± 1/2"
 REMOVE ALL BURRS AND SHARP EDGES .015 MAX

TITLE			USED ON:	
MH 16 SL LEG ASSEMBLY			NEWMAR	
SIZE	SCALE	MATERIAL	NOTED	
A	1:1	AS		
DRW BY:	DATE:	PART NAME:		
SJ	2/8/13	MH 16 SL LEG-2" BRACKET		
APP'D BY:	DATE:	PAGE:	DWG NO.:	REV:
		2 OF 3	P7852/7836	

NOTICE - This drawing, including principles of design, is the property of Days Corporation, Elkhart, Indiana, with the agreement that it is not to be reproduced, copied, or loaned in any manner that may constitute a detriment directly or indirectly to Days Corporation. Acceptance of this will be construed as an agreement of the above.



Top bolt through top slot of jack & second hole on bracket



Equalizer

55169 COUNTY ROAD 3
ELKHART, IN 46515

#	REVISIONS	BY:	DATE:

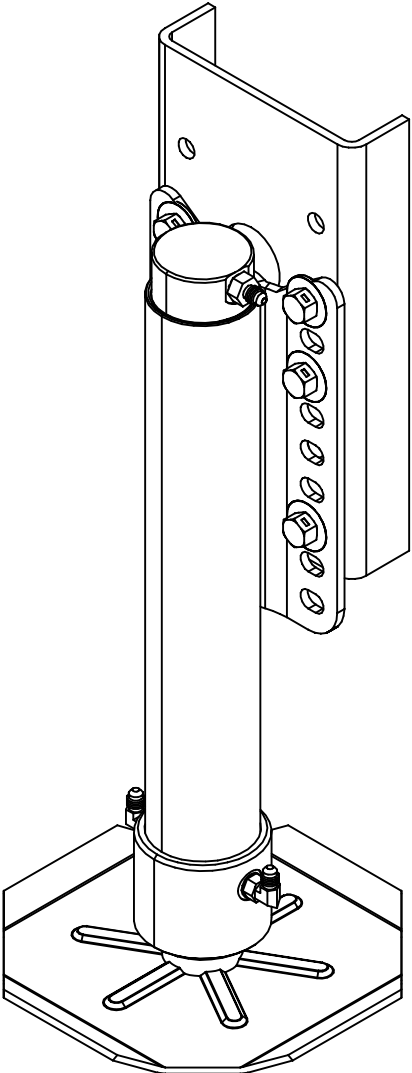
NOTICE - This drawing, including principles of design, is the property of Days Corporation, Elkhart, Indiana, with the agreement that it is not to be reproduced, copied, or loaned in any manner that may constitute a detriment directly or indirectly to Days Corporation. Acceptance of this will be construed as an agreement of the above.

UNLESS OTHERWISE SPECIFIED:
TOLERANCES:
.XXX ± 0.010
.XX ± 0.010
.X ± 0.030
ANG. ± 1/2"
REMOVE ALL BURRS AND SHARP EDGES .015 MAX

TITLE		USED ON:	
MH 16 SL LEG ASSEMBLY		NEWMAR	
SIZE	SCALE	MATERIAL	NOTED
A	1: 1	AS	
DRW BY:	DATE:	PART NAME:	
SJ	2/8/13	MH 16 SL LEG-2" BRACKET	
APP'D BY:	DATE:	PAGE:	DWG NO.:
-	-	3 OF 3	P7852/7836
			REV:
			-

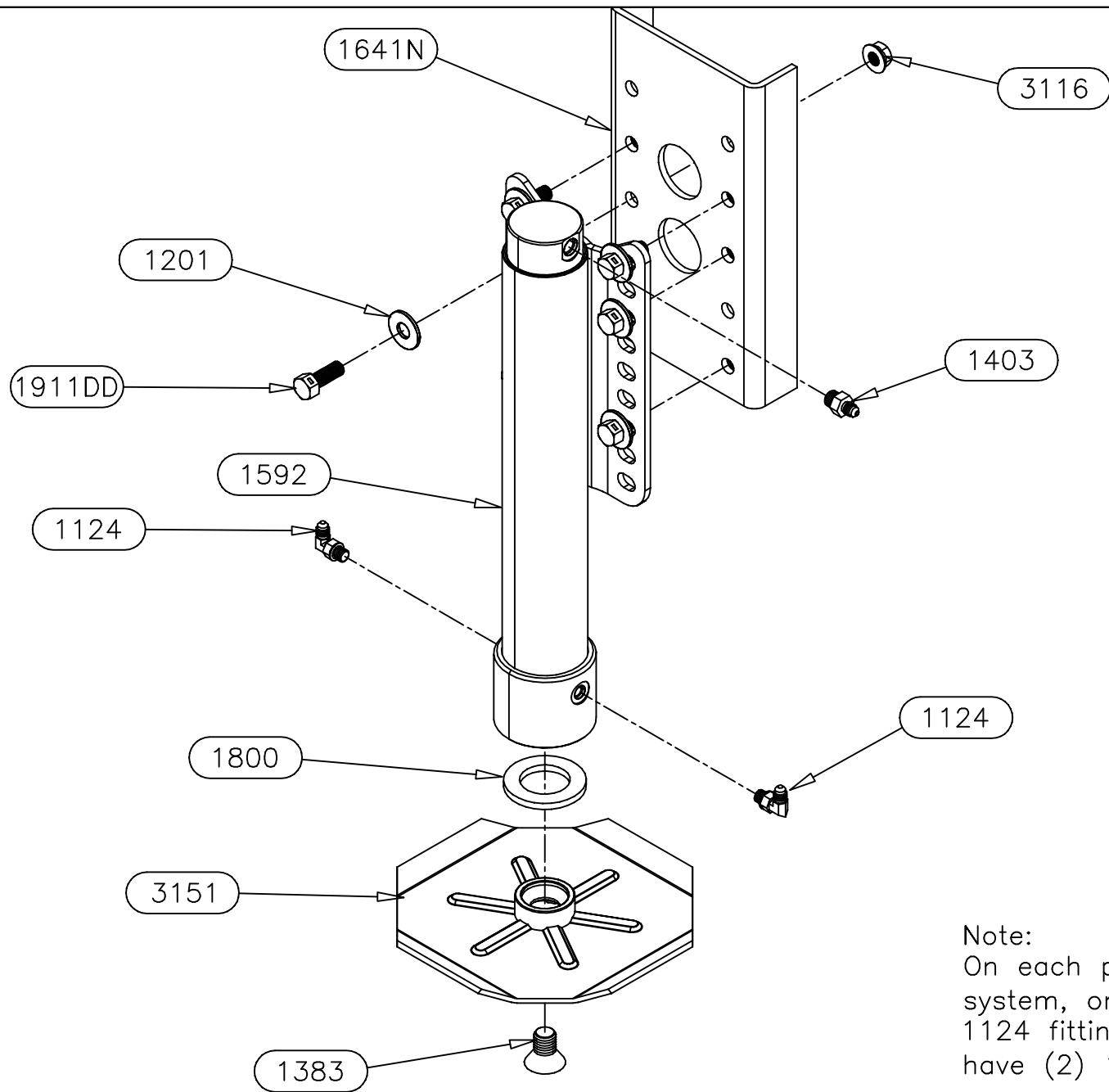
7852A PARTS LIST (ONE JACK)

PART#	DESCRIPTION	QUAN
1201	WASHER-1/2 SAE FLAT ZINC	6
1383	SCREW-3/4-10 X 1 1/4 FHSCS Z	1
1592	CYLINDER-2 1/2 X 16 SL	1
1641N	PLATE-MH BOLT 2" 10 HOLE	1
1800	CUSHION-DAMPENING RING-SMALL/THICK	1
1911DD	BOLT-1/2-13 X 1 1/2 HCS ZINC GR 5	6
3116	NUT-1/2-13 FLANGE-SERR	6
3151	FOOT-SL 10" OCT W/COLLAR	1
7836 FITTING KIT (FOUR JACKS)		
1124	FITTING-#4 JIC X #4 OR MALE 90	6
1403	FITTING-RESTRICTOR #6 X #4	4



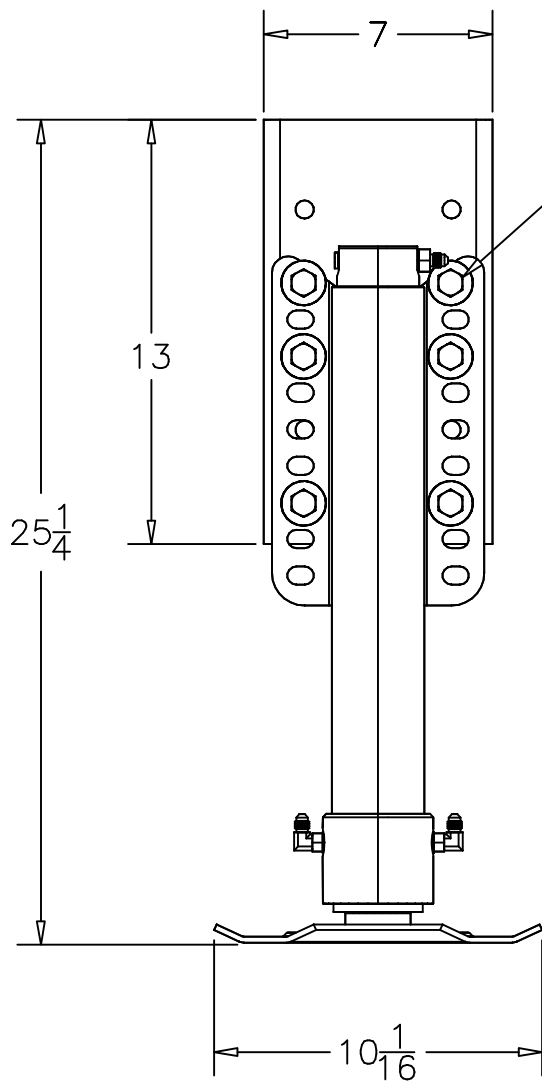
Warranty authorization must come directly from Equalizer Systems. (800) 846-9659.

<p>Equalizer 55169 COUNTY ROAD 3 ELKHART, IN 46515</p>	#	REVISIONS	BY:	DATE:	UNLESS OTHERWISE SPECIFIED: TOLERANCES: .XXX ± 0.010 .XX ± 0.010 .X ± 0.030 ANG. ± 1/2"	TITLE MH 16 SL LEG ASSEMBLY	USED ON: NEWMAR																														
	NOTICE - This drawing, including principles of design, is the property of Days Corporation, Elkhart, Indiana, with the agreement that it is not to be reproduced, copied, or loaned in any manner that may constitute a detriment directly or indirectly to Days Corporation. Acceptance of this will be construed as an agreement of the above.					REMOVE ALL BURRS AND SHARP EDGES .015 MAX	<table border="1"> <tr> <td>SIZE</td> <td>SCALE</td> <td>MATERIAL</td> <td rowspan="2">NOTED</td> </tr> <tr> <td>A</td> <td>1:1</td> <td>AS</td> </tr> <tr> <td>DRW BY:</td> <td>DATE:</td> <td colspan="2">PART NAME:</td> </tr> <tr> <td>SJ</td> <td>2/9/19</td> <td colspan="2">MH 16 SL LEG-2" BRACKET</td> </tr> <tr> <td>APP'D BY</td> <td>DATE:</td> <td>PAGE:</td> <td>DWG NO.:</td> </tr> <tr> <td>-</td> <td>-</td> <td>1 OF 3</td> <td>P7852A/7836</td> </tr> <tr> <td> </td> <td> </td> <td> </td> <td>REV:</td> </tr> <tr> <td> </td> <td> </td> <td> </td> <td>-</td> </tr> </table>	SIZE	SCALE	MATERIAL	NOTED	A	1:1	AS	DRW BY:	DATE:	PART NAME:		SJ	2/9/19	MH 16 SL LEG-2" BRACKET		APP'D BY	DATE:	PAGE:	DWG NO.:	-	-	1 OF 3	P7852A/7836				REV:			
SIZE	SCALE	MATERIAL	NOTED																																		
A	1:1	AS																																			
DRW BY:	DATE:	PART NAME:																																			
SJ	2/9/19	MH 16 SL LEG-2" BRACKET																																			
APP'D BY	DATE:	PAGE:	DWG NO.:																																		
-	-	1 OF 3	P7852A/7836																																		
			REV:																																		
			-																																		

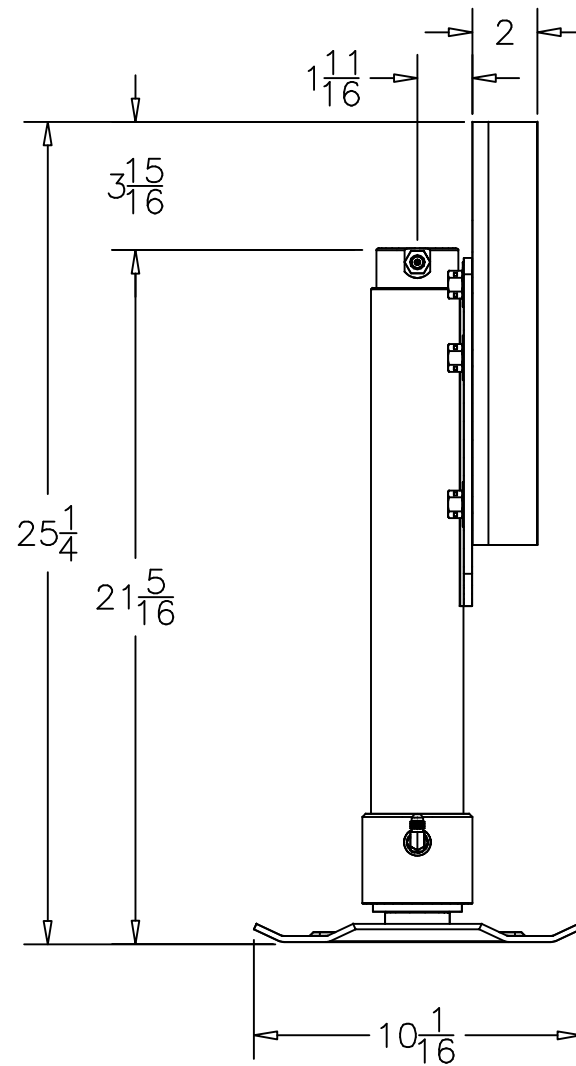


Note:
 On each pair of jacks in this system, one jack will have (1) 1124 fitting and the other will have (2) 1124 fittings.

<i>Equalizer</i>	55169 COUNTY ROAD 3 ELKHART, IN 46515	#	REVISIONS	BY:	DATE:	UNLESS OTHERWISE SPECIFIED: TOLERANCES: .XXX ± 0.010 .XX ± 0.010 .X ± 0.030 ANG. ± 1/2"	TITLE MH 16 SL LEG ASSEMBLY	USED ON: NEWMAR		
						REMOVE ALL BURRS AND SHARP EDGES .015 MAX	SIZE SCALE MATERIAL A 1:1 AS	NOTED		
NOTICE - This drawing, including principles of design, is the property of Days Corporation, Elkhart, Indiana, with the agreement that it is not to be reproduced, copied, or loaned in any manner that may constitute a detriment directly or indirectly to Days Corporation. Acceptance of this will be construed as an agreement of the above.						DRW BY: SJ	DATE: 2/9/19	PART NAME: MH 16 SL LEG-2" BRACKET		
						APP'D BY: -	DATE: -	PAGE: 2 OF 3	DWG NO.: P7852A/7836	REV: -



Top bolt through
top slot of
jack & second
hole on bracket



Equalizer

55169 COUNTY ROAD 3
ELKHART, IN 46515

#	REVISIONS	BY:	DATE:

NOTICE - This drawing, including principles of design, is the property of Days Corporation, Elkhart, Indiana, with the agreement that it is not to be reproduced, copied, or loaned in any manner that may constitute a detriment directly or indirectly to Days Corporation. Acceptance of this will be construed as an agreement of the above.

UNLESS OTHERWISE SPECIFIED:
TOLERANCES:
.XXX ± 0.010
.XX ± 0.010
.X ± 0.030
ANG. ± 1/2"
REMOVE ALL BURRS AND SHARP EDGES .015 MAX

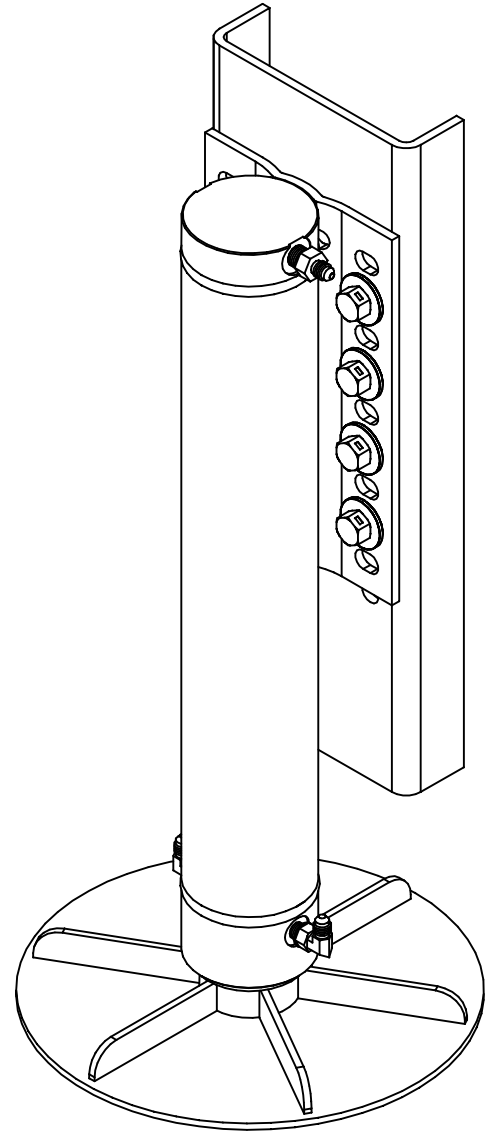
TITLE		USED ON:	
MH 16 SL LEG ASSEMBLY		NEWMAR	
SIZE	SCALE	MATERIAL	
A	1:1	AS NOTED	
DRW BY:	DATE:	PART NAME:	
SJ	2/9/19	MH 16 SL LEG-2" BRACKET	
APP'D BY:	DATE:	PAGE:	DWG NO.:
-	-	3 OF 3	P7852A/7836
			REV:
			-

7965 PARTS LIST (ONE JACK)

PART#	DESCRIPTION	QUAN
1201	WASHER-1/2 SAE FLAT ZINC	8
1383	SCREW-3/4-10 X 1 1/4 FHSCS Z	1
1601	CYLINDER-3 X 18 MH DP FIXED	1
1603	FOOT-DP 12 X 12	1
1799	CUSHION-DAMPENING RING-MEDIUM	1
1911DD	BOLT-1/2-13 X 1 1/2 HCS ZINC GR 5	8
3116	NUT-1/2-13 FLANGE-SERR	8
3150	PLATE-SL LEG BOLT 2 X 19	1

FITTINGS LIST (FOUR JACKS)

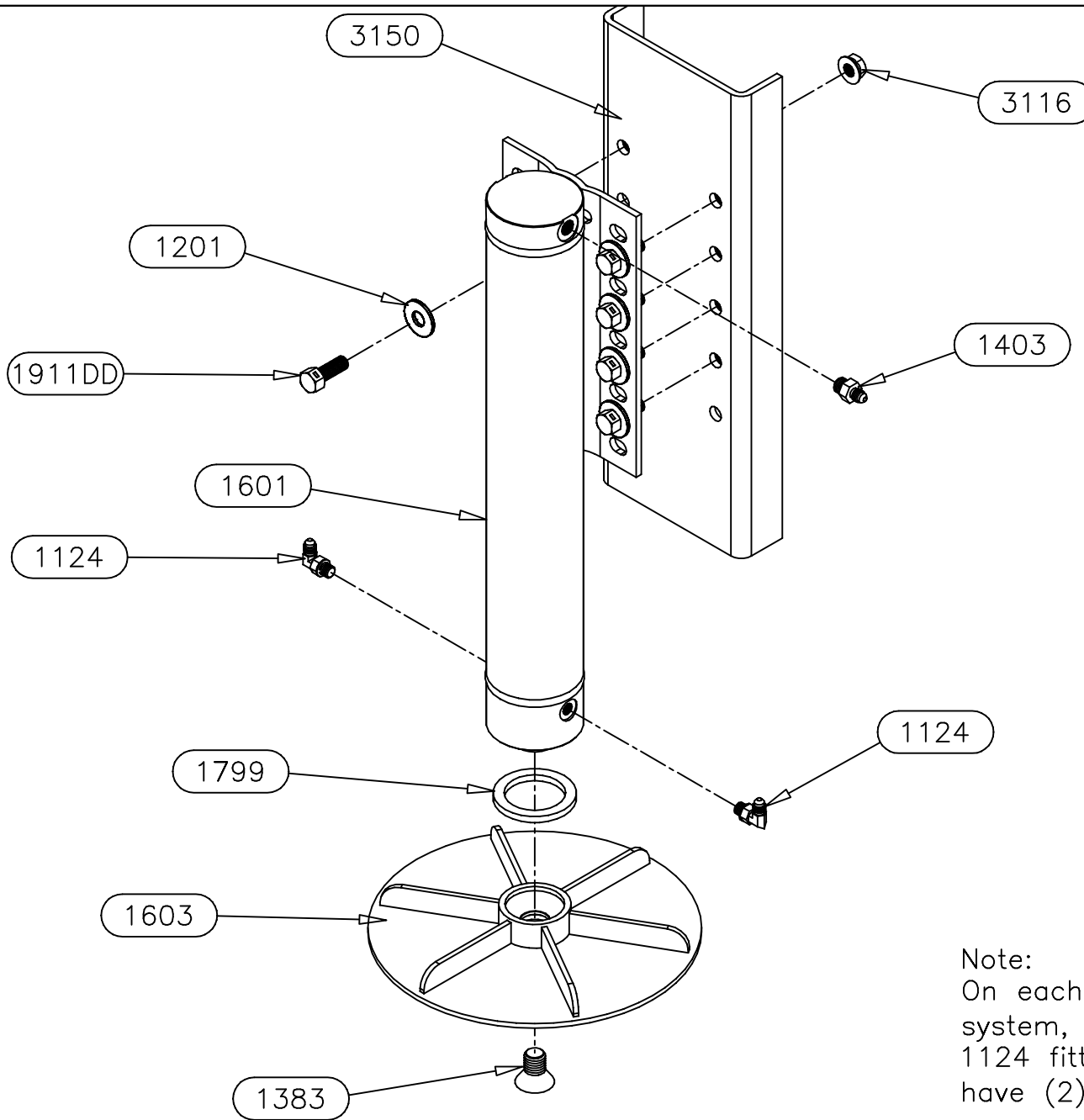
1124	FITTING-#4 JIC X #4 OR MALE 90	6
1403	FITTING-RESTRICTOR #6 X #4	4



Warranty authorization must come directly from Equalizer Systems. (800) 846-9659.

Equalizer 55169 COUNTY ROAD 3 ELKHART, IN 46515	#	REVISIONS			BY:	DATE:	UNLESS OTHERWISE SPECIFIED: TOLERANCES: .XXX ± 0.010 .XX ± 0.010 .X ± 0.030 ANG. ± 1/2"	TITLE SL 18 S LEG ASSEMBLY	USED ON: NEWMAR DIESEL

NOTICE - This drawing, including principles of design, is the property of Days Corporation, Elkhart, Indiana, with the agreement that it is not to be reproduced, copied, or loaned in any manner that may constitute a detriment directly or indirectly to Days Corporation. Acceptance of this will be construed as an agreement of the above.



Note:
 On each pair of jacks in this system, one jack will have (1) 1124 fitting and the other will have (2) 1124 fittings.

Equalizer

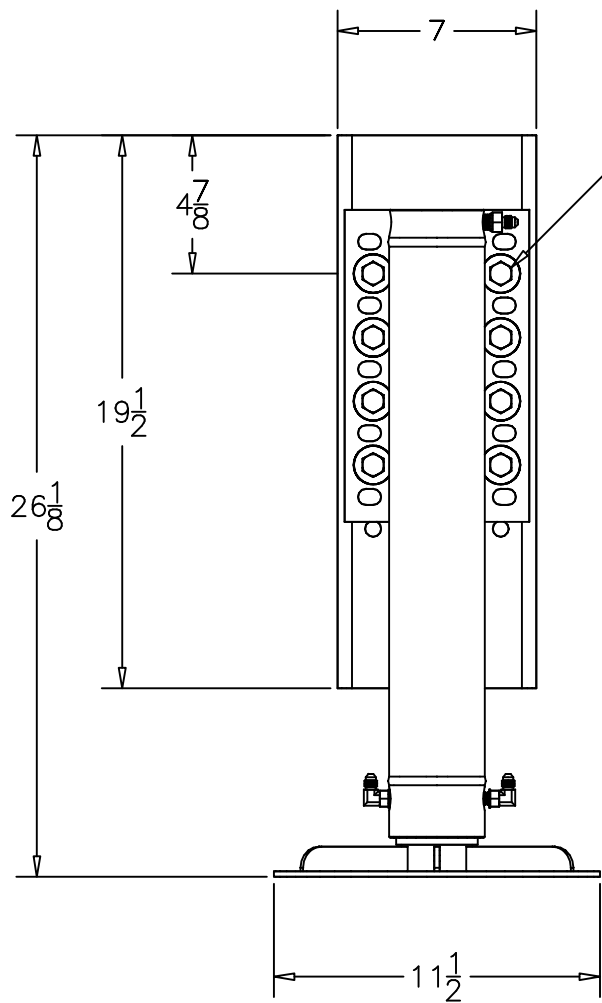
55169 COUNTY ROAD 3
 ELKHART, IN 46515

#	REVISIONS	BY:	DATE:

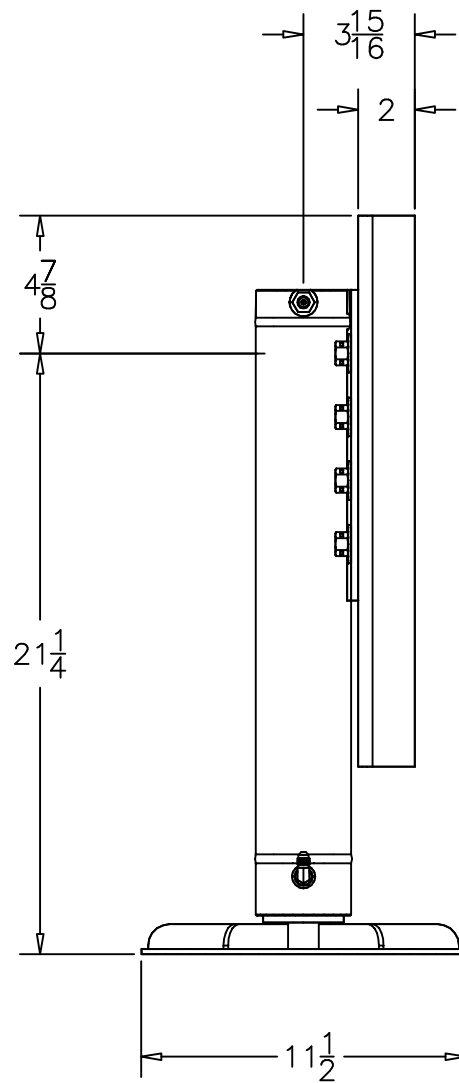
UNLESS OTHERWISE SPECIFIED:
 TOLERANCES:
 .XXX ± 0.010
 .XX ± 0.010
 .X ± 0.030
 ANG. ± 1/2"
 REMOVE ALL BURRS AND SHARP EDGES .015 MAX

TITLE			USED ON:	
SL 18 S LEG ASSEMBLY			NEWMAR DIESEL	
SIZE	SCALE	MATERIAL	NOTED	
A	1:1	AS	NOTED	
DRW BY:	DATE:	PART NAME:		
SJ	2/25/14	SL 18 S-NEWMAR DIESEL		
APP'D BY:	DATE:	PAGE:	DWG NO.:	REV:
-	-	2 OF 3	P7965	-

NOTICE - This drawing, including principles of design, is the property of Days Corporation, Elkhart, Indiana, with the agreement that it is not to be reproduced, copied, or loaned in any manner that may constitute a detriment directly or indirectly to Days Corporation. Acceptance of this will be construed as an agreement of the above.



Top bolt is in top hole of bracket and second slot in jack



Equalizer

55169 COUNTY ROAD 3
ELKHART, IN 46515

#	REVISIONS	BY:	DATE:

UNLESS OTHERWISE SPECIFIED:
TOLERANCES:
.XXX ± 0.010
.XX ± 0.010
.X ± 0.030
ANG. ± 1/2"
REMOVE ALL BURRS AND SHARP EDGES .015 MAX

TITLE SL 18 S LEG ASSEMBLY		USED ON: NEWMAR DIESEL	
SIZE A	SCALE 1:1	MATERIAL AS NOTED	
DRW BY: SJ	DATE: 2/25/14	PART NAME: SL 18 S-NEWMAR DIESEL	
APP'D BY -	DATE: -	PAGE: 3 OF 3	DWG NO.: P7965
			REV: -

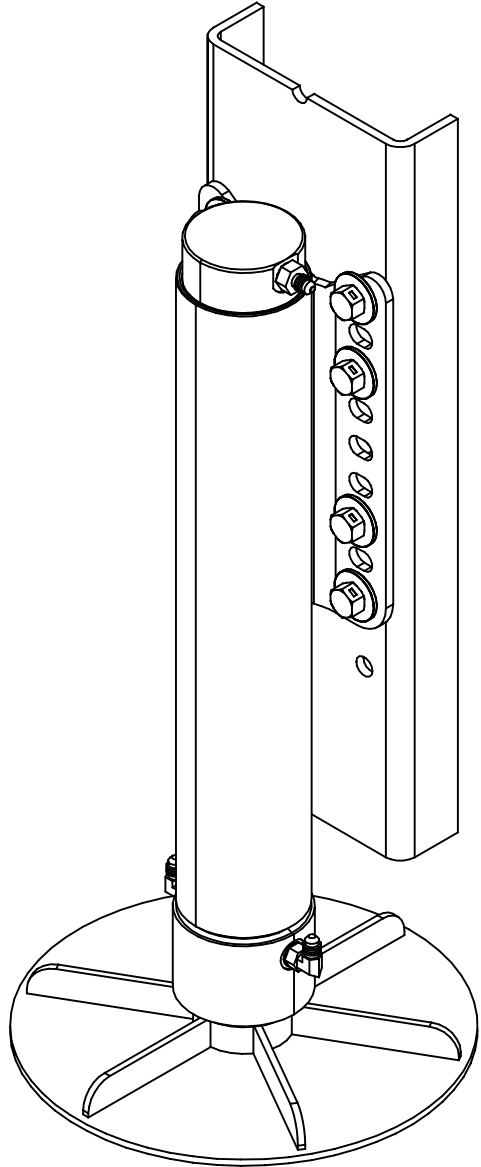
NOTICE - This drawing, including principles of design, is the property of Days Corporation, Elkhart, Indiana, with the agreement that it is not to be reproduced, copied, or loaned in any manner that may constitute a detriment directly or indirectly to Days Corporation. Acceptance of this will be construed as an agreement of the above.

7965A PARTS LIST (ONE JACK)

PART#	DESCRIPTION	QUAN
1201	WASHER-1/2 SAE FLAT ZINC	8
1383	SCREW-3/4-10 X 1 1/4 FHSCS Z	1
1601	CYLINDER-3 X 18 MH DP FIXED	1
1603	FOOT-DP 12 X 12	1
1799	CUSHION-DAMPENING RING-MEDIUM	1
1911DD	BOLT-1/2-13 X 1 1/2 HCS ZINC GR 5	8
3116	NUT-1/2-13 FLANGE-SERR	8
3150A	PLATE-SL LEG BOLT 2 X 21	1

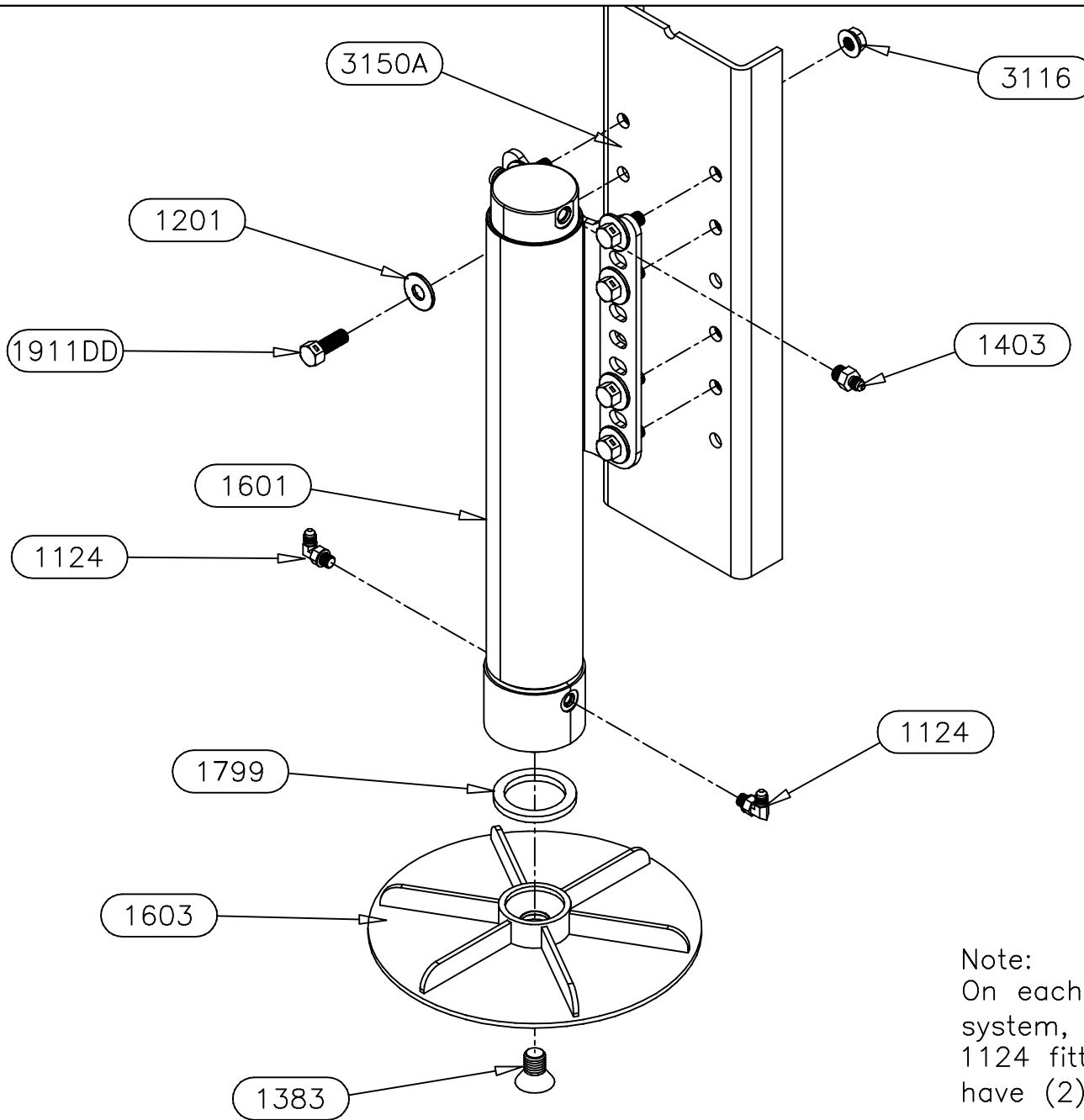
7836 PARTS LIST (FOUR JACKS)

1124	FITTING-#4 JIC X #4 OR MALE 90	6
1403	FITTING-RESTRICTOR #6 X #4	4



Warranty authorization must come directly from Equalizer Systems. (800) 846-9659.

Equalizer 55169 COUNTY ROAD 3 ELKHART, IN 46515	#	REVISIONS	BY:	DATE:	UNLESS OTHERWISE SPECIFIED: TOLERANCES: .XXX ± 0.010 .XX ± 0.010 .X ± 0.030 ANG. ± 1/2" REMOVE ALL BURRS AND SHARP EDGES .015 MAX	TITLE	USED ON:			
						SL 18 S LEG ASSEMBLY	NEWMAR DIESEL			
NOTICE - This drawing, including principles of design, is the property of Days Corporation, Elkhart, Indiana, with the agreement that it is not to be reproduced, copied, or loaned in any manner that may constitute a detriment directly or indirectly to Days Corporation. Acceptance of this will be construed as an agreement of the above.						SIZE	SCALE	MATERIAL	NOTED	
						A	1:1	AS		
						DRW BY:	DATE:	PART NAME:		
						SJ	2/11/19	SL 18 S-NEWMAR DIESEL		
						APP'D BY:	DATE:	PAGE:	DWG NO.:	REV.:
						-	-	1 OF 3	P7965A-7836	-



Note:
 On each pair of jacks in this system, one jack will have (1) 1124 fitting and the other will have (2) 1124 fittings.

Equalizer

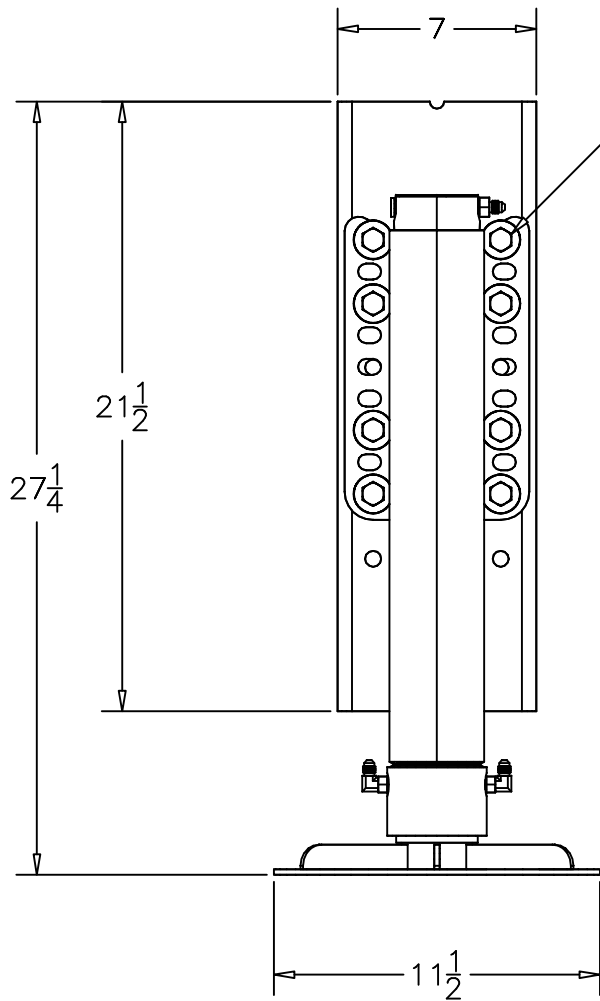
55169 COUNTY ROAD 3
 ELKHART, IN 46515

#	REVISIONS	BY:	DATE:

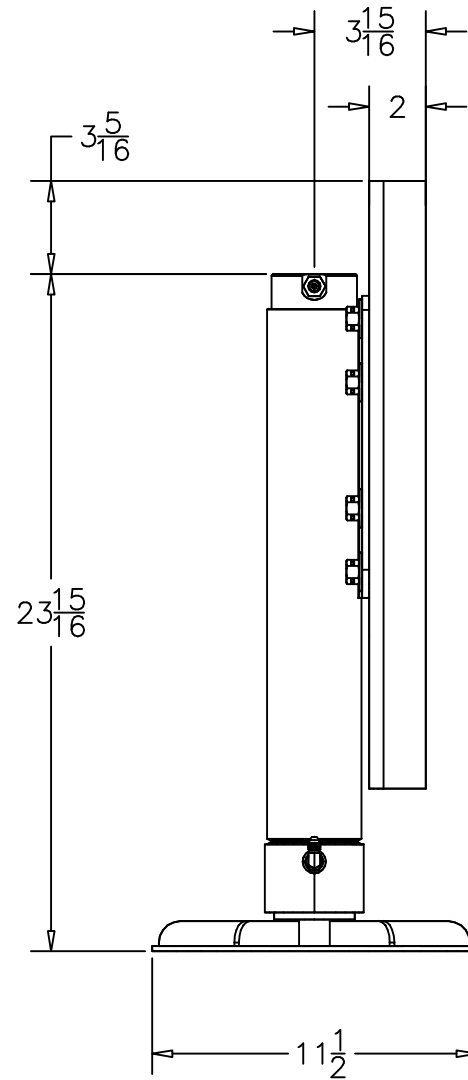
UNLESS OTHERWISE SPECIFIED:
 TOLERANCES:
 .XXX ± 0.010
 .XX ± 0.010
 .X ± 0.030
 ANG. ± 1/2"
 REMOVE ALL BURRS AND SHARP EDGES .015 MAX

TITLE			USED ON:		
SL 18 S LEG ASSEMBLY			NEWMAR DIESEL		
SIZE	SCALE	MATERIAL	NOTED		
A	1:1	AS			
DRW BY:	DATE:	PART NAME:			
SJ	2/11/19	SL 18 S-NEWMAR DIESEL			
APP'D BY:	DATE:	PAGE:	DWG NO.:	REV:	
		2 OF 3	P7965A-7836		

NOTICE - This drawing, including principles of design, is the property of Days Corporation, Elkhart, Indiana, with the agreement that it is not to be reproduced, copied, or loaned in any manner that may constitute a detriment directly or indirectly to Days Corporation. Acceptance of this will be construed as an agreement of the above.



Top bolt is in top hole of bracket and top slot in jack



Equalizer

55169 COUNTY ROAD 3
ELKHART, IN 46515

#	REVISIONS	BY:	DATE:

UNLESS OTHERWISE SPECIFIED:
TOLERANCES:
.XXX ± 0.010
.XX ± 0.010
.X ± 0.030
ANG. ± 1/2"
REMOVE ALL BURRS AND SHARP EDGES .015 MAX

TITLE SL 18 S LEG ASSEMBLY		USED ON: NEWMAR DIESEL	
SIZE A	SCALE 1:1	MATERIAL AS NOTED	
DRW BY: SJ	DATE: 2/11/19	PART NAME: SL 18 S-NEWMAR DIESEL	
APP'D BY: -	DATE: -	PAGE: 3 OF 3	DWG NO.: P7965A-7836
			REV: -

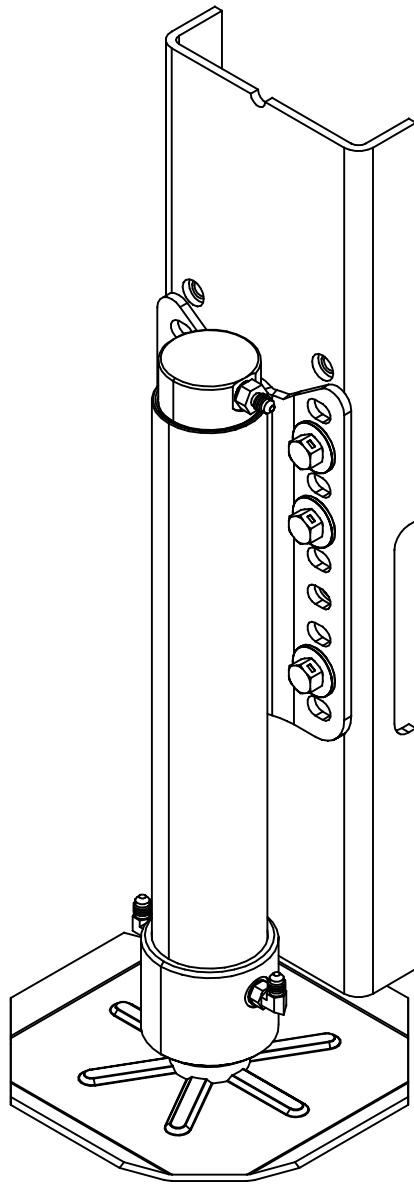
NOTICE - This drawing, including principles of design, is the property of Days Corporation, Elkhart, Indiana, with the agreement that it is not to be reproduced, copied, or loaned in any manner that may constitute a detriment directly or indirectly to Days Corporation. Acceptance of this will be construed as an agreement of the above.

70119 PARTS LIST (ONE JACK)

PART#	DESCRIPTION	QUAN
1201	WASHER-1/2 SAE FLAT ZINC	6
1383	SCREW-3/4-10 X 1 1/4 FHSCS Z	1
1592	CYLINDER-2 1/2 X 16 SL	1
1800	CUSHION-DAMPENING RING-SMALL/THICK	1
1911DD	BOLT-1/2-13 X 1 1/2 HCS ZINC GR 5	6
3151	FOOT-SL 10" OCT. W/COLLAR	1
3474	PLATE-SL LEG BOLT 2 X 25 1/2 W/NUTS	1

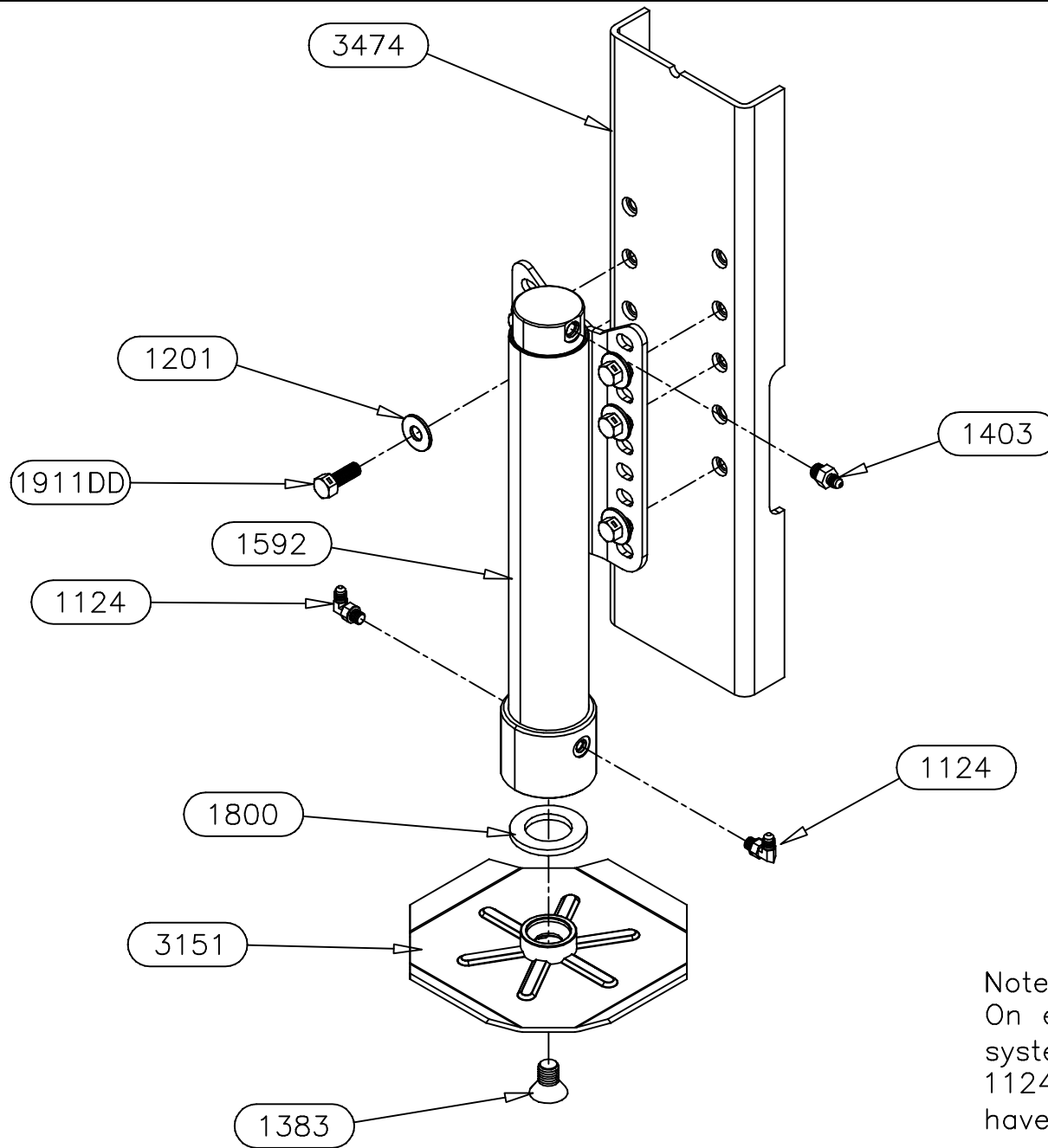
7836 PARTS LIST (FOUR JACKS)

1124	FITTING-#4 JIC X #4 OR MALE 90	6
1403	FITTING-RESTRICTOR #6 X #4	4



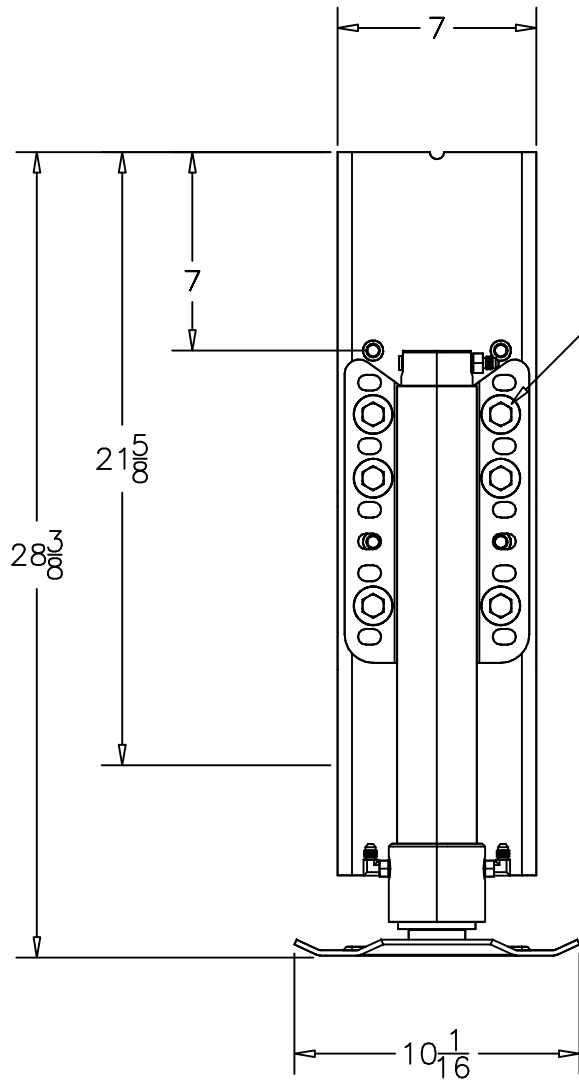
Warranty authorization must come directly from Equalizer Systems. (800) 846-9659.

	55169 COUNTY ROAD 3 ELKHART, IN 46515	#	REVISIONS	BY:	DATE:	UNLESS OTHERWISE SPECIFIED: TOLERANCES: .XXX ± 0.010 .XX ± 0.010 .X ± 0.030 ANG. ± 1/2" REMOVE ALL BURRS AND SHARP EDGES .015 MAX	TITLE MH 16 SL LEG ASSEMBLY			USED ON: NEWMAR SPARTAN DIESEL		
							SIZE A 1:1	SCALE 1:1	MATERIAL AS	NOTED		
NOTICE - This drawing, including principles of design, is the property of Days Corporation, Elkhart, Indiana, with the agreement that it is not to be reproduced, copied, or loaned in any manner that may constitute a detriment directly or indirectly to Days Corporation. Acceptance of this will be construed as an agreement of the above.							DRW BY: SJ	DATE: 2/16/18	PART NAME: MH 16 SL LEG ASSEMBLY			
							APP'D BY: -	DATE: -	PAGE: 1 OF 3	DWG NO.: P70119/7836	REV: -	

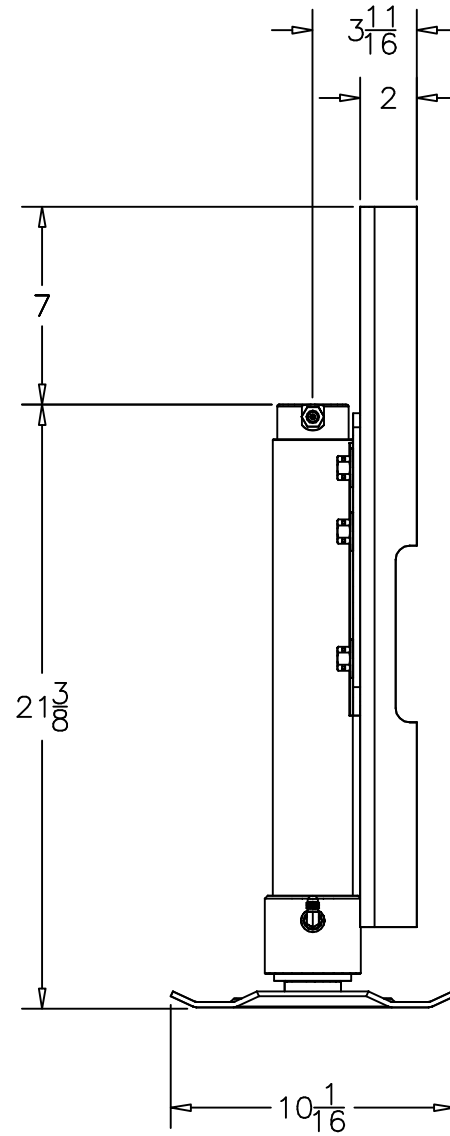


Note:
 On each pair of jacks in this system, one jack will have (1) 1124 fitting and the other will have (2) 1124 fittings.

<i>Equalizer</i>	55169 COUNTY ROAD 3 ELKHART, IN 46515	#	REVISIONS	BY:	DATE:	UNLESS OTHERWISE SPECIFIED: TOLERANCES: .XXX ± 0.010 .XX ± 0.010 .X ± 0.030 ANG. ± 1/2" REMOVE ALL BURRS AND SHARP EDGES .015 MAX	TITLE	USED ON:		
							MH 16 SL LEG ASSEMBLY	NEWMAR SPARTAN DIESEL		
NOTICE - This drawing, including principles of design, is the property of Days Corporation, Elkhart, Indiana, with the agreement that it is not to be reproduced, copied, or loaned in any manner that may constitute a detriment directly or indirectly to Days Corporation. Acceptance of this will be construed as an agreement of the above.						SIZE	SCALE	MATERIAL		
						A	1:1	AS		
						DRW BY:	DATE:	PART NAME:		
						SJ	2/16/18	MH 16 SL LEG ASSEMBLY		
						APP'D BY:	DATE:	PAGE:	DWG NO.:	REV:
						-	-	2 OF 3	P70119/7836	-



Top bolt is in second hole of bracket and second slot in jack



Equalizer

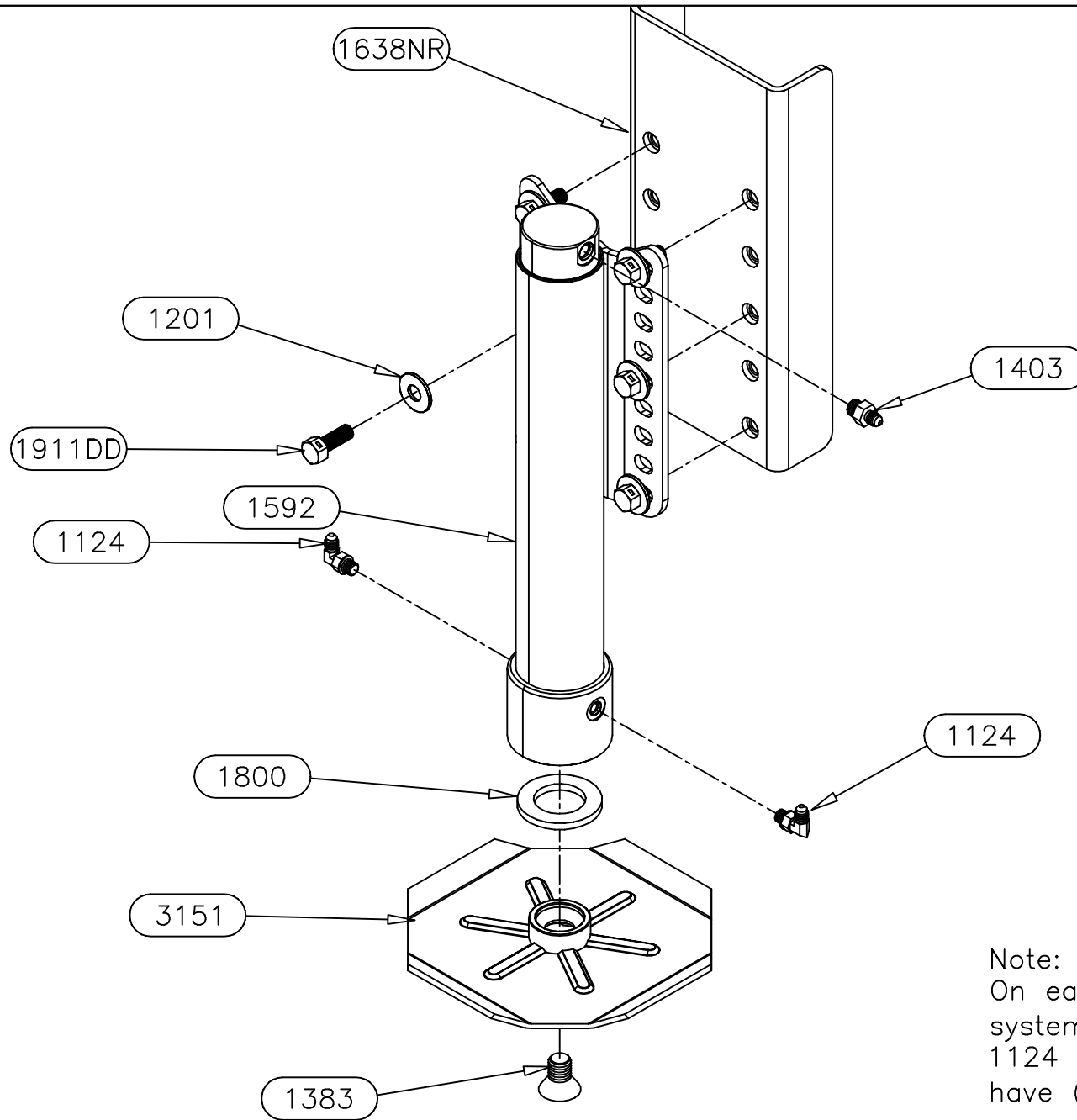
55169 COUNTY ROAD 3
ELKHART, IN 46515

#	REVISIONS	BY:	DATE:

UNLESS OTHERWISE SPECIFIED:
TOLERANCES:
.XXX ± 0.010
.XX ± 0.010
.X ± 0.030
ANG. ± 1/2"
REMOVE ALL BURRS AND SHARP EDGES .015 MAX

TITLE MH 16 SL LEG ASSEMBLY		USED ON: NEWMAR SPARTAN DIESEL	
SIZE A	SCALE 1:1	MATERIAL AS NOTED	
DRW BY: SJ	DATE: 2/16/18	PART NAME: MH 16 SL LEG ASSEMBLY	
APP'D BY: -	DATE: -	PAGE: 3 OF 3	DWG NO.: P70119/7836
			REV: -

NOTICE - This drawing, including principles of design, is the property of Days Corporation, Elkhart, Indiana, with the agreement that it is not to be reproduced, copied, or loaned in any manner that may constitute a detriment directly or indirectly to Days Corporation. Acceptance of this will be construed as an agreement of the above.



Note:
 On each pair of jacks in this system, one jack will have (1) 1124 fitting and the other will have (2) 1124 fittings.

Equalizer

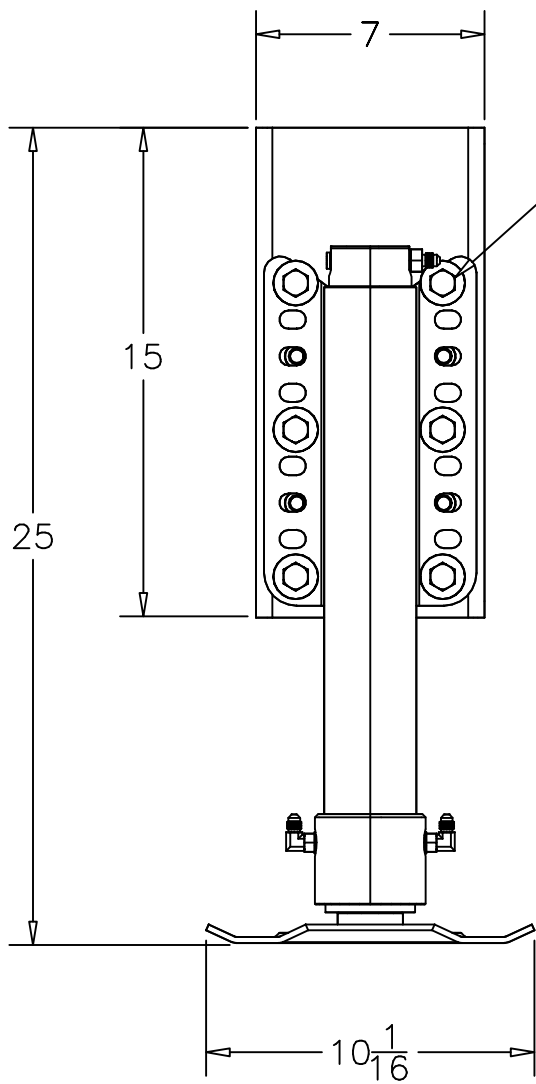
55169 COUNTY ROAD 3
 ELKHART, IN 46515

#	REVISIONS	BY:	DATE:
A	Changed bracket from 1638N to 1638NR	SJ	8/11/20

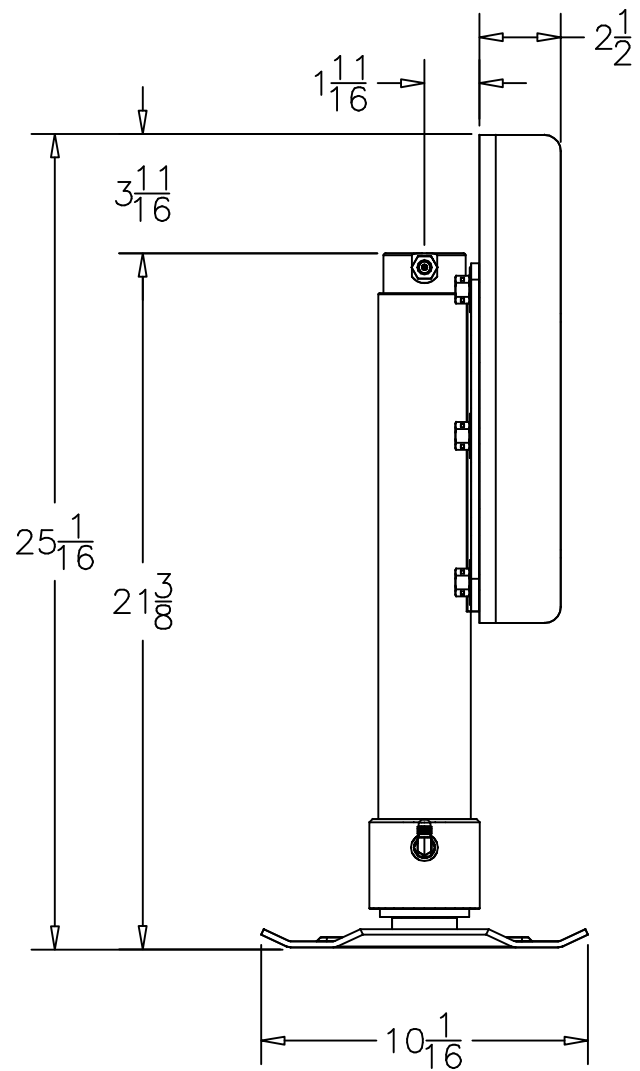
UNLESS OTHERWISE SPECIFIED:
 TOLERANCES:
 .XXX ± 0.010
 .XX ± 0.010
 .X ± 0.030
 ANG. ± 1/2"
 REMOVE ALL BURRS AND SHARP EDGES .015 MAX

TITLE			USED ON:		
MH 16 SL LEG ASSEMBLY			NEWMAR		
SIZE	SCALE	MATERIAL	NOTED		
A	1:1	AS			
DRW BY:	DATE:	PART NAME:			
SJ	2/10/20	MH 16 SL LEG-3" BRACKET			
APP'D BY:	DATE:	PAGE:	DWG NO.:	REV:	
		2 OF 3	P70266/7836	A	

NOTICE - This drawing, including principles of design, is the property of Days Corporation, Elkhart, Indiana, with the agreement that it is not to be reproduced, copied, or loaned in any manner that may constitute a detriment directly or indirectly to Days Corporation. Acceptance of this will be construed as an agreement of the above.



Top bolt through top slot of jack & top hole on bracket



Equalizer

55169 COUNTY ROAD 3
ELKHART, IN 46515

#	REVISIONS	BY:	DATE:
A	Changed bracket from 1638N to 1638NR	SJ	8/11/20

UNLESS OTHERWISE SPECIFIED:
TOLERANCES:
.XXX ± 0.010
.XX ± 0.010
.X ± 0.030
ANG. ± 1/2"
REMOVE ALL BURRS AND SHARP EDGES .015 MAX


TITLE MH 16 SL LEG ASSEMBLY		USED ON: NEWMAR	
SIZE A	SCALE 1:1	MATERIAL AS NOTED	
DRW BY: SJ	DATE: 2/10/20	PART NAME: MH 16 SL LEG-3" BRACKET	
APP'D BY: -	DATE: -	PAGE: 3 OF 3	DWG NO.: P70266/7836
			REV: A

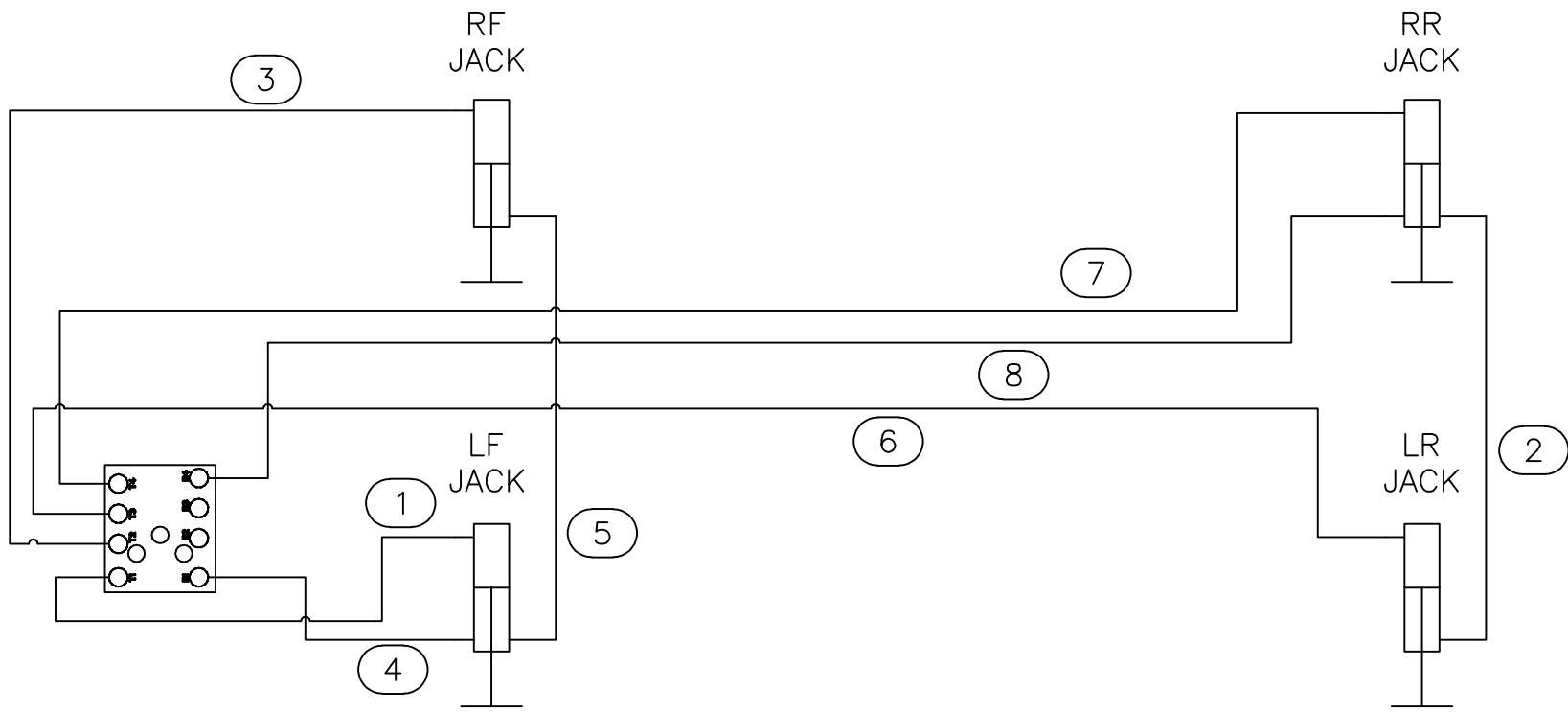
NOTICE - This drawing, including principles of design, is the property of Days Corporation, Elkhart, Indiana, with the agreement that it is not to be reproduced, copied, or loaned in any manner that may constitute a detriment directly or indirectly to Days Corporation. Acceptance of this will be construed as an agreement of the above.

7762 PARTS LIST

ITEM	PART#	DESCRIPTION	QUAN	COLOR CODE	LOCATION
1	2461	HOSE-6'	1	BROWN SOLID	PUMP PORT T1 TO TOP OF LF JACK
2	2463	HOSE-8'	1	ORANGE STRIPE/YELLOW STRIPE	BOTTOM OF LR JACK TO BOTTOM OF RR JACK
3	2463	HOSE-8'	1	WHITE SOLID	PUMP PORT T2 TO TOP OF RF JACK
4	2463	HOSE-8'	1	BROWN STRIPE	PUMP PORT B1 TO BOTTOM OF LF JACK
5	2465	HOSE-10'	1	BROWN STRIPE/WHITE STRIPE	BOTTOM OF LF JACK TO BOTTOM OF RF JACK
6	2484	HOSE-34'	1	ORANGE SOLID	PUMP PORT T3 TO TOP OF LR JACK
7	2482	HOSE-32'	1	YELLOW SOLID	PUMP PORT T4 TO TOP OF RR JACK
8	2484	HOSE-34'	1	YELLOW STRIPE	PUMP PORT B4 TO BOTTOM OF RR JACK

Warranty authorization must come directly from Equalizer Systems. (800) 846-9659.

 55169 COUNTY ROAD 3 ELKHART, IN 46515	#	REVISIONS	BY:	DATE:	UNLESS OTHERWISE SPECIFIED: TOLERANCES: .XXX ± 0.010 .XX ± 0.010 .X ± 0.030 ANG. ± 1/2" REMOVE ALL BURRS AND SHARP EDGES .015 MAX	TITLE	USED ON:	
	A	Updated hose lengths after initial install	SJ	5/24/11		NEWMAR HOSE CHART	18K & 20.5K CHASSIS	
	B	ORANGE SOLID HOSE CHANGED FROM 30' TO 32'	SJ	11/30/16		SIZE SCALE MATERIAL	A 1:1 AS	NOTED
	C	#6 WAS 32', #7 WAS 30', #8 WAS 32'	SJ	6/14/18		DRW BY: DATE:	SJ 5/2/11	PART NAME: HOSE KIT-NEWMAR 8582
NOTICE - This drawing, including principles of design, is the property of Days Corporation, Elkhart, Indiana, with the agreement that it is not to be reproduced, copied, or loaned in any manner that may constitute a detriment directly or indirectly to Days Corporation. Acceptance of this will be construed as an agreement of the above.					APP'D BY: DATE:	- -	PAGE: DWG NO.: REV:	
							1 OF 2 P7762 C	



Warranty authorization must come directly from Equalizer Systems. (800) 846-9659.

Equalizer 55169 COUNTY ROAD 3
ELKHART, IN 46515

NOTICE - This drawing, including principles of design, is the property of Days Corporation, Elkhart, Indiana, with the agreement that it is not to be reproduced, copied, or loaned in any manner that may constitute a detriment directly or indirectly to Days Corporation. Acceptance of this will be construed as an agreement of the above.

#	REVISIONS	BY:	DATE:
A	Updated hose lengths after initial install	SJ	5/24/11
B	ORANGE SOLID HOSE CHANGED FROM 30' TO 32'	SJ	11/30/16
C	#6 WAS 32', #7 WAS 30', #8 WAS 32'	SJ	6/14/18


UNLESS OTHERWISE SPECIFIED:
TOLERANCES:
.XXX ± 0.010
.XX ± 0.010
.X ± 0.030
ANG. ± 1/2"
REMOVE ALL BURRS AND SHARP EDGES .015 MAX

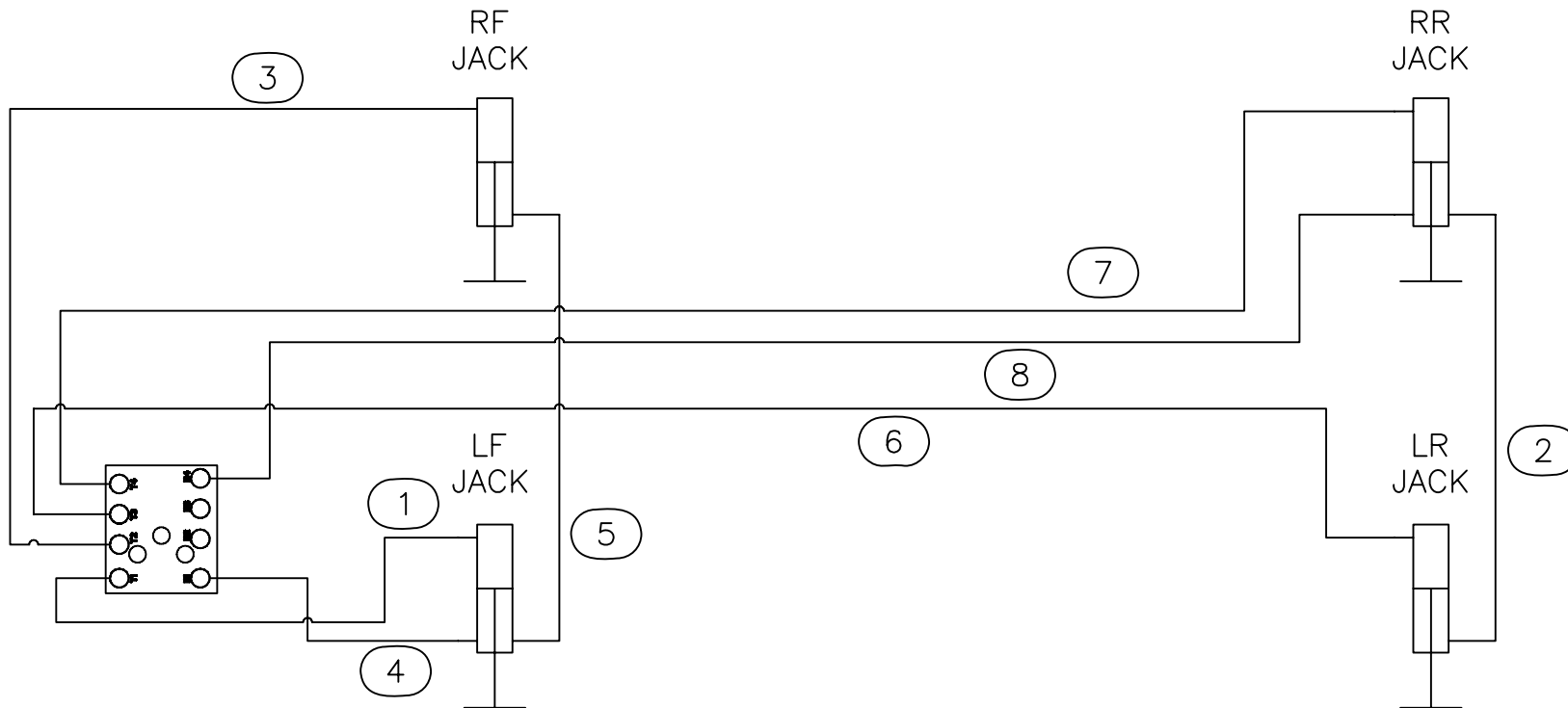
TITLE NEWMAR HOSE CHART		USED ON: 18K & 20.5K CHASSIS	
SIZE A	SCALE 1:1	MATERIAL AS NOTED	
DRW BY: SJ	DATE: 5/2/11	PART NAME: HOSE KIT-NEWMAR 8582	
APP'D BY -	DATE: -	PAGE: 2 OF 2	DWG NO.: P7762
			REV: C

7762 PARTS LIST

ITEM	PART#	DESCRIPTION	QUAN	COLOR CODE	LOCATION
1	2461	HOSE-6'	1	BROWN SOLID	PUMP PORT T1 TO TOP OF LF JACK
2	2463	HOSE-8'	1	ORANGE STRIPE/YELLOW STRIPE	BOTTOM OF LR JACK TO BOTTOM OF RR JACK
3	2463	HOSE-8'	1	WHITE SOLID	PUMP PORT T2 TO TOP OF RF JACK
4	2463	HOSE-8'	1	BROWN STRIPE	PUMP PORT B1 TO BOTTOM OF LF JACK
5	2465	HOSE-10'	1	BROWN STRIPE/WHITE STRIPE	BOTTOM OF LF JACK TO BOTTOM OF RF JACK
6	2486	HOSE-36'	1	ORANGE SOLID	PUMP PORT T3 TO TOP OF LR JACK
7	2486	HOSE-36'	1	YELLOW SOLID	PUMP PORT T4 TO TOP OF RR JACK
8	2488	HOSE-38'	1	YELLOW STRIPE	PUMP PORT B4 TO BOTTOM OF RR JACK

Warranty authorization must come directly from Equalizer Systems. (800) 846-9659.

 55169 COUNTY ROAD 3 ELKHART, IN 46515	#	REVISIONS	BY:	DATE:	UNLESS OTHERWISE SPECIFIED: TOLERANCES: .XXX ± 0.010 .XX ± 0.010 .X ± 0.030 ANG. ± 1/2" REMOVE ALL BURRS AND SHARP EDGES .015 MAX	TITLE NEWMAR HOSE CHART	USED ON: CANYON STAR	
	NOTICE - This drawing, including principles of design, is the property of Days Corporation, Elkhart, Indiana, with the agreement that it is not to be reproduced, copied, or loaned in any manner that may constitute a detriment directly or indirectly to Days Corporation. Acceptance of this will be construed as an agreement of the above.						SIZE SCALE MATERIAL A 1:1 AS NOTED	DRW BY: DATE: SJ 3/28/12
						APP'D BY: DATE: - -	PAGE: DWG NO.: 1 OF 2 P7791	REV: -



Warranty authorization must come directly from Equalizer Systems. (800) 846-9659.

Equalizer

55169 COUNTY ROAD 3
ELKHART, IN 46515

#	REVISIONS	BY:	DATE:

UNLESS OTHERWISE SPECIFIED:
TOLERANCES:
.XXX ± 0.010
.XX ± 0.010
.X ± 0.030
ANG. ± 1/2"
REMOVE ALL BURRS AND SHARP EDGES .015 MAX


TITLE		USED ON:	
NEWMAR HOSE CHART		CANYON STAR	
SIZE	SCALE	MATERIAL	
A	1:1	AS NOTED	
DRW BY:	DATE:	PART NAME:	
SJ	3/28/12	HOSE KIT-NEWMAR 8612	
APP'D BY	DATE:	PAGE:	DWG NO.:
-	-	1 OF 2	P7791
			REV:
			-

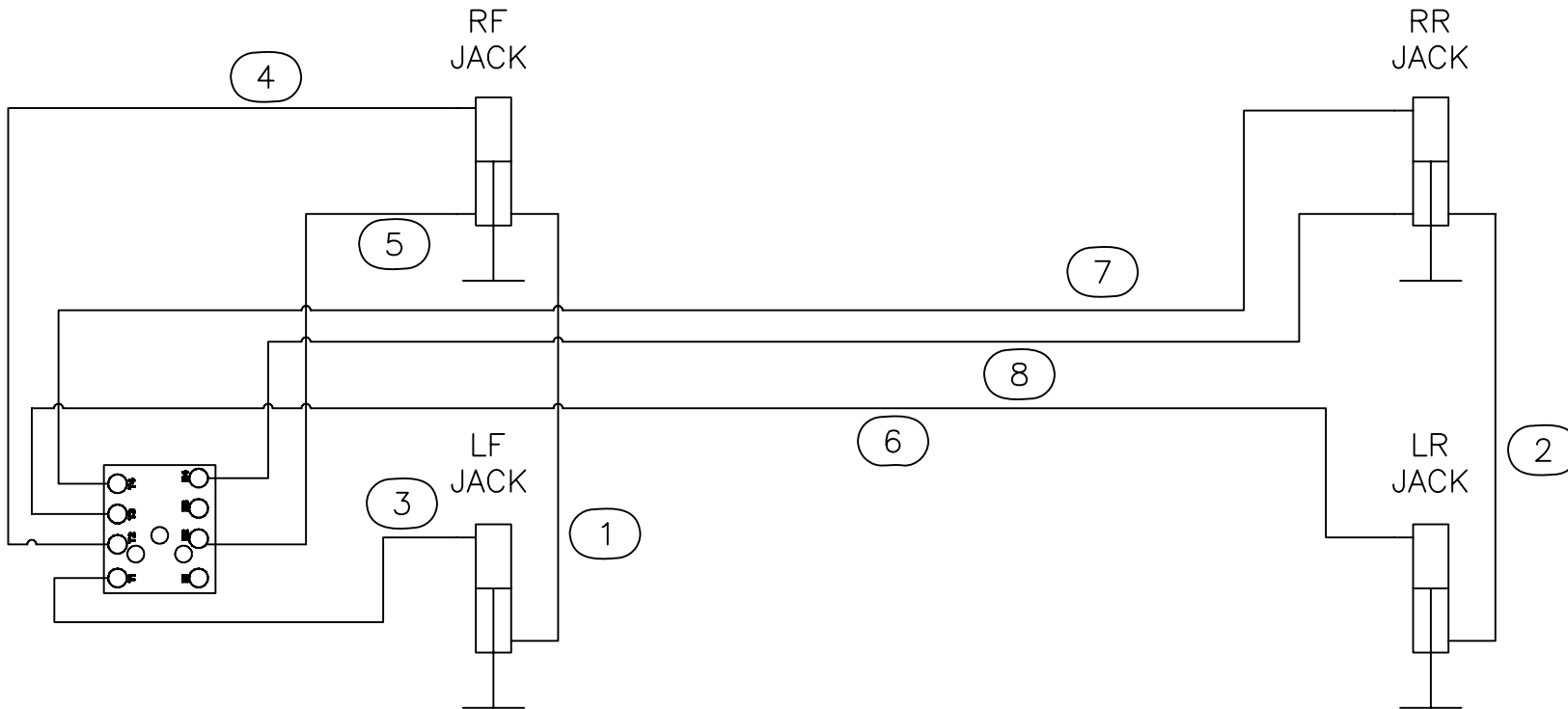
NOTICE - This drawing, including principles of design, is the property of Days Corporation, Elkhart, Indiana, with the agreement that it is not to be reproduced, copied, or loaned in any manner that may constitute a detriment directly or indirectly to Days Corporation. Acceptance of this will be construed as an agreement of the above.

7838 PARTS LIST

ITEM	PART#	DESCRIPTION	QUAN	COLOR CODE	LOCATION
1	2465	HOSE-10'	1	BROWN STRIPE/WHITE STRIPE	BOTTOM OF LF JACK TO BOTTOM OF RF JACK
2	2465	HOSE-10'	1	ORANGE STRIPE/YELLOW STRIPE	BOTTOM OF LR JACK TO BOTTOM OF RR JACK
3	2467	HOSE-12'	1	BROWN SOLID	PUMP PORT T1 TO TOP OF LF JACK
4	2467	HOSE-12'	1	WHITE SOLID	PUMP PORT T2 TO TOP OF RF JACK
5	2469	HOSE-14'	1	WHITE STRIPE	PUMP PORT B2 TO BOTTOM OF RF JACK
6	2484	HOSE-34'	1	ORANGE SOLID	PUMP PORT T3 TO TOP OF LR JACK
7	2484	HOSE-34'	1	YELLOW SOLID	PUMP PORT T4 TO TOP OF RR JACK
8	2486	HOSE-36'	1	YELLOW STRIPE	PUMP PORT B4 TO BOTTOM OF RR JACK

Warranty authorization must come directly from Equalizer Systems. (800) 846-9659.

 55169 COUNTY ROAD 3 ELKHART, IN 46515	#	REVISIONS	BY:	DATE:	UNLESS OTHERWISE SPECIFIED: TOLERANCES: .XXX ± 0.010 .XX ± 0.010 .X ± 0.030 ANG. ± 1/2" REMOVE ALL BURRS AND SHARP EDGES .015 MAX	TITLE	USED ON:			
						NEWMAR HOSE CHART	VENTANA LE 252 & 228 WB			
NOTICE - This drawing, including principles of design, is the property of Days Corporation, Elkhart, Indiana, with the agreement that it is not to be reproduced, copied, or loaned in any manner that may constitute a detriment directly or indirectly to Days Corporation. Acceptance of this will be construed as an agreement of the above.						SIZE	SCALE	MATERIAL	NOTED	
						A	1:1	AS		
							DRW BY:	DATE:		PART NAME:
						SJ	2/5/13	HOSE KIT-NEWMAR 8643		
						APP'D BY	DATE:	PAGE:	DWG NO.:	REV:
						-	-	1 OF 2	P7838	-



Warranty authorization must come directly from Equalizer Systems. (800) 846-9659.

Equalizer

55169 COUNTY ROAD 3
ELKHART, IN 46515

#	REVISIONS	BY:	DATE:

UNLESS OTHERWISE SPECIFIED:
TOLERANCES:
.XXX ± 0.010
.XX ± 0.010
.X ± 0.030
ANG. ± 1/2"
REMOVE ALL BURRS AND SHARP EDGES .015 MAX


TITLE NEWMAR HOSE CHART		USED ON: VENTANA LE 252 & 228 WB	
SIZE A	SCALE 1:1	MATERIAL AS NOTED	
DRW BY: SJ	DATE: 2/5/13	PART NAME: HOSE KIT-NEWMAR 8643	
APP'D BY -	DATE: -	PAGE: 1 OF 2	DWG NO.: P7838
			REV: -

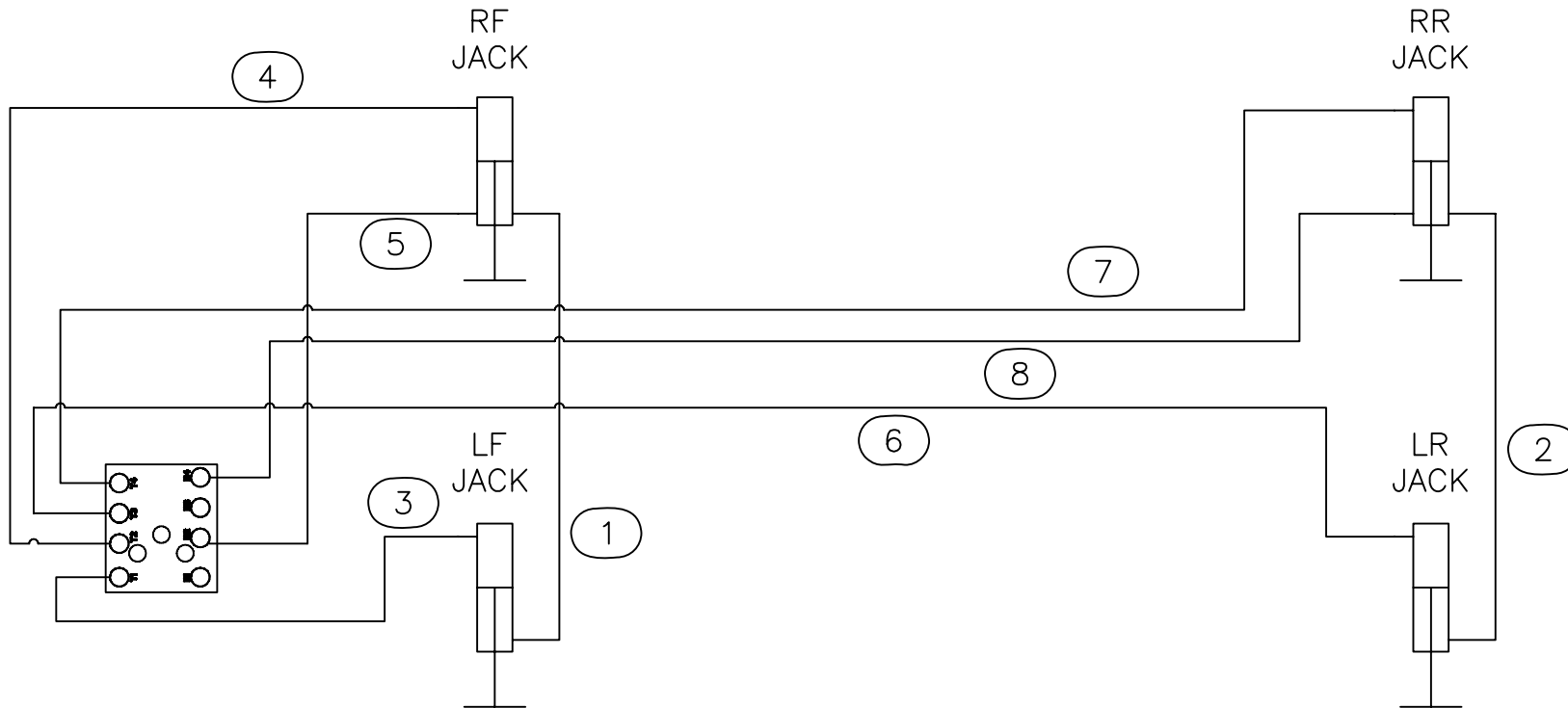
NOTICE - This drawing, including principles of design, is the property of Days Corporation, Elkhart, Indiana, with the agreement that it is not to be reproduced, copied, or loaned in any manner that may constitute a detriment directly or indirectly to Days Corporation. Acceptance of this will be construed as an agreement of the above.

7839 PARTS LIST

ITEM	PART#	DESCRIPTION	QUAN	COLOR CODE	LOCATION
1	2465	HOSE-10'	1	BROWN STRIPE/WHITE STRIPE	BOTTOM OF LF JACK TO BOTTOM OF RF JACK
2	2465	HOSE-10'	1	ORANGE STRIPE/YELLOW STRIPE	BOTTOM OF LR JACK TO BOTTOM OF RR JACK
3	2467	HOSE-12'	1	BROWN SOLID	PUMP PORT T1 TO TOP OF LF JACK
4	2467	HOSE-12'	1	WHITE SOLID	PUMP PORT T2 TO TOP OF RF JACK
5	2469	HOSE-14'	1	WHITE STRIPE	PUMP PORT B2 TO BOTTOM OF RF JACK
6	2527	HOSE-30'	1	ORANGE SOLID	PUMP PORT T3 TO TOP OF LR JACK
7	2527	HOSE-30'	1	YELLOW SOLID	PUMP PORT T4 TO TOP OF RR JACK
8	2482	HOSE-32'	1	YELLOW STRIPE	PUMP PORT B4 TO BOTTOM OF RR JACK

Warranty authorization must come directly from Equalizer Systems. (800) 846-9659.

 55169 COUNTY ROAD 3 ELKHART, IN 46515	#	REVISIONS	BY:	DATE:	UNLESS OTHERWISE SPECIFIED: TOLERANCES: .XXX ± 0.010 .XX ± 0.010 .X ± 0.030 ANG. ± 1/2" REMOVE ALL BURRS AND SHARP EDGES .015 MAX	TITLE		USED ON:		
						NEWMAR HOSE CHART		VENTANA LE 206 WB		
NOTICE - This drawing, including principles of design, is the property of Days Corporation, Elkhart, Indiana, with the agreement that it is not to be reproduced, copied, or loaned in any manner that may constitute a detriment directly or indirectly to Days Corporation. Acceptance of this will be construed as an agreement of the above.						SIZE	SCALE	MATERIAL	NOTED	
						A	1:1	AS		
							DRW BY:	DATE:		PART NAME:
						SJ	2/5/13	HOSE KIT-NEWMAR 8642		
						APP'D BY	DATE:	PAGE:	DWG NO.:	REV:
						-	-	1 OF 2	P7839	-



Warranty authorization must come directly from Equalizer Systems. (800) 846-9659.

Equalizer

55169 COUNTY ROAD 3
ELKHART, IN 46515

#	REVISIONS	BY:	DATE:

UNLESS OTHERWISE SPECIFIED:
TOLERANCES:
.XXX ± 0.010
.XX ± 0.010
.X ± 0.030
ANG. ± 1/2"
REMOVE ALL BURRS AND SHARP EDGES .015 MAX


TITLE NEWMAR HOSE CHART		USED ON: VENTANA LE 206 WB	
SIZE A	SCALE 1:1	MATERIAL AS NOTED	
DRW BY: SJ	DATE: 2/5/13	PART NAME: HOSE KIT-NEWMAR 8642	
APP'D BY -	DATE: -	PAGE: 1 OF 2	DWG NO.: P7839
			REV: -

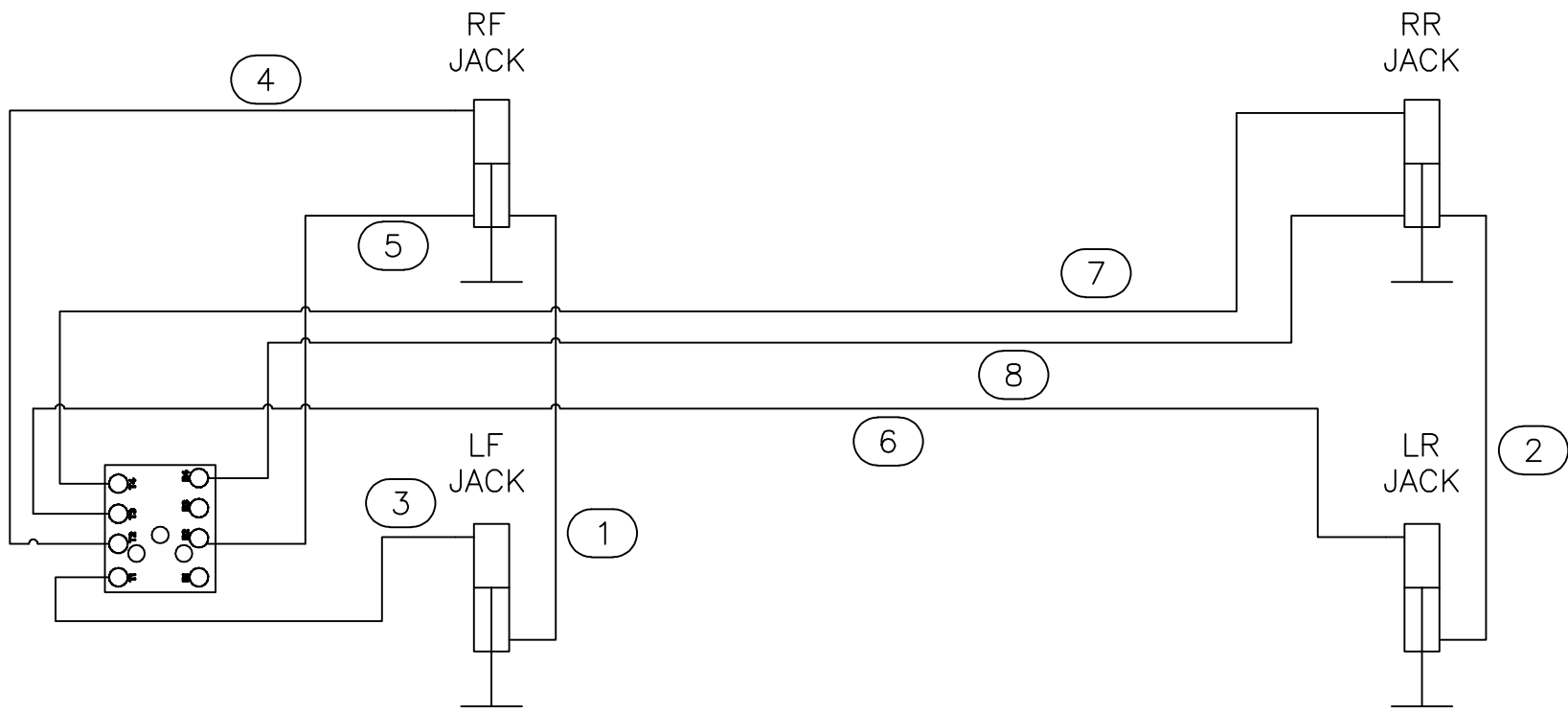
NOTICE - This drawing, including principles of design, is the property of Days Corporation, Elkhart, Indiana, with the agreement that it is not to be reproduced, copied, or loaned in any manner that may constitute a detriment directly or indirectly to Days Corporation. Acceptance of this will be construed as an agreement of the above.

7964 PARTS LIST

ITEM	PART#	DESCRIPTION	QUAN	COLOR CODE	LOCATION
1	2465	HOSE-10'	1	BROWN STRIPE/WHITE STRIPE	BOTTOM OF LF JACK TO BOTTOM OF RF JACK
2	2465	HOSE-10'	1	ORANGE STRIPE/YELLOW STRIPE	BOTTOM OF LR JACK TO BOTTOM OF RR JACK
3	2467	HOSE-12'	1	BROWN SOLID	PUMP PORT T1 TO TOP OF LF JACK
4	2467	HOSE-12'	1	WHITE SOLID	PUMP PORT T2 TO TOP OF RF JACK
5	2469	HOSE-14'	1	WHITE STRIPE	PUMP PORT B2 TO BOTTOM OF RF JACK
6	2488	HOSE-38'	1	ORANGE SOLID	PUMP PORT T3 TO TOP OF LR JACK
7	2488	HOSE-38'	1	YELLOW SOLID	PUMP PORT T4 TO TOP OF RR JACK
8	2488	HOSE-38'	1	YELLOW STRIPE	PUMP PORT B4 TO BOTTOM OF RR JACK

Warranty authorization must come directly from Equalizer Systems. (800) 846-9659.

 55169 COUNTY ROAD 3 ELKHART, IN 46515	#	REVISIONS	BY:	DATE:	UNLESS OTHERWISE SPECIFIED: TOLERANCES: .XXX ± 0.010 .XX ± 0.010 .X ± 0.030 ANG. ± 1/2" REMOVE ALL BURRS AND SHARP EDGES .015 MAX	TITLE	USED ON:
	A	Orange Solid & Yellow Solid changed from 36' to 38'	SJ	4/29/19		NEWMAR HOSE CHART	VENTANA LE 276 WB
NOTICE - This drawing, including principles of design, is the property of Days Corporation, Elkhart, Indiana, with the agreement that it is not to be reproduced, copied, or loaned in any manner that may constitute a detriment directly or indirectly to Days Corporation. Acceptance of this will be construed as an agreement of the above.						SIZE SCALE MATERIAL A 1:1 AS NOTED	
						DRW BY: DATE: PART NAME: SJ 1/20/16 HOSE KIT-NEWMAR 8749	
						APP'D BY: DATE: PAGE: DWG NO.: REV: - - 1 OF 2 P7964 A	



Warranty authorization must come directly from Equalizer Systems. (800) 846-9659.

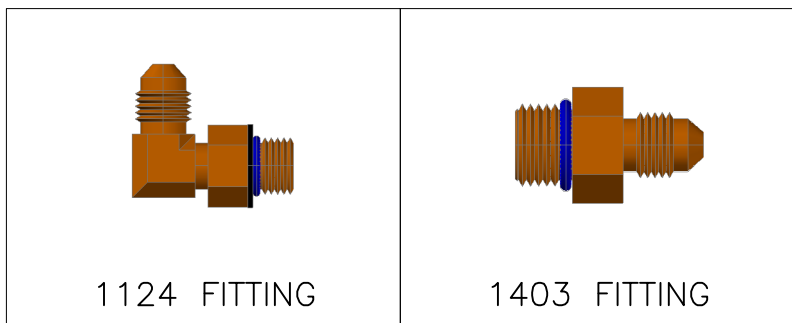
Equalizer 55169 COUNTY ROAD 3 ELKHART, IN 46515	#	REVISIONS	BY:	DATE:	UNLESS OTHERWISE SPECIFIED: TOLERANCES: .XXX ± 0.010 .XX ± 0.010 .X ± 0.030 ANG. ± 1/2" REMOVE ALL BURRS AND SHARP EDGES .015 MAX	TITLE	USED ON:
	A	Orange Solid & Yellow Solid changed from 36' to 38'	SJ	4/29/19		NEWMAR HOSE CHART	VENTANA LE 276 WB
NOTICE - This drawing, including principles of design, is the property of Days Corporation, Elkhart, Indiana, with the agreement that it is not to be reproduced, copied, or loaned in any manner that may constitute a detriment directly or indirectly to Days Corporation. Acceptance of this will be construed as an agreement of the above.					SIZE	SCALE	MATERIAL
					A	1:1	AS NOTED
					DRW BY:	DATE:	PART NAME:
				SJ	1/20/16	HOSE KIT-NEWMAR 8749	
				APP'D BY	DATE:	PAGE:	DWG NO.:
				-	-	1 OF 2	P7964
							REV:
							A

70264 PARTS LIST

ITEM	PART#	DESCRIPTION	QUAN	COLOR CODE	LOCATION
1	2461	HOSE-6'	1	BROWN SOLID	PUMP PORT T1 TO TOP OF LF JACK
2	2463	HOSE-8'	1	BROWN STRIPE	PUMP PORT B1 TO BOTTOM OF LF JACK
3	2463	HOSE-8'	1	ORANGE STRIPE/YELLOW STRIPE	BOTTOM OF LR JACK TO BOTTOM OF RR JACK
4	2465	HOSE-10'	1	BROWN STRIPE/WHITE STRIPE	BOTTOM OF LF JACK TO BOTTOM OF RF JACK
5	2467	HOSE-12'	1	WHITE SOLID	PUMP PORT T2 TO TOP OF RF JACK
6	3018	HOSE-26'	1	ORANGE SOLID	PUMP PORT T3 TO TOP OF LR JACK
7	2535	HOSE-28'	1	ORANGE STRIPE	PUMP PORT B3 TO BOTTOM OF LR JACK
8	2527	HOSE-30'	1	YELLOW SOLID	PUMP PORT T4 TO TOP OF RR JACK

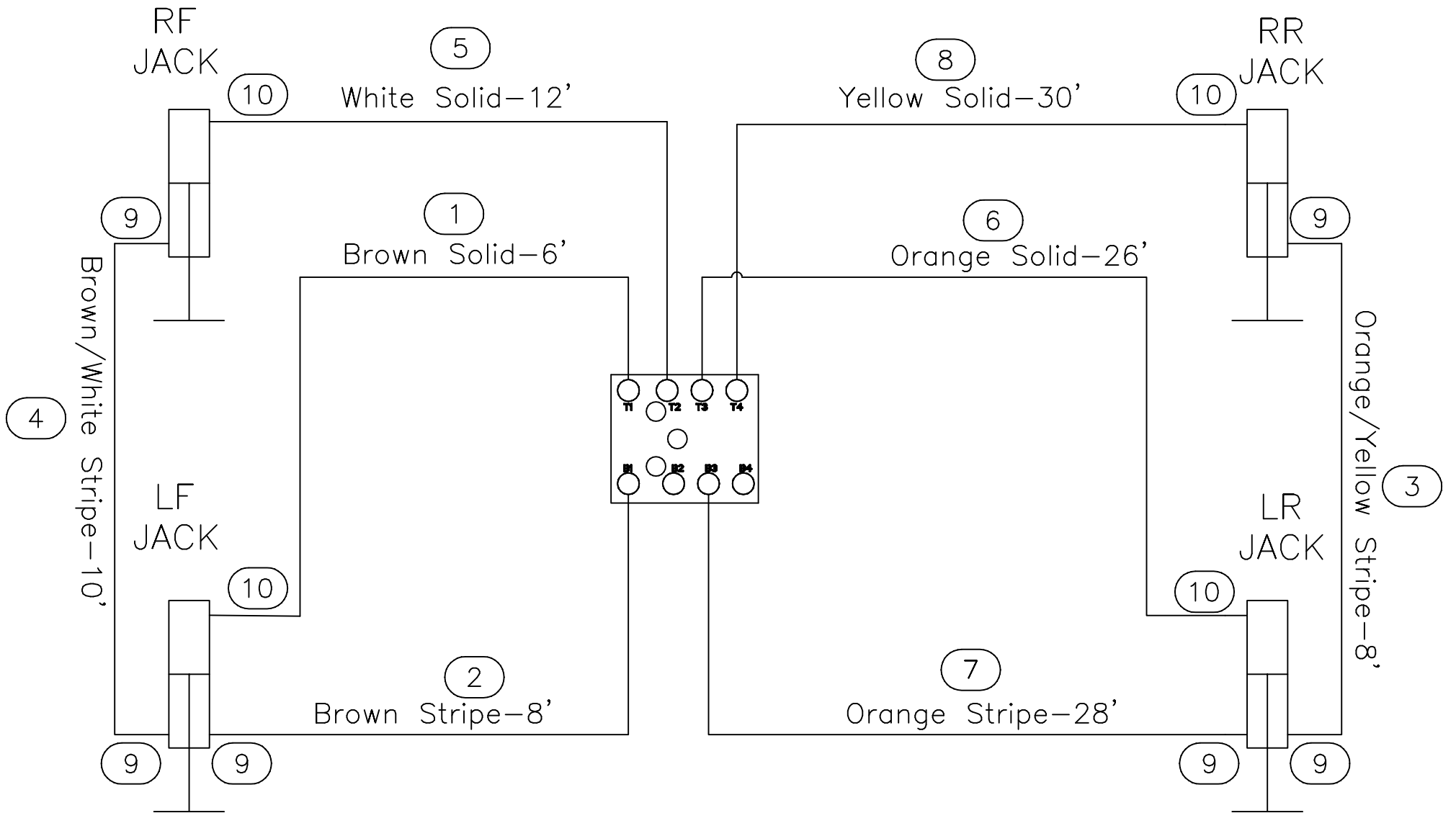
REQUIRED JACK FITTINGS

ITEM	PART#	DESCRIPTION	QUAN
9	1124	FITTING-#4 JIC X #4 OR MALE 90	6
10	1403	FITTING-RESTRICTOR #6 X #4-042 ORIFICE	4



Warranty authorization must come directly from Equalizer Systems. (800) 846-9659.

<p><i>Equalizer</i> 55169 COUNTY ROAD 3 ELKHART, IN 46515</p>	#	REVISIONS	BY:	DATE:	UNLESS OTHERWISE SPECIFIED: TOLERANCES: .XXX ± 0.010 .XX ± 0.010 .X ± 0.030 ANG. ± 1/2"	TITLE	USED ON:			
						NEWMAR HOSE CHART	CANYON STAR			
<p>NOTICE - This drawing, including principles of design, is the property of Days Corporation, Elkhart, Indiana, with the agreement that it is not to be reproduced, copied, or loaned in any manner that may constitute a detriment directly or indirectly to Days Corporation. Acceptance of this will be construed as an agreement of the above.</p>					REMOVE ALL BURRS AND SHARP EDGES .015 MAX	SIZE	SCALE	MATERIAL	NOTED	
						A	1:1	AS		
							DRW BY:	DATE:	PART NAME:	
							SJ	1/27/20	HOSE KIT-NEWMAR 8846	
						APP'D BY	DATE:	PAGE:	DWG NO.:	REV:
						-	-	1 OF 2	P70264	-



Warranty authorization must come directly from Equalizer Systems. (800) 846-9659.

Equalizer 55169 COUNTY ROAD 3 ELKHART, IN 46515	#	REVISIONS	BY:	DATE:	UNLESS OTHERWISE SPECIFIED: TOLERANCES: .XXX ± 0.010 .XX ± 0.010 .X ± 0.030 ANG. ± 1/2" REMOVE ALL BURRS AND SHARP EDGES .015 MAX	TITLE	USED ON:
	NOTICE - This drawing, including principles of design, is the property of Days Corporation, Elkhart, Indiana, with the agreement that it is not to be reproduced, copied, or loaned in any manner that may constitute a detriment directly or indirectly to Days Corporation. Acceptance of this will be construed as an agreement of the above.						NEWMAR HOSE CHART CANYON STAR
						SIZE SCALE MATERIAL A 1:1 AS	PAGE: 2 OF 2 DWG NO.: P70264
						DRW BY: SJ DATE: 1/27/20	REV: -

MAIN HARNESS #6918

INPUT. PARK BRAKE GND WHEN BRAKE ON
INPUT. IGNITION FROM COACH. 12V+ WHEN IGN ON.

GAGE	COLOR
18	BLK/YELLOW-BUTT SPLICE
18	PINK-BUTT SPLICE

KEY PAD #3103

INPUT. 12V
INPUT. GROUND
OUTPUT. DATA
OUTPUT. DATA

PIN	GAGE	COLOR
1	18	RED
2	18	BLACK
3	18	BROWN/WHITE
4	18	GRN/WHITE

AUTO LEVEL CONTROLLER #3055

INPUT. DATA
INPUT. DATA
OUTPUT. POWER TO KEY PAD
OUTPUT. GND TO KEY PAD
INPUT. 12V+ WHEN IGN ON
INPUT. PARK BRAKE GND. SEE NOTES

PIN	GAGE	COLOR
1	18	BROWN/WHITE
2	18	GREEN/WHITE
3	18	RED
4	18	BLACK
5	18	PINK
6	18	BLACK/YELLOW
7		
8		
9		

INPUT 12V+ FROM PUMP (MINIMUM 10.5V)
INPUT GND FROM PUMP
OUTPUT 12V+ TO PUMP VALVE LF
OUTPUT 12V+ TO PUMP VALVE RF
OUTPUT 12V+ TO PUMP VALVE RR
OUTPUT 12V+ TO PUMP VALVE LR
OUTPUT 12V+ TO PUMP RETRACT
OUTPUT 12V+ TO PUMP EXTEND
OUTPUT 12V+ TO PUMP PRESSURE SW

PIN	GAGE	COLOR
1	12	RED
2	12	BLACK
3	18	BROWN
4	18	WHITE
5	18	YELLOW
6	18	ORANGE
7	18	GREEN
8	18	BLUE
9	18	YELLOW/BLACK

BI-ROTATIONAL PUMP #7770

HARNESS 6910

PIN	GAGE	COLOR
1	18	ORANGE
2	18	WHITE
3	18	BLUE
4	18	YELLOW
5	18	BROWN
6	18	GREEN
7		
8		
9	18	YELLOW/BLACK

PIN	GAGE	COLOR
1	18	ORANGE
2	18	WHITE
3	16	DARK BLUE
4	18	YELLOW
5	18	BROWN
6	16	DARK GREEN
7		
8		
9	18	YELLOW/BLACK

INPUT. 12V+ TO LEFT REAR VALVE COIL
INPUT. 12V+ TO RIGHT FRONT VALVE COIL
INPUT. 12V+ TO MOTOR EXTEND SOLENOID
INPUT. 12V+ TO RIGHT REAR VALVE COIL
INPUT. 12V+ TO LEFT FRONT VALVE COIL
INPUT. 12V+ TO MOTOR RETRACT SOLENOID

PRESSURE SW 12V+ OUTPUT

HARNESS 6572C

PIN	GAGE	COLOR
B	12	BLACK
A	12	RED

PIN	GAGE	COLOR
B	12	BLACK
A	12	RED

GROUND FROM CHASSIS
12V+ YELLOW (20A FUSE)

EQUALIZER SYSTEMS
MAIN 12V POWER
INPUT. FROM PUMP
MOTOR SOLENOID
AND CHASSIS
BATTERIES.

GROUND INPUT
FROM CHASSIS
CONNECTED TO STUD
ON SIDE OF PUMP

NOTES:

THE 12V POWER SOURCE MUST NOT DROP BELOW 10.5 VOLTS MEASURED AT THE YELLOW FUSE WIRE ON THE PUMP OR THE PUMP VALVE COIL BEING ENERGIZED WITH THE METER GROUND ON THE PUMP CASE GROUND.

THE PARK BRAKE INPUT TO THE LEVEL CONTROLLER ARE GROUND INPUTS. IT IS PULLED HIGH TO 12V INTERNALLY THROUGH A RESISTOR. IT IS LOOKING FOR AN ACTIVE LOW INPUT SIGNAL. WHEN THE PARK BRAKE IS ON, IT'S SENDING A GROUND TO THE PARK BRAKE INPUT OF THE LEVEL CONTROLLER.

Equalizer

55169 COUNTY ROAD 3
ELKHART, IN 46515

#

REVISIONS

BY:

DATE:

UNLESS OTHERWISE

SPECIFIED:

TOLERANCES:

.XXX ± 0.010

.XX ± 0.010

.X ± 0.030

ANG. ± 1/2"

REMOVE ALL BURRS AND
SHARP EDGES .015 MAX

TITLE

AUTO LEVEL SCHEMATIC

USED ON:

NEWMAR-BAY STAR & CANYON STAR

SIZE SCALE SYSTEMS

A 1: 1 8582-8582A-8612

DRW BY:

SJ

DATE:

2/6/13

PART NAME:

AUTO LEVEL WIRING SCHEMATIC

APP'D BY

-

DATE:

-

PAGE:

1 OF 1

DWG NO.:

P8582

REV:

-

NOTICE - This drawing, including principles of design, is the property of Days Corporation, Elkhart, Indiana, with the agreement that it is not to be reproduced, copied, or loaned in any manner that may constitute a detriment directly or indirectly to Days Corporation. Acceptance of this will be construed as an agreement of the above.

MAIN HARNESS #6918

INPUT. PARK BRAKE GND WHEN BRAKE ON
INPUT. IGNITION FROM COACH. 12V+ WHEN IGN ON.

GAGE	COLOR
18	BLK/YELLOW-BUTT SPLICE
18	PINK-BUTT SPLICE

KEY PAD #3103

INPUT. 12V
INPUT. GROUND
OUTPUT. DATA
OUTPUT. DATA

PIN	GAGE	COLOR
1	18	RED
2	18	BLACK
3	18	BROWN/WHITE
4	18	GRN/WHITE

AUTO LEVEL CONTROLLER #3149

INPUT. DATA
INPUT. DATA
OUTPUT. POWER TO KEY PAD
OUTPUT. GND TO KEY PAD
INPUT. 12V+ WHEN IGN ON
INPUT. PARK BRAKE GND. SEE NOTES

PIN	GAGE	COLOR
1	18	BROWN/WHITE
2	18	GREEN/WHITE
3	18	RED
4	18	BLACK
5	18	PINK
6	18	BLACK/YELLOW
7		
8		
9		

INPUT 12V+ FROM PUMP (MINIMUM 10.5V)
INPUT GND FROM PUMP
OUTPUT 12V+ TO PUMP VALVE LF
OUTPUT 12V+ TO PUMP VALVE RF
OUTPUT 12V+ TO PUMP VALVE RR
OUTPUT 12V+ TO PUMP VALVE LR
OUTPUT 12V+ TO PUMP RETRACT
OUTPUT 12V+ TO PUMP EXTEND
OUTPUT 12V+ TO PUMP PRESSURE SW

PIN	GAGE	COLOR
1	12	RED
2	12	BLACK
3	18	BROWN
4	18	WHITE
5	18	YELLOW
6	18	ORANGE
7	18	GREEN
8	18	BLUE
9	18	YELLOW/BLACK

BI-ROTATIONAL PUMP #7770

HARNESS 6910

PIN	GAGE	COLOR
1	18	ORANGE
2	18	WHITE
3	18	BLUE
4	18	YELLOW
5	18	BROWN
6	18	GREEN
7		
8		
9	18	YELLOW/BLACK

PIN	GAGE	COLOR
1	18	ORANGE
2	18	WHITE
3	16	DARK BLUE
4	18	YELLOW
5	18	BROWN
6	16	DARK GREEN
7		
8		
9	18	YELLOW/BLACK

INPUT. 12V+ TO LEFT REAR VALVE COIL
INPUT. 12V+ TO RIGHT FRONT VALVE COIL
INPUT. 12V+ TO MOTOR EXTEND SOLENOID
INPUT. 12V+ TO RIGHT REAR VALVE COIL
INPUT. 12V+ TO LEFT FRONT VALVE COIL
INPUT. 12V+ TO MOTOR RETRACT SOLENOID

PRESSURE SW 12V+ OUTPUT

HARNESS 6572C

PIN	GAGE	COLOR
B	12	BLACK
A	12	RED

PIN	GAGE	COLOR
B	12	BLACK
A	12	RED

GROUND FROM CHASSIS
12V+ YELLOW (20A FUSE)

EQUALIZER SYSTEMS
MAIN 12V POWER
INPUT. FROM PUMP
MOTOR SOLENOID
AND CHASSIS
BATTERIES.

GROUND INPUT
FROM CHASSIS
CONNECTED TO STUD
ON SIDE OF PUMP

NOTES:

THE 12V POWER SOURCE MUST NOT DROP BELOW 10.5 VOLTS MEASURED AT THE YELLOW FUSE WIRE ON THE PUMP OR THE PUMP VALVE COIL BEING ENERGIZED WITH THE METER GROUND ON THE PUMP CASE GROUND.

THE PARK BRAKE INPUT TO THE LEVEL CONTROLLER ARE GROUND INPUTS. IT IS PULLED HIGH TO 12V INTERNALLY THROUGH A RESISTOR. IT IS LOOKING FOR AN ACTIVE LOW INPUT SIGNAL. WHEN THE PARK BRAKE IS ON, IT'S SENDING A GROUND TO THE PARK BRAKE INPUT OF THE LEVEL CONTROLLER.

Equalizer

55169 COUNTY ROAD 3
ELKHART, IN 46515

#

REVISIONS

BY:

DATE:

UNLESS OTHERWISE

SPECIFIED:

TOLERANCES:

.XXX ± 0.010

.XX ± 0.010

.X ± 0.030

ANG. ± 1/2"

REMOVE ALL BURRS AND
SHARP EDGES .015 MAX

TITLE

AUTO LEVEL SCHEMATIC

USED ON:

NEWMAR-BAY STAR & CANYON STAR

SIZE

A

SCALE

1: 1

SYSTEMS

8582B-8582C-8612A-8612B

DRW BY:

SJ

DATE:

2/6/13

PART NAME:

AUTO LEVEL WIRING SCHEMATIC

APP'D BY

-

DATE:

-

PAGE:

1 OF 1

DWG NO.:

P8582B

REV:

-

NOTICE - This drawing, including principles of design, is the property of Days Corporation, Elkhart, Indiana, with the agreement that it is not to be reproduced, copied, or loaned in any manner that may constitute a detriment directly or indirectly to Days Corporation. Acceptance of this will be construed as an agreement of the above.

MAIN HARNESS #6918

INPUT. PARK BRAKE GND WHEN BRAKE ON
 INPUT. IGNITION FROM COACH. 12V+ WHEN IGN ON.

GAGE	COLOR
18	BLK/YELLOW-BUTT SPLICE
18	PINK-BUTT SPLICE

KEY PAD #3103

INPUT. 12V
 INPUT. GROUND
 OUTPUT. DATA
 OUTPUT. DATA

PIN	GAGE	COLOR
1	18	RED
2	18	BLACK
3	18	BROWN/WHITE
4	18	GRN/WHITE

AUTO LEVEL CONTROLLER #3149A

INPUT. DATA
 INPUT. DATA
 OUTPUT. POWER TO KEY PAD
 OUTPUT. GND TO KEY PAD
 INPUT. 12V+ WHEN IGN ON
 INPUT. PARK BRAKE GND. SEE NOTES

PIN	GAGE	COLOR
1	18	BROWN/WHITE
2	18	GREEN/WHITE
3	18	RED
4	18	BLACK
5	18	PINK
6	18	BLACK/YELLOW
7		
8		
9		

INPUT 12V+ FROM PUMP (MINIMUM 10.5V)
 INPUT GND FROM PUMP
 OUTPUT 12V+ TO PUMP VALVE LF
 OUTPUT 12V+ TO PUMP VALVE RF
 OUTPUT 12V+ TO PUMP VALVE RR
 OUTPUT 12V+ TO PUMP VALVE LR
 OUTPUT 12V+ TO PUMP RETRACT
 OUTPUT 12V+ TO PUMP EXTEND
 OUTPUT 12V+ TO PUMP PRESSURE SW

PIN	GAGE	COLOR
1	12	RED
2	12	BLACK
3	18	BROWN
4	18	WHITE
5	18	YELLOW
6	18	ORANGE
7	18	GREEN
8	18	BLUE
9	18	YELLOW/BLACK

BI-ROTATIONAL PUMP #7770

HARNESS 6910

PIN	GAGE	COLOR
1	18	ORANGE
2	18	WHITE
3	18	BLUE
4	18	YELLOW
5	18	BROWN
6	18	GREEN
7		
8		
9	18	YELLOW/BLACK

PIN	GAGE	COLOR
1	18	ORANGE
2	18	WHITE
3	16	DARK BLUE
4	18	YELLOW
5	18	BROWN
6	16	DARK GREEN
7		
8		
9	18	YELLOW/BLACK

INPUT. 12V+ TO LEFT REAR VALVE COIL
 INPUT. 12V+ TO RIGHT FRONT VALVE COIL
 INPUT. 12V+ TO MOTOR EXTEND SOLENOID
 INPUT. 12V+ TO RIGHT REAR VALVE COIL
 INPUT. 12V+ TO LEFT FRONT VALVE COIL
 INPUT. 12V+ TO MOTOR RETRACT SOLENOID

PRESSURE SW 12V+ OUTPUT

HARNESS 6572C

PIN	GAGE	COLOR
B	12	BLACK
A	12	RED

PIN	GAGE	COLOR
B	12	BLACK
A	12	RED

GROUND FROM CHASSIS
 12V+ YELLOW (20A FUSE)

EQUALIZER SYSTEMS
 MAIN 12V POWER
 INPUT. FROM PUMP
 MOTOR SOLENOID
 AND CHASSIS
 BATTERIES.

GROUND INPUT
 FROM CHASSIS
 CONNECTED TO STUD
 ON SIDE OF PUMP

NOTES:

THE 12V POWER SOURCE MUST NOT DROP BELOW 10.5 VOLTS MEASURED AT THE YELLOW FUSE WIRE ON THE PUMP OR THE PUMP VALVE COIL BEING ENERGIZED WITH THE METER GROUND ON THE PUMP CASE GROUND.

THE PARK BRAKE INPUT TO THE LEVEL CONTROLLER ARE GROUND INPUTS. IT IS PULLED HIGH TO 12V INTERNALLY THROUGH A RESISTOR. IT IS LOOKING FOR AN ACTIVE LOW INPUT SIGNAL. WHEN THE PARK BRAKE IS ON, IT'S SENDING A GROUND TO THE PARK BRAKE INPUT OF THE LEVEL CONTROLLER.

Equalizer

55169 COUNTY ROAD 3
 ELKHART, IN 46515

#

REVISIONS

BY:

DATE:

UNLESS OTHERWISE

SPECIFIED:

TOLERANCES:

.XXX ± 0.010

.XX ± 0.010

.X ± 0.030

ANG. ± 1/2"

REMOVE ALL BURRS AND
 SHARP EDGES .015 MAX

TITLE

AUTO LEVEL SCHEMATIC

USED ON:

NEWMAR-BAY STAR & CANYON STAR

SIZE SCALE SYSTEMS

A 1: 1 8582D-8612C

DRW BY:

SJ

DATE:

7/26/16

PART NAME:

AUTO LEVEL WIRING SCHEMATIC

APP'D BY

-

DATE:

-

PAGE:

1 OF 1

DWG NO.:

P8582D

REV:

-

NOTICE - This drawing, including principles of design, is the property of Days Corporation, Elkhart, Indiana, with the agreement that it is not to be reproduced, copied, or loaned in any manner that may constitute a detriment directly or indirectly to Days Corporation. Acceptance of this will be construed as an agreement of the above.

MAIN HARNESS #6940

GRAY = 12V+ FOR TWO MINUTES TO DEFLATE AIR SUSPENSION INITIATED BY THE AUTO LEVEL COMMAND.
PURPLE = 12V+ TO INFLATE AIR SUSPENSION INITIATED BY ALL RETRACT COMMAND.

PIN	GAGE	COLOR
1	18	GREY
2	18	PURPLE
3	18	BLACK
4		

INPUT. PARK BRAKE GND WHEN BRAKE ON
INPUT. IGNITION FROM COACH. 12V+ WHEN IGN ON.

PIN	GAGE	COLOR
1		
2	18	BLK/YELLOW
3	18	PINK

KEY PAD #3103

INPUT. 12V
INPUT. GROUND
OUTPUT. DATA
OUTPUT. DATA

PIN	GAGE	COLOR
1	18	RED
2	18	BLACK
3	18	BROWN/WHITE
4	18	GRN/WHITE

AUTO LEVEL CONTROLLER #3149

INPUT. DATA
INPUT. DATA
OUTPUT. POWER TO KEY PAD
OUTPUT. GND TO KEY PAD
INPUT. 12V+ WHEN IGN ON
INPUT. PARK BRAKE GND. SEE NOTES
OUTPUT 12V+ (SUSPENSION INFLATE)
OUTPUT 12V+ (SUSPENSION DEFLATE)

PIN	GAGE	COLOR
1	18	BROWN/WHITE
2	18	GREEN/WHITE
3	18	RED
4	18	BLACK
5	18	PINK
6	18	BLACK/YELLOW
7	18	PURPLE
8	18	GREY
9		

INPUT 12V+ FROM PUMP (MINIMUM 10.5V)
INPUT GND FROM PUMP
OUTPUT 12V+ TO PUMP VALVE LF
OUTPUT 12V+ TO PUMP VALVE RF
OUTPUT 12V+ TO PUMP VALVE RR
OUTPUT 12V+ TO PUMP VALVE LR
OUTPUT 12V+ TO PUMP RETRACT
OUTPUT 12V+ TO PUMP EXTEND
OUTPUT 12V+ TO PUMP PRESSURE SW

PIN	GAGE	COLOR
1	12	RED
2	12	BLACK
3	18	BROWN
4	18	WHITE
5	18	YELLOW
6	18	ORANGE
7	18	GREEN
8	18	BLUE
9	18	YELLOW/BLACK

BI-ROTATIONAL PUMP #7837

HARNESS 6791BR

PIN	GAGE	COLOR
1	18	ORANGE
2	18	WHITE
3	18	BLUE
4	18	YELLOW
5	18	BROWN
6	18	GREEN
7		
8		
9	18	YELLOW/BLACK

PIN	GAGE	COLOR
1	18	ORANGE
2	14	WHITE
3	18	DARK BLUE
4	18	YELLOW
5	18	BROWN
6	18	DARK GREEN
7		
8		
9	18	YELLOW/BLACK

INPUT. 12V+ TO LEFT REAR VALVE COIL
INPUT. 12V+ TO RIGHT FRONT VALVE COIL
INPUT. 12V+ TO MOTOR EXTEND SOLENOID
INPUT. 12V+ TO RIGHT REAR VALVE COIL
INPUT. 12V+ TO LEFT FRONT VALVE COIL
INPUT. 12V+ TO MOTOR RETRACT SOLENOID

PRESSURE SW 12V+ OUTPUT

PIN	GAGE	COLOR
B	12	BLACK
A	12	RED

PIN	GAGE	COLOR
B	12	BLACK
A	12	RED

HARNESS 6572

GROUND FROM CHASSIS
12V+ YELLOW (20A FUSE)

EQUALIZER SYSTEMS
MAIN 12V POWER
INPUT. FROM PUMP
MOTOR SOLENOID
AND CHASSIS
BATTERIES.

GROUND INPUT
FROM CHASSIS
CONNECTED TO STUD
ON SIDE OF PUMP

NOTES:

THE 12V POWER SOURCE MUST NOT DROP BELOW 10.5 VOLTS MEASURED AT THE YELLOW FUSE WIRE ON THE PUMP OR THE PUMP VALVE COIL BEING ENERGIZED WITH THE METER GROUND ON THE PUMP CASE GROUND.

THE PARK BRAKE INPUT TO THE LEVEL CONTROLLER ARE GROUND INPUTS. IT IS PULLED HIGH TO 12V INTERNALLY THROUGH A RESISTOR. IT IS LOOKING FOR AN ACTIVE LOW INPUT SIGNAL. WHEN THE PARK BRAKE IS ON, IT'S SENDING A GROUND TO THE PARK BRAKE INPUT OF THE LEVEL CONTROLLER.

Equalizer

55169 COUNTY ROAD 3
ELKHART, IN 46515

#	REVISIONS	BY:	DATE:

UNLESS OTHERWISE SPECIFIED:
TOLERANCES:
.XXX ± 0.010
.XX ± 0.010
.X ± 0.030
ANG. ± 1/2"
REMOVE ALL BURRS AND SHARP EDGES .015 MAX

TITLE			USED ON:		
AUTO LEVEL SCHEMATIC			NEWMAR-VENTANA LE & VENTANA		
SIZE	SCALE	SYSTEMS			
A	1: 1	8282-8311-8642-8643-8749			
DRW BY:	DATE:	PART NAME:			
SJ	2/6/13	AUTO LEVEL WIRING SCHEMATIC			
APP'D BY:	DATE:	PAGE:	DWG NO.:	REV:	
—	—	1 OF 1	P8282	—	—

NOTICE - This drawing, including principles of design, is the property of Days Corporation, Elkhart, Indiana, with the agreement that it is not to be reproduced, copied, or loaned in any manner that may constitute a detriment directly or indirectly to Days Corporation. Acceptance of this will be construed as an agreement of the above.

MAIN HARNESS #6940

GRAY = 12V+ FOR TWO MINUTES TO DEFLATE AIR SUSPENSION INITIATED BY THE AUTO LEVEL COMMAND.
PURPLE = 12V+ TO INFLATE AIR SUSPENSION INITIATED BY ALL RETRACT COMMAND.

PIN	GAGE	COLOR
1	18	GREY
2	18	PURPLE
3	18	BLACK
4		

INPUT. PARK BRAKE GND WHEN BRAKE ON
INPUT. IGNITION FROM COACH. 12V+ WHEN IGN ON.

PIN	GAGE	COLOR
1		
2	18	BLK/YELLOW
3	18	PINK

KEY PAD #3103

INPUT. 12V
INPUT. GROUND
OUTPUT. DATA
OUTPUT. DATA

PIN	GAGE	COLOR
1	18	RED
2	18	BLACK
3	18	BROWN/WHITE
4	18	GRN/WHITE

AUTO LEVEL CONTROLLER #3149A

INPUT. DATA
INPUT. DATA
OUTPUT. POWER TO KEY PAD
OUTPUT. GND TO KEY PAD
INPUT. 12V+ WHEN IGN ON
INPUT. PARK BRAKE GND. SEE NOTES
OUTPUT 12V+ (SUSPENSION INFLATE)
OUTPUT 12V+ (SUSPENSION DEFLATE)

PIN	GAGE	COLOR
1	18	BROWN/WHITE
2	18	GREEN/WHITE
3	18	RED
4	18	BLACK
5	18	PINK
6	18	BLACK/YELLOW
7	18	PURPLE
8	18	GREY
9		

INPUT 12V+ FROM PUMP (MINIMUM 10.5V)
INPUT GND FROM PUMP
OUTPUT 12V+ TO PUMP VALVE LF
OUTPUT 12V+ TO PUMP VALVE RF
OUTPUT 12V+ TO PUMP VALVE RR
OUTPUT 12V+ TO PUMP VALVE LR
OUTPUT 12V+ TO PUMP RETRACT
OUTPUT 12V+ TO PUMP EXTEND
OUTPUT 12V+ TO PUMP PRESSURE SW

PIN	GAGE	COLOR
1	12	RED
2	12	BLACK
3	18	BROWN
4	18	WHITE
5	18	YELLOW
6	18	ORANGE
7	18	GREEN
8	18	BLUE
9	18	YELLOW/BLACK

BI-ROTATIONAL PUMP #7837

HARNESS 6791BR

PIN	GAGE	COLOR
1	18	ORANGE
2	18	WHITE
3	18	BLUE
4	18	YELLOW
5	18	BROWN
6	18	GREEN
7		
8		
9	18	YELLOW/BLACK

PIN	GAGE	COLOR
1	18	ORANGE
2	14	WHITE
3	18	DARK BLUE
4	18	YELLOW
5	18	BROWN
6	18	DARK GREEN
7		
8		
9	18	YELLOW/BLACK

INPUT. 12V+ TO LEFT REAR VALVE COIL
INPUT. 12V+ TO RIGHT FRONT VALVE COIL
INPUT. 12V+ TO MOTOR EXTEND SOLENOID
INPUT. 12V+ TO RIGHT REAR VALVE COIL
INPUT. 12V+ TO LEFT FRONT VALVE COIL
INPUT. 12V+ TO MOTOR RETRACT SOLENOID

PRESSURE SW 12V+ OUTPUT

PIN	GAGE	COLOR
B	12	BLACK
A	12	RED

PIN	GAGE	COLOR
B	12	BLACK
A	12	RED

HARNESS 6572

GROUND FROM CHASSIS
12V+ YELLOW (20A FUSE)

EQUALIZER SYSTEMS
MAIN 12V POWER
INPUT. FROM PUMP
MOTOR SOLENOID
AND CHASSIS
BATTERIES.

GROUND INPUT
FROM CHASSIS
CONNECTED TO STUD
ON SIDE OF PUMP

NOTES:

THE 12V POWER SOURCE MUST NOT DROP BELOW 10.5 VOLTS MEASURED AT THE YELLOW FUSE WIRE ON THE PUMP OR THE PUMP VALVE COIL BEING ENERGIZED WITH THE METER GROUND ON THE PUMP CASE GROUND.

THE PARK BRAKE INPUT TO THE LEVEL CONTROLLER ARE GROUND INPUTS. IT IS PULLED HIGH TO 12V INTERNALLY THROUGH A RESISTOR. IT IS LOOKING FOR AN ACTIVE LOW INPUT SIGNAL. WHEN THE PARK BRAKE IS ON, IT'S SENDING A GROUND TO THE PARK BRAKE INPUT OF THE LEVEL CONTROLLER.

Equalizer

55169 COUNTY ROAD 3
ELKHART, IN 46515

#

REVISIONS

BY:

DATE:

UNLESS OTHERWISE

SPECIFIED:

TOLERANCES:

.XXX ± 0.010

.XX ± 0.010

.X ± 0.030

ANG. ± 1/2°

REMOVE ALL BURRS AND
SHARP EDGES .015 MAX

TITLE

AUTO LEVEL SCHEMATIC

USED ON:

NEWMAR-VENTANA LE & VENTANA

SIZE

SCALE

MATERIAL

A

1: 1

DRW BY:

DATE:

SJ

7/26/16

SYSTEMS

8244A-8245A-8282A-8311A-8642A-8643A-8749A

APP'D BY

DATE:

—

—

PAGE:

DWG NO.:

1 OF 1

P8244A

REV:

—

NOTICE - This drawing, including principles of design, is the property of Days Corporation, Elkhart, Indiana, with the agreement that it is not to be reproduced, copied, or loaned in any manner that may constitute a detriment directly or indirectly to Days Corporation. Acceptance of this will be construed as an agreement of the above.

6179 PUMP TO CONTROL PANEL HARNESS

CHASSIS INTERFACE CONNECTIONS

INPUT. IGNITION FROM COACH. 12V+ WHEN IGN ON.

GAGE	COLOR
18	PINK

 INPUT. PARK BRAKE GND WHEN BRAKE ON

18	BLACK/YELLOW
----	--------------

7770KS PUMP

6910 HARNESS

PIN	GAGE	COLOR
1	18	ORANGE
2	18	WHITE
3	18	BLUE
4	18	YELLOW
5	18	BROWN
6	18	GREEN
7		
8		
9	18	YELLOW/BLACK

PIN	GAGE	COLOR
1	18	ORANGE
2	18	WHITE
3	16	DARK BLUE
4	18	YELLOW
5	18	BROWN
6	16	DARK GREEN
7		
8		
9	18	YELLOW/BLACK

INPUT. 12V+ TO LEFT REAR VALVE COIL
 INPUT. 12V+ TO RIGHT FRONT VALVE COIL
 INPUT. 12V+ TO MOTOR EXTEND SOLENOID
 INPUT. 12V+ TO RIGHT REAR VALVE COIL
 INPUT. 12V+ TO LEFT FRONT VALVE COIL
 INPUT. 12V+ TO MOTOR RETRACT SOLENOID

PRESSURE SW 12V+ OUTPUT

3149ASBT SMART LEVEL CONTROL PANEL

INPUT 12V+ FROM PUMP (MINIMUM 10.5V)
 INPUT 12V+ FROM PUMP (MINIMUM 10.5V)
 INPUT GND FROM PUMP

PIN	GAGE	COLOR
1	16	RED
2	16	RED
3	16	BLACK

INPUT. PARK BRAKE GND. SEE NOTES
 INPUT. 12V+ WHEN IGN ON

PIN	GAGE	COLOR
1		
2	18	BLACK/YELLOW
3	18	PINK
4	18	YELLOW/BLACK

OUTPUT 12V+ TO PUMP RETRACT

PIN	GAGE	COLOR
5		
6	18	GREEN

OUTPUT 12V+ TO PUMP VALVE RR
 OUTPUT 12V+ TO PUMP VALVE LR
 OUTPUT 12V+ TO PUMP VALVE RF
 OUTPUT 12V+ TO PUMP VALVE LF
 OUTPUT 12V+ TO PUMP EXTEND

PIN	GAGE	COLOR
7		
8	18	YELLOW
9	18	ORANGE
10	18	WHITE
11	18	BROWN
12	18	BLUE

+5V SUPPLY
 GROUND
 SERIAL DATA
 SERIAL CLOCK

PIN	GAGE	COLOR
1	18	RED
2	18	BLACK
3	18	TAN
4	18	GRAY

OPTIONAL REMOTE
 SENSOR CABLE

PIN	GAGE	COLOR
B	16	BLACK
A	12	RED

PIN	GAGE	COLOR
B	12	BLACK
A	12	RED

6572C HARNESS

GROUND FROM CHASSIS
 12V+ YELLOW (20A FUSE)

EQUALIZER SYSTEMS
 MAIN 12V POWER
 INPUT. FROM PUMP
 MOTOR SOLENOID
 AND CHASSIS
 BATTERIES.

GROUND INPUT
 FROM CHASSIS
 CONNECTED TO STUD
 ON SIDE OF PUMP

NOTES:

THE 12V POWER SOURCE MUST NOT DROP BELOW 10.5 VOLTS MEASURED AT THE YELLOW FUSE WIRE ON THE PUMP OR THE PUMP VALVE COIL BEING ENERGIZED WITH THE METER GROUND ON THE PUMP CASE GROUND.

THE PARK BRAKE INPUT TO THE LEVEL CONTROLLER ARE GROUND INPUTS. IT IS PULLED HIGH TO 12V INTERNALLY THROUGH A RESISTOR. IT IS LOOKING FOR AN ACTIVE LOW INPUT SIGNAL. WHEN THE PARK BRAKE IS ON, IT'S SENDING A GROUND TO THE PARK BRAKE INPUT OF THE LEVEL CONTROLLER.

Equalizer

55169 COUNTY ROAD 3
 ELKHART, IN 46515

#	REVISIONS	BY:	DATE:

UNLESS OTHERWISE SPECIFIED:
 TOLERANCES:
 .XXX ± 0.010
 .XX ± 0.010
 .X ± 0.030
 ANG. ± 1/2°
 REMOVE ALL BURRS AND SHARP EDGES .015 MAX

TITLE EQ SMART LEVEL SCHEMATIC		USED ON: NEWMAR-BAY STAR & CANYON STAR	
SIZE A	SCALE 1:1	SYSTEMS 8582F-8612E	
DRW BY: SJ	DATE: 4/12/19	PART NAME: 8582F/8612E WIRING SCHEMATIC	
APP'D BY -	DATE: -	PAGE: 1 OF 1	DWG NO.: 8582F/8612E
		REV: -	

NOTICE - This drawing, including principles of design, is the property of Days Corporation, Elkhart, Indiana, with the agreement that it is not to be reproduced, copied, or loaned in any manner that may constitute a detriment directly or indirectly to Days Corporation. Acceptance of this will be construed as an agreement of the above.

6180 PUMP TO CONTROL PANEL HARNESS

GRAY = 12V+ FOR TWO MINUTES TO DEFLATE AIR SUSPENSION INITIATED BY THE AUTO LEVEL COMMAND.
PURPLE = 12V+ TO INFLATE AIR SUSPENSION INITIATED BY ALL RETRACT COMMAND.

PIN	GAGE	COLOR
1	18	GREY
2	18	PURPLE
3	18	BLACK
4		

PIN	GAGE	COLOR
1		
2	18	BLK/YELLOW
3	18	PINK

INPUT. PARK BRAKE GND WHEN BRAKE ON
INPUT. IGNITION FROM COACH. 12V+ WHEN IGN ON.

PIN	GAGE	COLOR
1	18	ORANGE
2	18	WHITE
3	18	BLUE
4	18	YELLOW
5	18	BROWN
6	18	GREEN
7		
8		
9	18	YELLOW/BLACK

PIN	GAGE	COLOR
1	18	ORANGE
2	18	WHITE
3	16	DARK BLUE
4	18	YELLOW
5	18	BROWN
6	16	DARK GREEN
7		
8		
9	18	YELLOW/BLACK

INPUT. 12V+ TO LEFT REAR VALVE COIL
INPUT. 12V+ TO RIGHT FRONT VALVE COIL
INPUT. 12V+ TO MOTOR EXTEND SOLENOID
INPUT. 12V+ TO RIGHT REAR VALVE COIL
INPUT. 12V+ TO LEFT FRONT VALVE COIL
INPUT. 12V+ TO MOTOR RETRACT SOLENOID

PRESSURE SW 12V+ OUTPUT

6910 HARNESS

7837KS PUMP

3149ASBT SMART LEVEL CONTROL PANEL

INPUT 12V+ FROM PUMP (MINIMUM 10.5V)
INPUT 12V+ FROM PUMP (MINIMUM 10.5V)
INPUT GND FROM PUMP

PIN	GAGE	COLOR
1	16	RED
2	16	RED
3	16	BLACK

OUTPUT 12V+ (SUSPENSION INFLATE)
INPUT. PARK BRAKE GND. SEE NOTES
INPUT. 12V+ WHEN IGN ON

PIN	GAGE	COLOR
1	18	PURPLE
2	18	BLACK/YELLOW
3	18	PINK
4	18	YELLOW/BLACK
5		

OUTPUT 12V+ TO PUMP RETRACT
OUTPUT 12V+ (SUSPENSION DEFLATE)
OUTPUT 12V+ TO PUMP VALVE RR
OUTPUT 12V+ TO PUMP VALVE LR
OUTPUT 12V+ TO PUMP VALVE RF
OUTPUT 12V+ TO PUMP VALVE LF
OUTPUT 12V+ TO PUMP EXTEND

PIN	GAGE	COLOR
6	18	GREEN
7	18	GREY
8	18	YELLOW
9	18	ORANGE
10	18	WHITE
11	18	BROWN
12	18	BLUE

+5V SUPPLY
GROUND
SERIAL DATA
SERIAL CLOCK

PIN	GAGE	COLOR
1	18	RED
2	18	BLACK
3	18	TAN
4	18	GRAY

OPTIONAL REMOTE SENSOR CABLE

PIN	GAGE	COLOR
B	16	BLACK
A	12	RED

PIN	GAGE	COLOR
B	12	BLACK
A	12	RED

6572C HARNESS

GROUND FROM CHASSIS
12V+ YELLOW (20A FUSE)

EQUALIZER SYSTEMS
MAIN 12V POWER
INPUT. FROM PUMP
MOTOR SOLENOID
AND CHASSIS
BATTERIES.

GROUND INPUT
FROM CHASSIS
CONNECTED TO STUD
ON SIDE OF PUMP

NOTES:

THE 12V POWER SOURCE MUST NOT DROP BELOW 10.5 VOLTS MEASURED AT THE YELLOW FUSE WIRE ON THE PUMP OR THE PUMP VALVE COIL BEING ENERGIZED WITH THE METER GROUND ON THE PUMP CASE GROUND.

THE PARK BRAKE INPUT TO THE LEVEL CONTROLLER ARE GROUND INPUTS. IT IS PULLED HIGH TO 12V INTERNALLY THROUGH A RESISTOR. IT IS LOOKING FOR AN ACTIVE LOW INPUT SIGNAL. WHEN THE PARK BRAKE IS ON, IT'S SENDING A GROUND TO THE PARK BRAKE INPUT OF THE LEVEL CONTROLLER.

Equalizer

55169 COUNTY ROAD 3
ELKHART, IN 46515

#	REVISIONS	BY:	DATE:

UNLESS OTHERWISE SPECIFIED:
TOLERANCES:
.XXX ± 0.010
.XX ± 0.010
.X ± 0.030
ANG. ± 1/2°
REMOVE ALL BURRS AND SHARP EDGES .015 MAX

TITLE EQ SMART LEVEL SCHEMATIC		USED ON: NEWMAR-ALL KOUNTRY STAR & VENTANA	
SIZE A	SCALE 1: 1	SYSTEMS 8244B-8245B-8282B-8311B-8642B-8643B-8749B-8979	
DRW BY: SJ	DATE: 4/12/19	PART NAME: EQ SMART LEVEL WIRING SCHEMATIC	
APP'D BY —	DATE: —	PAGE: 1 OF 1	DWG NO.: 8244B
		REV: —	

NOTICE - This drawing, including principles of design, is the property of Days Corporation, Elkhart, Indiana, with the agreement that it is not to be reproduced, copied, or loaned in any manner that may constitute a detriment directly or indirectly to Days Corporation. Acceptance of this will be construed as an agreement of the above.

6325 PUMP TO CONTROL PANEL HARNESS

GRAY = 12V+ FOR TWO MINUTES TO DEFLATE AIR SUSPENSION INITIATED BY THE AUTO LEVEL COMMAND.
PURPLE = 12V+ TO INFLATE AIR SUSPENSION INITIATED BY ALL RETRACT COMMAND.

PIN	GAGE	COLOR
1	18	GREY
2	18	PURPLE
3	18	BLACK
4		

PIN	GAGE	COLOR
1		
2	18	BLK/YELLOW
3	18	PINK

INPUT. PARK BRAKE GND WHEN BRAKE ON
INPUT. IGNITION FROM COACH. 12V+ WHEN IGN ON.

PIN	GAGE	COLOR
1	18	ORANGE
2	18	WHITE
3	18	BLUE
4	18	YELLOW
5	18	BROWN
6	18	GREEN
7		
8		
9	18	YELLOW/BLACK

PIN	GAGE	COLOR
1	18	ORANGE
2	18	WHITE
3	16	DARK BLUE
4	18	YELLOW
5	18	BROWN
6	16	DARK GREEN
7		
8		
9	18	YELLOW/BLACK

7948KS PUMP
6910 HARNESS
INPUT. 12V+ TO LEFT REAR VALVE COIL
INPUT. 12V+ TO RIGHT FRONT VALVE COIL
INPUT. 12V+ TO MOTOR EXTEND SOLENOID
INPUT. 12V+ TO RIGHT REAR VALVE COIL
INPUT. 12V+ TO LEFT FRONT VALVE COIL
INPUT. 12V+ TO MOTOR RETRACT SOLENOID

PRESSURE SW 12V+ OUTPUT

3149ASBT SMART LEVEL CONTROL PANEL

INPUT 12V+ FROM PUMP (MINIMUM 10.5V)
INPUT 12V+ FROM PUMP (MINIMUM 10.5V)
INPUT GND FROM PUMP

PIN	GAGE	COLOR
1	16	RED
2	16	RED
3	16	BLACK

OUTPUT 12V+ (SUSPENSION INFLATE)
INPUT. PARK BRAKE GND. SEE NOTES
INPUT. 12V+ WHEN IGN ON

PIN	GAGE	COLOR
1	18	PURPLE
2	18	BLACK/YELLOW
3	18	PINK
4	18	YELLOW/BLACK
5		

OUTPUT 12V+ TO PUMP RETRACT
OUTPUT 12V+ (SUSPENSION DEFLATE)
OUTPUT 12V+ TO PUMP VALVE RR
OUTPUT 12V+ TO PUMP VALVE LR
OUTPUT 12V+ TO PUMP VALVE RF
OUTPUT 12V+ TO PUMP VALVE LF
OUTPUT 12V+ TO PUMP EXTEND

PIN	GAGE	COLOR
6	18	GREEN
7	18	GREY
8	18	YELLOW
9	18	ORANGE
10	18	WHITE
11	18	BROWN
12	18	BLUE

+5V SUPPLY
GROUND
SERIAL DATA
SERIAL CLOCK

PIN	GAGE	COLOR
1	18	RED
2	18	BLACK
3	18	TAN
4	18	GRAY

OPTIONAL REMOTE SENSOR CABLE

PIN	GAGE	COLOR
B	16	BLACK
A	12	RED

PIN	GAGE	COLOR
B	12	BLACK
A	12	RED

6572C HARNESS

GROUND FROM CHASSIS
12V+ YELLOW (20A FUSE)

EQUALIZER SYSTEMS
MAIN 12V POWER
INPUT. FROM PUMP
MOTOR SOLENOID
AND CHASSIS
BATTERIES.

GROUND INPUT
FROM CHASSIS
CONNECTED TO STUD
ON SIDE OF PUMP

NOTES:

THE 12V POWER SOURCE MUST NOT DROP BELOW 10.5 VOLTS MEASURED AT THE YELLOW FUSE WIRE ON THE PUMP OR THE PUMP VALVE COIL BEING ENERGIZED WITH THE METER GROUND ON THE PUMP CASE GROUND.

THE PARK BRAKE INPUT TO THE LEVEL CONTROLLER ARE GROUND INPUTS. IT IS PULLED HIGH TO 12V INTERNALLY THROUGH A RESISTOR. IT IS LOOKING FOR AN ACTIVE LOW INPUT SIGNAL. WHEN THE PARK BRAKE IS ON, IT'S SENDING A GROUND TO THE PARK BRAKE INPUT OF THE LEVEL CONTROLLER.

Equalizer

55169 COUNTY ROAD 3
ELKHART, IN 46515

#	REVISIONS	BY:	DATE:

UNLESS OTHERWISE SPECIFIED:
TOLERANCES:
.XXX ± 0.010
.XX ± 0.010
.X ± 0.030
ANG. ± 1/2°
REMOVE ALL BURRS AND SHARP EDGES .015 MAX

TITLE EQ SMART LEVEL SCHEMATIC		USED ON: NEWMAR-CANYON STAR DIESEL	
SIZE A	SCALE 1: 1	SYSTEMS 8846	
DRW BY: SJ	DATE: 4/12/19	PART NAME: EQ SMART LEVEL WIRING SCHEMATIC	
APP'D BY —	DATE: —	PAGE: 1 OF 1	DWG NO.: 8846
			REV: —

NOTICE - This drawing, including principles of design, is the property of Days Corporation, Elkhart, Indiana, with the agreement that it is not to be reproduced, copied, or loaned in any manner that may constitute a detriment directly or indirectly to Days Corporation. Acceptance of this will be construed as an agreement of the above.

Purge Instructions for Newmar Systems

This procedure must be performed with the initial installation & running of the hydraulic system, and following installation of the pump assembly and jacks. This procedure applies only to the MH-4 systems that are equipped with the Bi-rotational pump. All electrical and hose connections must be completed before the purging process. **You Must Follow this Procedure Strictly. Any Deviation from the Process will cause the purging process to become difficult and time consuming.**

- 1) Fill the reservoir with Dexron ATF.
- 2) Attach a hose with coupler to the quick disconnect fitting on the end of the manifold. Place the end of the hose into a clean container. During the initial run of the pump this hose will have air coming out of it with the possibility of a little residual fluid from the retract side of the system.
- 3) Run the pump to extend the jacks. Maintain the fluid level in the reservoir $\frac{1}{4}$ to $\frac{1}{2}$ full. Do not allow the reservoir to run empty. If jack(s) will not fully extend, crack loose the upper hose(s) at the jack(s) and run the pump to extend until air is expelled. **Use Caution-hydraulic fluid will be under high pressure.** Retighten the hoses and complete the extensions of the jacks. Maintain the fluid level as described above.
- 4) Remove the hose and coupler from the quick disconnect fitting attached to the manifold.
- 5) Run the pump to retract the jacks. Maintain the fluid level as above. Do not fill the reservoir to full until after the legs are fully retracted.
- 6) **IMPORTANT**-If fluid in reservoir appears to be aerated (foaming), allow unit to rest until foam dissipates (approx. 5-10 minutes).
- 7) Fully extend and retract jacks a minimum of 3 times. Allow any foam in the reservoir to dissipate before each run. Keep the fluid level above $\frac{1}{4}$ to $\frac{1}{2}$ at all times.
- 8) After final runs, with jacks fully retracted, add fluid up to the fill line.

Additional Notes Regarding Purging

- The reservoir fluid level will be the greatest when all jacks are fully retracted: the fluid level will be lowest when all jacks are fully extended.
- Never allow the reservoir to go empty. Maintain the fluid level at least $\frac{3}{4}$ full when the jacks are retracted.
- Being patient helps. It does no good to run the pump and try to move the jacks when the reservoir is full of foam. Pumping foam will only reintroduce air into the system and will prolong the process unnecessarily.
- We want the air out. Allowing the air to dissipate through the reservoir and maintaining the reservoir fluid level will get things working faster.