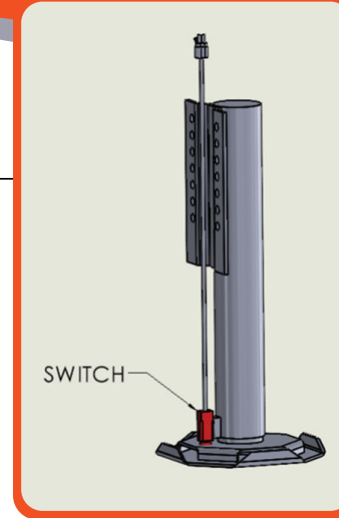


JACK REPLACEMENT CYLINDER & FOOT IDENTIFICATION CHART

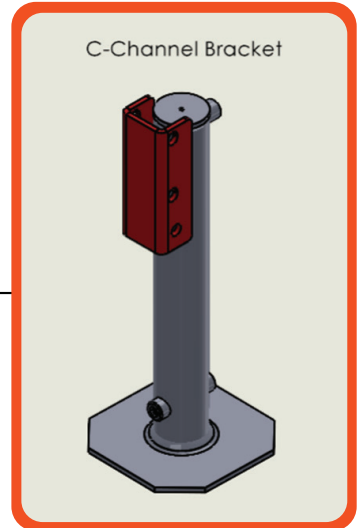
**IS THERE A SWITCH
ON THE LEG?**

YES - CLICK HERE



C-CHANNEL

CLICK to page 3



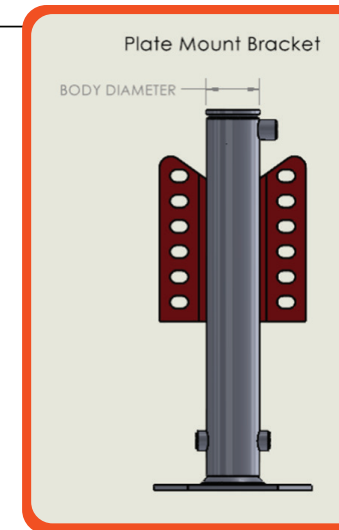
NO

PLATE - CHOOSE BODY DIAMETER

2 3/8" CLICK to page 4

2 7/8" CLICK to page 5

3 3/8" CLICK to page 6

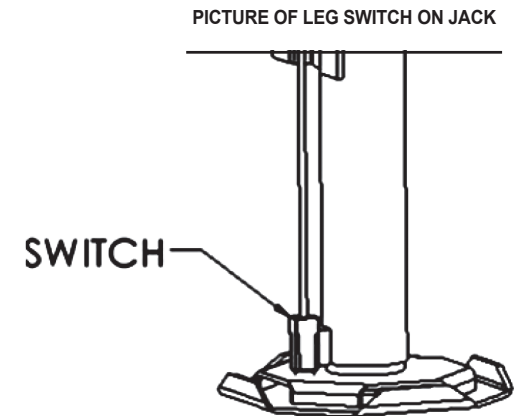
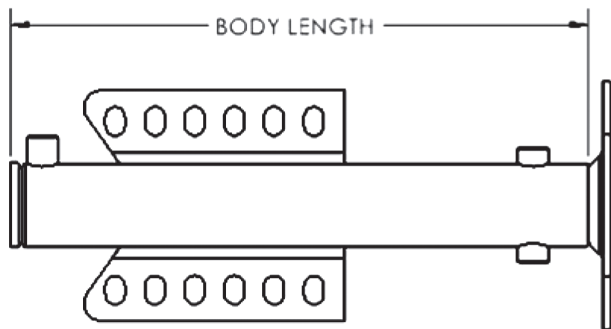


CYLINDER & FOOT IDENTIFICATION CHART

LEGS WITH SWITCHES

EQ SYSTEMS PART #	DESCRIPTION	BODY LENGTH	FOOT WIDTH (DIAMETER)	REPLACEMENT FOOT PART #	REPLACEMENT CYLINDER	REPLACEMENT NUT/BOLT	COMMENTS
7064	SL 12 JACK	16"	8"	7819	1365	1383	OBSOLETE- REPLACEMENT PART 7819 IS NOW A 10X10" FOOT PER EQ SYSTEMS
7066	SL 14 JACK	18 1/8"	10"	7819	1113	1383	OBSOLETE- REPLACE WITH JACK 7114
7114	SL16 JACK	20 1/8"	10"	7819	1592	1383	
7234	SL 18 JACK	22 1/8"	11.5"	7820	1601	1383	
7040	HERITAGE JACK ASSEMBLY	22 1/2"	12"			1383	OBSOLETE- CONTACT EQ SYSTEMS FOR SUGGESTIONS

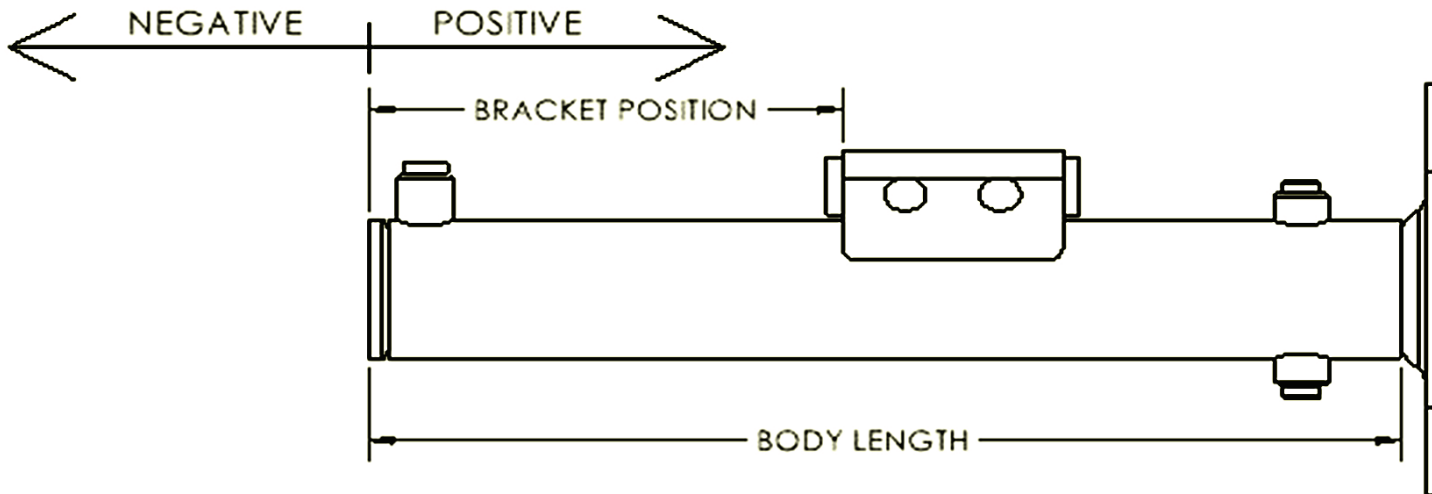
YOUR FOOTPAD COULD BE AN OCTAGON OR ROUND. THE FOOT SIZE WILL EITHER BE THE WIDTH ACROSS THE FLATS OR THE DIAMETER OF THE FOOT.



CYLINDER & FOOT IDENTIFICATION CHART

C-CHANNEL BRACKET

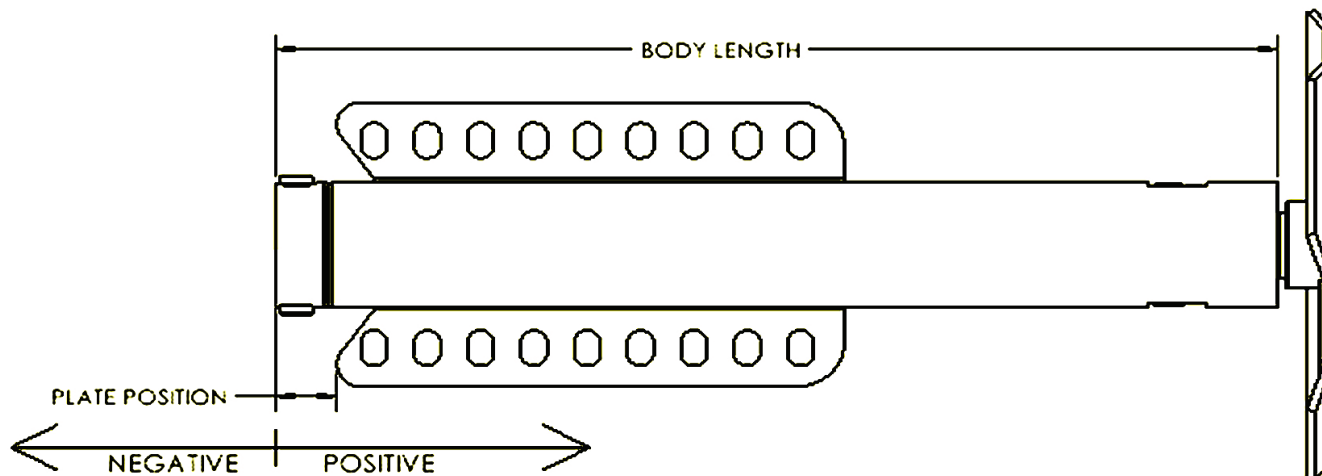
EQ SYSTEMS PART #	DESCRIPTION	BODY LENGTH	BRACKET POSITION	REPLACEMENT FOOT PART #	REPLACEMENT CYLINDER	REPLACEMENT NUT/BOLT	COMMENTS
70348	SL 11 JACK	14 3/8"	7 1/4"	70385	4059EQ	3203	
70437	SL 12 JACK	15 3/8"	7 1/4"	70385	4368EQ	3203	
70381	SL 13 JACK	16 3/8"	7 1/4"	70385	4109EQ	3203	
70309EQ/70310EQ	SL 13 JACK	16 3/8"	-1/2"	70385	3963EQ	3203	IDENTICAL CYLINDERS WITH A MOUNTING BRACKET ON OPPOSITE SIDES
70269/70270	SL 13 JACK	16 3/8"	-1 1/4"	70385	3907EQ	3203	IDENTICAL CYLINDERS WITH A MOUNTING BRACKET ON OPPOSITE SIDES



CYLINDER & FOOT IDENTIFICATION CHART

2³/₈" BODY PLATE MOUNT

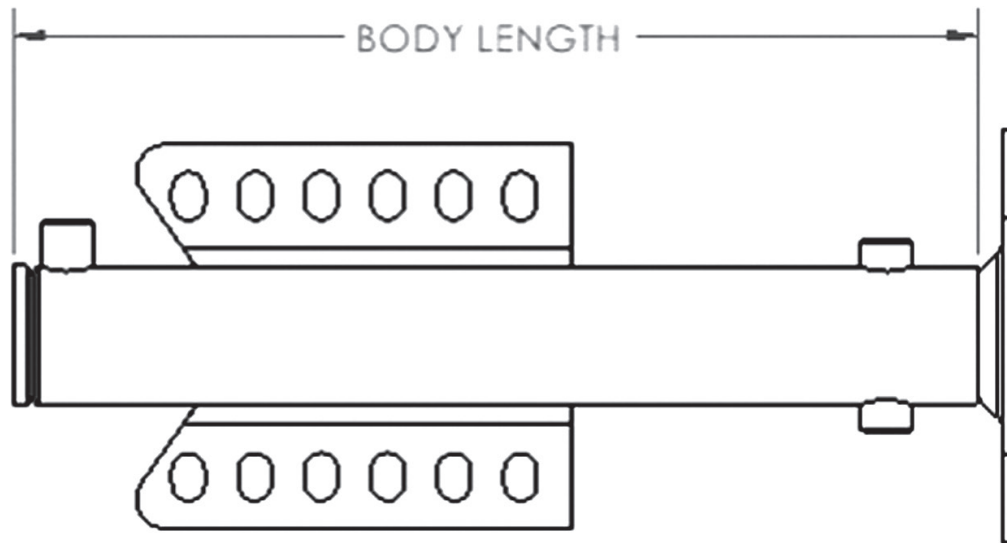
EQ SYSTEMS PART #	DESCRIPTION	BODY LENGTH	PLATE POSITION	REPLACEMENT FOOT PART #	REPLACEMENT CYLINDER	REPLACEMENT NUT/BOLT	COMMENTS
7841	SL 11 JACK	15 3/8"	0"	70385	3141	3203	
7842	SL 13 JACK	17 3/8"	0"	70385		1383	OBSOLETE- CONTACT EQ SYSTEMS FOR SUGGESTIONS
7842	SL 13 JACK	16 3/8"	-7/8"	70385	3142	3203	
7842A	SL 13 JACK	16 3/8"	2"	70385	3142A	3203	
7842REV	SL 13 JACK	16 3/8"	2"	70445	3142A	3203	THIS IS THE SAME AS THE 7842A WITH A 10X10" FOOT
7636	SL 15 JACK	19 3/8"	0"	7818	2943	1383	
7636A	SL 15 JACK	19 1/4"	-5/8"	70445	2943A	3203	



CYLINDER & FOOT IDENTIFICATION CHART

2^{7/8}" BODY PLATE MOUNT

EQ SYSTEMS PART #	DESCRIPTION	BODY LENGTH	REPLACEMENT FOOT PART #	REPLACEMENT CYLINDER	REPLACEMENT NUT/BOLT	COMMENTS
7614	SL 14	18 1/8"	7849	1113	1383	OBSOLETE- CONTACT EQ SYSTEMS FOR SUGGESTIONS
7214	SL 16	20 1/8"	7849	1592	1383	
70073	SL 24	28 3/8"	7849	3377	1383	OBSOLETE- REPLACE WITH 70217



CYLINDER & FOOT IDENTIFICATION CHART

3^{3/8}" BODY PLATE MOUNT

EQ SYSTEMS PART #	DESCRIPTION	BODY LENGTH	PLATE POSITION	ROD DIAMETER	REPLACEMENT FOOT PART #	REPLACEMENT CYLINDER	REPLACEMENT NUT/BOLT
7134	SL 18 JACK	22 3/4"	1"	2"	7821	1601	1383
70217	SL 24 JACK	29"	14 1/2"	1 1/2"	70299	3144A	1383
7923	SL 24 JACK	29"	8 1/2"	2"	7821	3184	1383
7848	SL 24 JACK	29"	14 1/2"	2"	7821	3144	1383

