



1-800-846-9659
Eqsystems.us

MERCEDES FRONT BRACKET REPLACEMENT INSTRUCTIONS

June 2022

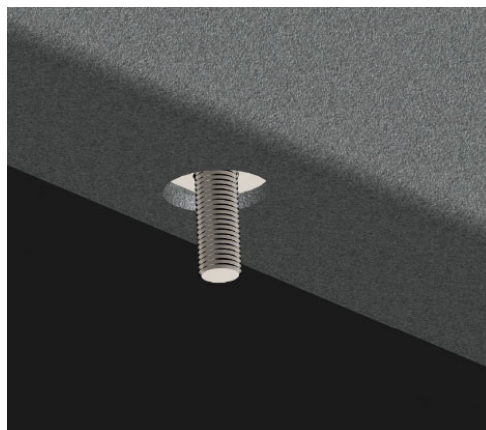
3723R, 3724R, 3729R, 3800R Bracket Installation

Required for Installation:

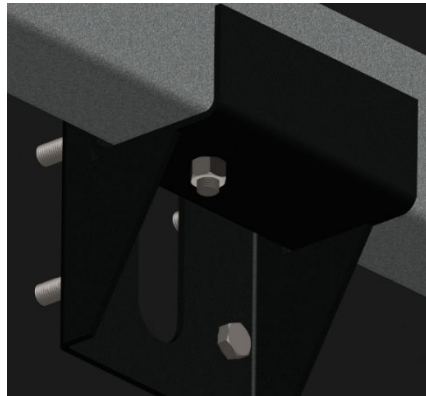
- Replacement Bracket (3723R, 3724R, 3729R, or 3800R)
- ½" drive impact gun
- ½" drive X ¾" Socket

Process

1. Remove the damaged bracket. You will need to remove the bolt and pry the bracket off because the flanges of the box bolt will still be flared. Attempt to do this with minimum damage to the frame.
2. Insert the new bolt welded to a small steel piece (part # 4119). You should be able to angle the piece to insert the steel into the frame leaving the bolt sticking out of the frame. It should look like this:



3. Position the Bracket by sliding it over the frame with the bolt going through the hole. Then hand tighten the Nut onto the bolt to keep the bracket from falling. It should now look like this:



4. Use the impact gun and socket to tighten the nut and secure the bracket into place. When tight you should not be able to move the bracket.
5. If the passenger side and driver side are both damaged. Repeat steps 1-4 for the other bracket.
6. Reattach the jack leg to your new bracket at the same height it was installed previously.
7. Reinstall the cross tie across between the two jacks.

Notes

- When removing the damaged bracket, the nut of the box bolt will still be applying pressure outward on the flanges. To remove this pressure, loosen the bolt halfway and then hit it with a hammer until you feel the bolt come loose. You should then be able to remove the bolt the rest of the way and it will help the bracket release.
- The frame is not a uniform width, so these brackets have spacers welded inside of the C-channel to match the frame. They will only go on in the correct orientation and on the correct side.
- When the cross tie is installed the jack legs should be close to vertical. If they are angled, it will cause more stress on the legs as they try to lift and can damage both the jack leg and the bracket. If there is a large angle contact EQ, it may be possible to extend the cross tie, or we may need to send a new one.

