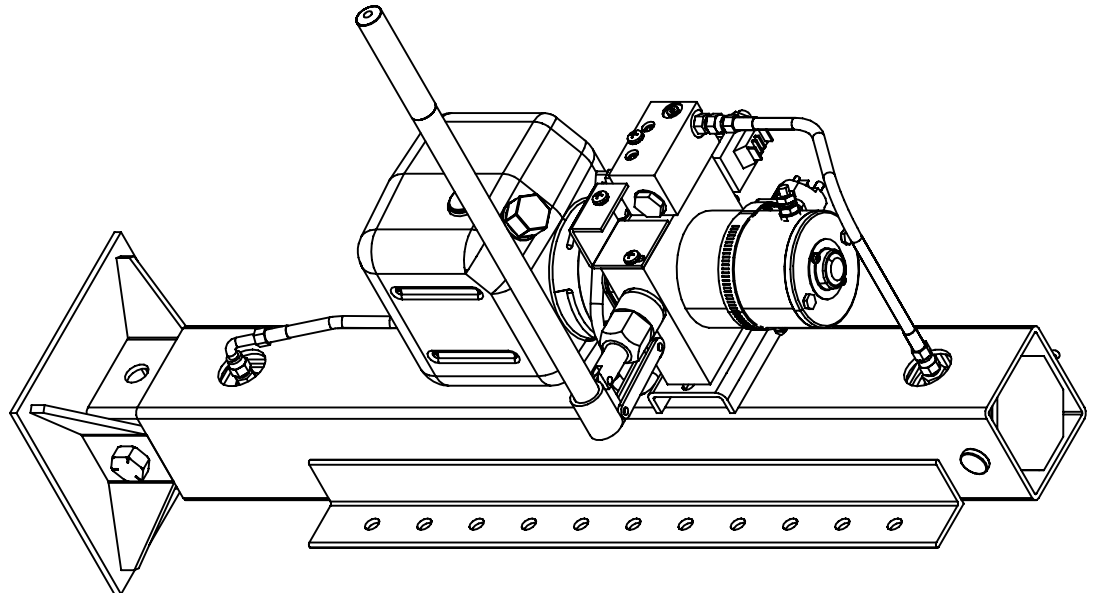
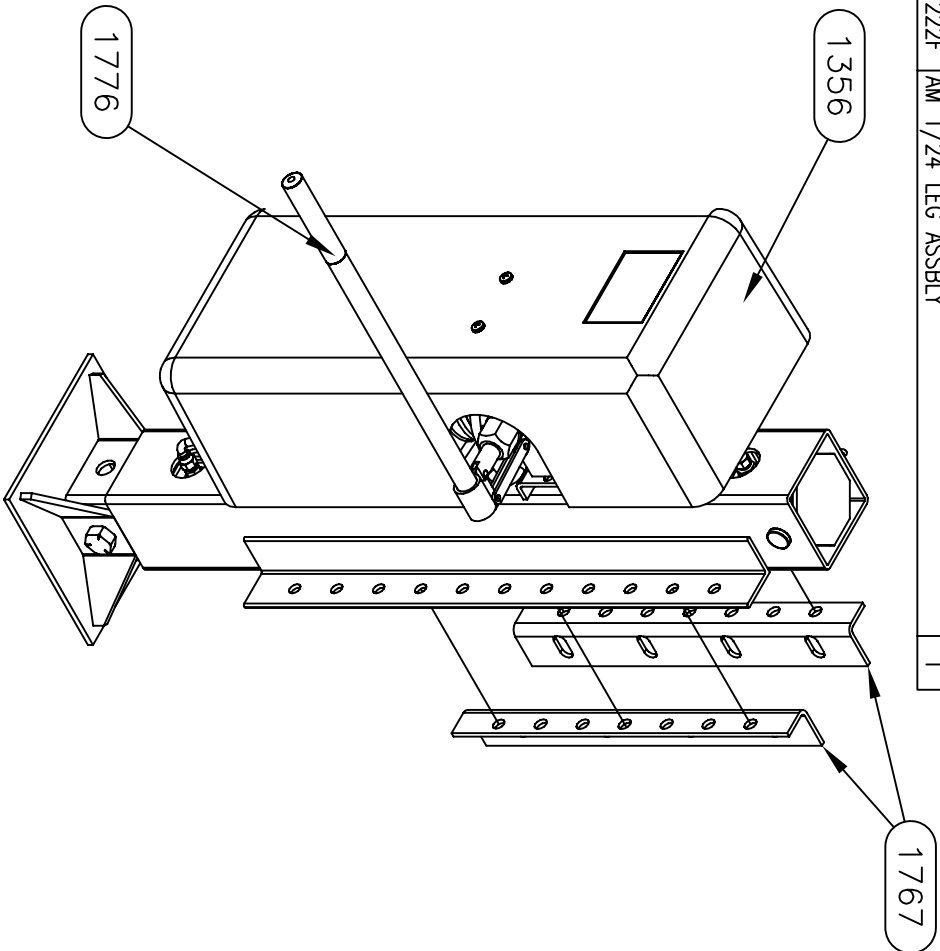


8222F PARTS LIST

PART#	DESCRIPTION	QUAN
1356	COVER-AM24F	1
1767	BRACKET-UNIVERSAL ANGLE MOUNT	2
1776	HANDLE-FOR HAND PUMP	1
6526	HARNES, CM/AM SINGLE SWT AND HRN 10'	1
7136-PH	MTE SINGLE FUNCTION PUMP ASSBLY	1
7222F	AM 1/24 LEG ASSBLY	1



Warranty authorization must come directly from Equalizer Systems. (800) 846-9659.

SHOWN WITHOUT COVER

Equalizer 55169 COUNTY ROAD 3
ELKHART, IN 46515

#	REVISIONS	BY:	DATE:

UNLESS OTHERWISE SPECIFIED:
TOLERANCES:
XXX ± 0.010
XX ± 0.030
X ± 0.050
ANG. ± 1/2°
REMOVE ALL BURRS AND SHARP EDGES .015 MAX

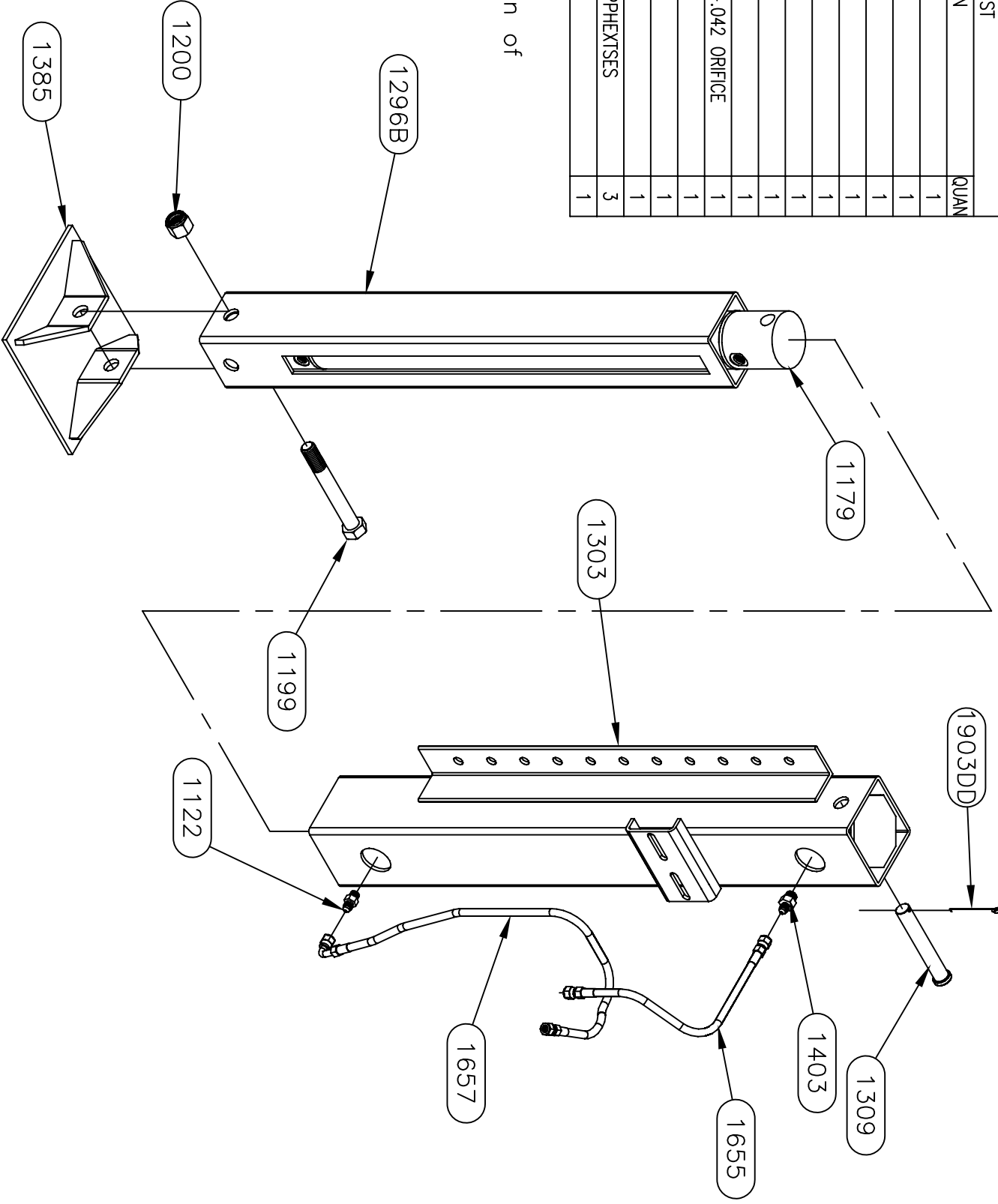
NOTICE - This drawing, including principles of design, is the property of Days Corporation, Elkhart, Indiana, with the agreement that it is not to be reproduced, copied, or loaned in any manner that may constitute a detriment directly or indirectly to Days Corporation. Acceptance of this will be construed as an agreement of the above.

TITLE	USED ON:
AM 1/24F ASSEMBLY	TOWABLES
SIZE SCALE MATERIAL	NOTED
DRW BY: DATE:	PART NAME:
SU 6/11/12	AM 1/24 F
APP'D BY DATE:	PAGE: 1 OF 5
	DWG NO.: P8222F
	REV: -

7222F PARTS LIST

PART#	DESCRIPTION	QUAN
1122	FITTING-#4 OR MALE X #4 JIC	1
1179	CYLINDER-2 1/2 X 24	1
1199	BOLT-3/4 X 5 1/2 HHCS GR5	1
1200	NUT-3/4 NC HEX NYLOCK	1
1296B	TUBE-CM 24 INNER	1
1303	TUBE-AM 24 OUTER	1
1309	PIN-3/4 X 4 1/2 CLEVIS	1
1385	FOOT-CM HYDRA	1
1403	FITTING-RESTRICTOR #6 X #4 -.042 ORIFICE	1
1655	HOSE-AM UPPER	1
1657	HOSE-AM 24 LOWER	1
1903DD	PIN-5/32 X 2 1/2 COTTER	1
1912DD	SCREW-1/4-20 X 5/8 18-8 PPHXTISES	3
2136	BRACKET-GOPHER III COVER	1

Note:
See sheet 3 for location of
1912DD and 2136



Equalizer

55169 COUNTRY ROAD 3
ELKHART, IN 46515

#

REVISIONS

BY:

DATE:

UNLESS OTHERWISE SPECIFIED:
TOLERANCES:
XXX ± 0.010
XX ± 0.030
X ± 1/2"
REMOVE ALL BURRS AND SHARP EDGES .015 MAX

TITLE

AM 1/24F ASSEMBLY

USED ON:
TOWABLES

SIZE

SCALE MATERIAL

NOTED

DRW BY:

DATE: 6/11/12

PART NAME: AM 1/24 F

NOTICE - This drawing, including principles of design, is the property of Days Corporation, Elkhart, Indiana, with the agreement that it is not to be reproduced, copied, or loaned in any manner that may constitute a detriment directly or indirectly to Days Corporation. Acceptance of this will be construed as an agreement of the above.

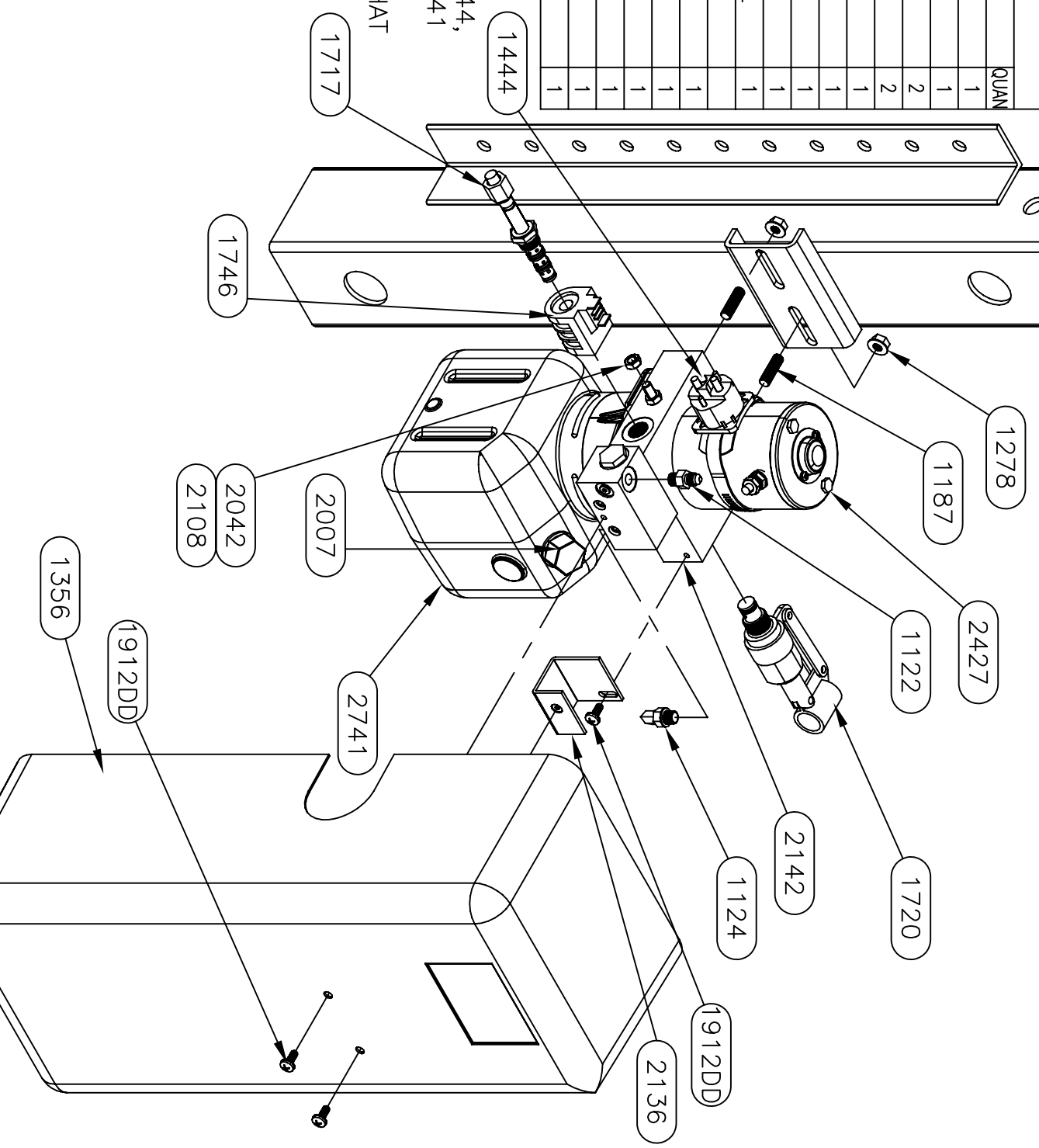
#	REVISIONS	BY:	DATE:

AP'D	BY	DATE:	PAGE:	DWG NO.:	REV:
			2 OF 5	P82222F	

7136-PH PARTS LIST

PART#	DESCRIPTION	QUAN
1122	FITTING-#4 OR MALE X #4 JIC	1
1124	FITTING-#4 JIC X #4 OR MALE 90	1
1187	SCREW-3/8-16 X 1 1/4 CUP PT SSS	2
1278	NUT-3/8 FLANGE	2
1720	VALVE-HAND PUMP #10 CAVITY	1
2042	NUT-5/16-18 HEX ZINC	1
2108	WASHER-5/16 LOCK	1
2142	PUMP-SINGLE FUNCTION MTE 3.7 G4	1
6531	HARNES, SNG FUNC PUMP CONN 12" PIGTAIL	1
1444	SOLENOID-HD PLATED	1
1717	VALVE-DIRECTIONAL #8 MANUAL OVERRIDE	1
1746	COIL-#8 10 VOLT	1
2007	CAP-MTE BREATHER	1
2427	MOTOR-MTE 3.7	1
2741	RESERVOIR-5 QT.	1

NOTE: 6531 IS NOT SHOWN. 1444, 1717, 1746, 2007, 2427, & 2741 ARE PART OF THE 2142 PUMP. THESE ARE INDIVIDUAL PARTS THAT ARE AVAILABLE TO PURCHASE.



Equalizer

55169 COUNTRY ROAD 3
ELKHART, IN 46515

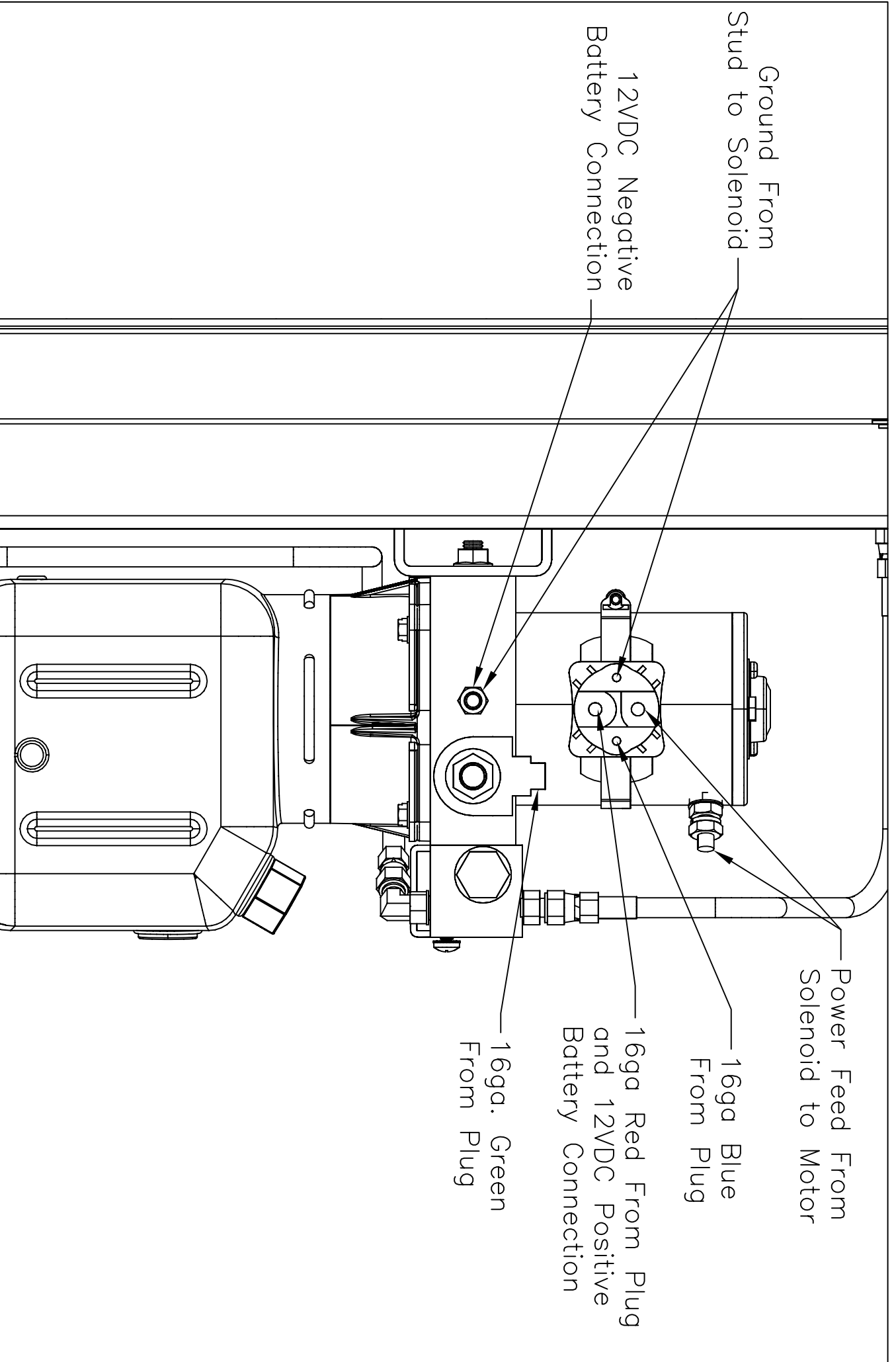
REVISIONS

BY: DATE:

UNLESS OTHERWISE SPECIFIED:
TOLERANCES:
XXX ± 0.010
XX ± 0.030
X ± 1/2"
ANG. ± 1/2"
REMOVE ALL BURRS AND SHARP EDGES .015 MAX

TITLE AM 1/24F ASSEMBLY
SIZE SCALE MATERIAL
A 1:1 AS
DRAWN BY: DATE: 6/11/12
SU APP'D BY DATE:
USED ON: TOWABLES
PART NAME: AM 1/24 F
PAGE: 3 OF 5
DWG NO.: P82222F
REV: -

NOTICE - This drawing, including principles of design, is the property of Days Corporation, Elkhart, Indiana, with the agreement that it is not to be reproduced, copied, or loaned in any manner that may constitute a detriment directly or indirectly to Days Corporation. Acceptance of this will be construed as an agreement of the above.



Equalizer

55169 COUNTRY ROAD 3
ELKHART, IN 46515

NOTICE - This drawing, including principles of design, is the property of Days Corporation, Elkhart, Indiana, with the agreement that it is not to be reproduced, copied, or loaned in any manner that may constitute a detriment directly or indirectly to Days Corporation. Acceptance of this will be construed as an agreement of the above.

#

REVISIONS

BY: DATE:

UNLESS OTHERWISE SPECIFIED:
TOLERANCES:
XXX ± 0.010
XX ± 0.010
X ± 0.030
ANG. ± 1/2°
REMOVE ALL BURRS AND SHARP EDGES .015 MAX

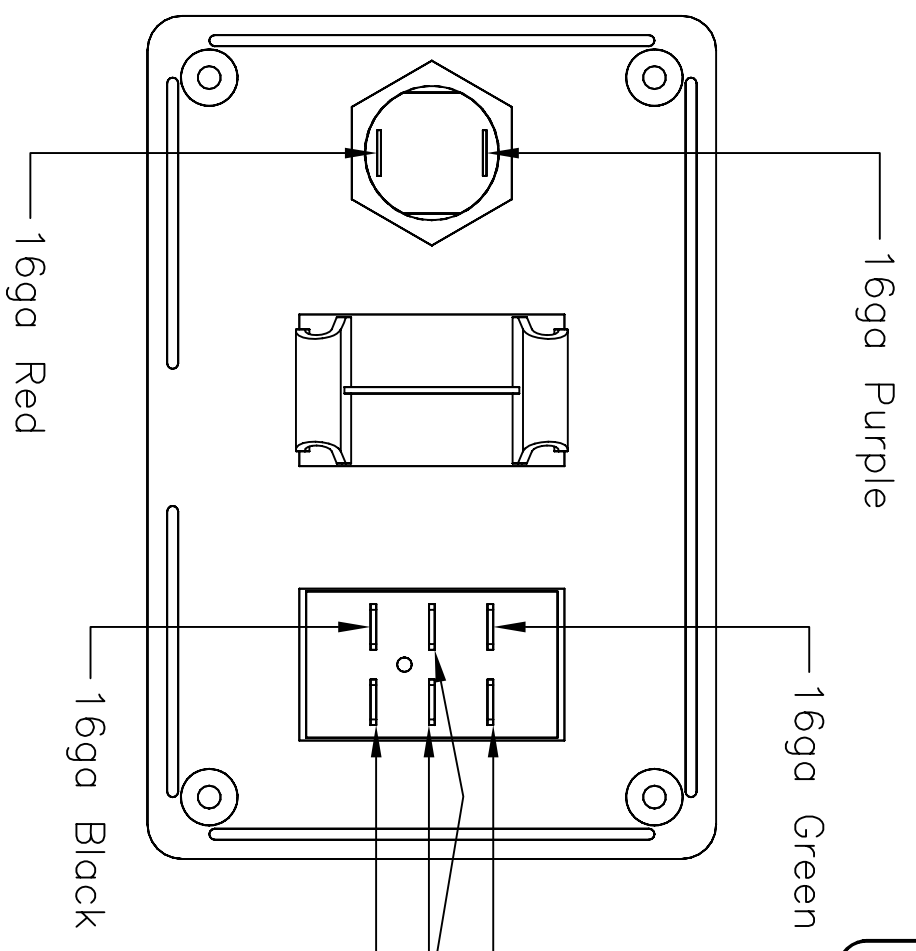
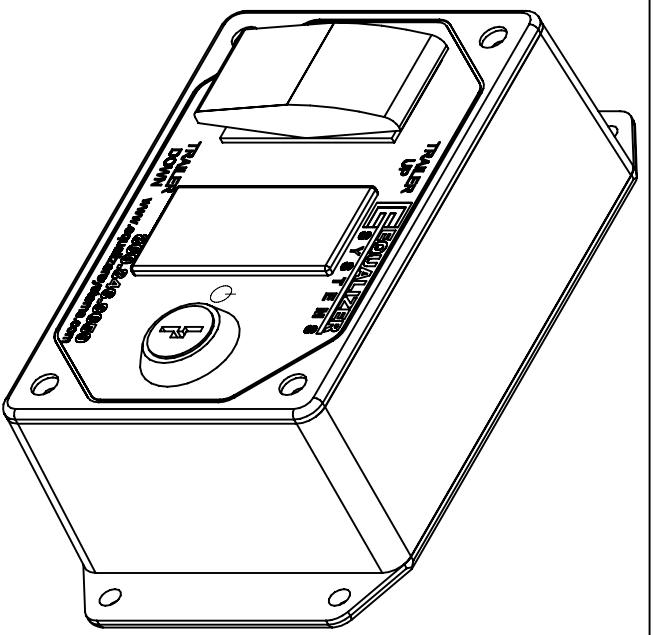
TITLE AM 1/24F ASSEMBLY USED ON: TOWABLES

SIZE SCALE MATERIAL A 1:1 AS NOTED

DRW BY: DATE: 6/11/12 PART NAME: AM 1/24 F

SU APP'D BY DATE: PAGE: 4 OF 5 DWG NO.: P8222F REV: -

6526 SWITCH GEAR INTERNAL WIRING



16ga Purple

16ga Green

16ga Blue

16ga Purple

16ga Blue

16ga Red

16ga Black

Equalizer

55169 COUNTRY ROAD 3
ELKHART, IN 46515

#

REVISIONS

BY:

DATE:

UNLESS OTHERWISE SPECIFIED:
TOLERANCES:
XXX ± 0.010
XX ± 0.010
X ± 0.030
ANG. ± 1/2°
REMOVE ALL BURRS AND SHARP EDGES .015 MAX

TITLE

AM 1/24F ASSEMBLY

USED ON:
TOWABLES

SIZE

A 1:1

NOTED

SCALE

MATERIAL

PART NAME:
AM 1/24 F

DRW BY:

SU

PAGE: 5 OF 5
DWG NO.: P8222F

DATE:

6/11/12

REV:

NOTICE - This drawing, including principles of design, is the property of Days Corporation, Elkhart, Indiana, with the agreement that it is not to be reproduced, copied, or loaned in any manner that may constitute a detriment directly or indirectly to Days Corporation. Acceptance of this will be construed as an agreement of the above.