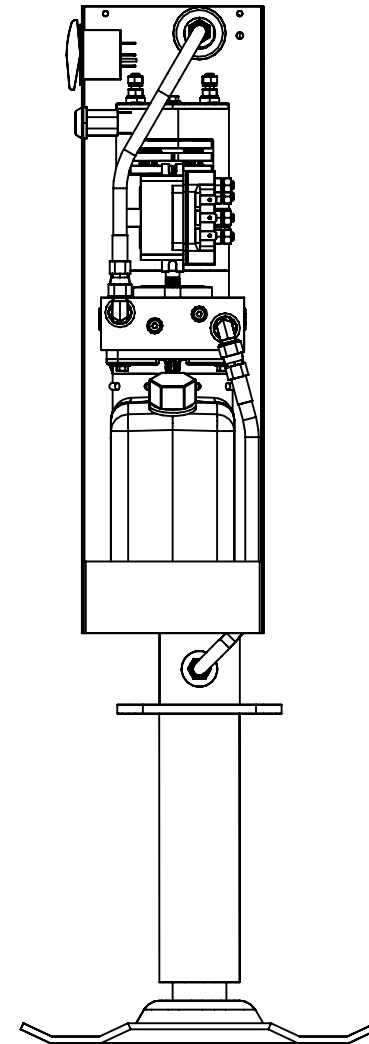
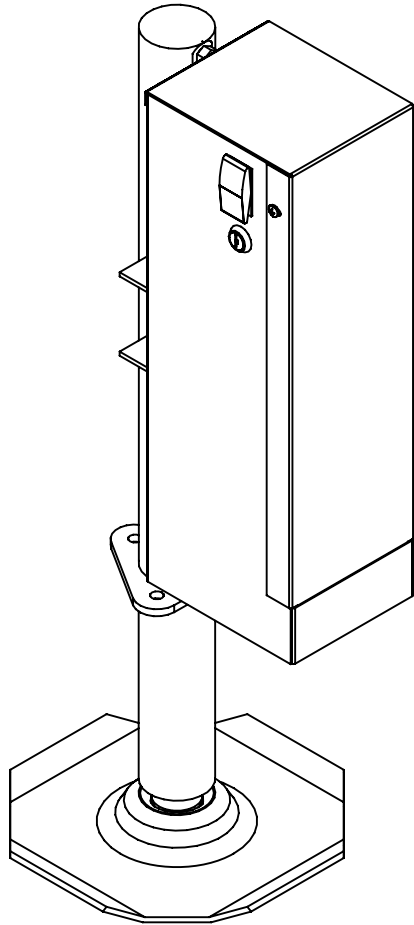


8065M PARTS LIST

PART#	DESCRIPTION	QUAN
7108TJM	PUMP ASSBLY TJ-MINI BI-ROT	1
7151M	TJ LEG ASSBLY-MINI BI-ROT	1
7165M	TJ LEG ACCESSORIES-MINI BI-ROT	1



Warranty authorization must come directly from Equalizer Systems. (800) 846-9659.

SHOWN WITHOUT COVER

Equalizer

55169 COUNTY ROAD 3
ELKHART, IN 46515

#	REVISIONS	BY:	DATE:

UNLESS OTHERWISE SPECIFIED:
TOLERANCES:
.XXX ± 0.010
.XX ± 0.010
.X ± 0.030
ANG. ± 1/2"
REMOVE ALL BURRS AND SHARP EDGES .015 MAX

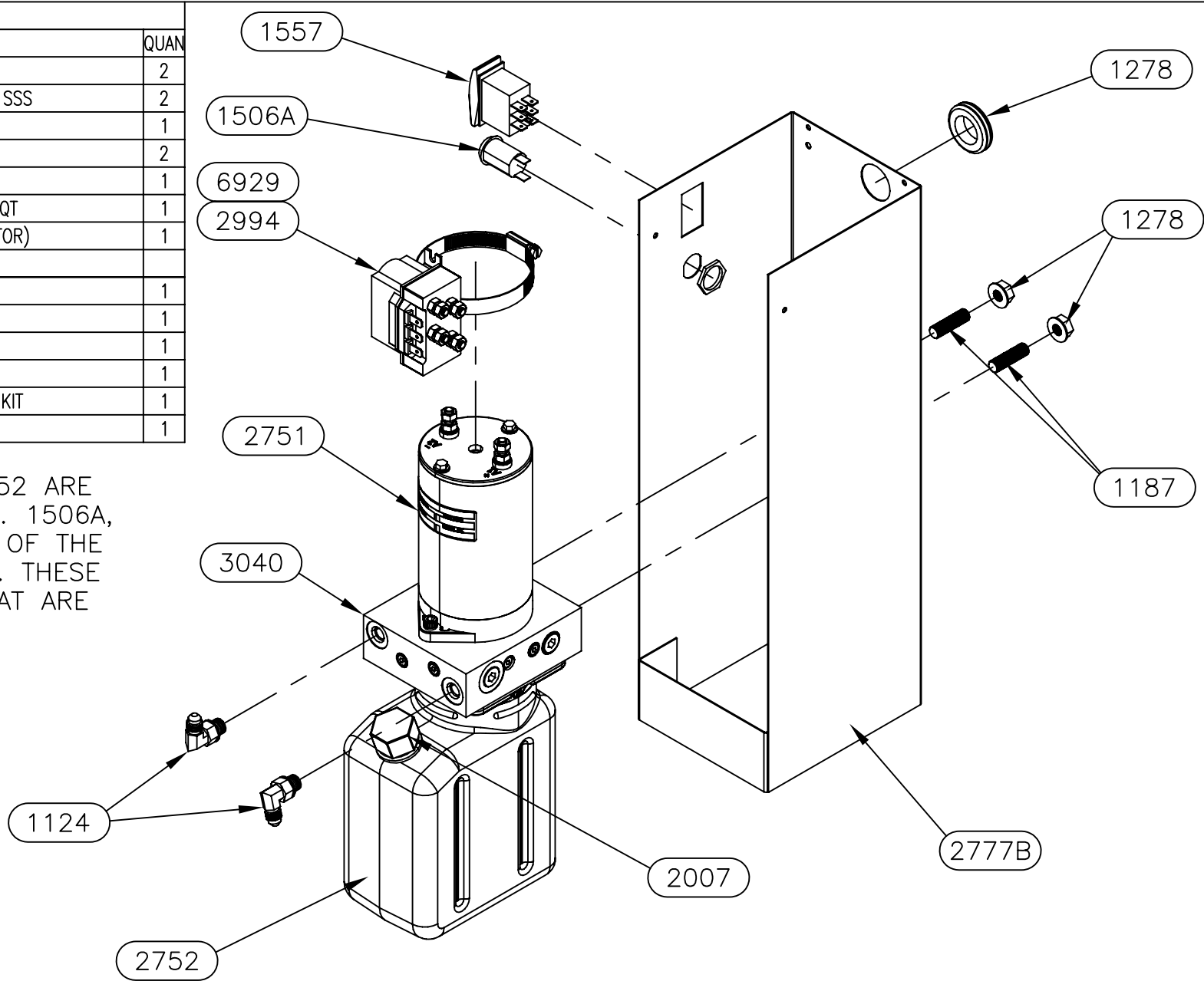
TITLE	USED ON:
TONGUE JACK ASSEMBLY	TOWABLES
SIZE SCALE MATERIAL	
A 1: 1	
DRW BY: DATE:	PART NAME:
SCJ 5/17/12	TJ BI ROT 3"
APP'D BY DATE:	PAGE: DWG NO.: REV:
- -	1 OF 4 P8065M -

NOTICE - This drawing, including principles of design, is the property of Days Corporation, Elkhart, Indiana, with the agreement that it is not to be reproduced, copied, or loaned in any manner that may constitute a detriment directly or indirectly to Days Corporation. Acceptance of this will be construed as an agreement of the above.

7108TJM PARTS LIST

PART#	DESCRIPTION	QUAN
1124	FITTING-#4 JIC X #4 OR MALE 90	2
1187	SCREW-3/8-16 X 1 1/4 CUP PT SSS	2
1202	GROMMET	1
1278	NUT-3/8 FLANGE	2
2777B	COVER-TJ-METAL BOTTOM	1
3040	PUMP-MTE-BR-3" MOTOR-101-1 QT	1
6929	HARNESS, PUMP 3040 TJ (CONTACTOR)	1
1506A	SWITCH-KEYED SWITCH (SPADE)	1
1557	SWITCH-DPDT ROCKER ON OFF ON	1
2007	CAP-MTE BREATHER	1
2751	MOTOR-MTE 3" BIROT	1
2752	RESERVOIR-MTE 100 SERIES 1 QT KIT	1
2994	CONTACTOR-REVERSING	1

NOTE: 2007, 2751, & 2752 ARE PART OF THE 3040 PUMP. 1506A, 1557, & 2994 ARE PART OF THE 6929 HARNESS ASSEMBLY. THESE ARE INDIVIDUAL PARTS THAT ARE AVAILABLE TO PURCHASE.



Equalizer

55169 COUNTY ROAD 3
ELKHART, IN 46515

#	REVISIONS	BY:	DATE:

UNLESS OTHERWISE SPECIFIED:
TOLERANCES:
.XXX ± 0.010
.XX ± 0.010
.X ± 0.030
ANG. ± 1/2"
REMOVE ALL BURRS AND SHARP EDGES .015 MAX

TITLE		USED ON:	
TONGUE JACK ASSEMBLY		TOWABLES	
SIZE	SCALE	MATERIAL	
A	1:1		
DRW BY:	DATE:	PART NAME:	
SCJ	5/17/12	TJ BI ROT 3"	
APP'D BY:	DATE:	PAGE:	DWG NO.:
		2 OF 4	P8065M
			REV:

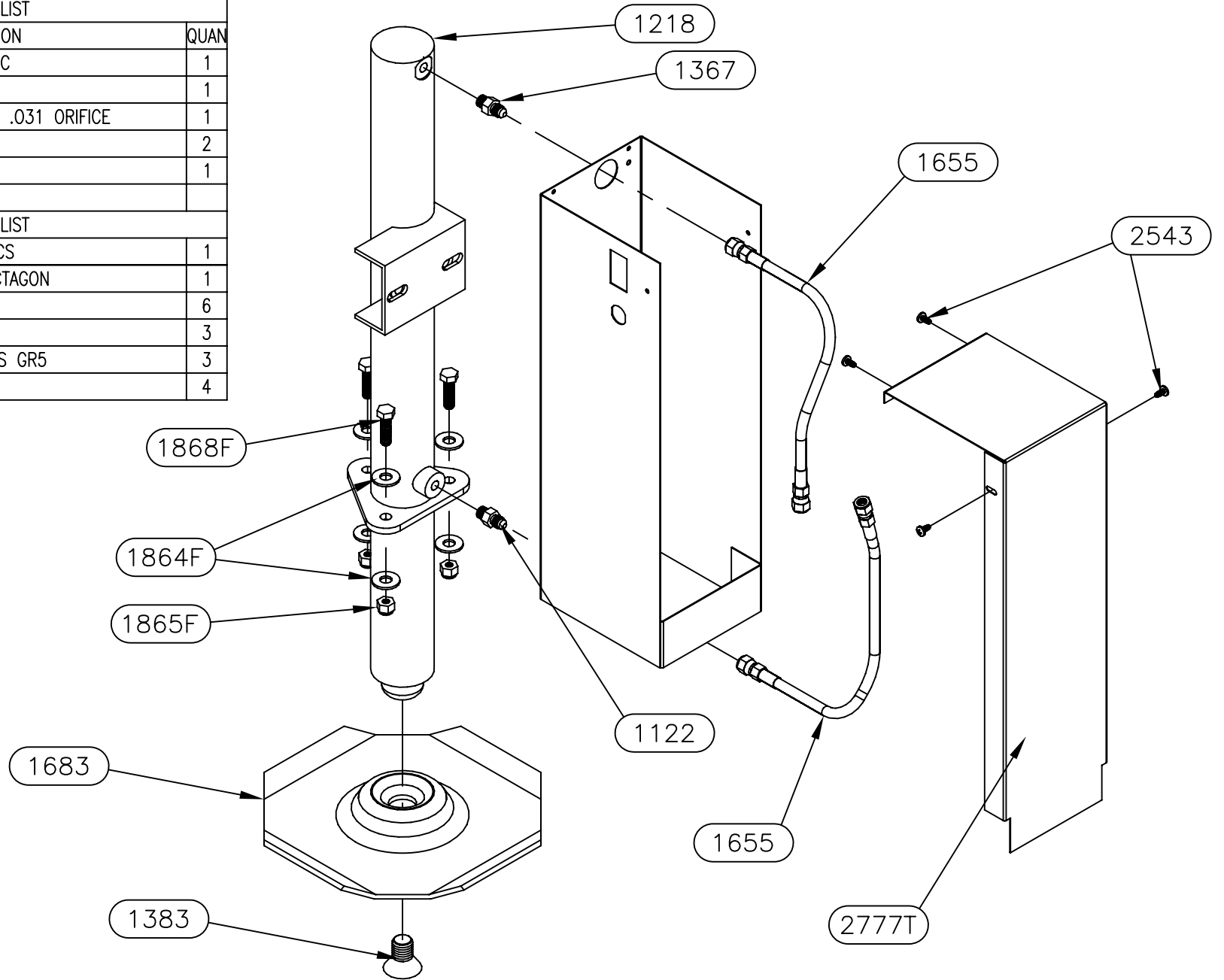
NOTICE - This drawing, including principles of design, is the property of Days Corporation, Elkhart, Indiana, with the agreement that it is not to be reproduced, copied, or loaned in any manner that may constitute a detriment directly or indirectly to Days Corporation. Acceptance of this will be construed as an agreement of the above.

7151M PARTS LIST

PART#	DESCRIPTION	QUAN
1122	FITTING-#4 OR MALE X #4 JIC	1
1218	CYLINDER-1 7/8 X 16 TJ	1
1367	FITTING-RESTRICTOR #6 X #4 .031 ORIFICE	1
1655	HOSE-AM UPPER	2
2777T	COVER-TJ-METAL TOP	1

7165M PARTS LIST

1383	BOLT-3/4-10 X 1 1/4 FHSCS	1
1683	FOOT-SL 16/15 10 X 10 OCTAGON	1
1864F	WASHER-3/8 USS FLAT	6
1865F	NUT-3/8-16 NYLOCK	3
1868F	BOLT-3/8-16 X 1 1/4 HHCS GR5	3
2543	SCREW-10-32 X 3/8 TC	4



Equalizer

55169 COUNTY ROAD 3
ELKHART, IN 46515

#	REVISIONS	BY:	DATE:

UNLESS OTHERWISE SPECIFIED:
TOLERANCES:
.XXX ± 0.010
.XX ± 0.010
.X ± 0.030
ANG. ± 1/2"
REMOVE ALL BURRS AND SHARP EDGES .015 MAX

TITLE		USED ON:	
TONGUE JACK ASSEMBLY		TOWABLES	
SIZE	SCALE	MATERIAL	
A	1:1		
DRW BY:	DATE:	PART NAME:	
SCJ	5/17/12	TJ BI ROT 3"	
APP'D BY	DATE:	PAGE:	DWG NO.:
		3 OF 4	P8065M
			REV:

NOTICE - This drawing, including principles of design, is the property of Days Corporation, Elkhart, Indiana, with the agreement that it is not to be reproduced, copied, or loaned in any manner that may constitute a detriment directly or indirectly to Days Corporation. Acceptance of this will be construed as an agreement of the above.

