



**EQ SMART-LEVEL**  
**JAYCO SYSTEM BOOK**  
**2015-2024**

## TABLE OF CONTENTS

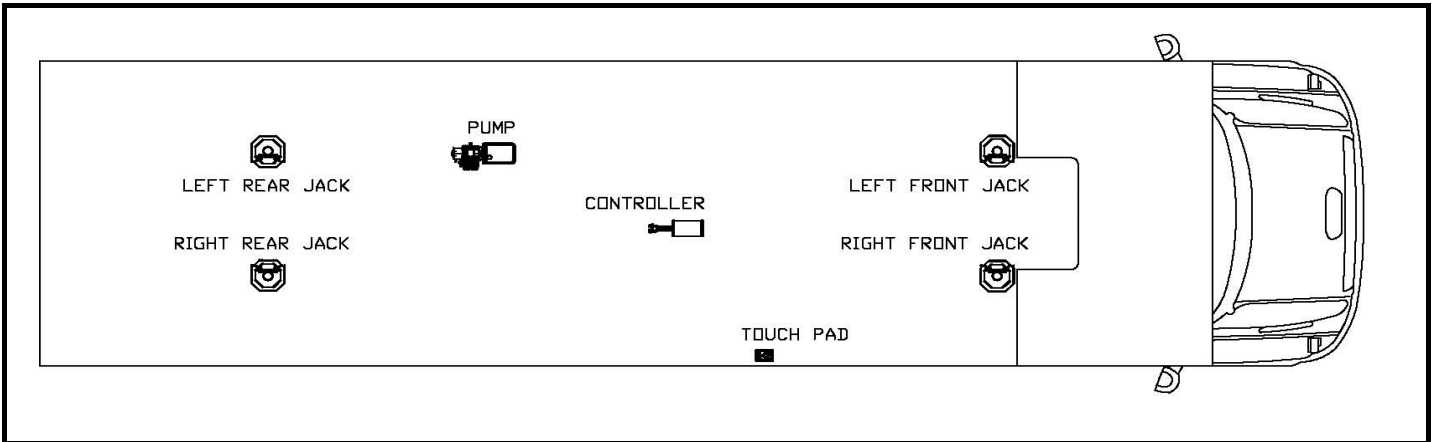
2015 Greyhawk		5
2015 Redhawk		5
2015 Seneca		6
2016 Greyhawk		7
2016 Redhawk		7
2016 Seneca		8
2017 Redhawk		9
2017 Greyhawk		9
2017 Seneca		10
2018 Redhawk		11
2018 Greyhawk		11
2018 Seneca	Through May of 2017	12
2018 Seneca	Starting June of 2017	13
2019 Seneca	Through 5/10/18	14
2019 Seneca	After 5/10/18	15
2019 Alante 26X	Through 5/10/18	16
2019 Alante 26X	After 5/10/18	17
2019 Alante 29S	Through 5/10/18	18
2019 Alante 29S	After 5/10/18	19
2019 Alante 31V	Through 5/10/18	20
2019 Alante 31V	After 5/10/18	21
2019 Alante 31R	Through 5/10/18	20
2019 Alante 31R	After 5/10/18	21
2019 Precept 29V	Through 5/10/18	22

2019 Precept 29V	After 5/10/18	23
2019 Precept 31UL	Through 5/10/18	22
2019 Precept 31UL	After 5/10/18	23
2019 Precept 34G		24
2019 Precept 36A	Through 5/10/18	25
2019 Precept 36A	After 5/10/18	26
2019 Precept XL 36U	Through 5/10/18	27
2019 Precept XL 36U	After 5/10/18	28
2019 Precept XL 36T	Through 5/10/18	27
2019 Precept XL 36T	After 5/10/18	28
2019 Embark		29
2020 Seneca		30
2020 Alante 26X		31
2020 Alante 27A		32
2020 Alante 29S		33
2020 Alante 29F, 31V		34
2020 Alante 29V, 31UL, 34G, 33B		35
2020 Precept 36A		36
2020 Precept Prestige		37
2020 Embark		38
2021 Seneca		39
2021 Alante 26X		40
2021 Alante 27A		41
2021 Alante 29S		42

2021 Alante 29F, 31V	43
2021 Precept 29V, 31UL, 34G, 33B	44
2021 Precept 36A, 36C	45
2021 Precept Prestige	46
2021 Embark	47
2022 Seneca	48
2022 Alante 26X	49
2022 Alante 27A	50
2022 Alante 29S	51
2022 Alante 29F, 31V	52
2022 Precept 31UL, 34G, 36B	53
2022 Precept 36A, 36C	54
2022 Precept Prestige	55
2022 Embark	56
2023 Seneca & Seneca Prestige	57
2023 Seneca XT	58
2023 Alante 27A	59
2023 Alante 29S	60
2023 Alante 29F	61
2023 Precept 31UL, 34G, 36B	62
2023 Precept 36A, 36C	63
2023 Precept Prestige	64
2023 Embark	65
2024 Seneca	66
2024 Seneca Prestige	67

2024 Seneca XT 29T		68
2024 Seneca XT 32U, 35L		69
2024 Alante 27A		70
2024 Alante 29S		71
2024 Alante 29F		72
2024 Precept 31UL, 34G, 36B		73
2024 Precept 36A, 36C		74
2024 Precept Prestige		75
2024 Greyhawk XL		76
Jack Drawings	(7214, 7636, 7842, 7842A)	77-85
Pump Drawings	(7948, 7948KS, 7953KS, 7960, 7960KS)	86-108
Hose Kits	(7950, 7952, 7952-REV C, 70091, 70109, 70110, 70111, 70112, 70239, 70462)	109-128
Wiring Schematic	(8630B, 8630C, 8735, 8736, 8736C, 8739)	129-134

MY2015 GREYHAWK-REDHAWK



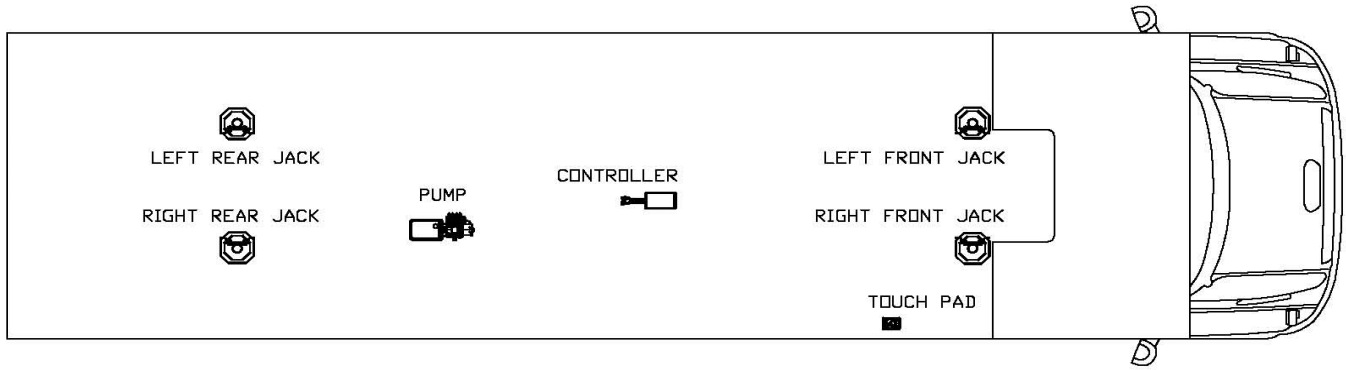
Notes:


Item, Length	Description / Location	Qty	Color	Equalizer Part No.
Kit	(Items listed below)	1		8735A & 8735B
Pump	4-Function, Jacks	1		7948
Jack	7,500 lbs, 13" Stroke/Front Jacks	2		7842A
Jack	7,500 lbs, 13" Stroke/Rear Jacks	2		7842
Touch Pad	Located near entry door	1		3103
AL Controller	Attached to bottom of structure	1		3197
Harness	Connects Controller & Pump	1		6955
Harness	Connects Controller & Touch Pad	1		6951
Hose Kit	Complete Set of Hoses	1		7950
Hose, 8'	Pump to Jack, Left Rear Top	1	Orange Solid	2463
Hose, 8'	LR Jack Bottom to RR Jack Bottom	1	Orange/Yellow Stripe	2463
Hose, 10'	Pump to Jack, Left Rear Bottom	1	Orange Stripe	2465
Hose, 10'	LF Jack Bottom to RF Jack Bottom	1	Brown/White Stripe	2465
Hose, 12'	Pump to Jack, Right Rear Top	1	Yellow Solid	2467
Hose, 14'	Pump to Jack, Left Front Top	1	Brown Solid	2469
Hose, 14'	Pump to Jack, Left Front Bottom	1	Brown Stripe	2469
Hose, 16'	Pump to Jack, Right Front Top	1	White Solid	2471

Options


Revisions


MY2015 SENECA



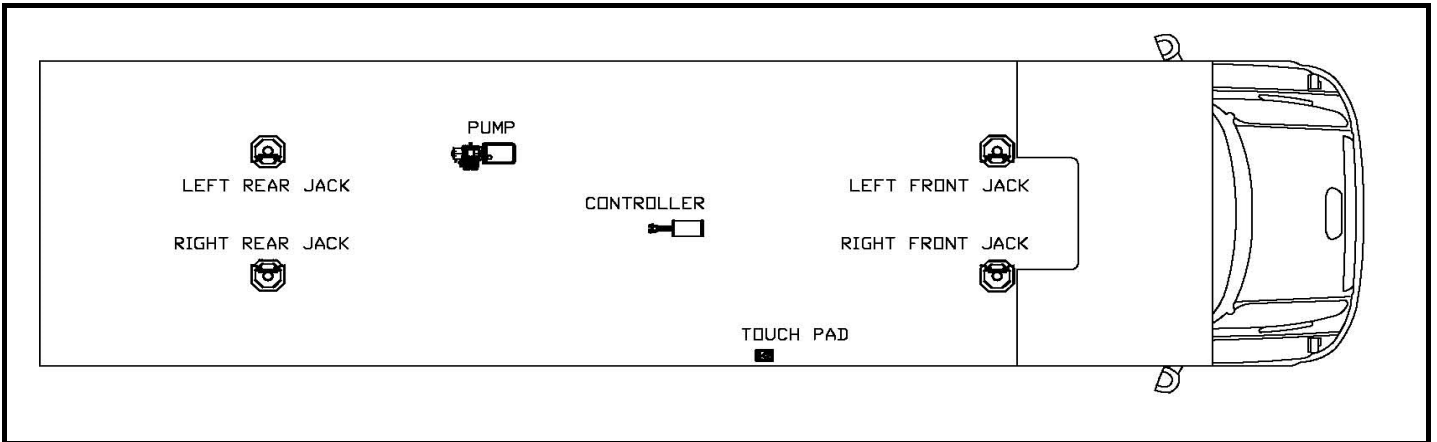
Notes:


Item, Length	Description / Location	Qty	Color	Equalizer Part No.
Kit	(Items listed below)	1		8736A & 8736B
Pump	4-Function, Jacks	1		7960
Jacks	12,000 lbs, 16" Stroke Jacks	4		7214
Touch Pad	Located near entry door	1		3103
AL Controller	Attached to bottom of structure	1		2745U
Harness	Connects Controller & Touch Pad	1		6975U
Harness	Connects Controller & Pump	1		6955U
Hose Kit	Complete Set of Hoses	1		7952
Hose, 8'	LF Jack Bottom to RF Jack Bottom	1	Brown/White Stripe	2463
Hose, 8'	LR Jack Bottom to RR Jack Bottom	1	Orange/Yellow Stripe	2463
Hose, 10'	Pump to Jack, Right Rear Top	1	Yellow Solid	2465
Hose, 10'	Pump to Jack, Right Rear Bottom	1	Yellow Stripe	2465
Hose, 14'	Pump to Jack, Left Rear Top	1	Orange Solid	2469
Hose, 18'	Pump to Jack, Left Front Top	1	Brown Solid	2473
Hose, 20'	Pump to Jack, Right Front Top	1	White Solid	2475
Hose, 20'	Pump to Jack, Right Front Bottom	1	White Stripe	2475

Options


Revisions


MY2016 GREYHAWK-REDHAWK



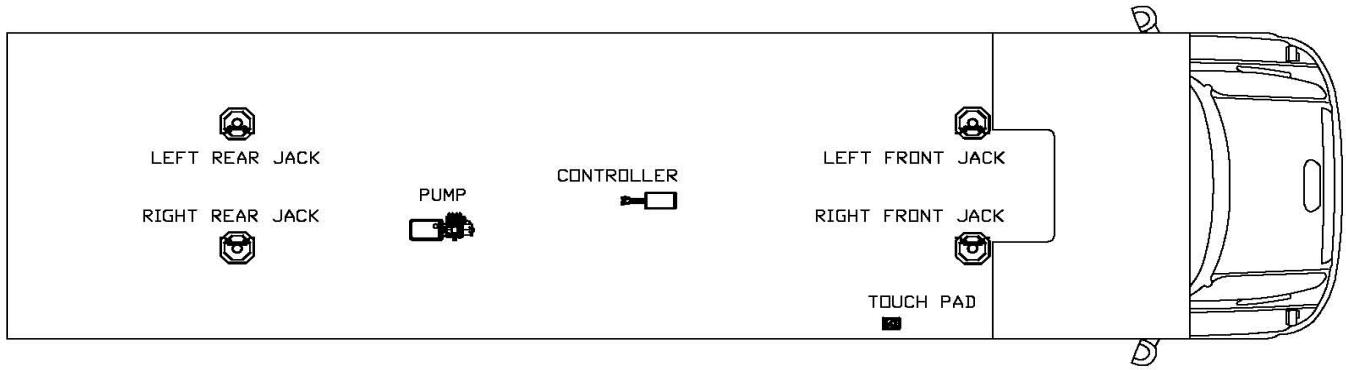
**Notes:**

At the end of September 2015 these systems were changed to use the 7842A jacks on both the front and rear. They do not interchange as the mounting bracket on the chassis was changed to accommodate this so you must know which jacks are on the coach when replacing.

Item, Length	Description / Location	Qty	Color	Equalizer Part No.
Kit	(Items listed below)	1		8735A & 8735B
Pump	4-Function, Jacks	1		7948
Jack	7,500 lbs, 13" Stroke/Front Jacks	2		7842A
Jack	7,500 lbs, 13" Stroke/Rear Jacks	2		7842
Touch Pad	Located near entry door	1		3103
AL Controller	Attached to bottom of structure	1		3197
Harness	Connects Controller & Pump	1		6955
Harness	Connects Controller & Touch Pad	1		6951
Hose Kit	Complete Set of Hoses	1		7950
Hose, 8'	Pump to Jack, Left Rear Top	1	Orange Solid	2463
Hose, 8'	LR Jack Bottom to RR Jack Bottom	1	Orange/Yellow Stripe	2463
Hose, 10'	Pump to Jack, Left Rear Bottom	1	Orange Stripe	2465
Hose, 10'	LF Jack Bottom to RF Jack Bottom	1	Brown/White Stripe	2465
Hose, 12'	Pump to Jack, Right Rear Top	1	Yellow Solid	2467
Hose, 14'	Pump to Jack, Left Front Top	1	Brown Solid	2469
Hose, 14'	Pump to Jack, Left Front Bottom	1	Brown Stripe	2469
Hose, 16'	Pump to Jack, Right Front Top	1	White Solid	2471
<b>Options</b>				
<b>Revisions</b>				



MY2016 SENECA



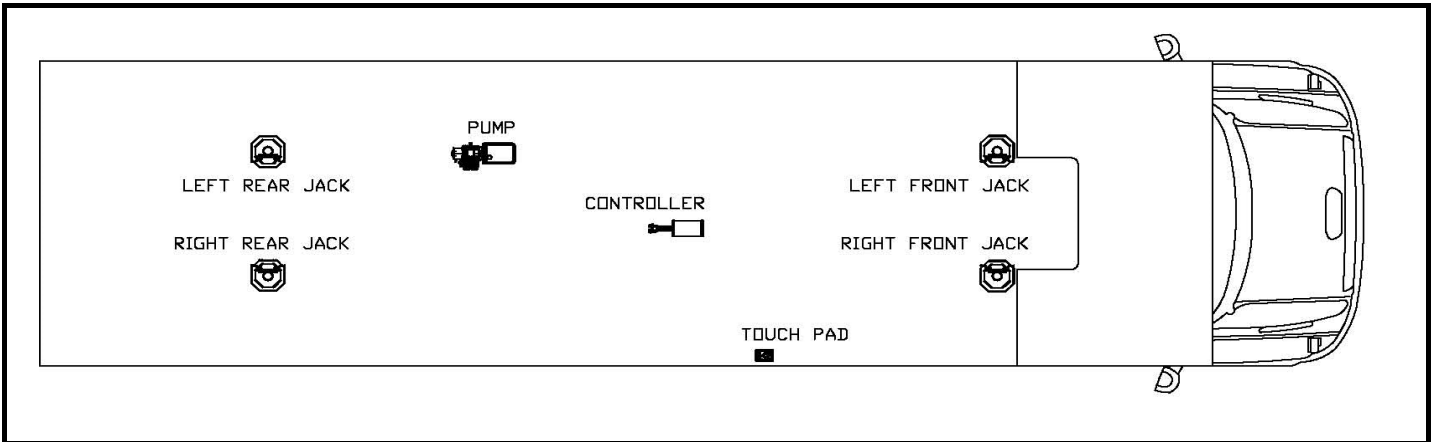
Notes:


Item, Length	Description / Location	Qty	Color	Equalizer Part No.
Kit	(Items listed below)	1		8736A & 8736B
Pump	4-Function, Jacks	1		7960
Jacks	12,000 lbs, 16" Stroke Jacks	4		7214
Touch Pad	Located near entry door	1		3103
AL Controller	Attached to bottom of structure	1		2745U
Harness	Connects Controller & Touch Pad	1		6975U
Harness	Connects Controller & Pump	1		6955U
Hose Kit	Complete Set of Hoses	1		7952
Hose, 8'	LF Jack Bottom to RF Jack Bottom	1	Brown/White Stripe	2463
Hose, 8'	LR Jack Bottom to RR Jack Bottom	1	Orange/Yellow Stripe	2463
Hose, 10'	Pump to Jack, Right Rear Top	1	Yellow Solid	2465
Hose, 10'	Pump to Jack, Right Rear Bottom	1	Yellow Stripe	2465
Hose, 14'	Pump to Jack, Left Rear Top	1	Orange Solid	2469
Hose, 18'	Pump to Jack, Left Front Top	1	Brown Solid	2473
Hose, 20'	Pump to Jack, Right Front Top	1	White Solid	2475
Hose, 20'	Pump to Jack, Right Front Bottom	1	White Stripe	2475

Options


Revisions


MY2017 GREYHAWK-REDHAWK



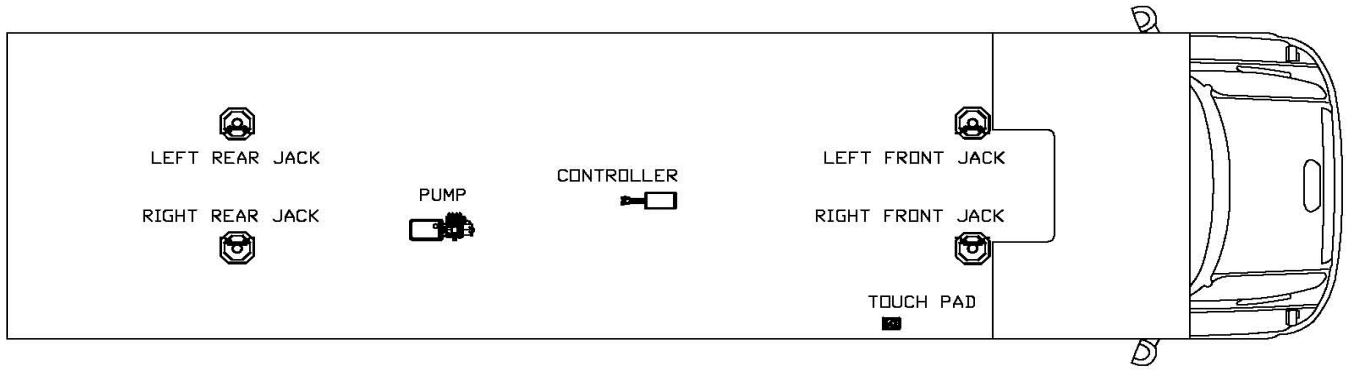
Notes:


Item, Length	Description / Location	Qty	Color	Equalizer Part No.
Kit	(Items listed below)	1		8735A & 8735B
Pump	4-Function, Jacks	1		7948
Jack	7,500 lbs, 13" Stroke	4		7842A
Touch Pad	Located near entry door	1		3103
AL Controller	Attached to bottom of structure	1		3197
Harness	Connects Controller & Pump	1		6955
Harness	Connects Controller & Touch Pad	1		6951
Hose Kit	Complete Set of Hoses	1		7950
Hose, 8'	Pump to Jack, Left Rear Top	1	Orange Solid	2463
Hose, 8'	LR Jack Bottom to RR Jack Bottom	1	Orange/Yellow Stripe	2463
Hose, 10'	Pump to Jack, Left Rear Bottom	1	Orange Stripe	2465
Hose, 10'	LF Jack Bottom to RF Jack Bottom	1	Brown/White Stripe	2465
Hose, 12'	Pump to Jack, Right Rear Top	1	Yellow Solid	2467
Hose, 14'	Pump to Jack, Left Front Top	1	Brown Solid	2469
Hose, 14'	Pump to Jack, Left Front Bottom	1	Brown Stripe	2469
Hose, 16'	Pump to Jack, Right Front Top	1	White Solid	2471

Options


Revisions


MY2017 SENECA



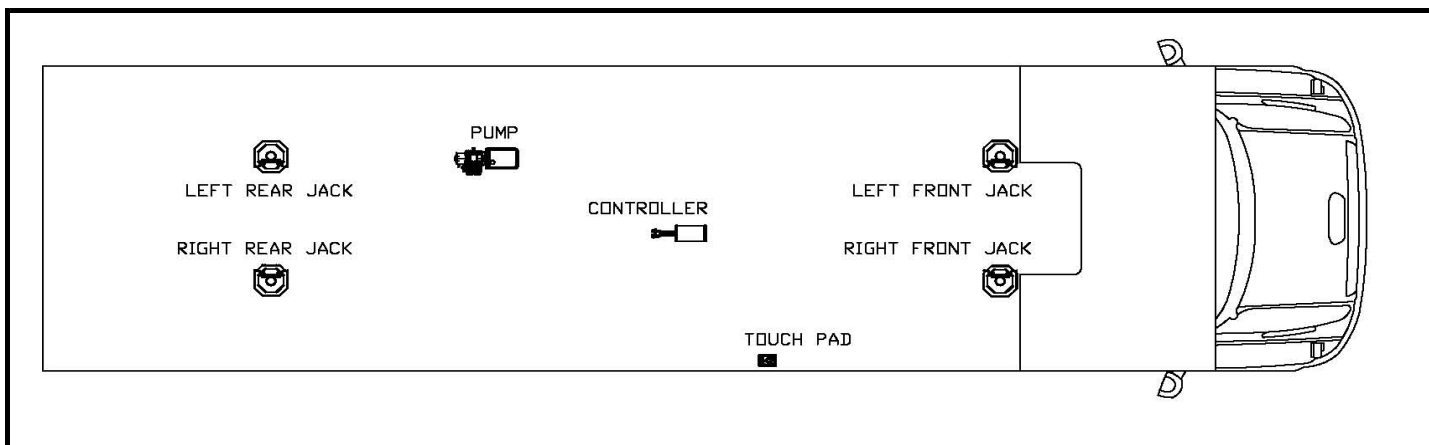
Notes:


Item, Length	Description / Location	Qty	Color	Equalizer Part No.
Kit	(Items listed below)	1		8736A & 8736B
Pump	4-Function, Jacks	1		7960
Jacks	12,000 lbs, 16" Stroke Jacks	4		7214
Touch Pad	Located near entry door	1		3103
AL Controller	Attached to bottom of structure	1		2745U
Harness	Connects Controller & Touch Pad	1		6975U
Harness	Connects Controller & Pump	1		6955U
Hose Kit	Complete Set of Hoses	1		7952
Hose, 8'	LF Jack Bottom to RF Jack Bottom	1	Brown/White Stripe	2463
Hose, 8'	LR Jack Bottom to RR Jack Bottom	1	Orange/Yellow Stripe	2463
Hose, 10'	Pump to Jack, Right Rear Top	1	Yellow Solid	2465
Hose, 10'	Pump to Jack, Right Rear Bottom	1	Yellow Stripe	2465
Hose, 14'	Pump to Jack, Left Rear Top	1	Orange Solid	2469
Hose, 18'	Pump to Jack, Left Front Top	1	Brown Solid	2473
Hose, 20'	Pump to Jack, Right Front Top	1	White Solid	2475
Hose, 20'	Pump to Jack, Right Front Bottom	1	White Stripe	2475

Options


Revisions


**MY2018 GREYHAWK-REDHAWK**



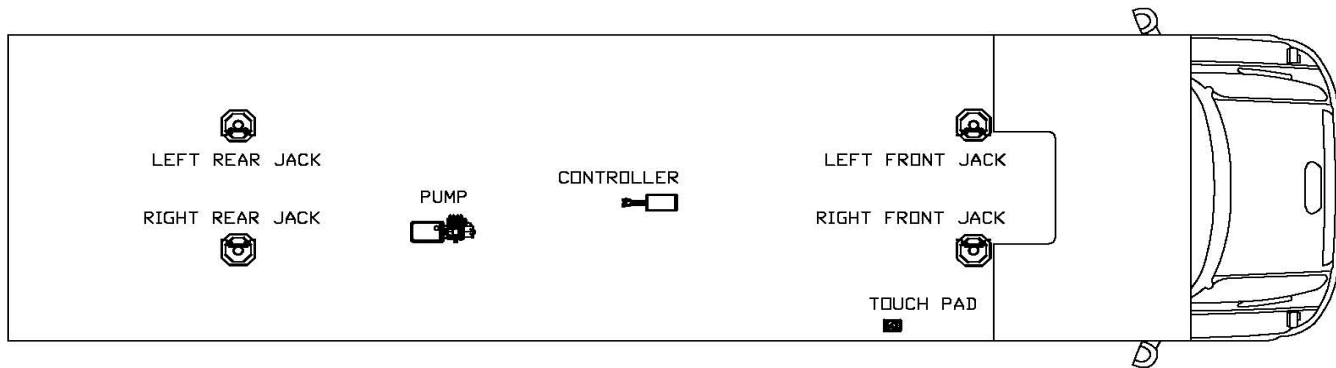
**Notes:**


Item, Length	Description / Location	Qty	Color	Equalizer Part No.
Kit	(Items listed below)	1		8735A & 8735B
Pump	4-Function, Jacks	1		7948KS
Jack	7,500 lbs, 13" Stroke	4		7842A
Touch Pad	Located near entry door	1		3103
AL Controller	Attached to bottom of structure	1		3197
Harness	Connects Controller & Pump	1		6955
Harness	Connects Controller & Touch Pad	1		6951
Hose Kit	Complete Set of Hoses	1		7950
Hose, 8'	Pump to Jack, Left Rear Top	1	Orange Solid	2463
Hose, 8'	LR Jack Bottom to RR Jack Bottom	1	Orange/Yellow Stripe	2463
Hose, 10'	Pump to Jack, Left Rear Bottom	1	Orange Stripe	2465
Hose, 10'	LF Jack Bottom to RF Jack Bottom	1	Brown/White Stripe	2465
Hose, 12'	Pump to Jack, Right Rear Top	1	Yellow Solid	2467
Hose, 14'	Pump to Jack, Left Front Top	1	Brown Solid	2469
Hose, 14'	Pump to Jack, Left Front Bottom	1	Brown Stripe	2469
Hose, 16'	Pump to Jack, Right Front Top	1	White Solid	2471

**Options**


**Revisions**


**MY2018 SENECA  
(Through May 2017)**



**Notes:**

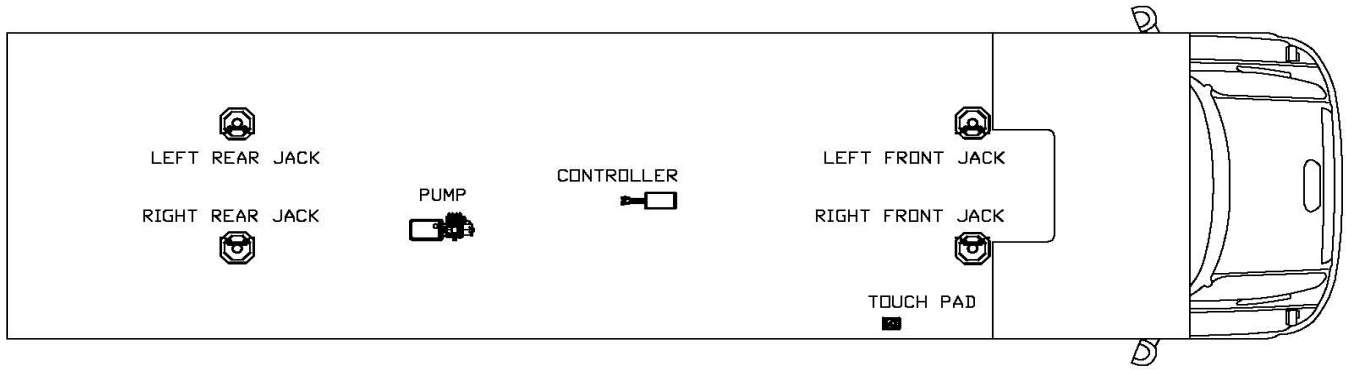
In December of 2016, the pump was changed from 7960 to 7960KS.

Item, Length	Description / Location	Qty	Color	Equalizer Part No.
Kit	(Items listed below)	1		8736A & 8736B
Pump	4-Function, Jacks	1		7960KS
Jacks	12,000 lbs, 16" Stroke Jacks	4		7214
Touch Pad	Located near entry door	1		3103
AL Controller	Attached to bottom of structure	1		2745U
Harness	Connects Controller & Touch Pad	1		6975U
Harness	Connects Controller & Pump	1		6955U
Hose Kit	Complete Set of Hoses	1		7952
Hose, 8'	LF Jack Bottom to RF Jack Bottom	1	Brown/White Stripe	2463
Hose, 8'	LR Jack Bottom to RR Jack Bottom	1	Orange/Yellow Stripe	2463
Hose, 10'	Pump to Jack, Right Rear Top	1	Yellow Solid	2465
Hose, 10'	Pump to Jack, Right Rear Bottom	1	Yellow Stripe	2465
Hose, 14'	Pump to Jack, Left Rear Top	1	Orange Solid	2469
Hose, 18'	Pump to Jack, Left Front Top	1	Brown Solid	2473
Hose, 20'	Pump to Jack, Right Front Top	1	White Solid	2475
Hose, 20'	Pump to Jack, Right Front Bottom	1	White Stripe	2475

**Options**


**Revisions**


**MY2018 SENECA  
(Starting June-2017)**



**Notes:**

In December of 2016, the pump was changed from 7960 to 7960KS.

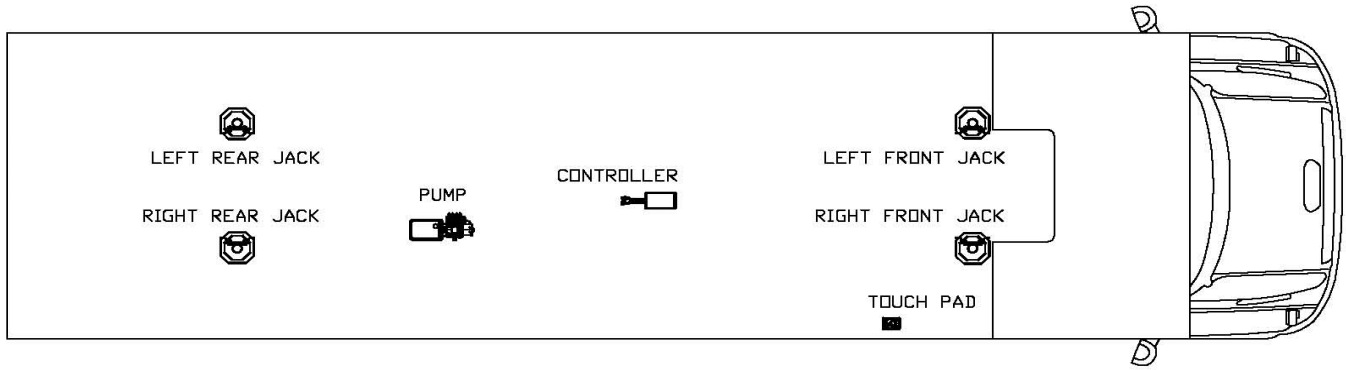
On June 1st 2017, the entire hose arrangement was changed and the pump changed as well. (Use hose kit revision B)

Item, Length	Description / Location	Qty	Color	Equalizer Part No.
Kit	(Items listed below)	1		8736A & 8736B
Pump	4-Function, Jacks	1		7948KS
Jacks	12,000 lbs, 16" Stroke Jacks	4		7214
Touch Pad	Located near entry door	1		3103
AL Controller	Attached to bottom of structure	1		2745U
Harness	Connects Controller & Touch Pad	1		6975U
Harness	Connects Controller & Pump	1		6955U
Hose Kit	Complete Set of Hoses	1		7952
Hose, 8'	LF Jack Bottom to RF Jack Bottom	1	Brown/White Stripe	2463
Hose, 8'	LR Jack Bottom to RR Jack Bottom	1	Orange/Yellow Stripe	2463
Hose, 10'	Pump to Jack, Left Rear Top	1	Orange Solid	2465
Hose, 10'	Pump to Jack, Left Rear Bottom	1	Orange Stripe	2465
Hose, 12'	Pump to Jack, Right Rear Top	1	Yellow Solid	2467
Hose, 16'	Pump to Jack, Left Front Top	1	Brown Solid	2471
Hose, 18'	Pump to Jack, Left Front Bottom	1	Brown Stripe	2473
Hose, 18'	Pump to Jack, Right Front Top	1	White Solid	2473

**Options**


**Revisions**


**MY2019  
SENECA  
(Shipped to Jayco through 5/10/18)**



**Notes:**

In December of 2016, the pump was changed from 7960 to 7960KS.

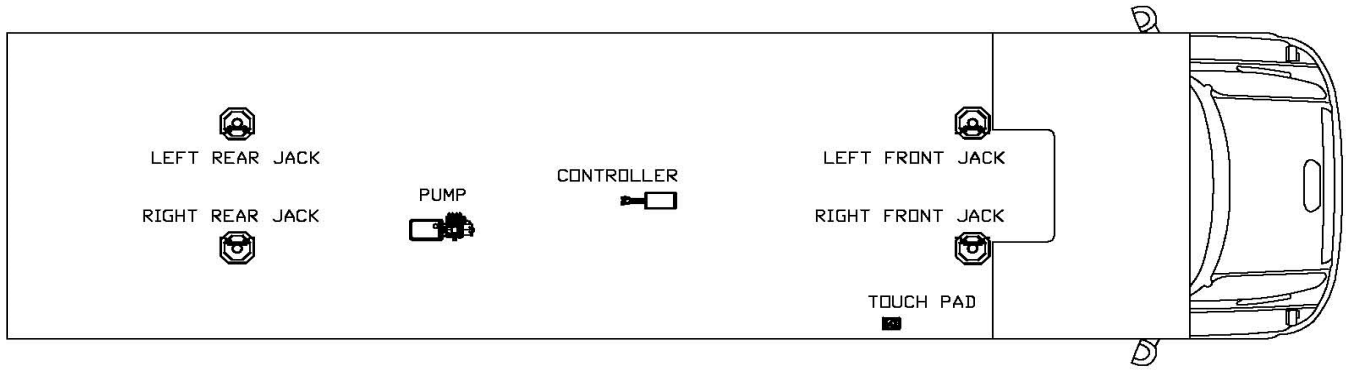
On June 1st 2017, the entire hose arrangement was changed and the pump changed as well. (Use hose kit revision B)

Item, Length	Description / Location	Qty	Color	Equalizer Part No.
Kit	(Items listed below)	1		8736A & 8736B
Pump	4-Function, Jacks	1		7948KS
Jacks	12,000 lbs, 16" Stroke Jacks	4		7214
Touch Pad	Located near entry door	1		3103
AL Controller	Attached to bottom of structure	1		2745U
Harness	Connects Controller & Touch Pad	1		6975U
Harness	Connects Controller & Pump	1		6955U
Hose Kit	Complete Set of Hoses	1		7952
Hose, 8'	LF Jack Bottom to RF Jack Bottom	1	Brown/White Stripe	2463
Hose, 8'	LR Jack Bottom to RR Jack Bottom	1	Orange/Yellow Stripe	2463
Hose, 10'	Pump to Jack, Left Rear Top	1	Orange Solid	2465
Hose, 10'	Pump to Jack, Left Rear Bottom	1	Orange Stripe	2465
Hose, 12'	Pump to Jack, Right Rear Top	1	Yellow Solid	2467
Hose, 16'	Pump to Jack, Left Front Top	1	Brown Solid	2471
Hose, 18'	Pump to Jack, Left Front Bottom	1	Brown Stripe	2473
Hose, 18'	Pump to Jack, Right Front Top	1	White Solid	2473

**Options**


**Revisions**


**MY2019  
SENECA  
(Shipped to Jayco after 5/10/18)**



**Notes:**

In December of 2016, the pump was changed from 7960 to 7960KS.  
 On June 1st 2017, the entire hose arrangement was changed and the pump changed as well. (Use hose kit revision B)  
 After May 10th, 2018 the controls were changed to Smart Level

Item, Length	Description / Location	Qty	Color	Equalizer Part No.
Kit	(Items listed below)	1		8736A & 8736C
Pump	4-Function, Jacks	1		7948KS
Jacks	12,000 lbs, 16" Stroke Jacks	4		7214
Control Panel	Located near entry door	1		3197SBT
Harness	Connects Control Panel & Pump	1		6133-30
Hose Kit	Complete Set of Hoses	1		7952
Hose, 8'	LF Jack Bottom to RF Jack Bottom	1	Brown/White Stripe	2463
Hose, 8'	LR Jack Bottom to RR Jack Bottom	1	Orange/Yellow Stripe	2463
Hose, 10'	Pump to Jack, Left Rear Top	1	Orange Solid	2465
Hose, 10'	Pump to Jack, Left Rear Bottom	1	Orange Stripe	2465
Hose, 12'	Pump to Jack, Right Rear Top	1	Yellow Solid	2467
Hose, 16'	Pump to Jack, Left Front Top	1	Brown Solid	2471
Hose, 18'	Pump to Jack, Left Front Bottom	1	Brown Stripe	2473
Hose, 18'	Pump to Jack, Right Front Top	1	White Solid	2473
<b>Options</b>				
<b>Revisions</b>				



**MY2019  
ALANTE 26X  
(Shipped to Jayco through 5/10/18)**



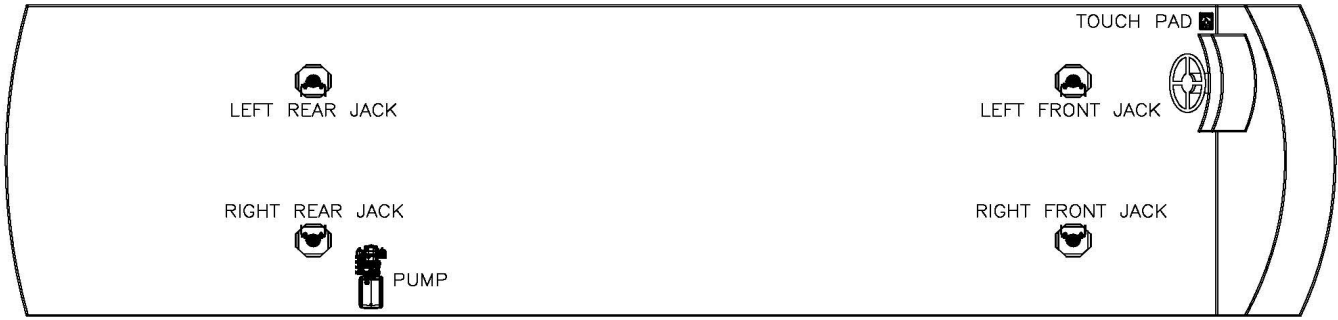
**Notes:**


Item, Length	Description / Location	Qty	Color	Equalizer Part No.
Kit	(Items listed below)	1		
Pump	4-Function, Jacks	1		7960KS
Jacks	7,500 lbs, 15" Stroke Jacks	4		7636
Touch Pad	Located in dash left of driver	1		3103
AL Controller	Attached to bottom of structure	1		3197U
Harness	Connects Controller & Touch Pad	1		6127U
Harness	Connects Controller & Pump	1		6799U
Hose Kit	Complete Set of Hoses	1		70109
Hose, 4'	Pump to Jack, Right Rear Top	1	Yellow Solid	2459
Hose, 4'	Pump to Jack, Right Rear Bottom	1	Yellow Stripe	2459
Hose, 8'	LR Jack Bottom to RR Jack Bottom	1	Orange/Yellow Stripe	2463
Hose, 8'	Pump to Jack, Left Rear Top	1	Orange Solid	2463
Hose, 12'	LF Jack Bottom to RF Jack Bottom	1	Brown/White Stripe	2467
Hose, 18'	Pump to Jack, Right Front Top	1	White Solid	2473
Hose, 18'	Pump to Jack, Right Front Bottom	1	White Stripe	2473
Hose, 20'	Pump to Jack, Left Front Top	1	Brown Solid	2475

**Options**


**Revisions**


**MY2019  
ALANTE 26X  
(Shipped to Jayco after 5/10/18)**



**Notes:**

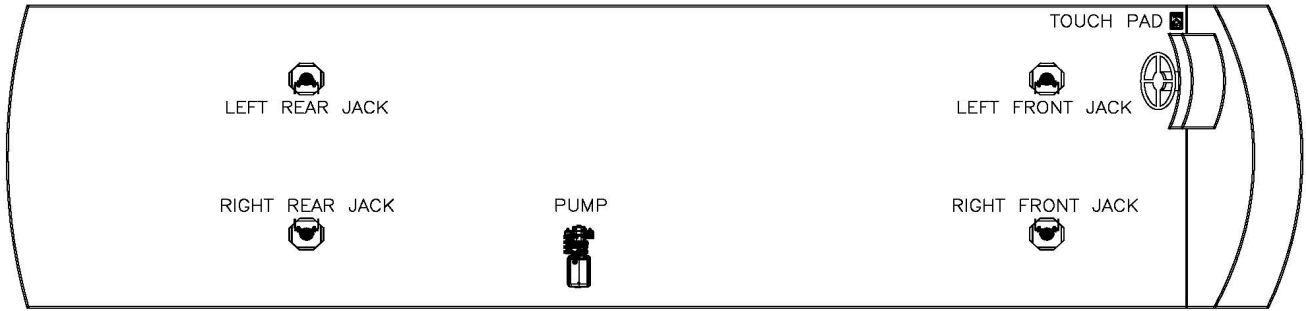
After May 10th, 2018 the controls were changed to Smart Level

Item, Length	Description / Location	Qty	Color	Equalizer Part No.
Kit	(Items listed below)	1		
Pump	4-Function, Jacks	1		7960KS
Jacks	7,500 lbs, 15" Stroke Jacks	4		7636
Control Panel	Located in dash left of driver	1		3197SBT
Harness	Connects Control Panel & Pump	1		6147
Hose Kit	Complete Set of Hoses	1		70109
Hose, 4'	Pump to Jack, Right Rear Top	1	Yellow Solid	2459
Hose, 4'	Pump to Jack, Right Rear Bottom	1	Yellow Stripe	2459
Hose, 8'	LR Jack Bottom to RR Jack Bottom	1	Orange/Yellow Stripe	2463
Hose, 8'	Pump to Jack, Left Rear Top	1	Orange Solid	2463
Hose, 12'	LF Jack Bottom to RF Jack Bottom	1	Brown/White Stripe	2467
Hose, 18'	Pump to Jack, Right Front Top	1	White Solid	2473
Hose, 18'	Pump to Jack, Right Front Bottom	1	White Stripe	2473
Hose, 20'	Pump to Jack, Left Front Top	1	Brown Solid	2475

**Options**


**Revisions**


**MY2019  
ALANTE 29S  
(Shipped to Jayco through 5/10/18)**



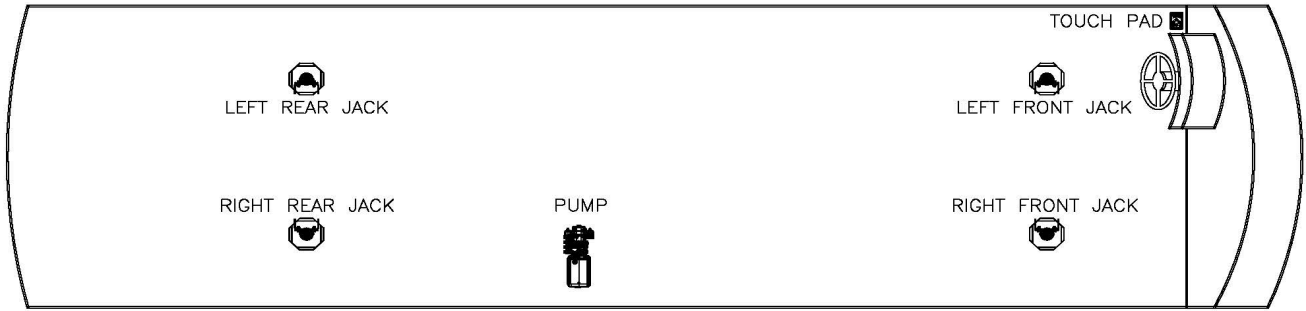
**Notes:**


Item, Length	Description / Location	Qty	Color	Equalizer Part No.
Kit	(Items listed below)	1		
Pump	4-Function, Jacks	1		7960KS
Jacks	7,500 lbs, 15" Stroke Jacks	4		7636
Touch Pad	Located in dash left of driver	1		3103
AL Controller	Attached to bottom of structure	1		3197U
Harness	Connects Controller & Touch Pad	1		6127U
Harness	Connects Controller & Pump	1		6799U
Hose Kit	Complete Set of Hoses	1		70111
Hose, 8'	LR Jack Bottom to RR Jack Bottom	1	Orange/Yellow Stripe	2463
Hose, 10'	Pump to Jack, Right Rear Top	1	Yellow Solid	2465
Hose, 10'	Pump to Jack, Right Rear Bottom	1	Yellow Stripe	2465
Hose, 12'	LF Jack Bottom to RF Jack Bottom	1	Brown/White Stripe	2467
Hose, 12'	Pump to Jack, Right Front Top	1	White Solid	2467
Hose, 14'	Pump to Jack, Right Front Bottom	1	White Stripe	2469
Hose, 14'	Pump to Jack, Left Rear Top	1	Orange Solid	2469
Hose, 16'	Pump to Jack, Left Front Top	1	Brown Solid	2471

**Options**


**Revisions**


**MY2019  
ALANTE 29S  
(Shipped to Jayco after 5/10/18)**



**Notes:**

After May 10th, 2018 the controls were changed to Smart Level

Item, Length	Description / Location	Qty	Color	Equalizer Part No.
Kit	(Items listed below)	1		
Pump	4-Function, Jacks	1		7960KS
Jacks	7,500 lbs, 15" Stroke Jacks	4		7636
Control Panel	Located in dash left of driver	1		3197SBT
Harness	Connects Control Panel & Pump	1		6147
Hose Kit	Complete Set of Hoses	1		70111
Hose, 8'	LR Jack Bottom to RR Jack Bottom	1	Orange/Yellow Stripe	2463
Hose, 10'	Pump to Jack, Right Rear Top	1	Yellow Solid	2465
Hose, 10'	Pump to Jack, Right Rear Bottom	1	Yellow Stripe	2465
Hose, 12'	LF Jack Bottom to RF Jack Bottom	1	Brown/White Stripe	2467
Hose, 12'	Pump to Jack, Right Front Top	1	White Solid	2467
Hose, 14'	Pump to Jack, Right Front Bottom	1	White Stripe	2469
Hose, 14'	Pump to Jack, Left Rear Top	1	Orange Solid	2469
Hose, 16'	Pump to Jack, Left Front Top	1	Brown Solid	2471

**Options**


**Revisions**


**MY2019  
ALANTE 31V 31R  
(Shipped to Jayco through 5/10/18)**



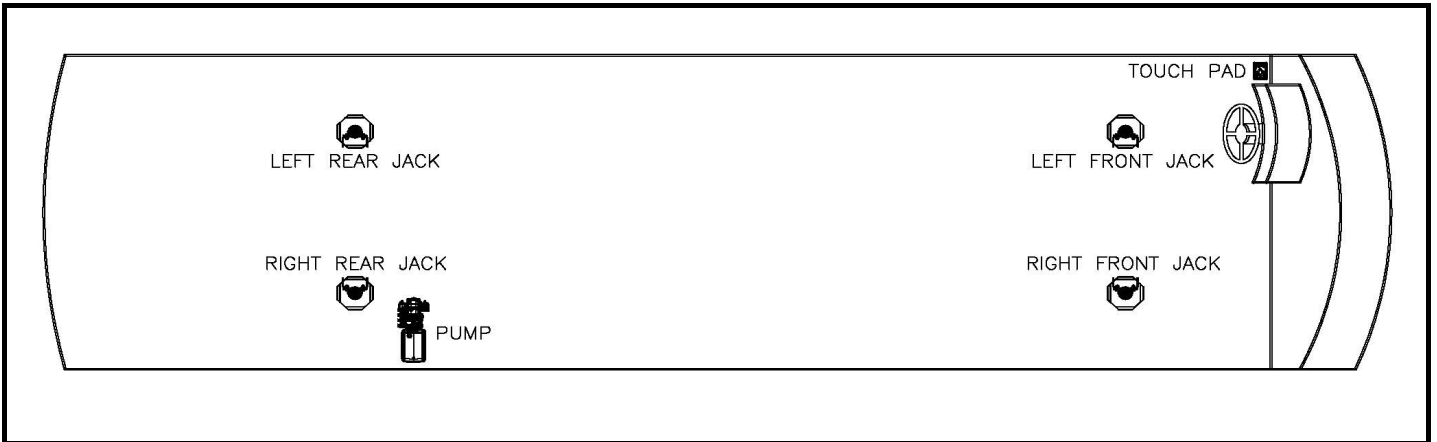
**Notes:**


Item, Length	Description / Location	Qty	Color	Equalizer Part No.
Kit	(Items listed below)	1		
Pump	4-Function, Jacks	1		7960KS
Jacks	7,500 lbs, 15" Stroke Jacks	4		7636
Touch Pad	Located in dash left of driver	1		3103
AL Controller	Attached to bottom of structure	1		3197U
Harness	Connects Controller & Touch Pad	1		6127U
Harness	Connects Controller & Pump	1		6799U
Hose Kit	Complete Set of Hoses	1		70110
Hose, 4'	Pump to Jack, Right Rear Top	1	Yellow Solid	2459
Hose, 4'	Pump to Jack, Right Rear Bottom	1	Yellow Stripe	2459
Hose, 8'	LR Jack Bottom to RR Jack Bottom	1	Orange/Yellow Stripe	2463
Hose, 8'	Pump to Jack, Left Rear Top	1	Orange Solid	2463
Hose, 12'	LF Jack Bottom to RF Jack Bottom	1	Brown/White Stripe	2467
Hose, 22'	Pump to Jack, Right Front Top	1	White Solid	2476
Hose, 22'	Pump to Jack, Right Front Bottom	1	White Stripe	2476
Hose, 24'	Pump to Jack, Left Front Top	1	Brown Solid	2478

**Options**


**Revisions**


**MY2019  
ALANTE 31V 31R  
(Shipped to Jayco after 5/10/18)**



**Notes:**

After May 10th, 2018 the controls were changed to Smart Level

Item, Length	Description / Location	Qty	Color	Equalizer Part No.
Kit	(Items listed below)	1		
Pump	4-Function, Jacks	1		7960KS
Jacks	7,500 lbs, 15" Stroke Jacks	4		7636
Control Panel	Located in dash left of driver	1		3197SBT
Harness	Connects Control Panel & Pump	1		6147
Hose Kit	Complete Set of Hoses	1		70110
Hose, 4'	Pump to Jack, Right Rear Top	1	Yellow Solid	2459
Hose, 4'	Pump to Jack, Right Rear Bottom	1	Yellow Stripe	2459
Hose, 8'	LR Jack Bottom to RR Jack Bottom	1	Orange/Yellow Stripe	2463
Hose, 8'	Pump to Jack, Left Rear Top	1	Orange Solid	2463
Hose, 12'	LF Jack Bottom to RF Jack Bottom	1	Brown/White Stripe	2467
Hose, 22'	Pump to Jack, Right Front Top	1	White Solid	2476
Hose, 22'	Pump to Jack, Right Front Bottom	1	White Stripe	2476
Hose, 24'	Pump to Jack, Left Front Top	1	Brown Solid	2478

**Options**


**Revisions**


**MY2019  
PRECEPT 29V 31UL  
(Shipped to Jayco through 5/10/18)**



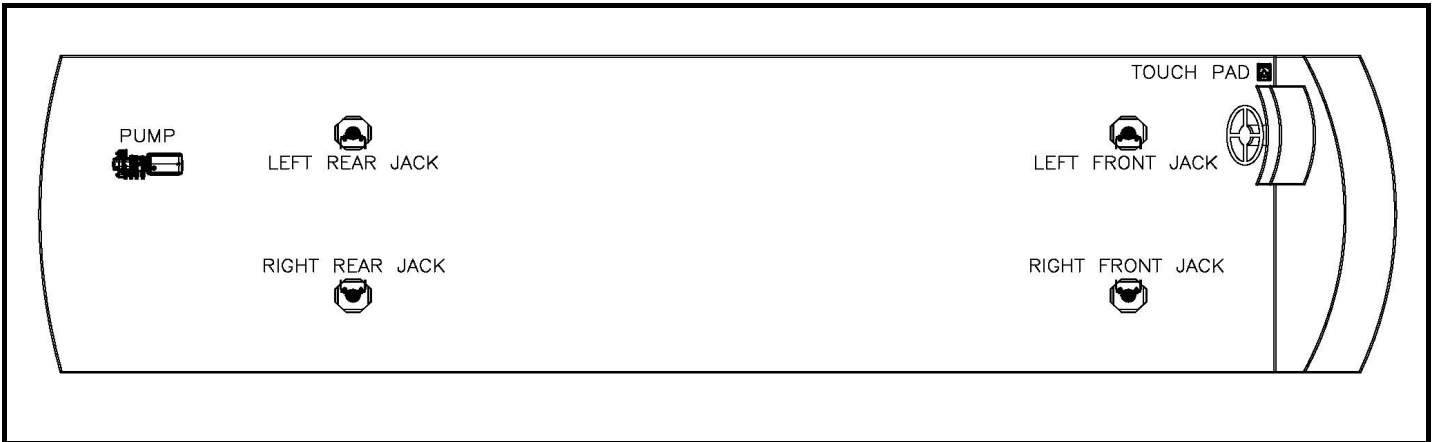
**Notes:**


Item, Length	Description / Location	Qty	Color	Equalizer Part No.
Kit	(Items listed below)	1		
Pump	4-Function, Jacks	1		7948KS
Jacks	7,500 lbs, 15" Stroke Jacks	4		7636
Touch Pad	Located in dash left of driver	1		3103
AL Controller	Attached to bottom of structure	1		3197U
Harness	Connects Controller & Touch Pad	1		6127U
Harness	Connects Controller & Pump	1		6799U
Hose Kit	Complete Set of Hoses	1		70112
Hose, 8'	LR Jack Bottom to RR Jack Bottom	1	Orange/Yellow Stripe	2463
Hose, 10'	Pump to Jack, Left Rear Top	1	Orange Solid	2465
Hose, 10'	Pump to Jack, Left Rear Bottom	1	Orange Stripe	2465
Hose, 12'	Pump to Jack, Right Rear Top	1	Yellow Solid	2467
Hose, 12'	LF Jack Bottom to RF Jack Bottom	1	Brown/White Stripe	2467
Hose, 30'	Pump to Jack, Left Front Top	1	Brown Solid	2527
Hose, 30'	Pump to Jack, Left Front Bottom	1	Brown Stripe	2527
Hose, 30'	Pump to Jack, Right Front Top	1	White Solid	2527

**Options**


**Revisions**


**MY2019  
PRECEPT 29V 31UL  
(Shipped to Jayco after 5/10/18)**



**Notes:**

After May 10th, 2018 the controls were changed to Smart Level

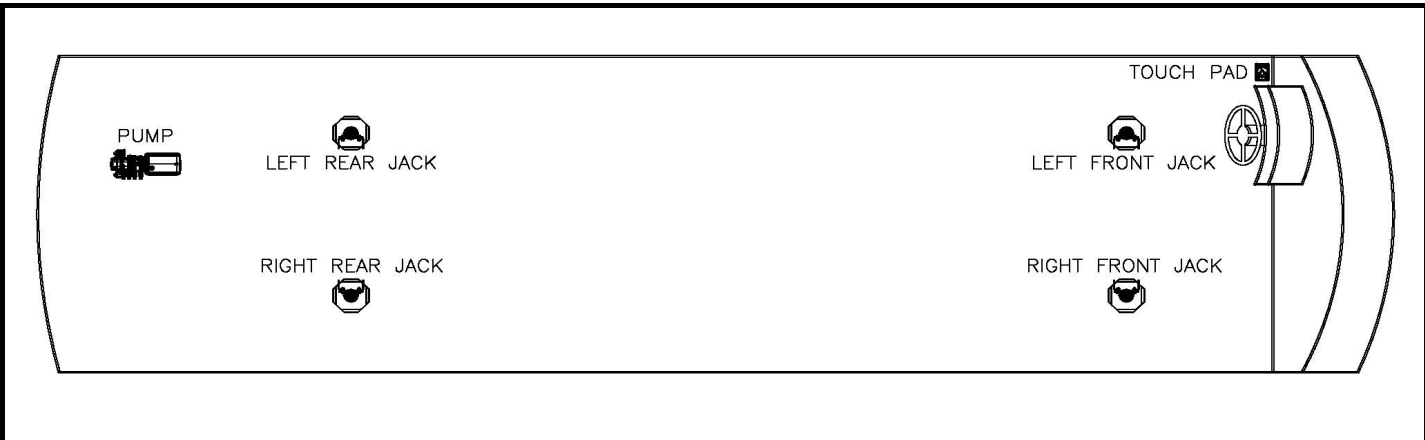
Item, Length	Description / Location	Qty	Color	Equalizer Part No.
Kit	(Items listed below)	1		
Pump	4-Function, Jacks	1		7948KS
Jacks	7,500 lbs, 15" Stroke Jacks	4		7636
Control Panel	Located in dash left of driver	1		3197SBT
Harness	Connects Control Panel & Pump	1		6147
Hose Kit	Complete Set of Hoses	1		70112
Hose, 8'	LR Jack Bottom to RR Jack Bottom	1	Orange/Yellow Stripe	2463
Hose, 10'	Pump to Jack, Left Rear Top	1	Orange Solid	2465
Hose, 10'	Pump to Jack, Left Rear Bottom	1	Orange Stripe	2465
Hose, 12'	Pump to Jack, Right Rear Top	1	Yellow Solid	2467
Hose, 12'	LF Jack Bottom to RF Jack Bottom	1	Brown/White Stripe	2467
Hose, 30'	Pump to Jack, Left Front Top	1	Brown Solid	2527
Hose, 30'	Pump to Jack, Left Front Bottom	1	Brown Stripe	2527
Hose, 30'	Pump to Jack, Right Front Top	1	White Solid	2527

**Options**


**Revisions**




MY2019  
PRECEPT 34G



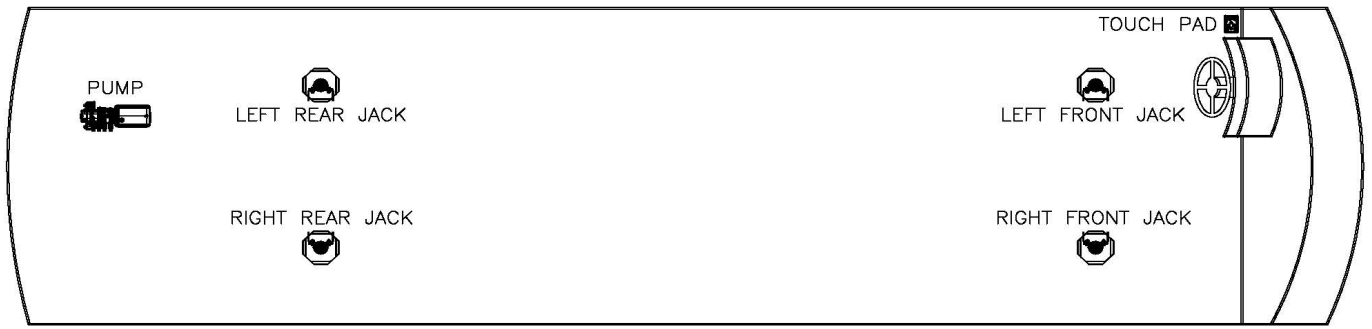
Notes:


Item, Length	Description / Location	Qty	Color	Equalizer Part No.
Kit	(Items listed below)	1		
Pump	4-Function, Jacks	1		7948KS
Jacks	7,500 lbs, 15" Stroke Jacks	4		7636
Control Panel	Located in dash left of driver	1		3197SBT
Harness	Connects Control Panel & Pump	1		6147
Hose Kit	Complete Set of Hoses	1		70112
Hose, 8'	LR Jack Bottom to RR Jack Bottom	1	Orange/Yellow Stripe	2463
Hose, 10'	Pump to Jack, Left Rear Top	1	Orange Solid	2465
Hose, 10'	Pump to Jack, Left Rear Bottom	1	Orange Stripe	2465
Hose, 12'	Pump to Jack, Right Rear Top	1	Yellow Solid	2467
Hose, 12'	LF Jack Bottom to RF Jack Bottom	1	Brown/White Stripe	2467
Hose, 30'	Pump to Jack, Left Front Top	1	Brown Solid	2527
Hose, 30'	Pump to Jack, Left Front Bottom	1	Brown Stripe	2527
Hose, 30'	Pump to Jack, Right Front Top	1	White Solid	2527

Options


Revisions


**MY2019  
PRECEPT 36A  
(Shipped to Jayco through 5/10/18)**



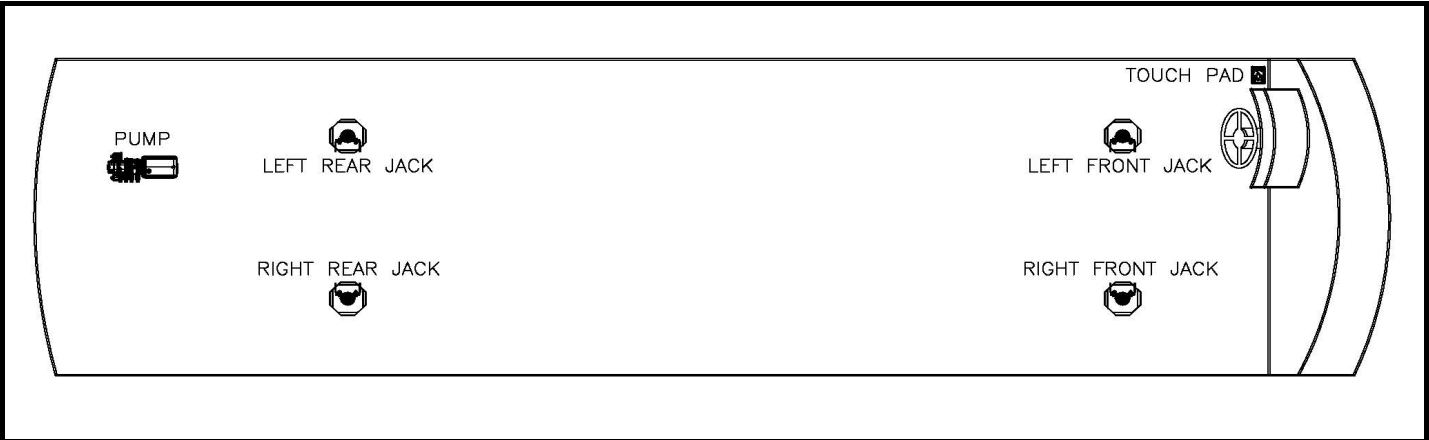
**Notes:**


Item, Length	Description / Location	Qty	Color	Equalizer Part No.
Kit	(Items listed below)	1		
Pump	4-Function, Jacks	1		7948KS
Jacks	7,500 lbs, 15" Stroke Jacks	4		7636
Touch Pad	Located in dash left of driver	1		3103
AL Controller	Attached to bottom of structure	1		3197U
Harness	Connects Controller & Touch Pad	1		6127U
Harness	Connects Controller & Pump	1		6799U
Hose Kit	Complete Set of Hoses	1		70091
Hose, 8'	LR Jack Bottom to RR Jack Bottom	1	Orange/Yellow Stripe	2463
Hose, 10'	Pump to Jack, Left Rear Top	1	Orange Solid	2465
Hose, 10'	Pump to Jack, Left Rear Bottom	1	Orange Stripe	2465
Hose, 10'	Pump to Jack, Right Rear Top	1	Yellow Solid	2465
Hose, 12'	LF Jack Bottom to RF Jack Bottom	1	Brown/White Stripe	2467
Hose, 32'	Pump to Jack, Left Front Top	1	Brown Solid	2482
Hose, 32'	Pump to Jack, Left Front Bottom	1	Brown Stripe	2482
Hose, 34'	Pump to Jack, Right Front Top	1	White Solid	2484

**Options**


**Revisions**


**MY2019  
PRECEPT 36A  
(Shipped to Jayco after 5/10/18)**



**Notes:**

After May 10th, 2018 the controls were changed to Smart Level


Item, Length	Description / Location	Qty	Color	Equalizer Part No.
Kit	(Items listed below)	1		
Pump	4-Function, Jacks	1		7948KS
Jacks	7,500 lbs, 15" Stroke Jacks	4		7636
Control Panel	Located in dash left of driver	1		3197SBT
Harness	Connects Control Paenl & Pump	1		6147
Hose Kit	Complete Set of Hoses	1		70091
Hose, 8'	LR Jack Bottom to RR Jack Bottom	1	Orange/Yellow Stripe	2463
Hose, 10'	Pump to Jack, Left Rear Top	1	Orange Solid	2465
Hose, 10'	Pump to Jack, Left Rear Bottom	1	Orange Stripe	2465
Hose, 10'	Pump to Jack, Right Rear Top	1	Yellow Solid	2465
Hose, 12'	LF Jack Bottom to RF Jack Bottom	1	Brown/White Stripe	2467
Hose, 32'	Pump to Jack, Left Front Top	1	Brown Solid	2482
Hose, 32'	Pump to Jack, Left Front Bottom	1	Brown Stripe	2482
Hose, 34'	Pump to Jack, Right Front Top	1	White Solid	2484

**Options**


**Revisions**


**MY2019  
PRECEPT XL 36U 36T  
(Shipped to Jayco through 5/10/18)**



**Notes:**


Item, Length	Description / Location	Qty	Color	Equalizer Part No.
Kit	(Items listed below)	1		
Pump	4-Function, Jacks	1		7948KS
Jacks	7,500 lbs, 15" Stroke Jacks	4		7636
Touch Pad	Located in dash left of driver	1		3103
AL Controller	Attached to bottom of structure	1		3197U
Harness	Connects Controller & Touch Pad	1		6127U
Harness	Connects Controller & Pump	1		6799U
Hose Kit	Complete Set of Hoses	1		70091
Hose, 8'	LR Jack Bottom to RR Jack Bottom	1	Orange/Yellow Stripe	2463
Hose, 10'	Pump to Jack, Left Rear Top	1	Orange Solid	2465
Hose, 10'	Pump to Jack, Left Rear Bottom	1	Orange Stripe	2465
Hose, 10'	Pump to Jack, Right Rear Top	1	Yellow Solid	2465
Hose, 12'	LF Jack Bottom to RF Jack Bottom	1	Brown/White Stripe	2467
Hose, 32'	Pump to Jack, Left Front Top	1	Brown Solid	2482
Hose, 32'	Pump to Jack, Left Front Bottom	1	Brown Stripe	2482
Hose, 34'	Pump to Jack, Right Front Top	1	White Solid	2484

**Options**


**Revisions**


**MY2019  
PRECEPT XL 36U 36T  
(Shipped to Jayco after 5/10/18)**



**Notes:**

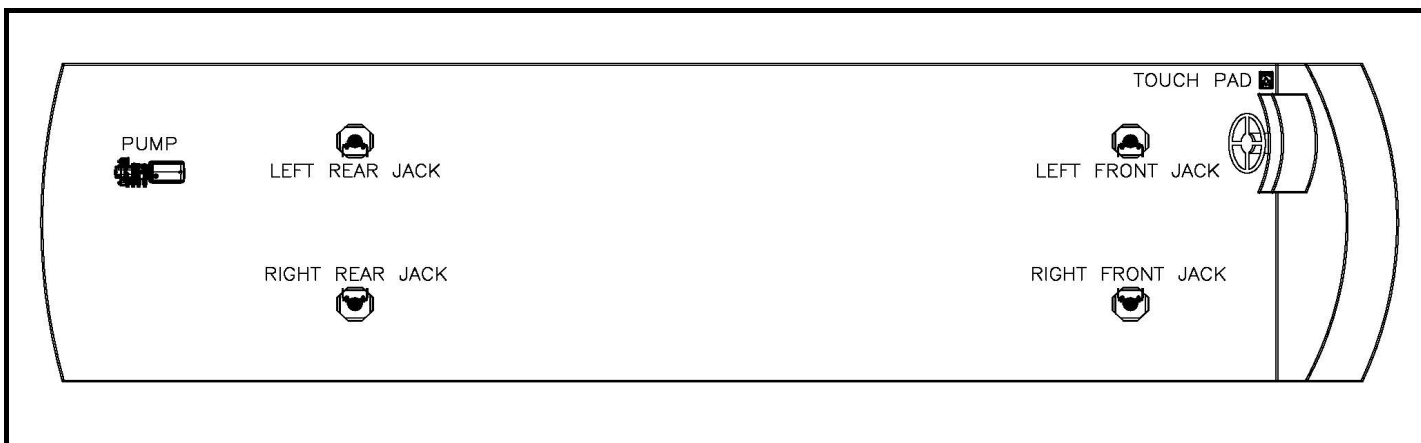
After May 10th, 2018 the controls were changed to Smart Level

Item, Length	Description / Location	Qty	Color	Equalizer Part No.
Kit	(Items listed below)	1		
Pump	4-Function, Jacks	1		7948KS
Jacks	7,500 lbs, 15" Stroke Jacks	4		7636
Control Panel	Located in dash left of driver	1		3197SBT
Harness	Connects Control Panel & Pump	1		6147
Hose Kit	Complete Set of Hoses	1		70091
Hose, 8'	LR Jack Bottom to RR Jack Bottom	1	Orange/Yellow Stripe	2463
Hose, 10'	Pump to Jack, Left Rear Top	1	Orange Solid	2465
Hose, 10'	Pump to Jack, Left Rear Bottom	1	Orange Stripe	2465
Hose, 10'	Pump to Jack, Right Rear Top	1	Yellow Solid	2465
Hose, 12'	LF Jack Bottom to RF Jack Bottom	1	Brown/White Stripe	2467
Hose, 32'	Pump to Jack, Left Front Top	1	Brown Solid	2482
Hose, 32'	Pump to Jack, Left Front Bottom	1	Brown Stripe	2482
Hose, 34'	Pump to Jack, Right Front Top	1	White Solid	2484

**Options**


**Revisions**


**MY2019  
EMBARK  
(Diesel)**



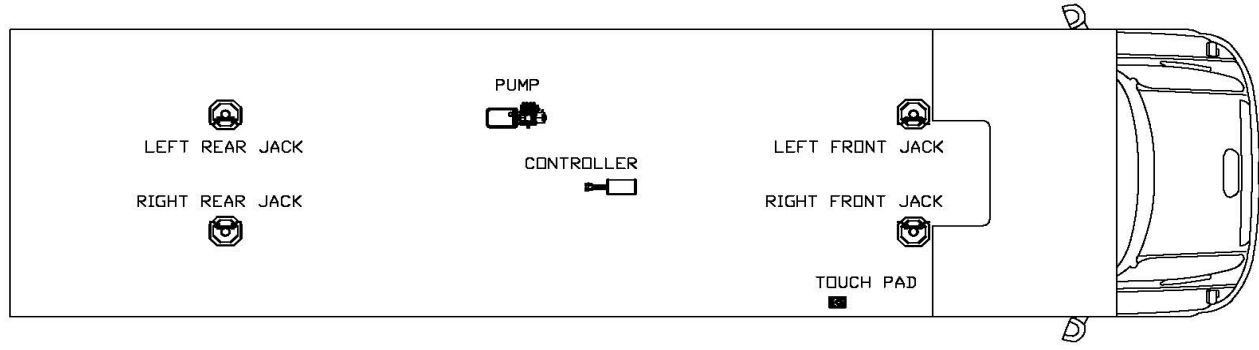
**Notes:**


Item, Length	Description / Location	Qty	Color	Equalizer Part No.
Kit	(Items listed below)	1		8769 & 8770A
Pump	4-Function, Jacks	1		7953KS
Jack	12,000 lbs, 16" Stroke	4		7214
Touch Pad	Located to the left of the drivers seat	1		3103
AL Controller	Attached to bottom of structure	1		2745U
Harness	Connects Pump to Controller	1		6799U
Harness	Connects Controller to Touch Pad	1		6800U
Hose Kit	Complete Set of Hoses	1		7547
Hose, 3'	Pump to Jack, Left Front Top	1	Brown Solid	2458
Hose, 4'	Pump to Jack, Left Front Bottom	1	Brown Stripe	2459
Hose, 8'	Pump to Jack, Right Front Top	1	White Solid	2463
Hose, 10'	Pump to Jack, Right Front Bottom	1	White Stripe	2465
Hose, 10'	LR Jack Bottom to RR Jack Bottom	1	Org. Stripe/Yel Stripe	2465
Hose, 34'	Pump to Jack, Right Rear Top	1	Yellow Solid	2484
Hose, 36'	Pump to Jack, Right Rear Bottom	1	Yellow Stripe	2486
Hose, 36'	Pump to Jack, Left Rear Top	1	Orange Solid	2486

**Options**


**Revisions**


**JAYCO MY2020  
SENECA - 37K, 37HJ, 37RB, 37TS, 37L**



**Notes:**


Item, Length	Description / Location	Qty	Color	Equalizer Part No.
Kit	(Items listed below)	1		
Pump	4-Function, Jacks	1		7948KS
Jacks	12,000 lbs, 16" Stroke Jacks	4		7214
Control Panel	Located near entry door	1		3197SBT
Harness	Connects Control Panel & Pump	1		6133-30
Hose Kit	Complete Set of Hoses	1		7952
Hose, 8'	LF Jack Bottom to RF Jack Bottom	1	Brown/White Stripe	2463
Hose, 8'	LR Jack Bottom to RR Jack Bottom	1	Orange/Yellow Stripe	2463
Hose, 10'	Pump to Jack, Left Rear Top	1	Orange Solid	2465
Hose, 10'	Pump to Jack, Left Rear Bottom	1	Orange Stripe	2465
Hose, 12'	Pump to Jack, Right Rear Top	1	Yellow Solid	2467
Hose, 16'	Pump to Jack, Left Front Top	1	Brown Solid	2471
Hose, 18'	Pump to Jack, Left Front Bottom	1	Brown Stripe	2473
Hose, 18'	Pump to Jack, Right Front Top	1	White Solid	2473


**Options**


**Revisions**


**JAYCO MY2020  
ALANTE - 26X**



**Notes:**

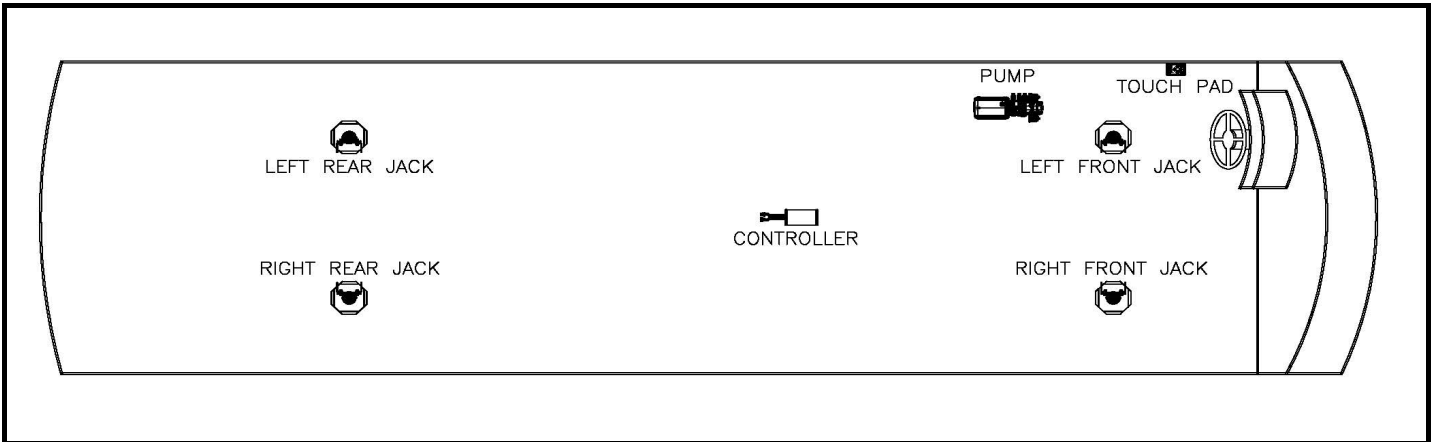

Item, Length	Description / Location	Qty	Color	Equalizer Part No.
Kit	(Items listed below)	1		
Pump	4-Function, Jacks	1		7960KS
Jacks	7,500 lbs, 15" Stroke Jacks	4		7636
Control Panel	Located in dash left of driver	1		3197SBT
Harness	Connects Control Panel & Pump	1		6147
Hose Kit	Complete Set of Hoses	1		70109
Hose, 4'	Pump to Jack, Right Rear Top	1	Yellow Solid	2459
Hose, 4'	Pump to Jack, Right Rear Bottom	1	Yellow Stripe	2459
Hose, 8'	LR Jack Bottom to RR Jack Bottom	1	Orange/Yellow Stripe	2463
Hose, 8'	Pump to Jack, Left Rear Top	1	Orange Solid	2463
Hose, 12'	LF Jack Bottom to RF Jack Bottom	1	Brown/White Stripe	2467
Hose, 18'	Pump to Jack, Right Front Top	1	White Solid	2473
Hose, 18'	Pump to Jack, Right Front Bottom	1	White Stripe	2473
Hose, 22'	Pump to Jack, Left Front Top	1	Brown Solid	2476

**Options**


**Revisions**




**JAYCO MY2020  
ALANTE - 27A**



**Notes:**

---



---



---



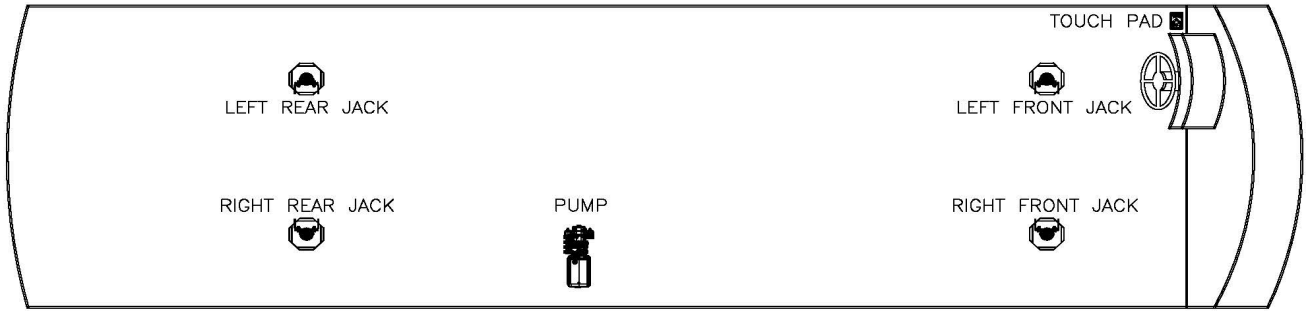
---



---

Item, Length	Description / Location	Qty	Color	Equalizer Part No.
Kit	(Items listed below)	1		
Pump	4-Function, Jacks	1		7948KS
Jacks	7,500 lbs, 15" Stroke Jacks	4		7636
Control Panel	Located in dash left of driver	1		3197SBT
Harness	Connects Control Panel & Pump	1		6147
Hose Kit	Complete Set of Hoses	1		70239
Hose, 8'	Pump to Jack, Left Front Top	1	Brown Solid	2463
Hose, 8'	Pump to Jack, Left Front Bottom	1	Brown Stripe	2463
Hose, 8'	LR Jack Bottom to RR Jack Bottom	1	Orange/Yellow Stripe	2463
Hose, 12'	LF Jack Bottom to RF Jack Bottom	1	Brown/White Stripe	2467
Hose, 14'	Pump to Jack, Right Front Top	1	White Solid	2469
Hose, 16'	Pump to Jack, Left Rear Top	1	Orange Solid	2471
Hose, 18'	Pump to Jack, Left Rear Bottom	1	Orange Stripe	2473
Hose, 20'	Pump to Jack, Right Rear Top	1	Yellow Solid	2475
<b>Options</b>				
<b>Revisions</b>				

**JAYCO MY2020  
ALANTE - 29S**



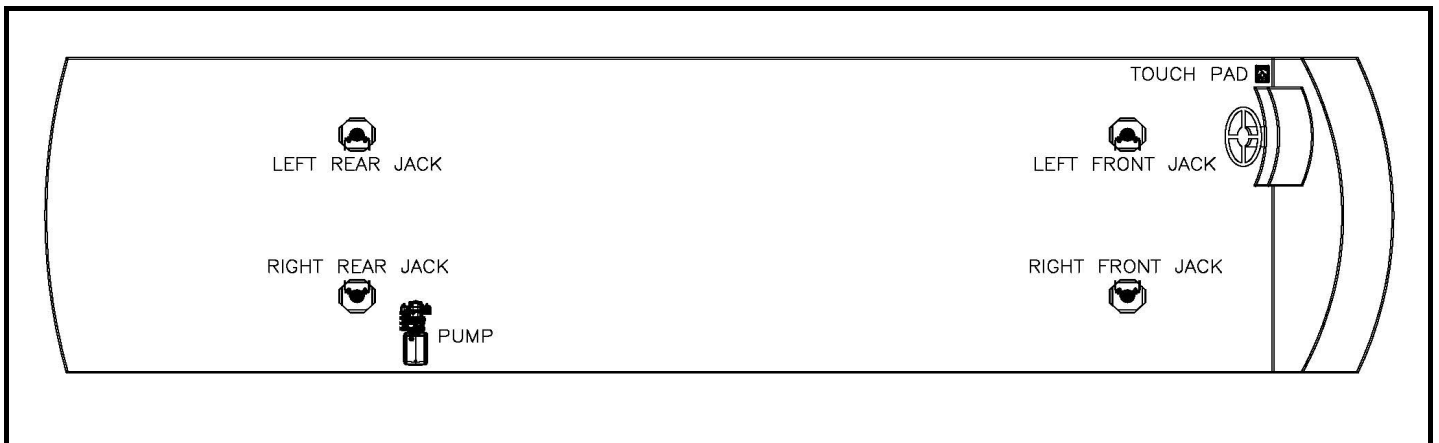
**Notes:**


Item, Length	Description / Location	Qty	Color	Equalizer Part No.
Kit	(Items listed below)	1		
Pump	4-Function, Jacks	1		7960KS
Jacks	7,500 lbs, 15" Stroke Jacks	4		7636
Control Panel	Located in dash left of driver	1		3197SBT
Harness	Connects Control Panel & Pump	1		6147
Hose Kit	Complete Set of Hoses	1		70111
Hose, 8'	LR Jack Bottom to RR Jack Bottom	1	Orange/Yellow Stripe	2463
Hose, 10'	Pump to Jack, Right Rear Top	1	Yellow Solid	2465
Hose, 10'	Pump to Jack, Right Rear Bottom	1	Yellow Stripe	2465
Hose, 12'	LF Jack Bottom to RF Jack Bottom	1	Brown/White Stripe	2467
Hose, 12'	Pump to Jack, Right Front Top	1	White Solid	2467
Hose, 14'	Pump to Jack, Right Front Bottom	1	White Stripe	2469
Hose, 14'	Pump to Jack, Left Rear Top	1	Orange Solid	2469
Hose, 16'	Pump to Jack, Left Front Top	1	Brown Solid	2471

**Options**


**Revisions**


**JAYCO MY2020  
ALANTE - 29F, 31V**



**Notes:**

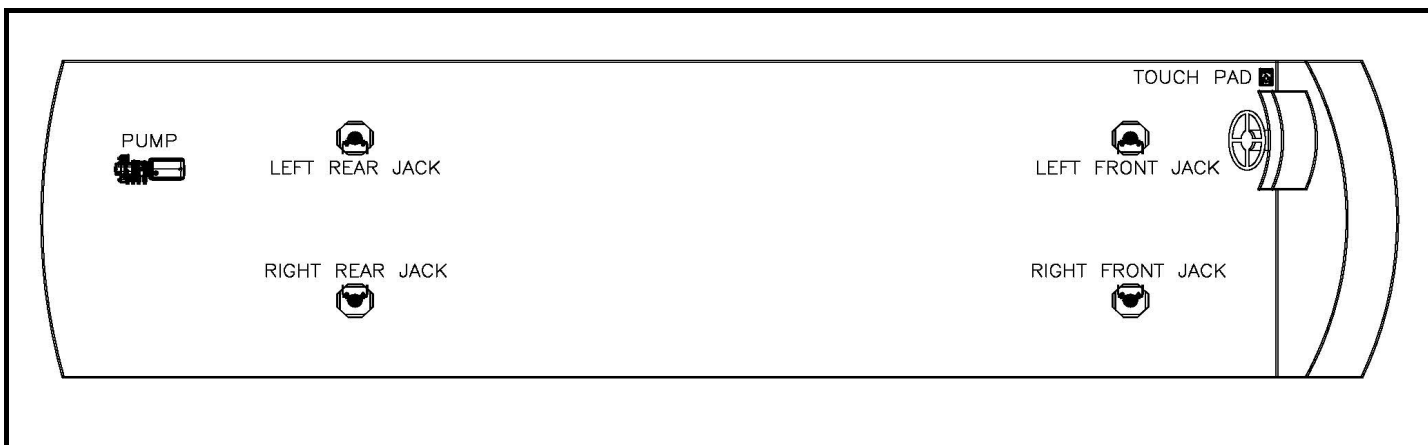
After May 10th, 2018 the controls were changed to Smart Level

Item, Length	Description / Location	Qty	Color	Equalizer Part No.
Kit	(Items listed below)	1		
Pump	4-Function, Jacks	1		7960KS
Jacks	7,500 lbs, 15" Stroke Jacks	4		7636
Control Panel	Located in dash left of driver	1		3197SBT
Harness	Connects Control Panel & Pump	1		6147
Hose Kit	Complete Set of Hoses	1		70110
Hose, 4'	Pump to Jack, Right Rear Top	1	Yellow Solid	2459
Hose, 4'	Pump to Jack, Right Rear Bottom	1	Yellow Stripe	2459
Hose, 8'	LR Jack Bottom to RR Jack Bottom	1	Orange/Yellow Stripe	2463
Hose, 8'	Pump to Jack, Left Rear Top	1	Orange Solid	2463
Hose, 12'	LF Jack Bottom to RF Jack Bottom	1	Brown/White Stripe	2467
Hose, 22'	Pump to Jack, Right Front Top	1	White Solid	2476
Hose, 22'	Pump to Jack, Right Front Bottom	1	White Stripe	2476
Hose, 24'	Pump to Jack, Left Front Top	1	Brown Solid	2478

**Options**


**Revisions**


**JAYCO MY2020  
PRECEPT - 29V, 31UL, 34G, 33B**



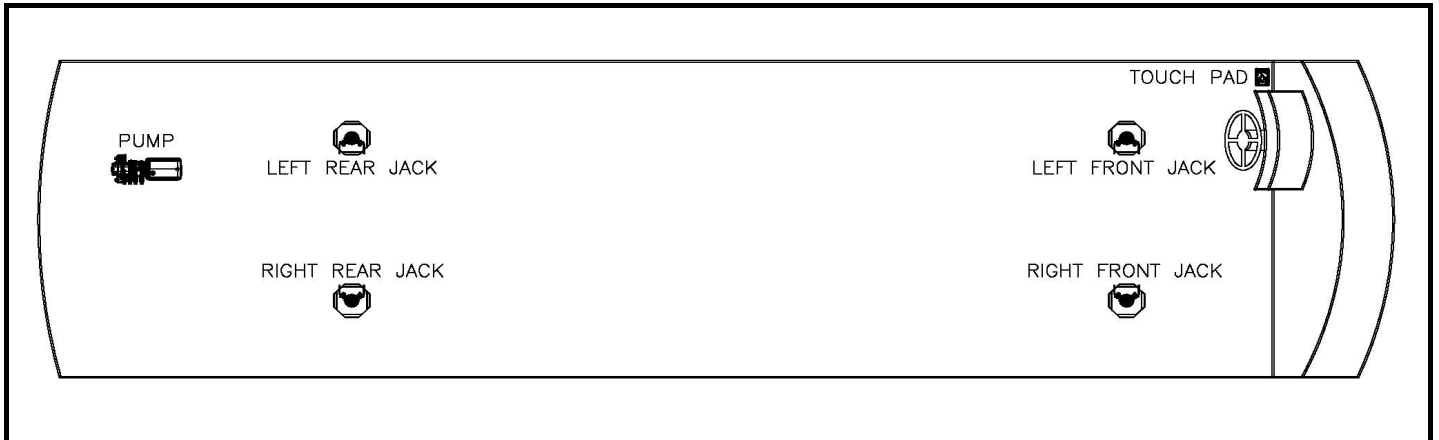
**Notes:**


Item, Length	Description / Location	Qty	Color	Equalizer Part No.
Kit	(Items listed below)	1		
Pump	4-Function, Jacks	1		7948KS
Jacks	7,500 lbs, 15" Stroke Jacks	4		7636
Control Panel	Located in dash left of driver	1		3197SBT
Harness	Connects Control Panel & Pump	1		6147
Hose Kit	Complete Set of Hoses	1		70112
Hose, 8'	LR Jack Bottom to RR Jack Bottom	1	Orange/Yellow Stripe	2463
Hose, 10'	Pump to Jack, Left Rear Top	1	Orange Solid	2465
Hose, 10'	Pump to Jack, Left Rear Bottom	1	Orange Stripe	2465
Hose, 12'	Pump to Jack, Right Rear Top	1	Yellow Solid	2467
Hose, 12'	LF Jack Bottom to RF Jack Bottom	1	Brown/White Stripe	2467
Hose, 30'	Pump to Jack, Left Front Top	1	Brown Solid	2527
Hose, 30'	Pump to Jack, Left Front Bottom	1	Brown Stripe	2527
Hose, 34'	Pump to Jack, Right Front Top	1	White Solid	2482

**Options**


**Revisions**


**JAYCO MY2020  
PRECEPT - 36A**



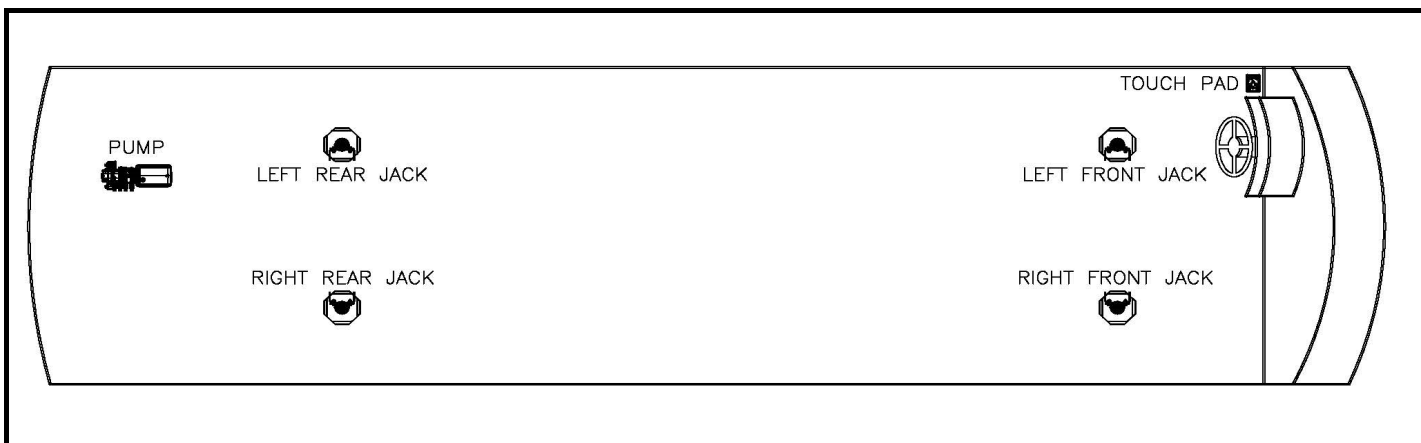
**Notes:**


Item, Length	Description / Location	Qty	Color	Equalizer Part No.
Kit	(Items listed below)	1		
Pump	4-Function, Jacks	1		7948KS
Jacks	7,500 lbs, 15" Stroke Jacks	4		7636
Control Panel	Located in dash left of driver	1		3197SBT
Harness	Connects Control Paenl & Pump	1		6147
Hose Kit	Complete Set of Hoses	1		70091
Hose, 8'	LR Jack Bottom to RR Jack Bottom	1	Orange/Yellow Stripe	2463
Hose, 10'	Pump to Jack, Left Rear Top	1	Orange Solid	2465
Hose, 10'	Pump to Jack, Left Rear Bottom	1	Orange Stripe	2465
Hose, 10'	Pump to Jack, Right Rear Top	1	Yellow Solid	2465
Hose, 12'	LF Jack Bottom to RF Jack Bottom	1	Brown/White Stripe	2467
Hose, 32'	Pump to Jack, Left Front Top	1	Brown Solid	2482
Hose, 32'	Pump to Jack, Left Front Bottom	1	Brown Stripe	2482
Hose, 36'	Pump to Jack, Right Front Top	1	White Solid	2486

**Options**


**Revisions**


**JAYCO MY2020  
PRECEPT PRESTIGE - 36B, 36U, 36H**



**Notes:**

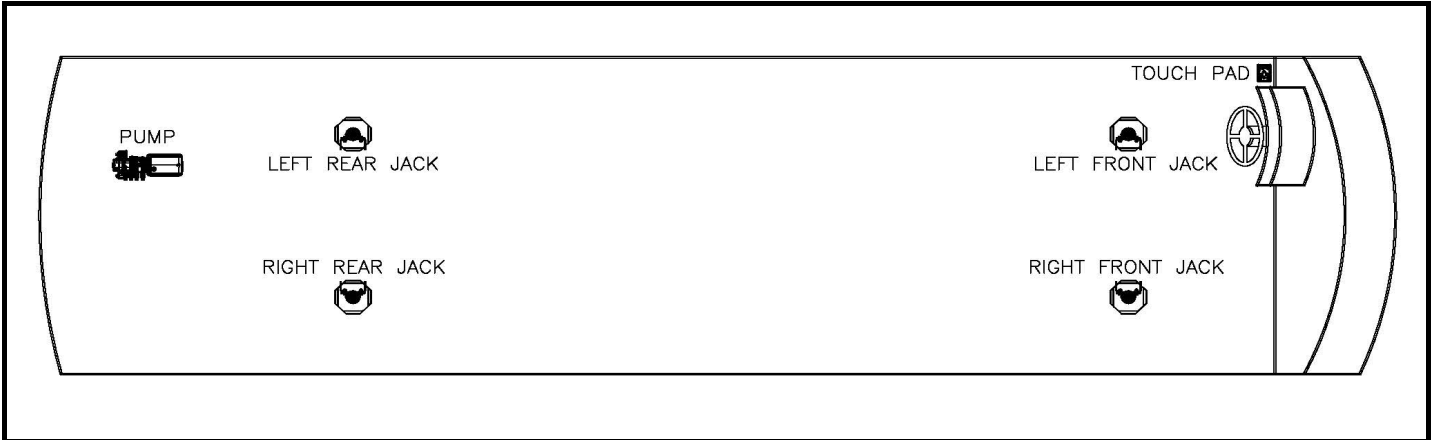
After May 10th, 2018 the controls were changed to Smart Level

Item, Length	Description / Location	Qty	Color	Equalizer Part No.
Kit	(Items listed below)	1		
Pump	4-Function, Jacks	1		7948KS
Jacks	7,500 lbs, 15" Stroke Jacks	4		7636
Control Panel	Located in dash left of driver	1		3197SBT
Harness	Connects Control Panel & Pump	1		6147
Hose Kit	Complete Set of Hoses	1		70091
Hose, 8'	LR Jack Bottom to RR Jack Bottom	1	Orange/Yellow Stripe	2463
Hose, 10'	Pump to Jack, Left Rear Top	1	Orange Solid	2465
Hose, 10'	Pump to Jack, Left Rear Bottom	1	Orange Stripe	2465
Hose, 10'	Pump to Jack, Right Rear Top	1	Yellow Solid	2465
Hose, 12'	LF Jack Bottom to RF Jack Bottom	1	Brown/White Stripe	2467
Hose, 32'	Pump to Jack, Left Front Top	1	Brown Solid	2482
Hose, 32'	Pump to Jack, Left Front Bottom	1	Brown Stripe	2482
Hose, 36'	Pump to Jack, Right Front Top	1	White Solid	2486

**Options**


**Revisions**


**JAYCO MY2020**  
**EMBARK - 37MB, 39BH, 39T2, 37K**  
**(Diesel)**



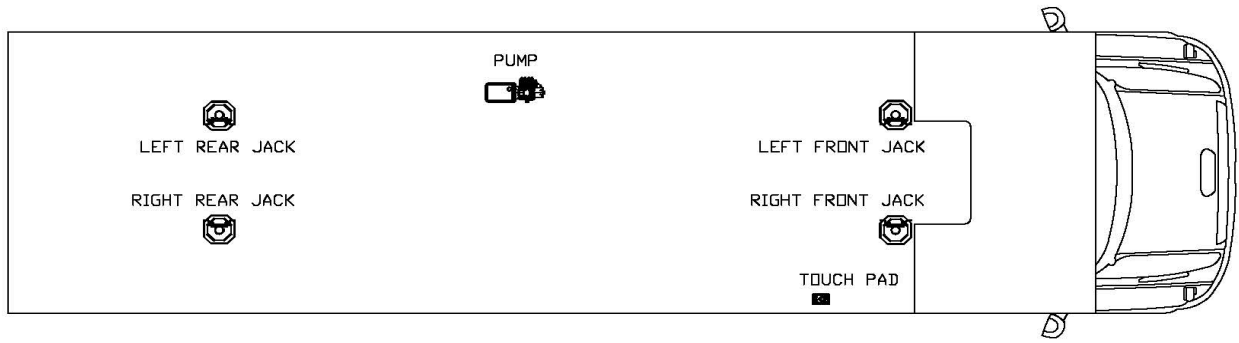
**Notes:**


Item, Length	Description / Location	Qty	Color	Equalizer Part No.
Kit	(Items listed below)	1		
Pump	4-Function, Jacks	1		7953KS
Jack	12,000 lbs, 16" Stroke	4		7214
Touch Pad	Located to the left of the drivers seat	1		3103
AL Controller	Attached to bottom of structure	1		2745U
Harness	Connects Pump to Controller	1		6799U
Harness	Connects Controller to Touch Pad	1		6800U
Hose Kit	Complete Set of Hoses	1		7547
Hose, 3'	Pump to Jack, Left Front Top	1	Brown Solid	2458
Hose, 4'	Pump to Jack, Left Front Bottom	1	Brown Stripe	2459
Hose, 8'	Pump to Jack, Right Front Top	1	White Solid	2463
Hose, 10'	Pump to Jack, Right Front Bottom	1	White Stripe	2465
Hose, 10'	LR Jack Bottom to RR Jack Bottom	1	Org. Stripe/Yel Stripe	2465
Hose, 34'	Pump to Jack, Right Rear Top	1	Yellow Solid	2484
Hose, 36'	Pump to Jack, Right Rear Bottom	1	Yellow Stripe	2486
Hose, 36'	Pump to Jack, Left Rear Top	1	Orange Solid	2486

**Options**


**Revisions**


**JAYCO MY2021  
SENECA - 37K, 37HJ, 37RB, 37TS, 37L  
SENECA PRESTIGE-37K, 37L, 37M**



**Notes:**


Item, Length	Description / Location	Qty	Color	Equalizer Part No.
Kit	(Items listed below)	1		
Pump	4-Function, Jacks	1		7948KS
Jacks	12,000 lbs, 16" Stroke Jacks	4		7214
Control Panel	Located near entry door	1		3197SBT
Harness	Connects Control Panel & Pump	1		6133-30
Hose Kit	Complete Set of Hoses	1		7952
Hose, 8'	LF Jack Bottom to RF Jack Bottom	1	Brown/White Stripe	2463
Hose, 8'	LR Jack Bottom to RR Jack Bottom	1	Orange/Yellow Stripe	2463
Hose, 10'	Pump to Jack, Left Rear Top	1	Orange Solid	2465
Hose, 10'	Pump to Jack, Left Rear Bottom	1	Orange Stripe	2465
Hose, 12'	Pump to Jack, Right Rear Top	1	Yellow Solid	2467
Hose, 16'	Pump to Jack, Left Front Top	1	Brown Solid	2471
Hose, 18'	Pump to Jack, Left Front Bottom	1	Brown Stripe	2473
Hose, 18'	Pump to Jack, Right Front Top	1	White Solid	2473

**Options**


**Revisions**




**JAYCO MY2021  
ALANTE - 26X**



**Notes:**


Item, Length	Description / Location	Qty	Color	Equalizer Part No.
Kit	(Items listed below)	1		
Pump	4-Function, Jacks	1		7960KS
Jacks	7,500 lbs, 15" Stroke Jacks	4		7636
Control Panel	Located in dash left of driver	1		3197SBT
Harness	Connects Control Panel & Pump	1		6147
Hose Kit	Complete Set of Hoses	1		70109
Hose, 4'	Pump to Jack, Right Rear Top	1	Yellow Solid	2459
Hose, 4'	Pump to Jack, Right Rear Bottom	1	Yellow Stripe	2459
Hose, 8'	LR Jack Bottom to RR Jack Bottom	1	Orange/Yellow Stripe	2463
Hose, 8'	Pump to Jack, Left Rear Top	1	Orange Solid	2463
Hose, 12'	LF Jack Bottom to RF Jack Bottom	1	Brown/White Stripe	2467
Hose, 18'	Pump to Jack, Right Front Top	1	White Solid	2473
Hose, 18'	Pump to Jack, Right Front Bottom	1	White Stripe	2473
Hose, 20'	Pump to Jack, Left Front Top	1	Brown Solid	2475

**Options**


**Revisions**


**JAYCO MY2021  
ALANTE - 27A**



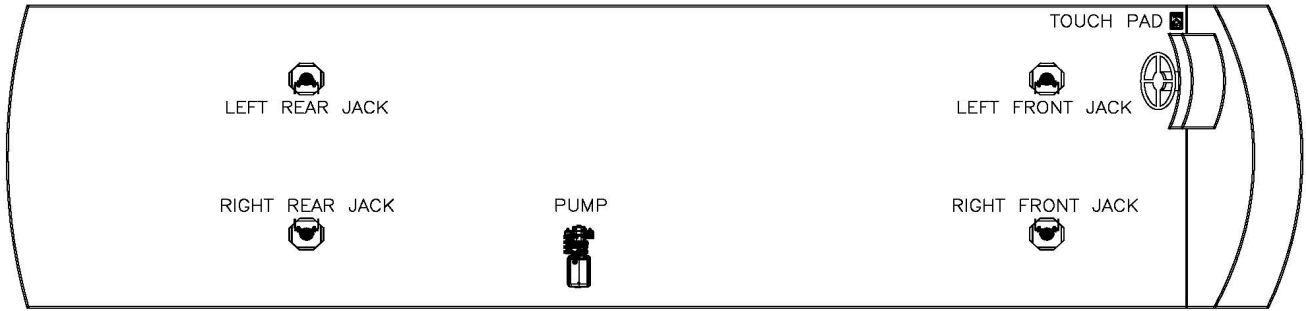
**Notes:**


Item, Length	Description / Location	Qty	Color	Equalizer Part No.
Kit	(Items listed below)	1		
Pump	4-Function, Jacks	1		7948KS
Jacks	7,500 lbs, 15" Stroke Jacks	4		7636
Control Panel	Located in dash left of driver	1		3197SBT
Harness	Connects Control Panel & Pump	1		6147
Hose Kit	Complete Set of Hoses	1		70239
Hose, 8'	Pump to Jack, Left Front Top	1	Brown Solid	2463
Hose, 8'	Pump to Jack, Left Front Bottom	1	Brown Stripe	2463
Hose, 8'	LR Jack Bottom to RR Jack Bottom	1	Orange/Yellow Stripe	2463
Hose, 12'	LF Jack Bottom to RF Jack Bottom	1	Brown/White Stripe	2467
Hose, 14'	Pump to Jack, Right Front Top	1	White Solid	2469
Hose, 16'	Pump to Jack, Left Rear Top	1	Orange Solid	2471
Hose, 18'	Pump to Jack, Left Rear Bottom	1	Orange Stripe	2473
Hose, 20'	Pump to Jack, Right Rear Top	1	Yellow Solid	2475


Options				

Revisions				

**JAYCO MY2021  
ALANTE - 29S**



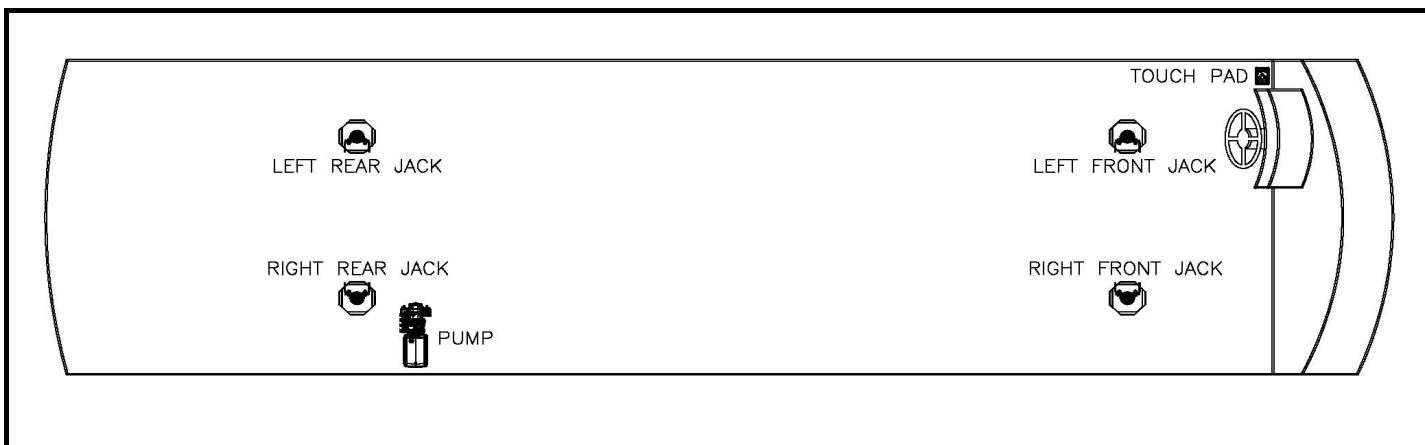
**Notes:**


Item, Length	Description / Location	Qty	Color	Equalizer Part No.
Kit	(Items listed below)	1		
Pump	4-Function, Jacks	1		7960KS
Jacks	7,500 lbs, 15" Stroke Jacks	4		7636
Control Panel	Located in dash left of driver	1		3197SBT
Harness	Connects Control Panel & Pump	1		6147
Hose Kit	Complete Set of Hoses	1		70111
Hose, 8'	LR Jack Bottom to RR Jack Bottom	1	Orange/Yellow Stripe	2463
Hose, 10'	Pump to Jack, Right Rear Top	1	Yellow Solid	2465
Hose, 10'	Pump to Jack, Right Rear Bottom	1	Yellow Stripe	2465
Hose, 12'	LF Jack Bottom to RF Jack Bottom	1	Brown/White Stripe	2467
Hose, 12'	Pump to Jack, Right Front Top	1	White Solid	2467
Hose, 14'	Pump to Jack, Right Front Bottom	1	White Stripe	2469
Hose, 14'	Pump to Jack, Left Rear Top	1	Orange Solid	2469
Hose, 16'	Pump to Jack, Left Front Top	1	Brown Solid	2471

**Options**


**Revisions**


JAYCO MY2021  
ALANTE - 29F, 31V



**Notes:**

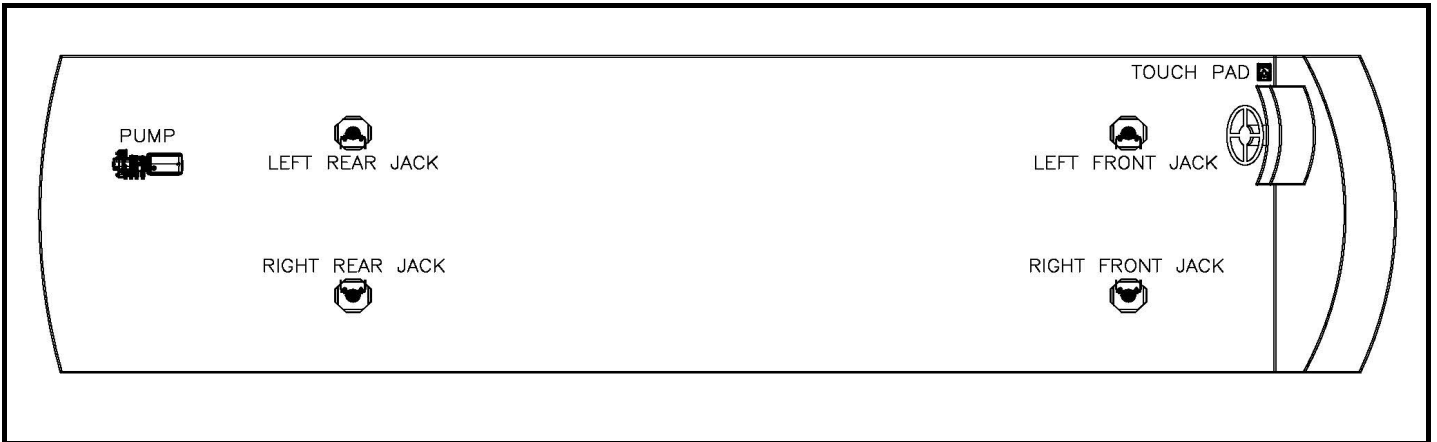
After May 10th, 2018 the controls were changed to Smart Level

Item, Length	Description / Location	Qty	Color	Equalizer Part No.
Kit	(Items listed below)	1		
Pump	4-Function, Jacks	1		7960KS
Jacks	7,500 lbs, 15" Stroke Jacks	4		7636
Control Panel	Located in dash left of driver	1		3197SBT
Harness	Connects Control Panel & Pump	1		6147
Hose Kit	Complete Set of Hoses	1		70110
Hose, 4'	Pump to Jack, Right Rear Top	1	Yellow Solid	2459
Hose, 4'	Pump to Jack, Right Rear Bottom	1	Yellow Stripe	2459
Hose, 8'	LR Jack Bottom to RR Jack Bottom	1	Orange/Yellow Stripe	2463
Hose, 8'	Pump to Jack, Left Rear Top	1	Orange Solid	2463
Hose, 12'	LF Jack Bottom to RF Jack Bottom	1	Brown/White Stripe	2467
Hose, 22'	Pump to Jack, Right Front Top	1	White Solid	2476
Hose, 22'	Pump to Jack, Right Front Bottom	1	White Stripe	2476
Hose, 24'	Pump to Jack, Left Front Top	1	Brown Solid	2478

**Options**


**Revisions**


**JAYCO MY2021  
PRECEPT - 29V, 31UL, 34G, 36B**



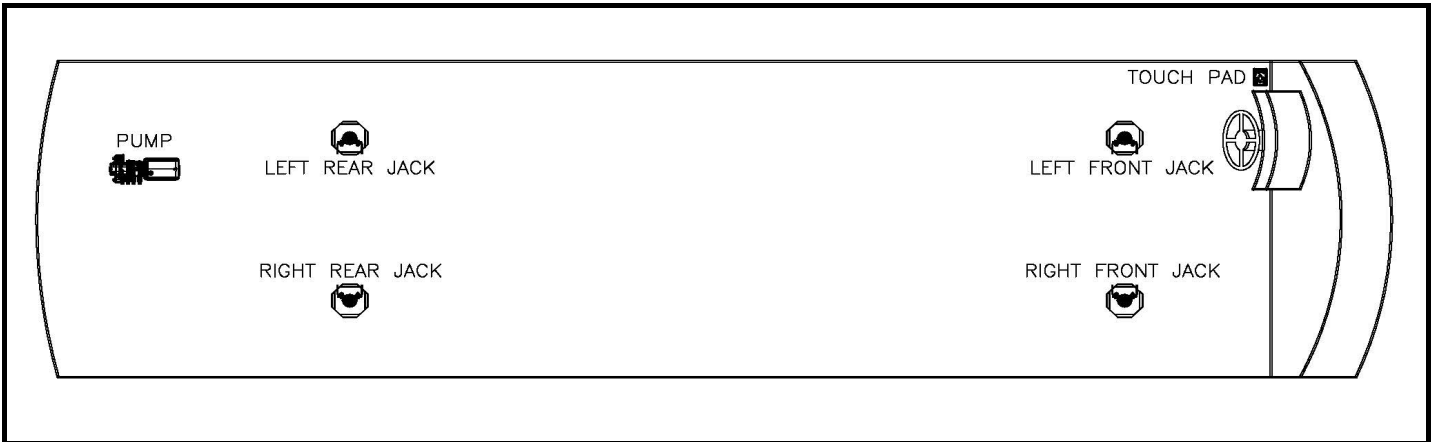
**Notes:**


Item, Length	Description / Location	Qty	Color	Equalizer Part No.
Kit	(Items listed below)	1		
Pump	4-Function, Jacks	1		7948KS
Jacks	7,500 lbs, 15" Stroke Jacks	4		7636
Control Panel	Located in dash left of driver	1		3197SBT
Harness	Connects Control Panel & Pump	1		6147
Hose Kit	Complete Set of Hoses	1		70112
Hose, 8'	LR Jack Bottom to RR Jack Bottom	1	Orange/Yellow Stripe	2463
Hose, 14'	Pump to Jack, Left Rear Top	1	Orange Solid	2469
Hose, 14'	Pump to Jack, Left Rear Bottom	1	Orange Stripe	2469
Hose, 16'	Pump to Jack, Right Rear Top	1	Yellow Solid	2471
Hose, 12'	LF Jack Bottom to RF Jack Bottom	1	Brown/White Stripe	2467
Hose, 34'	Pump to Jack, Left Front Top	1	Brown Solid	2484
Hose, 34'	Pump to Jack, Left Front Bottom	1	Brown Stripe	2484
Hose, 38'	Pump to Jack, Right Front Top	1	White Solid	2488

**Options**


**Revisions**


**JAYCO MY2021  
PRECEPT - 36A**



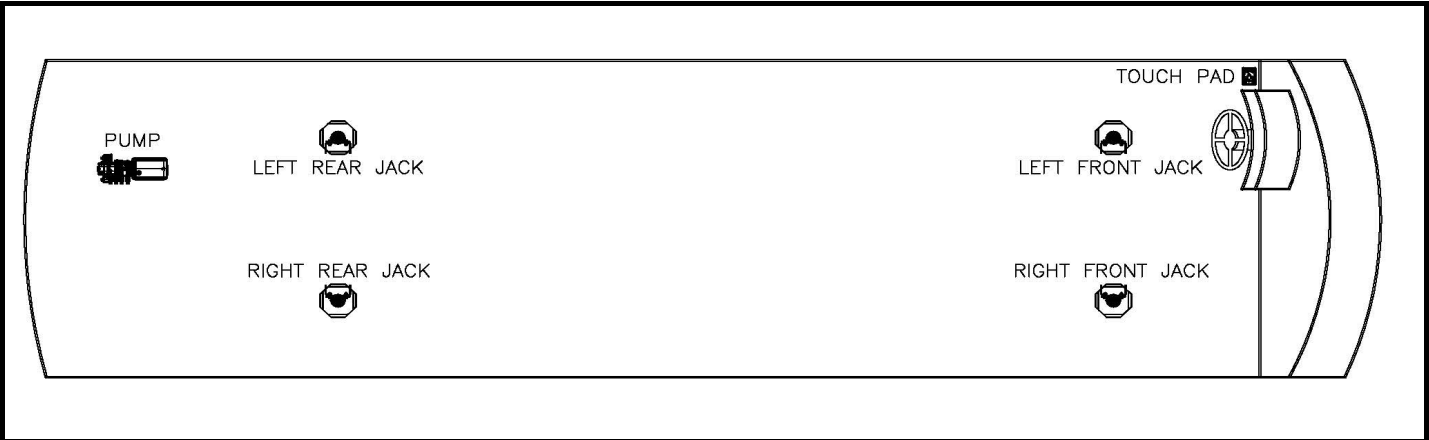
**Notes:**


Item, Length	Description / Location	Qty	Color	Equalizer Part No.
Kit	(Items listed below)	1		
Pump	4-Function, Jacks	1		7948KS
Jacks	7,500 lbs, 15" Stroke Jacks	4		7636
Control Panel	Located in dash left of driver	1		3197SBT
Harness	Connects Control Paenl & Pump	1		6147
Hose Kit	Complete Set of Hoses	1		70091
Hose, 8'	LR Jack Bottom to RR Jack Bottom	1	Orange/Yellow Stripe	2463
Hose, 14'	Pump to Jack, Left Rear Top	1	Orange Solid	2469
Hose, 14'	Pump to Jack, Left Rear Bottom	1	Orange Stripe	2469
Hose, 14'	Pump to Jack, Right Rear Top	1	Yellow Solid	2469
Hose, 12'	LF Jack Bottom to RF Jack Bottom	1	Brown/White Stripe	2467
Hose, 36'	Pump to Jack, Left Front Top	1	Brown Solid	2486
Hose, 36'	Pump to Jack, Left Front Bottom	1	Brown Stripe	2486
Hose, 40'	Pump to Jack, Right Front Top	1	White Solid	2490

**Options**


**Revisions**


**JAYCO MY2021  
PRECEPT PRESTIGE - 36B, 36U, 36H**



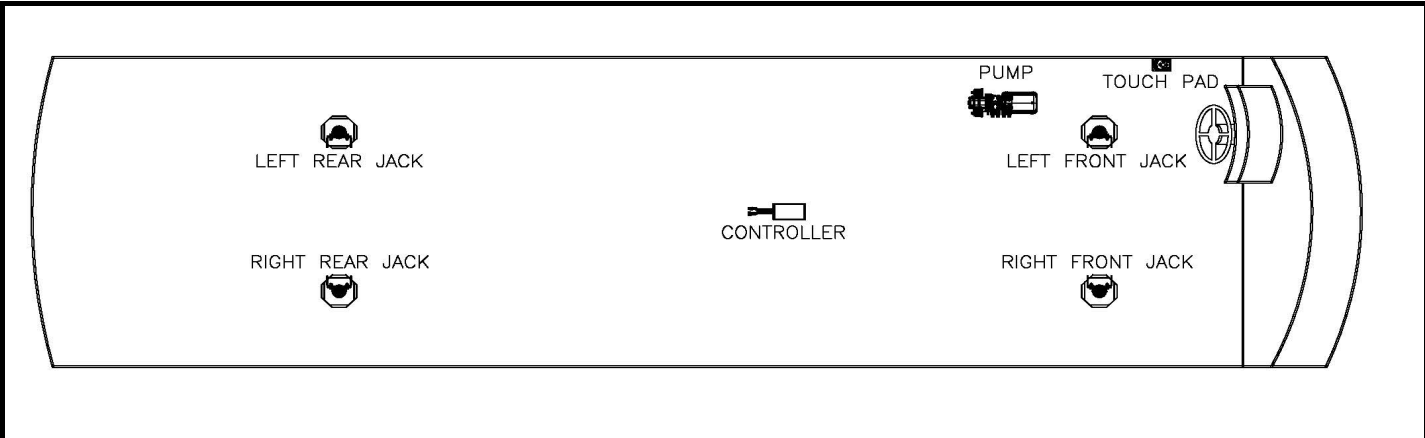
**Notes:**  
After May 10th, 2018 the controls were changed to Smart Level

Item, Length	Description / Location	Qty	Color	Equalizer Part No.
Kit	(Items listed below)	1		
Pump	4-Function, Jacks	1		7948KS
Jacks	7,500 lbs, 15" Stroke Jacks	4		7636
Control Panel	Located in dash left of driver	1		3197SBT
Harness	Connects Control Panel & Pump	1		6147
Hose Kit	Complete Set of Hoses	1		70091
Hose, 8'	LR Jack Bottom to RR Jack Bottom	1	Orange/Yellow Stripe	2463
Hose, 14'	Pump to Jack, Left Rear Top	1	Orange Solid	2469
Hose, 14'	Pump to Jack, Left Rear Bottom	1	Orange Stripe	2469
Hose, 14'	Pump to Jack, Right Rear Top	1	Yellow Solid	2469
Hose, 12'	LF Jack Bottom to RF Jack Bottom	1	Brown/White Stripe	2467
Hose, 36'	Pump to Jack, Left Front Top	1	Brown Solid	2486
Hose, 36'	Pump to Jack, Left Front Bottom	1	Brown Stripe	2486
Hose, 40'	Pump to Jack, Right Front Top	1	White Solid	2490

Options				

Revisions				

**JAYCO MY2021  
EMBARK - 39BH, 39T2, 37K  
(Diesel)**

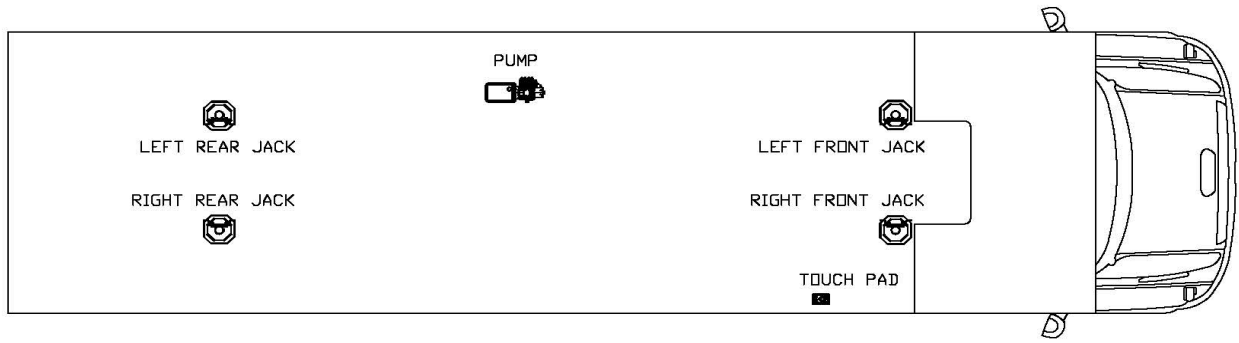


**Notes:**


Item, Length	Description / Location	Qty	Color	Equalizer Part No.
Kit	(Items listed below)	1		
Pump	4-Function, Jacks	1		7953KS
Jack	12,000 lbs, 16" Stroke	4		7214
Touch Pad	Located to the left of the drivers seat	1		3103
AL Controller	Attached to bottom of structure	1		2745U
Harness	Connects Pump to Controller	1		6799U
Harness	Connects Controller to Touch Pad	1		6800U
Hose Kit	Complete Set of Hoses	1		7547
Hose, 3'	Pump to Jack, Left Front Top	1	Brown Solid	2458
Hose, 4'	Pump to Jack, Left Front Bottom	1	Brown Stripe	2459
Hose, 8'	Pump to Jack, Right Front Top	1	White Solid	2463
Hose, 10'	Pump to Jack, Right Front Bottom	1	White Stripe	2465
Hose, 10'	LR Jack Bottom to RR Jack Bottom	1	Org. Stripe/Yel Stripe	2465
Hose, 34'	Pump to Jack, Right Rear Top	1	Yellow Solid	2484
Hose, 36'	Pump to Jack, Right Rear Bottom	1	Yellow Stripe	2486
Hose, 36'	Pump to Jack, Left Rear Top	1	Orange Solid	2486
<b>Options</b>				
<b>Revisions</b>				



**JAYCO MY2022**  
**SENECA - 37K, 37RB, 37TS, 37L, 37M**  
**SENECA PRESTIGE-37K, 37L, 37M**



**Notes:**


Item, Length	Description / Location	Qty	Color	Equalizer Part No.
Kit	(Items listed below)	1		
Pump	4-Function, Jacks	1		7948KS
Jacks	12,000 lbs, 16" Stroke Jacks	4		7214
Control Panel	Located near entry door	1		3197SBT
Harness	Connects Control Panel & Pump	1		6133-30
Hose Kit	Complete Set of Hoses	1		7952
Hose, 8'	LF Jack Bottom to RF Jack Bottom	1	Brown/White Stripe	2463
Hose, 8'	LR Jack Bottom to RR Jack Bottom	1	Orange/Yellow Stripe	2463
Hose, 10'	Pump to Jack, Left Rear Top	1	Orange Solid	2465
Hose, 10'	Pump to Jack, Left Rear Bottom	1	Orange Stripe	2465
Hose, 12'	Pump to Jack, Right Rear Top	1	Yellow Solid	2467
Hose, 16'	Pump to Jack, Left Front Top	1	Brown Solid	2471
Hose, 18'	Pump to Jack, Left Front Bottom	1	Brown Stripe	2473
Hose, 18'	Pump to Jack, Right Front Top	1	White Solid	2473

**Options**


**Revisions**


**JAYCO MY2022  
ALANTE - 26X**



**Notes:**


Item, Length	Description / Location	Qty	Color	Equalizer Part No.
Kit	(Items listed below)	1		
Pump	4-Function, Jacks	1		7960KS
Jacks	7,500 lbs, 15" Stroke Jacks	4		7636
Control Panel	Located in dash left of driver	1		3197SBT
Harness	Connects Control Panel & Pump	1		6147
Hose Kit	Complete Set of Hoses	1		70109
Hose, 4'	Pump to Jack, Right Rear Top	1	Yellow Solid	2459
Hose, 4'	Pump to Jack, Right Rear Bottom	1	Yellow Stripe	2459
Hose, 8'	LR Jack Bottom to RR Jack Bottom	1	Orange/Yellow Stripe	2463
Hose, 8'	Pump to Jack, Left Rear Top	1	Orange Solid	2463
Hose, 12'	LF Jack Bottom to RF Jack Bottom	1	Brown/White Stripe	2467
Hose, 18'	Pump to Jack, Right Front Top	1	White Solid	2473
Hose, 18'	Pump to Jack, Right Front Bottom	1	White Stripe	2473
Hose, 20'	Pump to Jack, Left Front Top	1	Brown Solid	2475

**Options**


**Revisions**


**JAYCO MY2022  
ALANTE - 27A**



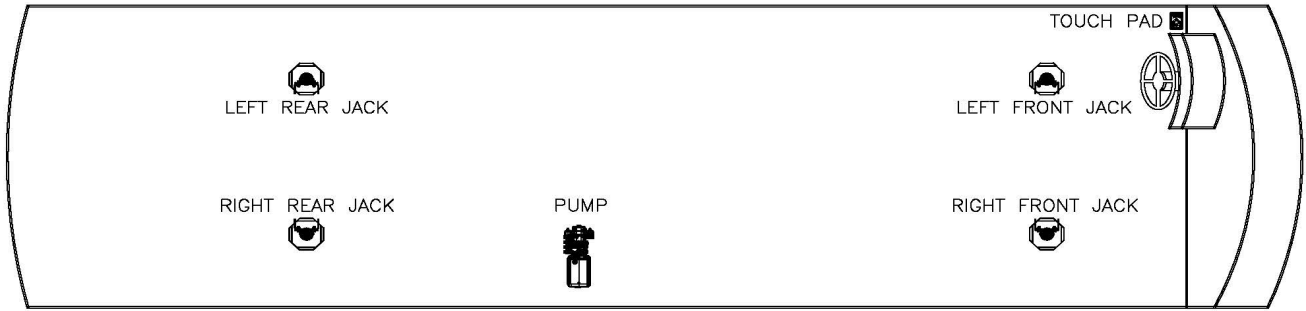
**Notes:**

Item, Length	Description / Location	Qty	Color	Equalizer Part No.
Kit	(Items listed below)	1		
Pump	4-Function, Jacks	1		7948KS
Jacks	7,500 lbs, 15" Stroke Jacks	4		7636
Control Panel	Located in dash left of driver	1		3197SBT
Harness	Connects Control Panel & Pump	1		6147
Hose Kit	Complete Set of Hoses	1		70239
Hose, 8'	Pump to Jack, Left Front Top	1	Brown Solid	2463
Hose, 8'	Pump to Jack, Left Front Bottom	1	Brown Stripe	2463
Hose, 8'	LR Jack Bottom to RR Jack Bottom	1	Orange/Yellow Stripe	2463
Hose, 12'	LF Jack Bottom to RF Jack Bottom	1	Brown/White Stripe	2467
Hose, 14'	Pump to Jack, Right Front Top	1	White Solid	2469
Hose, 16'	Pump to Jack, Left Rear Top	1	Orange Solid	2471
Hose, 18'	Pump to Jack, Left Rear Bottom	1	Orange Stripe	2473
Hose, 20'	Pump to Jack, Right Rear Top	1	Yellow Solid	2475

**Options**


**Revisions**


**JAYCO MY2022  
ALANTE - 29S**



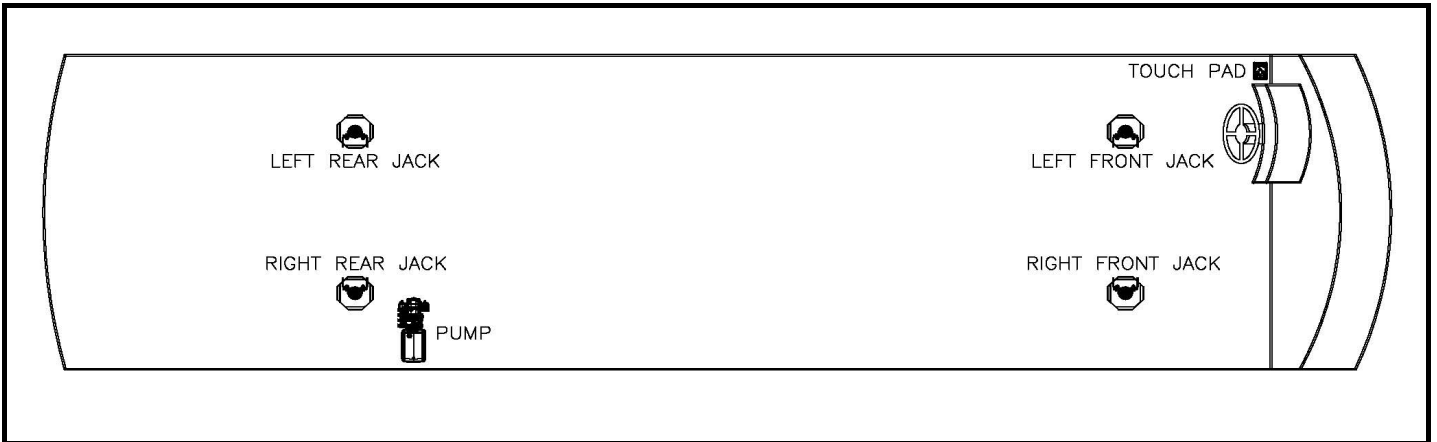
**Notes:**


Item, Length	Description / Location	Qty	Color	Equalizer Part No.
Kit	(Items listed below)	1		
Pump	4-Function, Jacks	1		7960KS
Jacks	7,500 lbs, 15" Stroke Jacks	4		7636
Control Panel	Located in dash left of driver	1		3197SBT
Harness	Connects Control Panel & Pump	1		6147
Hose Kit	Complete Set of Hoses	1		70111
Hose, 8'	LR Jack Bottom to RR Jack Bottom	1	Orange/Yellow Stripe	2463
Hose, 10'	Pump to Jack, Right Rear Top	1	Yellow Solid	2465
Hose, 10'	Pump to Jack, Right Rear Bottom	1	Yellow Stripe	2465
Hose, 12'	LF Jack Bottom to RF Jack Bottom	1	Brown/White Stripe	2467
Hose, 12'	Pump to Jack, Right Front Top	1	White Solid	2467
Hose, 14'	Pump to Jack, Right Front Bottom	1	White Stripe	2469
Hose, 14'	Pump to Jack, Left Rear Top	1	Orange Solid	2469
Hose, 16'	Pump to Jack, Left Front Top	1	Brown Solid	2471

**Options**


**Revisions**


**JAYCO MY2022  
ALANTE - 29F, 31V**

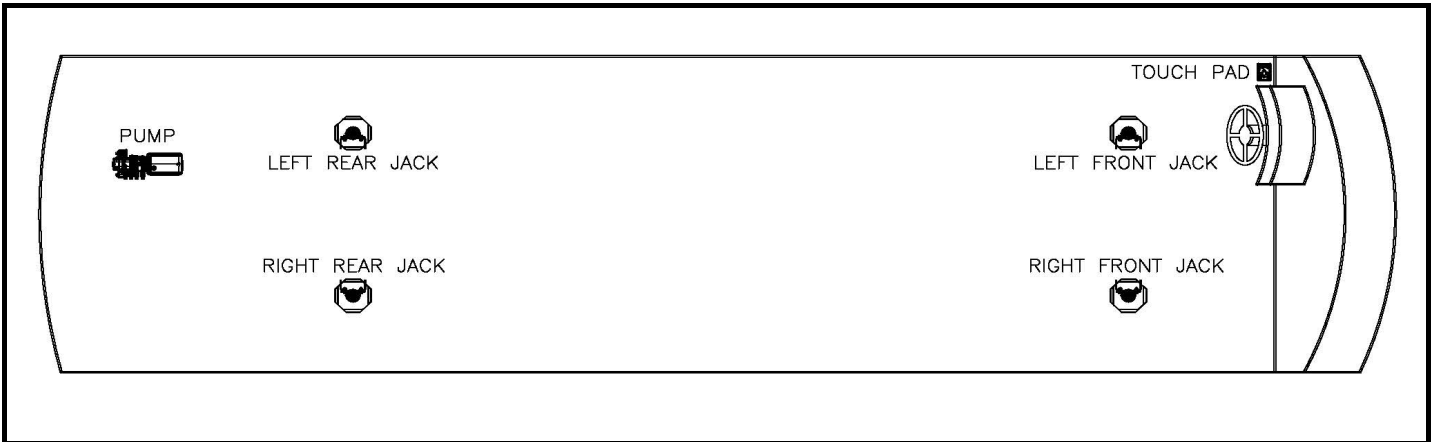


**Notes:**

After May 10th, 2018 the controls were changed to Smart Level

Item, Length	Description / Location	Qty	Color	Equalizer Part No.
Kit	(Items listed below)	1		
Pump	4-Function, Jacks	1		7960KS
Jacks	7,500 lbs, 15" Stroke Jacks	4		7636
Control Panel	Located in dash left of driver	1		3197SBT
Harness	Connects Control Panel & Pump	1		6147
Hose Kit	Complete Set of Hoses	1		70110
Hose, 4'	Pump to Jack, Right Rear Top	1	Yellow Solid	2459
Hose, 4'	Pump to Jack, Right Rear Bottom	1	Yellow Stripe	2459
Hose, 8'	LR Jack Bottom to RR Jack Bottom	1	Orange/Yellow Stripe	2463
Hose, 8'	Pump to Jack, Left Rear Top	1	Orange Solid	2463
Hose, 12'	LF Jack Bottom to RF Jack Bottom	1	Brown/White Stripe	2467
Hose, 22'	Pump to Jack, Right Front Top	1	White Solid	2476
Hose, 22'	Pump to Jack, Right Front Bottom	1	White Stripe	2476
Hose, 24'	Pump to Jack, Left Front Top	1	Brown Solid	2478
<b>Options</b>				
<b>Revisions</b>				

**JAYCO MY2022  
PRECEPT - 31UL, 34G, 36B**



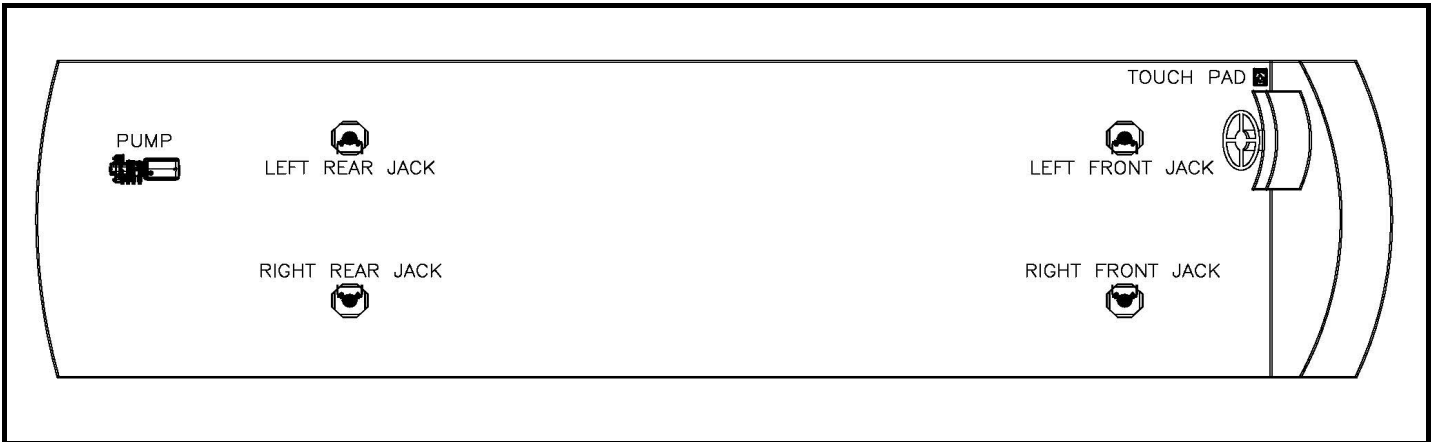
**Notes:**


Item, Length	Description / Location	Qty	Color	Equalizer Part No.
Kit	(Items listed below)	1		
Pump	4-Function, Jacks	1		7948KS
Jacks	7,500 lbs, 15" Stroke Jacks	4		7636
Control Panel	Located in dash left of driver	1		3197SBT
Harness	Connects Control Panel & Pump	1		6147
Hose Kit	Complete Set of Hoses	1		70112
Hose, 8'	LR Jack Bottom to RR Jack Bottom	1	Orange/Yellow Stripe	2463
Hose, 14'	Pump to Jack, Left Rear Top	1	Orange Solid	2469
Hose, 14'	Pump to Jack, Left Rear Bottom	1	Orange Stripe	2469
Hose, 16'	Pump to Jack, Right Rear Top	1	Yellow Solid	2471
Hose, 12'	LF Jack Bottom to RF Jack Bottom	1	Brown/White Stripe	2467
Hose, 34'	Pump to Jack, Left Front Top	1	Brown Solid	2484
Hose, 34'	Pump to Jack, Left Front Bottom	1	Brown Stripe	2484
Hose, 38'	Pump to Jack, Right Front Top	1	White Solid	2488

**Options**


**Revisions**


**JAYCO MY2022  
PRECEPT - 36A, 36C**



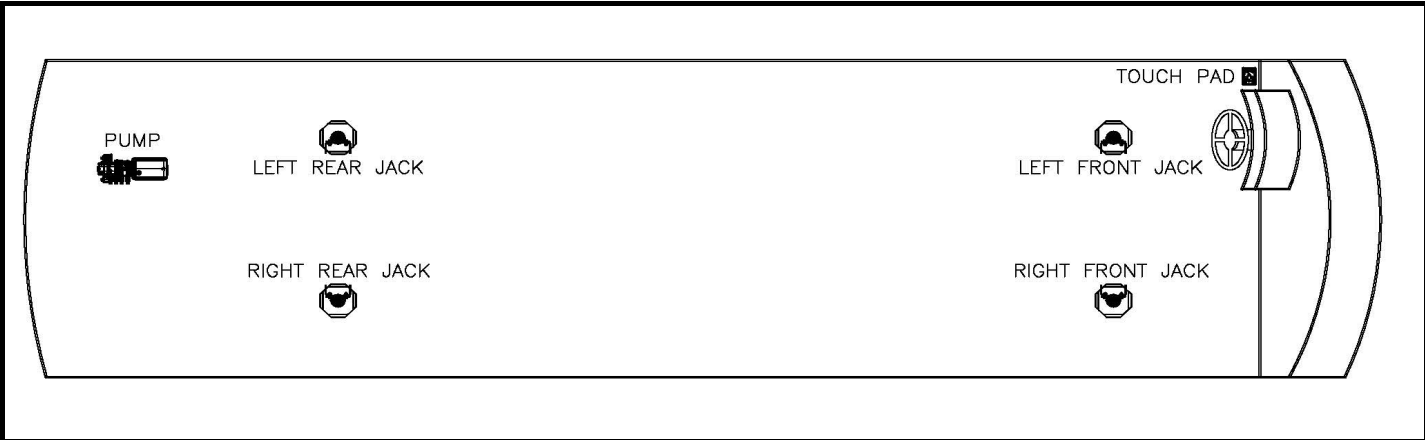
**Notes:**

Item, Length	Description / Location	Qty	Color	Equalizer Part No.
Kit	(Items listed below)	1		
Pump	4-Function, Jacks	1		7948KS
Jacks	7,500 lbs, 15" Stroke Jacks	4		7636
Control Panel	Located in dash left of driver	1		3197SBT
Harness	Connects Control Paenl & Pump	1		6147
Hose Kit	Complete Set of Hoses	1		70091
Hose, 8'	LR Jack Bottom to RR Jack Bottom	1	Orange/Yellow Stripe	2463
Hose, 14'	Pump to Jack, Left Rear Top	1	Orange Solid	2469
Hose, 14'	Pump to Jack, Left Rear Bottom	1	Orange Stripe	2469
Hose, 14'	Pump to Jack, Right Rear Top	1	Yellow Solid	2469
Hose, 12'	LF Jack Bottom to RF Jack Bottom	1	Brown/White Stripe	2467
Hose, 36'	Pump to Jack, Left Front Top	1	Brown Solid	2486
Hose, 36'	Pump to Jack, Left Front Bottom	1	Brown Stripe	2486
Hose, 40'	Pump to Jack, Right Front Top	1	White Solid	2490

**Options**


**Revisions**


**JAYCO MY2022  
PRECEPT PRESTIGE - 36B, 36U, 36H**



**Notes:**  
After May 10th, 2018 the controls were changed to Smart Level

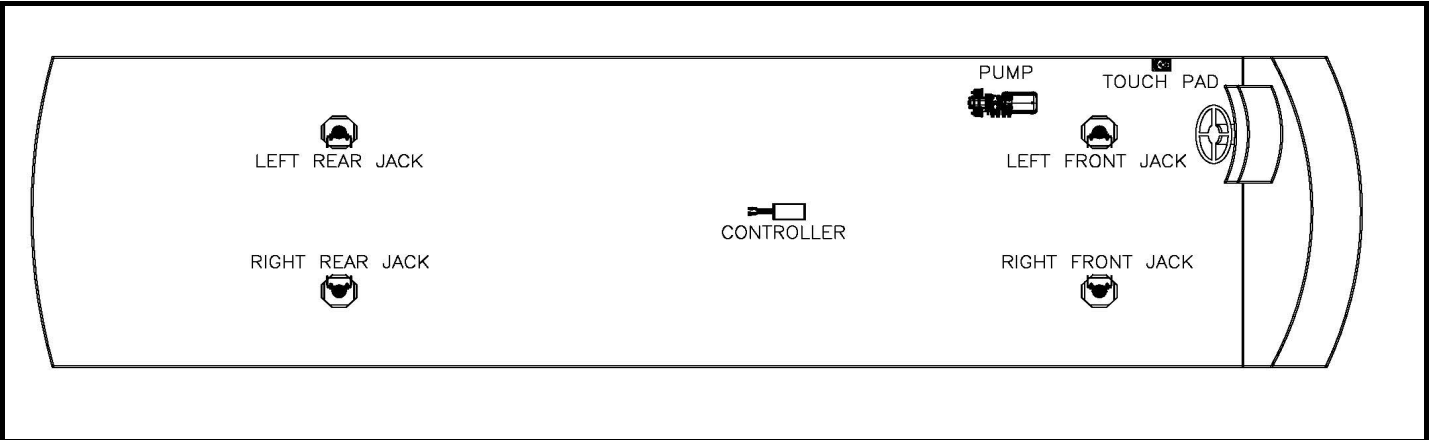
Item, Length	Description / Location	Qty	Color	Equalizer Part No.
Kit	(Items listed below)	1		
Pump	4-Function, Jacks	1		7948KS
Jacks	7,500 lbs, 15" Stroke Jacks	4		7636
Control Panel	Located in dash left of driver	1		3197SBT
Harness	Connects Control Panel & Pump	1		6147
Hose Kit	Complete Set of Hoses	1		70091
Hose, 8'	LR Jack Bottom to RR Jack Bottom	1	Orange/Yellow Stripe	2463
Hose, 14'	Pump to Jack, Left Rear Top	1	Orange Solid	2469
Hose, 14'	Pump to Jack, Left Rear Bottom	1	Orange Stripe	2469
Hose, 14'	Pump to Jack, Right Rear Top	1	Yellow Solid	2469
Hose, 12'	LF Jack Bottom to RF Jack Bottom	1	Brown/White Stripe	2467
Hose, 36'	Pump to Jack, Left Front Top	1	Brown Solid	2486
Hose, 36'	Pump to Jack, Left Front Bottom	1	Brown Stripe	2486
Hose, 40'	Pump to Jack, Right Front Top	1	White Solid	2490

Options				

Revisions				



**JAYCO MY2022  
EMBARK - 39BH, 39T2, 37K  
(Diesel)**



**Notes:**

---



---



---



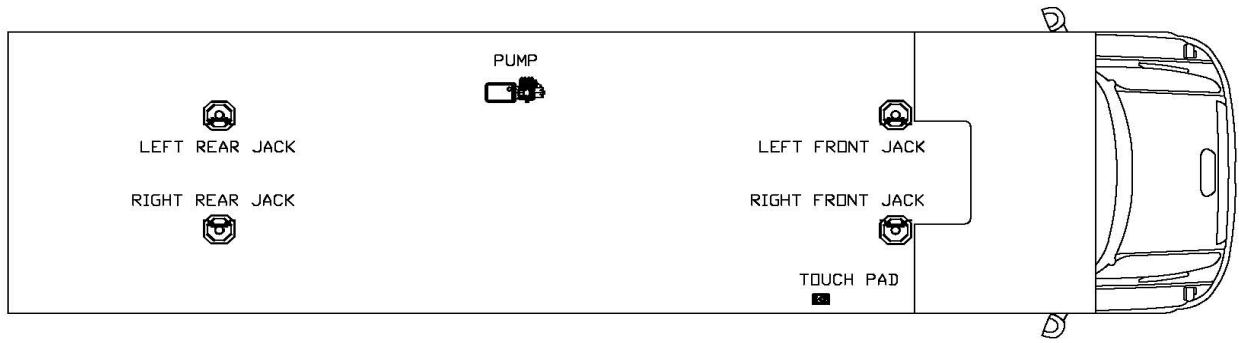
---

Item, Length	Description / Location	Qty	Color	Equalizer Part No.
Kit	(Items listed below)	1		
Pump	4-Function, Jacks	1		7953KS
Jack	12,000 lbs, 16" Stroke	4		7214
Touch Pad	Located to the left of the drivers seat	1		3103
AL Controller	Attached to bottom of structure	1		2745U
Harness	Connects Pump to Controller	1		6799U
Harness	Connects Controller to Touch Pad	1		6800U
Hose Kit	Complete Set of Hoses	1		7547
Hose, 3'	Pump to Jack, Left Front Top	1	Brown Solid	2458
Hose, 4'	Pump to Jack, Left Front Bottom	1	Brown Stripe	2459
Hose, 8'	Pump to Jack, Right Front Top	1	White Solid	2463
Hose, 10'	Pump to Jack, Right Front Bottom	1	White Stripe	2465
Hose, 10'	LR Jack Bottom to RR Jack Bottom	1	Org. Stripe/Yel Stripe	2465
Hose, 34'	Pump to Jack, Right Rear Top	1	Yellow Solid	2484
Hose, 36'	Pump to Jack, Right Rear Bottom	1	Yellow Stripe	2486
Hose, 36'	Pump to Jack, Left Rear Top	1	Orange Solid	2486

**Options**


**Revisions**


**JAYCO MY2023  
SENECA - 37K, 37L, 37M  
SENECA PRESTIGE-37K, 37L, 37M**



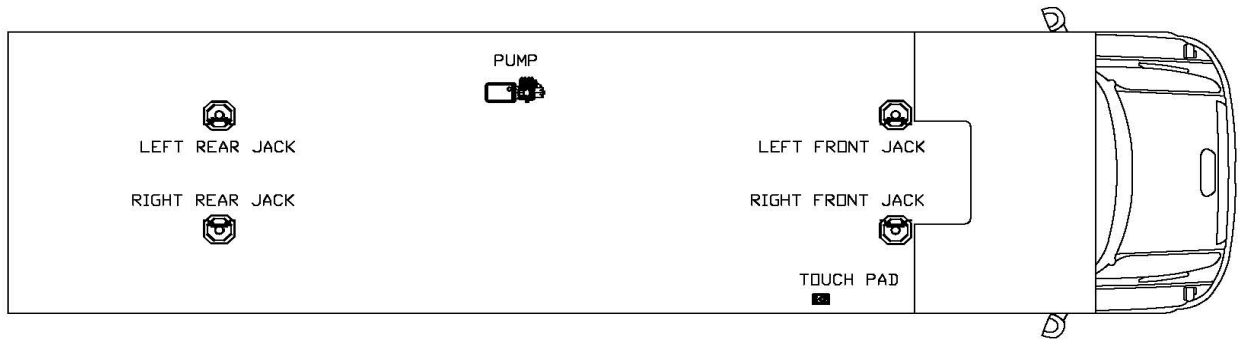
**Notes:**


Item, Length	Description / Location	Qty	Color	Equalizer Part No.
Kit	(Items listed below)	1		8736C
Pump	4-Function, Jacks	1		7948KS
Jacks	12,000 lbs, 16" Stroke Jacks	4		7214
Control Panel	Located near entry door	1		3197SBT
Harness	Connects Control Panel & Pump	1		6133-30
Hose Kit	Complete Set of Hoses	1		7952
Hose, 8'	LF Jack Bottom to RF Jack Bottom	1	Brown/White Stripe	2463
Hose, 8'	LR Jack Bottom to RR Jack Bottom	1	Orange/Yellow Stripe	2463
Hose, 10'	Pump to Jack, Left Rear Top	1	Orange Solid	2465
Hose, 10'	Pump to Jack, Left Rear Bottom	1	Orange Stripe	2465
Hose, 12'	Pump to Jack, Right Rear Top	1	Yellow Solid	2467
Hose, 16'	Pump to Jack, Left Front Top	1	Brown Solid	2471
Hose, 18'	Pump to Jack, Left Front Bottom	1	Brown Stripe	2473
Hose, 18'	Pump to Jack, Right Front Top	1	White Solid	2473


**Options**


**Revisions**


**JAYCO MY2023  
SENECA XT - 35L, 32U**



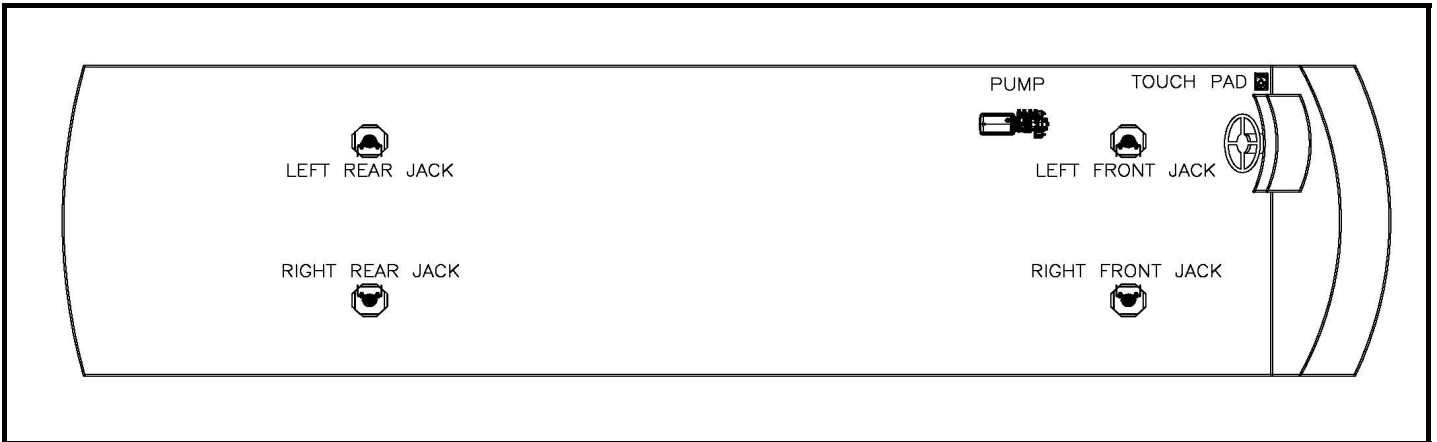
**Notes:**


Item, Length	Description / Location	Qty	Color	Equalizer Part No.
Kit	(Items listed below)	1		
Pump	4-Function, Jacks	1		7948KS
Jacks	7,500 lbs, 15" Stroke Jacks	4		7636
Control Panel	Located near entry door	1		3197SBT
Harness	Connects Control Panel & Pump	1		6133-30
Hose Kit	Complete Set of Hoses	1		70375
Hose, 12'	LF Jack Bottom to RF Jack Bottom	1	Brown/White Stripe	2467
Hose, 8'	LR Jack Bottom to RR Jack Bottom	1	Orange/Yellow Stripe	2463
Hose, 22'	Pump to Jack, Left Rear Top	1	Orange Solid	2476
Hose, 22'	Pump to Jack, Left Rear Bottom	1	Orange Stripe	2476
Hose, 26'	Pump to Jack, Right Rear Top	1	Yellow Solid	3018
Hose, 10'	Pump to Jack, Left Front Top	1	Brown Solid	2465
Hose, 10'	Pump to Jack, Left Front Bottom	1	Brown Stripe	2465
Hose, 14'	Pump to Jack, Right Front Top	1	White Solid	2469


Options				

Revisions				

**JAYCO MY2023  
ALANTE - 27A**



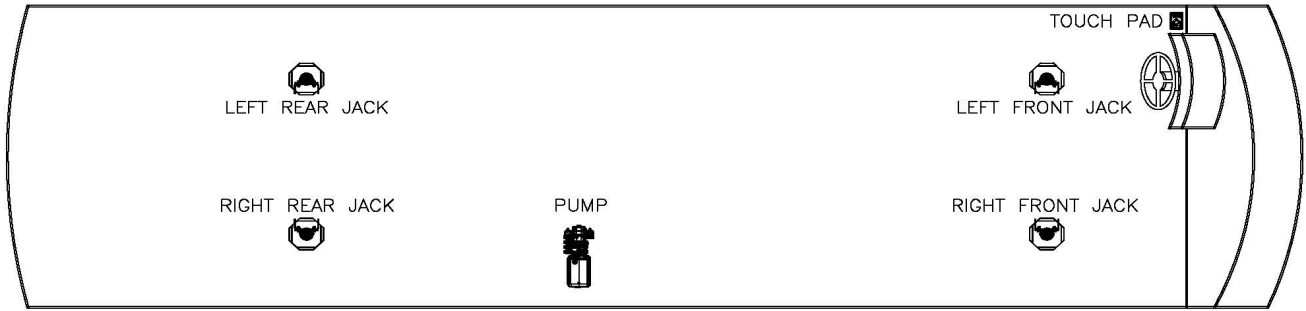
**Notes:**


Item, Length	Description / Location	Qty	Color	Equalizer Part No.
Kit	(Items listed below)	1		
Pump	4-Function, Jacks	1		7948KS
Jacks	7,500 lbs, 15" Stroke Jacks	4		7636
Control Panel	Located in dash left of driver	1		3197SBT
Harness	Connects Control Panel & Pump	1		6147
Hose Kit	Complete Set of Hoses	1		70239
Hose, 8'	Pump to Jack, Left Front Top	1	Brown Solid	2463
Hose, 8'	Pump to Jack, Left Front Bottom	1	Brown Stripe	2463
Hose, 8'	LR Jack Bottom to RR Jack Bottom	1	Orange/Yellow Stripe	2463
Hose, 12'	LF Jack Bottom to RF Jack Bottom	1	Brown/White Stripe	2467
Hose, 14'	Pump to Jack, Right Front Top	1	White Solid	2469
Hose, 16'	Pump to Jack, Left Rear Top	1	Orange Solid	2471
Hose, 18'	Pump to Jack, Left Rear Bottom	1	Orange Stripe	2473
Hose, 20'	Pump to Jack, Right Rear Top	1	Yellow Solid	2475

**Options**


**Revisions**


**JAYCO MY2023  
ALANTE - 29S**



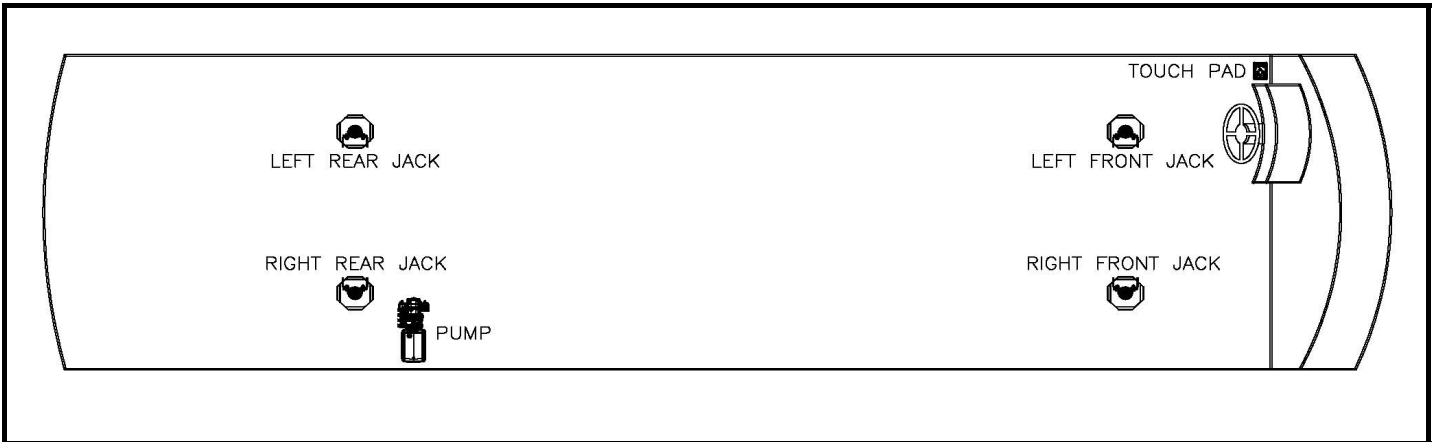
**Notes:**


Item, Length	Description / Location	Qty	Color	Equalizer Part No.
Kit	(Items listed below)	1		
Pump	4-Function, Jacks	1		7960KS
Jacks	7,500 lbs, 15" Stroke Jacks	4		7636
Control Panel	Located in dash left of driver	1		3197SBT
Harness	Connects Control Panel & Pump	1		6147
Hose Kit	Complete Set of Hoses	1		70111
Hose, 8'	LR Jack Bottom to RR Jack Bottom	1	Orange/Yellow Stripe	2463
Hose, 10'	Pump to Jack, Right Rear Top	1	Yellow Solid	2465
Hose, 10'	Pump to Jack, Right Rear Bottom	1	Yellow Stripe	2465
Hose, 12'	LF Jack Bottom to RF Jack Bottom	1	Brown/White Stripe	2467
Hose, 12'	Pump to Jack, Right Front Top	1	White Solid	2467
Hose, 14'	Pump to Jack, Right Front Bottom	1	White Stripe	2469
Hose, 14'	Pump to Jack, Left Rear Top	1	Orange Solid	2469
Hose, 16'	Pump to Jack, Left Front Top	1	Brown Solid	2471

**Options**


**Revisions**


**JAYCO MY2023  
ALANTE - 29F**



**Notes:**

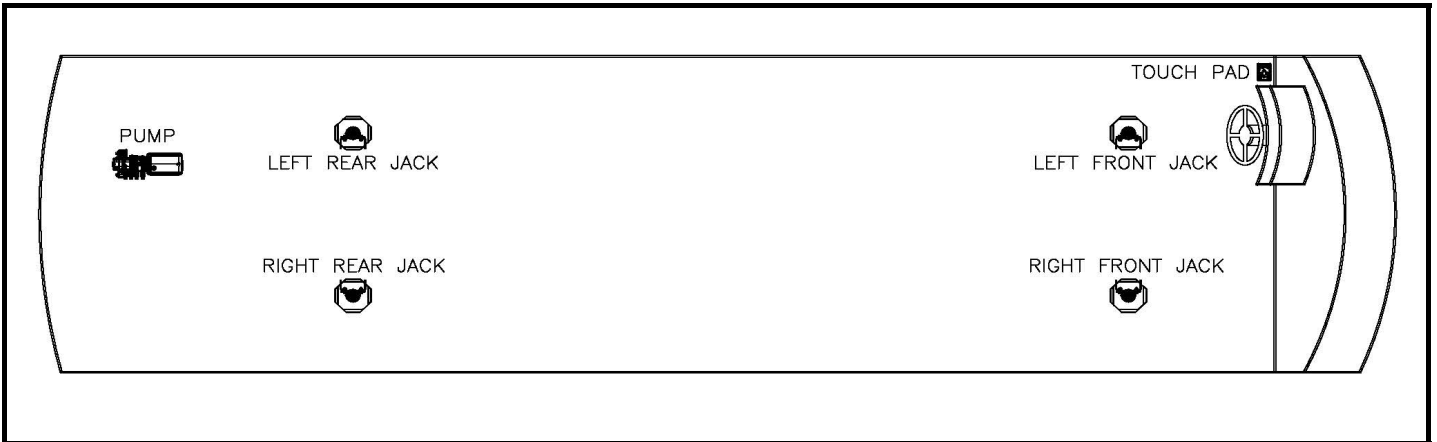
After May 10th, 2018 the controls were changed to Smart Level


Item, Length	Description / Location	Qty	Color	Equalizer Part No.
Kit	(Items listed below)	1		
Pump	4-Function, Jacks	1		7960KS
Jacks	7,500 lbs, 15" Stroke Jacks	4		7636
Control Panel	Located in dash left of driver	1		3197SBT
Harness	Connects Control Panel & Pump	1		6147
Hose Kit	Complete Set of Hoses	1		70110
Hose, 4'	Pump to Jack, Right Rear Top	1	Yellow Solid	2459
Hose, 4'	Pump to Jack, Right Rear Bottom	1	Yellow Stripe	2459
Hose, 8'	LR Jack Bottom to RR Jack Bottom	1	Orange/Yellow Stripe	2463
Hose, 8'	Pump to Jack, Left Rear Top	1	Orange Solid	2463
Hose, 12'	LF Jack Bottom to RF Jack Bottom	1	Brown/White Stripe	2467
Hose, 22'	Pump to Jack, Right Front Top	1	White Solid	2476
Hose, 22'	Pump to Jack, Right Front Bottom	1	White Stripe	2476
Hose, 24'	Pump to Jack, Left Front Top	1	Brown Solid	2478

**Options**


**Revisions**


**JAYCO MY2023  
PRECEPT - 31UL, 34G, 36B**



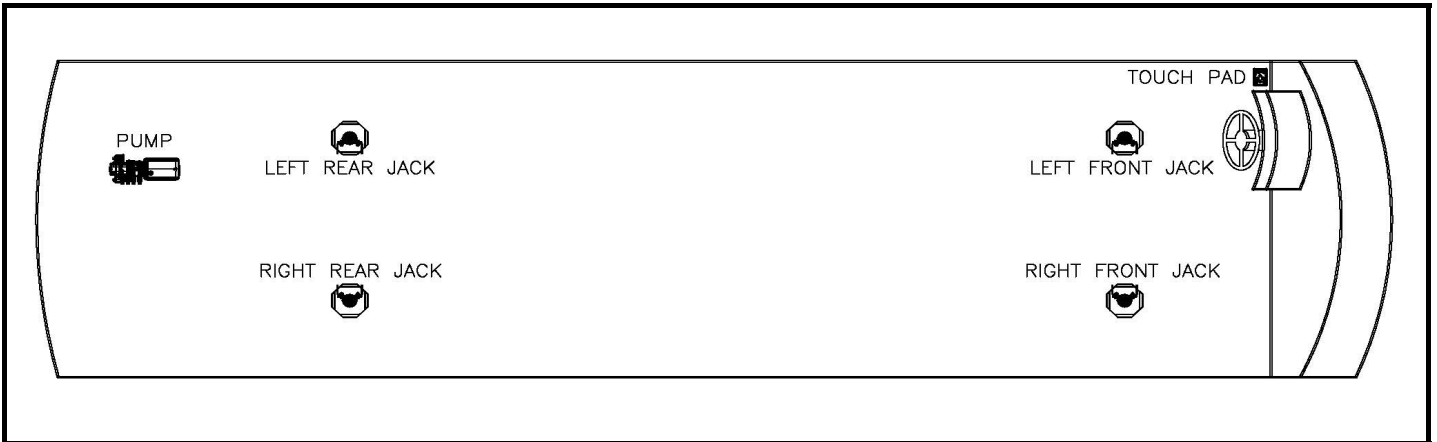
**Notes:**


Item, Length	Description / Location	Qty	Color	Equalizer Part No.
Kit	(Items listed below)	1		
Pump	4-Function, Jacks	1		7948KS
Jacks	7,500 lbs, 15" Stroke Jacks	4		7636
Control Panel	Located in dash left of driver	1		3197SBT
Harness	Connects Control Panel & Pump	1		6147
Hose Kit	Complete Set of Hoses	1		70112
Hose, 8'	LR Jack Bottom to RR Jack Bottom	1	Orange/Yellow Stripe	2463
Hose, 14'	Pump to Jack, Left Rear Top	1	Orange Solid	2469
Hose, 14'	Pump to Jack, Left Rear Bottom	1	Orange Stripe	2469
Hose, 16'	Pump to Jack, Right Rear Top	1	Yellow Solid	2471
Hose, 12'	LF Jack Bottom to RF Jack Bottom	1	Brown/White Stripe	2467
Hose, 34'	Pump to Jack, Left Front Top	1	Brown Solid	2484
Hose, 34'	Pump to Jack, Left Front Bottom	1	Brown Stripe	2484
Hose, 38'	Pump to Jack, Right Front Top	1	White Solid	2488

**Options**


**Revisions**


**JAYCO MY2023  
PRECEPT - 36A, 36C**



**Notes:**

---



---



---

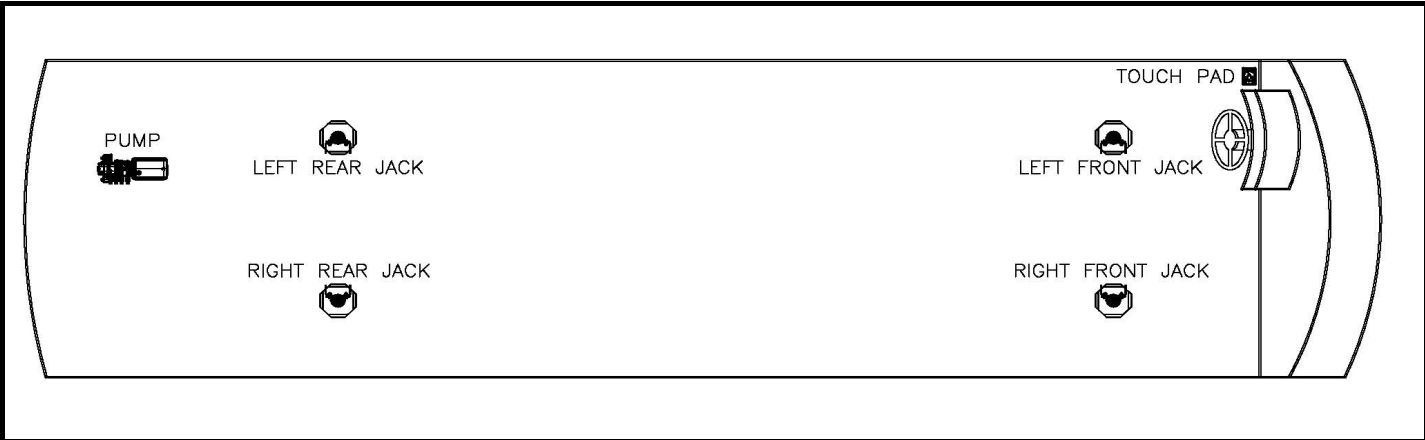


---

Item, Length	Description / Location	Qty	Color	Equalizer Part No.
Kit	(Items listed below)	1		
Pump	4-Function, Jacks	1		7948KS
Jacks	7,500 lbs, 15" Stroke Jacks	4		7636
Control Panel	Located in dash left of driver	1		3197SBT
Harness	Connects Control Paenl & Pump	1		6147
Hose Kit	Complete Set of Hoses	1		70091
Hose, 8'	LR Jack Bottom to RR Jack Bottom	1	Orange/Yellow Stripe	2463
Hose, 14'	Pump to Jack, Left Rear Top	1	Orange Solid	2469
Hose, 14'	Pump to Jack, Left Rear Bottom	1	Orange Stripe	2469
Hose, 14'	Pump to Jack, Right Rear Top	1	Yellow Solid	2469
Hose, 12'	LF Jack Bottom to RF Jack Bottom	1	Brown/White Stripe	2467
Hose, 36'	Pump to Jack, Left Front Top	1	Brown Solid	2486
Hose, 36'	Pump to Jack, Left Front Bottom	1	Brown Stripe	2486
Hose, 40'	Pump to Jack, Right Front Top	1	White Solid	2490
<b>Options</b>				
<b>Revisions</b>				



**JAYCO MY2023  
PRECEPT PRESTIGE - 36B, 36U, 36H**



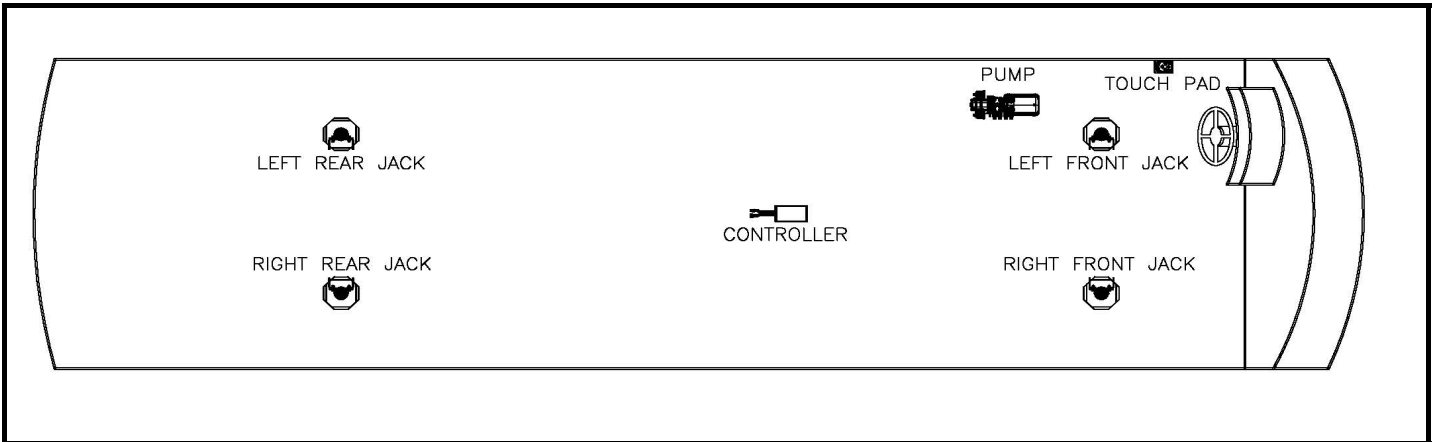
**Notes:**  
After May 10th, 2018 the controls were changed to Smart Level

Item, Length	Description / Location	Qty	Color	Equalizer Part No.
Kit	(Items listed below)	1		
Pump	4-Function, Jacks	1		7948KS
Jacks	7,500 lbs, 15" Stroke Jacks	4		7636
Control Panel	Located in dash left of driver	1		3197SBT
Harness	Connects Control Panel & Pump	1		6147
Hose Kit	Complete Set of Hoses	1		70091
Hose, 8'	LR Jack Bottom to RR Jack Bottom	1	Orange/Yellow Stripe	2463
Hose, 14'	Pump to Jack, Left Rear Top	1	Orange Solid	2469
Hose, 14'	Pump to Jack, Left Rear Bottom	1	Orange Stripe	2469
Hose, 14'	Pump to Jack, Right Rear Top	1	Yellow Solid	2469
Hose, 12'	LF Jack Bottom to RF Jack Bottom	1	Brown/White Stripe	2467
Hose, 36'	Pump to Jack, Left Front Top	1	Brown Solid	2486
Hose, 36'	Pump to Jack, Left Front Bottom	1	Brown Stripe	2486
Hose, 40'	Pump to Jack, Right Front Top	1	White Solid	2490

Options				

Revisions				

**JAYCO MY2023  
EMBARK - 39BH, 39T2, 37K  
(Diesel)**



**Notes:**

---



---



---



---



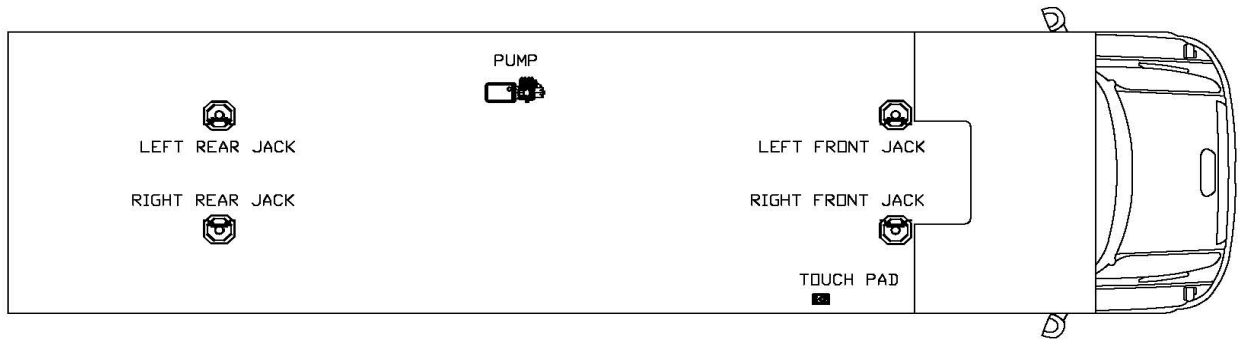
---

Item, Length	Description / Location	Qty	Color	Equalizer Part No.
Kit	(Items listed below)	1		8769 & 8770A
Pump	4-Function, Jacks	1		7953KS
Jack	12,000 lbs, 16" Stroke	4		7214
Touch Pad	Located to the left of the drivers seat	1		3103
AL Controller	Attached to bottom of structure	1		2745U
Harness	Connects Pump to Controller	1		6799U
Harness	Connects Controller to Touch Pad	1		6800U
Hose Kit	Complete Set of Hoses	1		7547
Hose, 3'	Pump to Jack, Left Front Top	1	Brown Solid	2458
Hose, 4'	Pump to Jack, Left Front Bottom	1	Brown Stripe	2459
Hose, 8'	Pump to Jack, Right Front Top	1	White Solid	2463
Hose, 10'	Pump to Jack, Right Front Bottom	1	White Stripe	2465
Hose, 10'	LR Jack Bottom to RR Jack Bottom	1	Org. Stripe/Yel Stripe	2465
Hose, 34'	Pump to Jack, Right Rear Top	1	Yellow Solid	2484
Hose, 36'	Pump to Jack, Right Rear Bottom	1	Yellow Stripe	2486
Hose, 36'	Pump to Jack, Left Rear Top	1	Orange Solid	2486

Options				

Revisions				

**JAYCO MY2024  
SENECA - 37K, 37L, 37M**



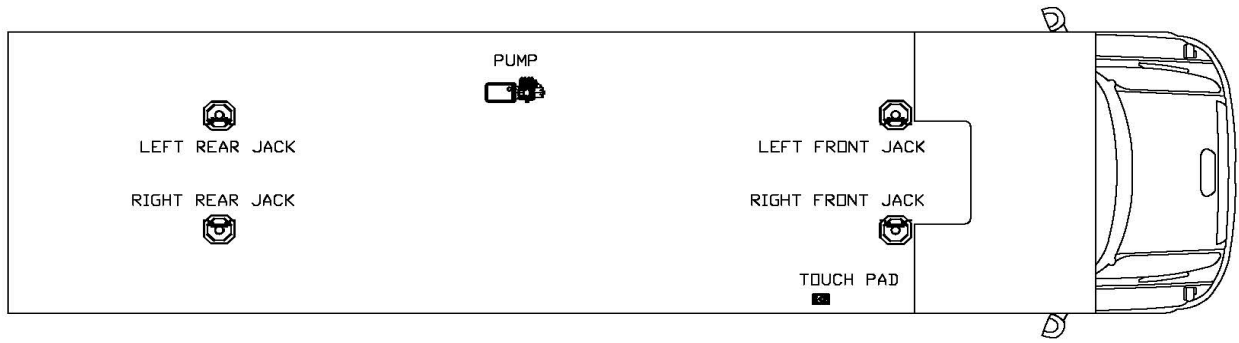
**Notes:**


Item, Length	Description / Location	Qty	Color	Equalizer Part No.
Kit	(Items listed below)	1		8736C
Pump	4-Function, Jacks	1		7948KS
Jacks	12,000 lbs, 16" Stroke Jacks	4		7214
Control Panel	Located near entry door	1		3197SBT
Harness	Connects Control Panel & Pump	1		6133-30
Hose Kit	Complete Set of Hoses	1		7952
Hose, 8'	LF Jack Bottom to RF Jack Bottom	1	Brown/White Stripe	2463
Hose, 8'	LR Jack Bottom to RR Jack Bottom	1	Orange/Yellow Stripe	2463
Hose, 10'	Pump to Jack, Left Rear Top	1	Orange Solid	2465
Hose, 10'	Pump to Jack, Left Rear Bottom	1	Orange Stripe	2465
Hose, 12'	Pump to Jack, Right Rear Top	1	Yellow Solid	2467
Hose, 16'	Pump to Jack, Left Front Top	1	Brown Solid	2471
Hose, 18'	Pump to Jack, Left Front Bottom	1	Brown Stripe	2473
Hose, 18'	Pump to Jack, Right Front Top	1	White Solid	2473

**Options**


**Revisions**


**JAYCO MY2024  
SENECA PRESTIGE-37K, 37L, 37M**



**Notes:**

Seneca Prestige added the air dump feature changing the control panel and harness.

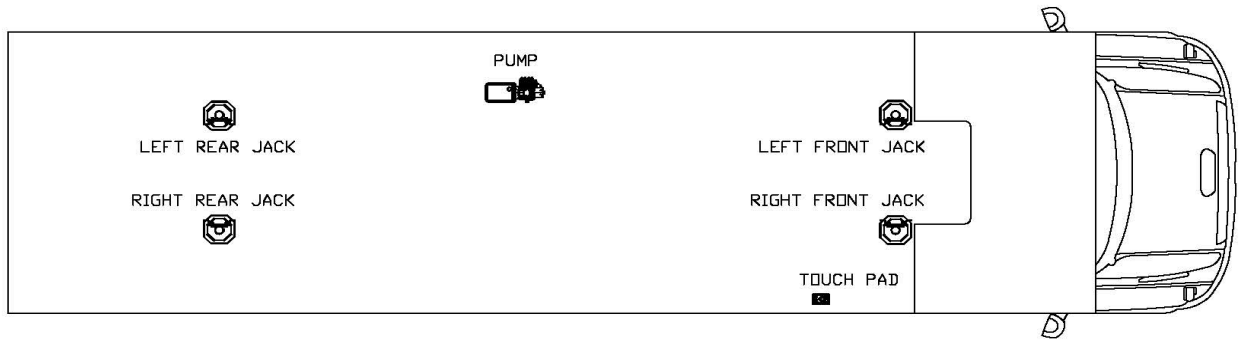
Item, Length	Description / Location	Qty	Color	Equalizer Part No.
Kit	(Items listed below)	1		8029
Pump	4-Function, Jacks	1		7948KS
Jacks	12,000 lbs, 16" Stroke Jacks	4		7214
Control Panel	Located near entry door	1		2745SBT
Harness	Connects Control Panel & Pump	1		6484-30
Hose Kit	Complete Set of Hoses	1		7952
Hose, 8'	LF Jack Bottom to RF Jack Bottom	1	Brown/White Stripe	2463
Hose, 8'	LR Jack Bottom to RR Jack Bottom	1	Orange/Yellow Stripe	2463
Hose, 10'	Pump to Jack, Left Rear Top	1	Orange Solid	2465
Hose, 10'	Pump to Jack, Left Rear Bottom	1	Orange Stripe	2465
Hose, 12'	Pump to Jack, Right Rear Top	1	Yellow Solid	2467
Hose, 16'	Pump to Jack, Left Front Top	1	Brown Solid	2471
Hose, 18'	Pump to Jack, Left Front Bottom	1	Brown Stripe	2473
Hose, 18'	Pump to Jack, Right Front Top	1	White Solid	2473

**Options**


**Revisions**




**JAYCO MY2024  
SENECA XT - 32U, 35L**



**Notes:**


Item, Length	Description / Location	Qty	Color	Equalizer Part No.
Kit	(Items listed below)	1		
Pump	4-Function, Jacks	1		7948KS
Jacks	7,500 lbs, 15" Stroke Jacks	4		7636
Control Panel	Located near entry door	1		3197SBT
Harness	Connects Control Panel & Pump	1		6133-30
Hose Kit	Complete Set of Hoses	1		70375
Hose, 12'	LF Jack Bottom to RF Jack Bottom	1	Brown/White Stripe	2467
Hose, 8'	LR Jack Bottom to RR Jack Bottom	1	Orange/Yellow Stripe	2463
Hose, 22'	Pump to Jack, Left Rear Top	1	Orange Solid	2476
Hose, 22'	Pump to Jack, Left Rear Bottom	1	Orange Stripe	2476
Hose, 26'	Pump to Jack, Right Rear Top	1	Yellow Solid	3018
Hose, 10'	Pump to Jack, Left Front Top	1	Brown Solid	2465
Hose, 10'	Pump to Jack, Left Front Bottom	1	Brown Stripe	2465
Hose, 14'	Pump to Jack, Right Front Top	1	White Solid	2469

**Options**


**Revisions**


**JAYCO MY2024  
ALANTE - 27A**



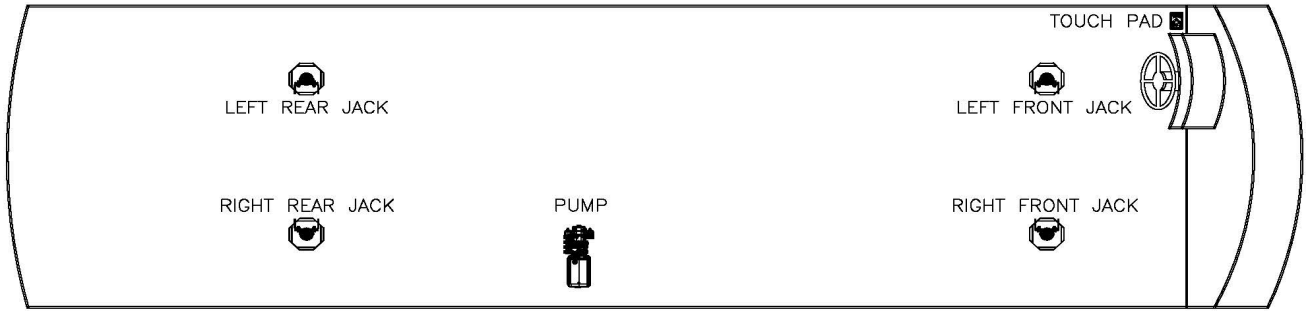
**Notes:**


Item, Length	Description / Location	Qty	Color	Equalizer Part No.
Kit	(Items listed below)	1		
Pump	4-Function, Jacks	1		7948KS
Jacks	7,500 lbs, 15" Stroke Jacks	4		7636
Control Panel	Located in dash left of driver	1		3197SBT
Harness	Connects Control Panel & Pump	1		6147
Hose Kit	Complete Set of Hoses	1		70239
Hose, 8'	Pump to Jack, Left Front Top	1	Brown Solid	2463
Hose, 8'	Pump to Jack, Left Front Bottom	1	Brown Stripe	2463
Hose, 8'	LR Jack Bottom to RR Jack Bottom	1	Orange/Yellow Stripe	2463
Hose, 12'	LF Jack Bottom to RF Jack Bottom	1	Brown/White Stripe	2467
Hose, 14'	Pump to Jack, Right Front Top	1	White Solid	2469
Hose, 16'	Pump to Jack, Left Rear Top	1	Orange Solid	2471
Hose, 18'	Pump to Jack, Left Rear Bottom	1	Orange Stripe	2473
Hose, 20'	Pump to Jack, Right Rear Top	1	Yellow Solid	2475

**Options**


**Revisions**


**JAYCO MY2024  
ALANTE - 29S**



**Notes:**


Item, Length	Description / Location	Qty	Color	Equalizer Part No.
Kit	(Items listed below)	1		
Pump	4-Function, Jacks	1		7960KS
Jacks	7,500 lbs, 15" Stroke Jacks	4		7636
Control Panel	Located in dash left of driver	1		3197SBT
Harness	Connects Control Panel & Pump	1		6147
Hose Kit	Complete Set of Hoses	1		70111
Hose, 8'	LR Jack Bottom to RR Jack Bottom	1	Orange/Yellow Stripe	2463
Hose, 10'	Pump to Jack, Right Rear Top	1	Yellow Solid	2465
Hose, 10'	Pump to Jack, Right Rear Bottom	1	Yellow Stripe	2465
Hose, 12'	LF Jack Bottom to RF Jack Bottom	1	Brown/White Stripe	2467
Hose, 12'	Pump to Jack, Right Front Top	1	White Solid	2467
Hose, 14'	Pump to Jack, Right Front Bottom	1	White Stripe	2469
Hose, 14'	Pump to Jack, Left Rear Top	1	Orange Solid	2469
Hose, 16'	Pump to Jack, Left Front Top	1	Brown Solid	2471

**Options**


**Revisions**




**JAYCO MY2024  
ALANTE - 29F**



**Notes:**

After May 10th, 2018 the controls were changed to Smart Level

Item, Length	Description / Location	Qty	Color	Equalizer Part No.
Kit	(Items listed below)	1		
Pump	4-Function, Jacks	1		7960KS
Jacks	7,500 lbs, 15" Stroke Jacks	4		7636
Control Panel	Located in dash left of driver	1		3197SBT
Harness	Connects Control Panel & Pump	1		6147
Hose Kit	Complete Set of Hoses	1		70110
Hose, 4'	Pump to Jack, Right Rear Top	1	Yellow Solid	2459
Hose, 4'	Pump to Jack, Right Rear Bottom	1	Yellow Stripe	2459
Hose, 8'	LR Jack Bottom to RR Jack Bottom	1	Orange/Yellow Stripe	2463
Hose, 8'	Pump to Jack, Left Rear Top	1	Orange Solid	2463
Hose, 12'	LF Jack Bottom to RF Jack Bottom	1	Brown/White Stripe	2467
Hose, 22'	Pump to Jack, Right Front Top	1	White Solid	2476
Hose, 22'	Pump to Jack, Right Front Bottom	1	White Stripe	2476
Hose, 24'	Pump to Jack, Left Front Top	1	Brown Solid	2478

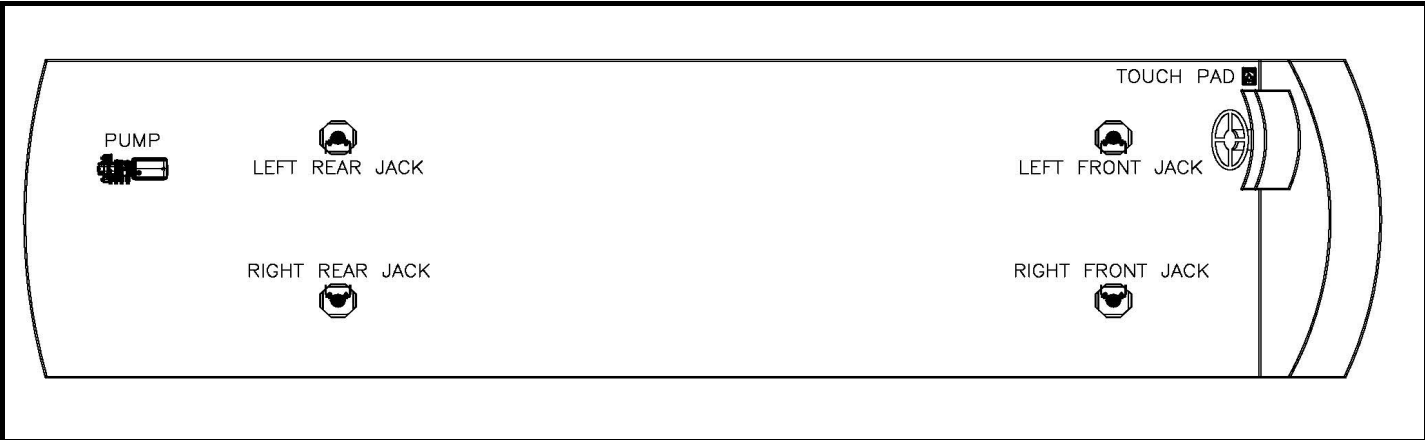
**Options**


**Revisions**






**JAYCO MY2024  
PRECEPT PRESTIGE - 36B, 36U, 36H**



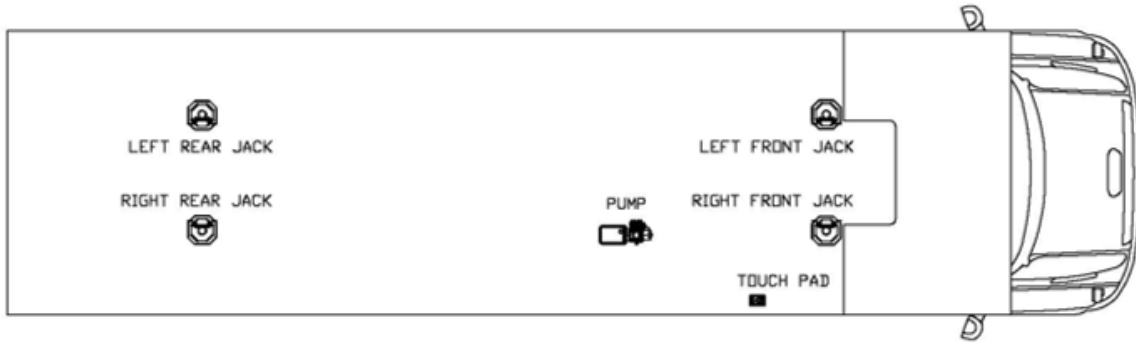
**Notes:**  
After May 10th, 2018 the controls were changed to Smart Level

Item, Length	Description / Location	Qty	Color	Equalizer Part No.
Kit	(Items listed below)	1		
Pump	4-Function, Jacks	1		7948KS
Jacks	7,500 lbs, 15" Stroke Jacks	4		7636
Control Panel	Located in dash left of driver	1		3197SBT
Harness	Connects Control Panel & Pump	1		6147
Hose Kit	Complete Set of Hoses	1		70091
Hose, 8'	LR Jack Bottom to RR Jack Bottom	1	Orange/Yellow Stripe	2463
Hose, 14'	Pump to Jack, Left Rear Top	1	Orange Solid	2469
Hose, 14'	Pump to Jack, Left Rear Bottom	1	Orange Stripe	2469
Hose, 14'	Pump to Jack, Right Rear Top	1	Yellow Solid	2469
Hose, 12'	LF Jack Bottom to RF Jack Bottom	1	Brown/White Stripe	2467
Hose, 36'	Pump to Jack, Left Front Top	1	Brown Solid	2486
Hose, 36'	Pump to Jack, Left Front Bottom	1	Brown Stripe	2486
Hose, 40'	Pump to Jack, Right Front Top	1	White Solid	2490

Options				

Revisions				

**JAYCO MY2024  
GREYHAWK XL**



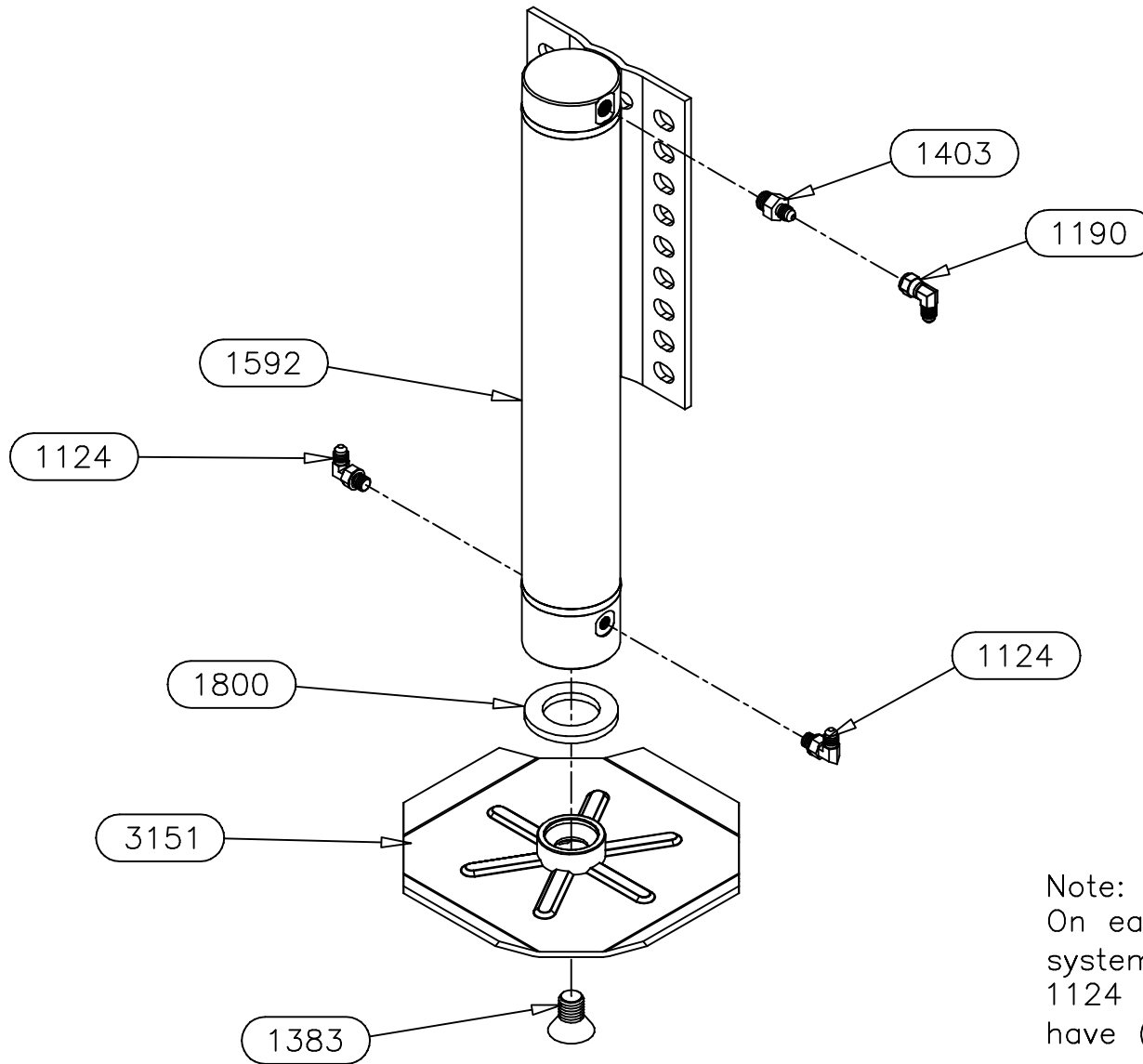
**Notes:**


Item, Length	Description / Location	Qty	Color	Equalizer Part No.
Kit	(Items listed below)	1		8630C
Pump	4-Function, Jacks	1		7960KS
Jacks	7,500 lbs, 15" Stroke Jacks	4		7636
Control Panel	Located near entry door	1		3197SBT
Harness	Connects Control Panel & Pump	1		6147
Hose Kit	Complete Set of Hoses	1		70462
Hose, 12'	LF Jack Bottom to RF Jack Bottom	1	Brown/White Stripe	2467
Hose, 8'	LR Jack Bottom to RR Jack Bottom	1	Orange/Yellow Stripe	2463
Hose, 26'	Pump to Jack, Left Rear Top	1	Orange Solid	3018
Hose, 22'	Pump to Jack, Left Rear Bottom	1	Yellow Solid	2476
Hose, 22'	Pump to Jack, Right Rear Top	1	Yellow Stripe	2476
Hose, 14'	Pump to Jack, Left Front Top	1	Brown Solid	2469
Hose, 10'	Pump to Jack, Left Front Bottom	1	White Solid	2465
Hose, 10'	Pump to Jack, Right Front Top	1	White Stripe	2465


Options				

Revisions				





Note:  
 On each pair of jacks in this system, one jack will have (1) 1124 fitting and the other will have (2) 1124 fittings.

*Equalizer*

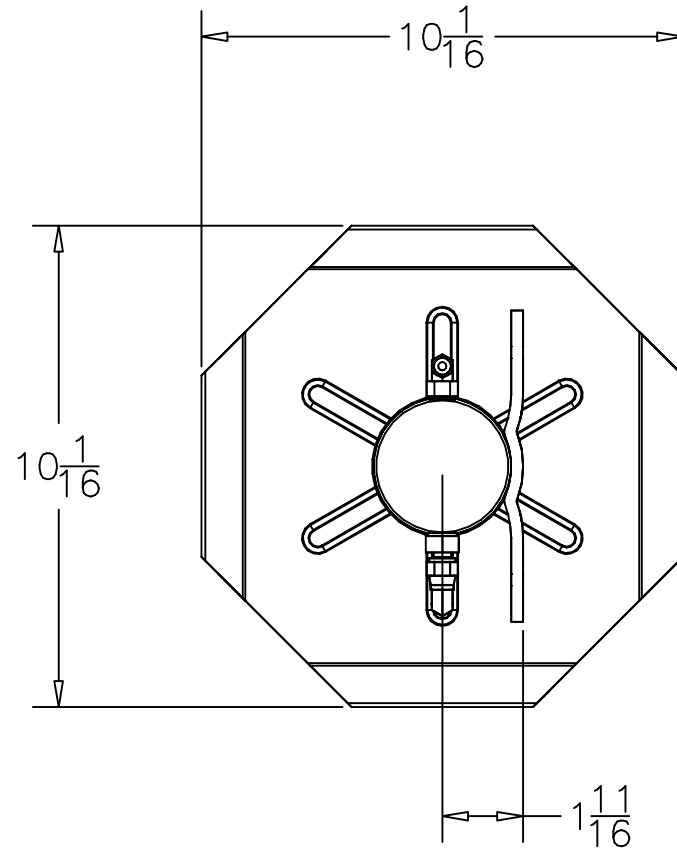
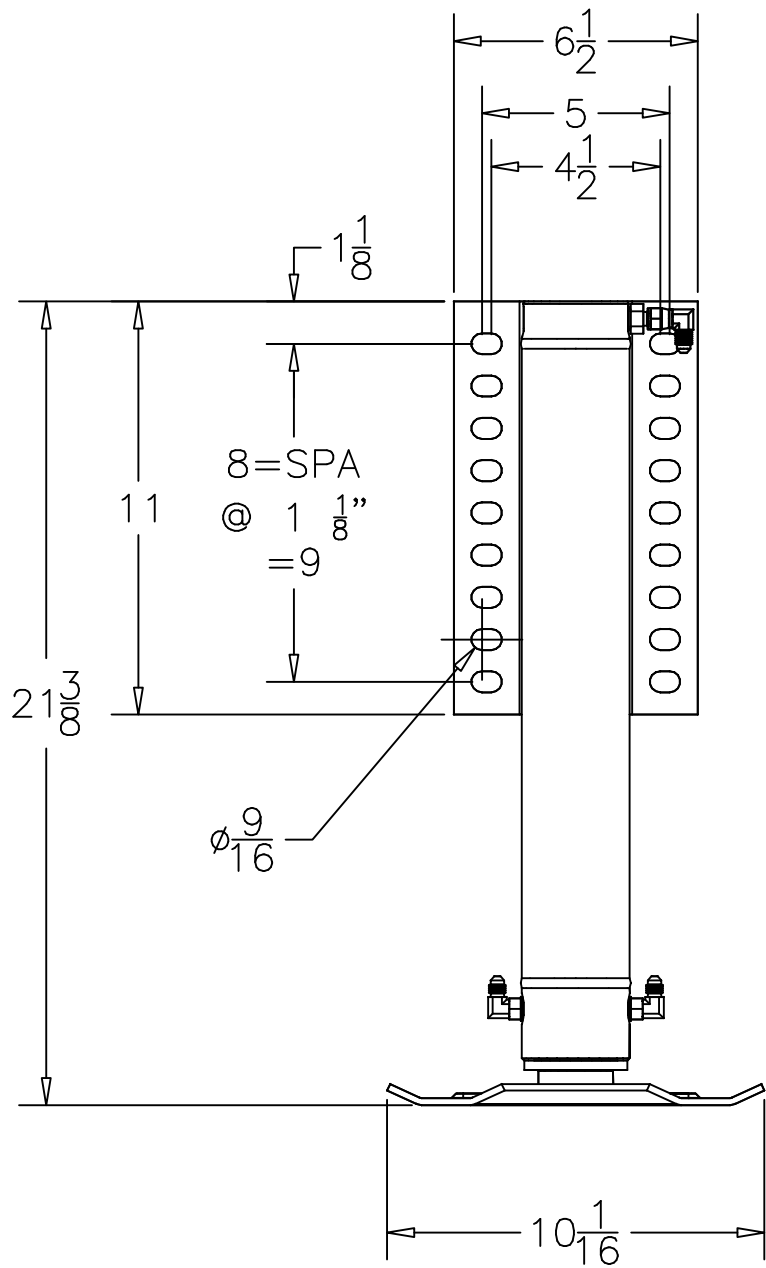
55169 COUNTY ROAD 3  
 ELKHART, IN 46515

NOTICE - This drawing, including principles of design, is the property of Days Corporation, Elkhart, Indiana, with the agreement that it is not to be reproduced, copied, or loaned in any manner that may constitute a detriment directly or indirectly to Days Corporation. Acceptance of this will be construed as an agreement of the above.

#	REVISIONS	BY:	DATE:

UNLESS OTHERWISE SPECIFIED:  
 TOLERANCES:  
 .XXX ± 0.010  
 .XX ± 0.010  
 .X ± 0.030  
 ANG. ± 1/2"  
 REMOVE ALL BURRS AND SHARP EDGES .015 MAX

TITLE SL 16 S LEG ASSEMBLY		USED ON: JAYCO SENECA	
SIZE A	SCALE 1:1	MATERIAL AS NOTED	
DRW BY: SJ	DATE: 12/9/14	PART NAME: SL 16 S LEG ASSEMBLY	
APP'D BY -	DATE: -	PAGE: 2 OF 3	DWG NO.: P7214-7949
			REV: -



*Equalizer*

55169 COUNTY ROAD 3  
ELKHART, IN 46515

#	REVISIONS	BY:	DATE:

BY:	DATE:

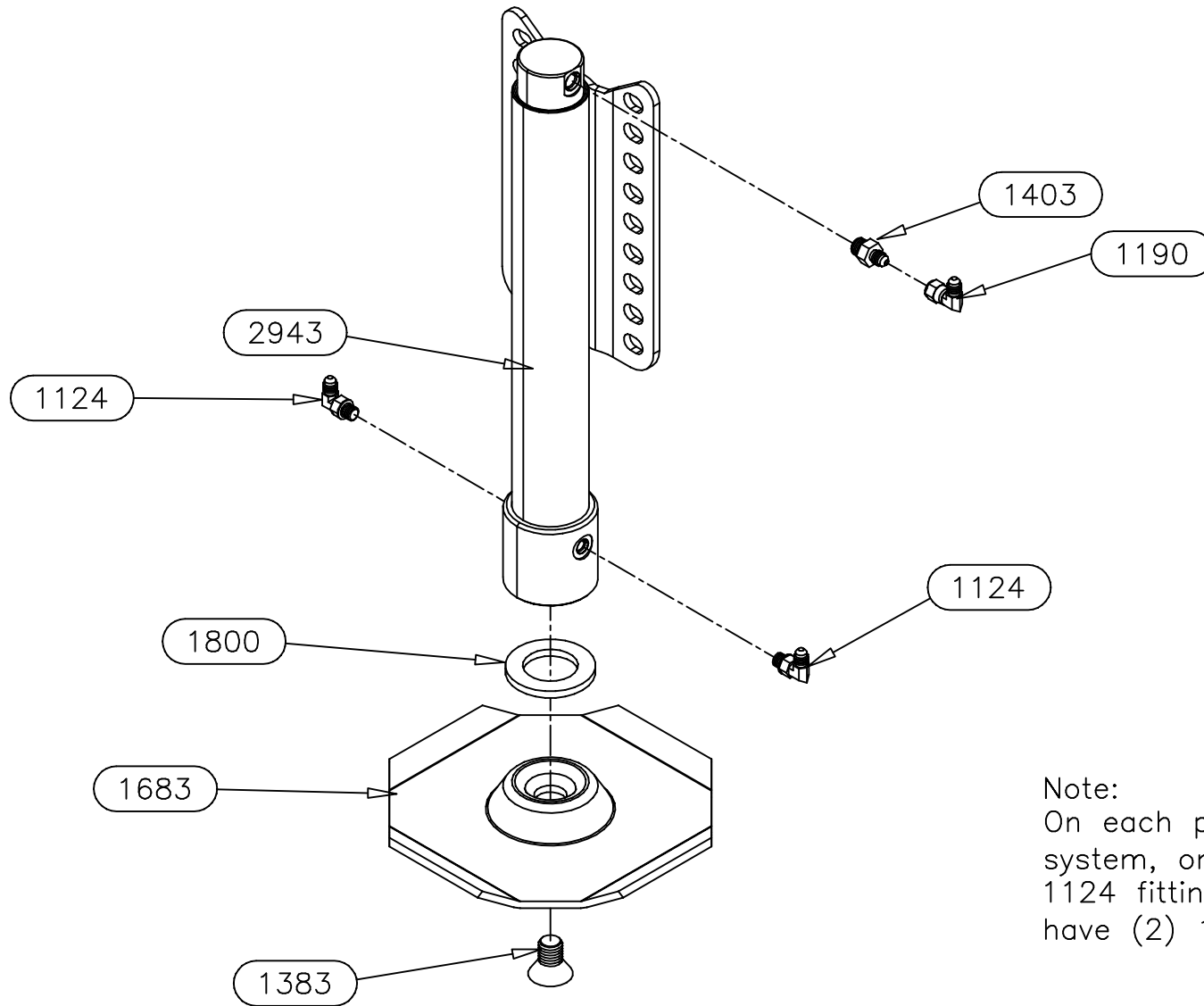
UNLESS OTHERWISE SPECIFIED:  
TOLERANCES:  
.XXX ± 0.010  
.XX ± 0.010  
.X ± 0.030  
ANG. ± 1/2"  
REMOVE ALL BURRS AND SHARP EDGES .015 MAX

TITLE		USED ON:	
SL 16 S LEG ASSEMBLY		JAYCO SENECA	
SIZE	SCALE	MATERIAL	
A	1:1	AS NOTED	
DRW BY:	DATE:	PART NAME:	
SJ	12/9/14	SL 16 S LEG ASSEMBLY	
APP'D BY:	DATE:	PAGE:	DWG NO.:
		3 OF 3	P7214-7949
			REV:

NOTICE - This drawing, including principles of design, is the property of Days Corporation, Elkhart, Indiana, with the agreement that it is not to be reproduced, copied, or loaned in any manner that may constitute a detriment directly or indirectly to Days Corporation. Acceptance of this will be construed as an agreement of the above.







Note:  
 On each pair of jacks in this system, one jack will have (1) 1124 fitting and the other will have (2) 1124 fittings.

<i>Equalizer</i> 55169 COUNTY ROAD 3 ELKHART, IN 46515	#	REVISIONS	BY:	DATE:	UNLESS OTHERWISE SPECIFIED: TOLERANCES: .XXX ± 0.010 .XX ± 0.010 .X ± 0.030 ANG. ± 1/2" REMOVE ALL BURRS AND SHARP EDGES .015 MAX	TITLE	USED ON:		
						SL 15 S LEG ASSEMBLY	JAYCO/ENTEGRA		
NOTICE - This drawing, including principles of design, is the property of Days Corporation, Elkhart, Indiana, with the agreement that it is not to be reproduced, copied, or loaned in any manner that may constitute a detriment directly or indirectly to Days Corporation. Acceptance of this will be construed as an agreement of the above.					SIZE	SCALE	MATERIAL		
					A	1:1	AS NOTED		
					DRW BY:	DATE:	PART NAME:		
					SJ	9/6/17	SL 15 S LEG ASSEMBLY		
					APP'D BY:	DATE:	PAGE:	DWG NO.:	REV:
					-	-	2 OF 2	P7636	-

7842 PARTS LIST (REAR JACKS)

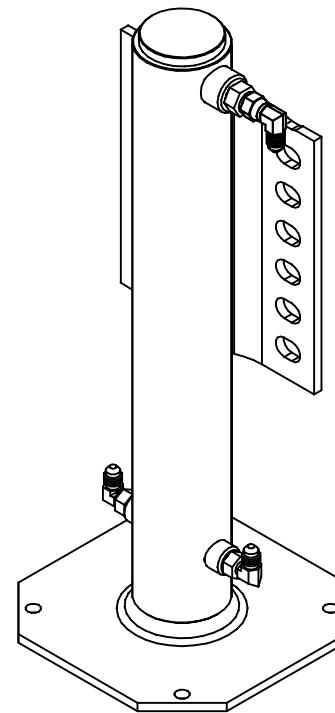
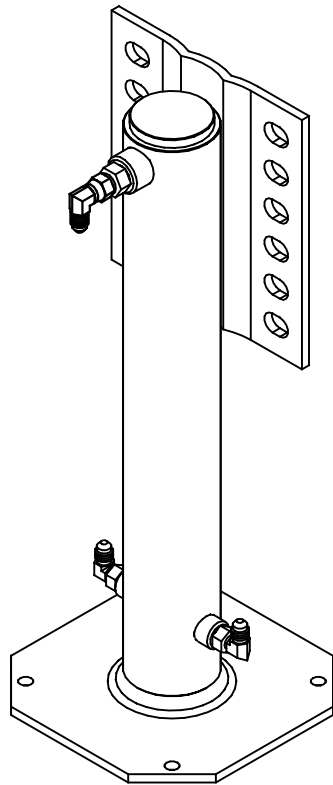
7842A PARTS LIST (FRONT JACKS)

PART#	DESCRIPTION	QUAN
3142	CYLINDER-SL 2 X 13 HP	1
3202	FOOT-SL 7 X 7	1
3203	NUT-3/4-16 NYLOCK JAM	1

PART#	DESCRIPTION	QUAN
3142A	CYLINDER-SL 2 X 13 LP	1
3202	FOOT-SL 7 X 7	1
3203	NUT-3/4-16 NYLOCK JAM	1

7949 PARTS LIST

PART#	DESCRIPTION	QUAN
1124	FITTING-#4 JIC X #4 OR MALE 90	6
1190	FITTING-#4 X #4 JIC SWIVEL 90	4
1403	FITTING-RESTRICTOR #6 X #4-042" ORIFICE	4



*Equalizer*

55169 COUNTY ROAD 3  
ELKHART, IN 46515

#	REVISIONS	BY:	DATE:

BY:	DATE:

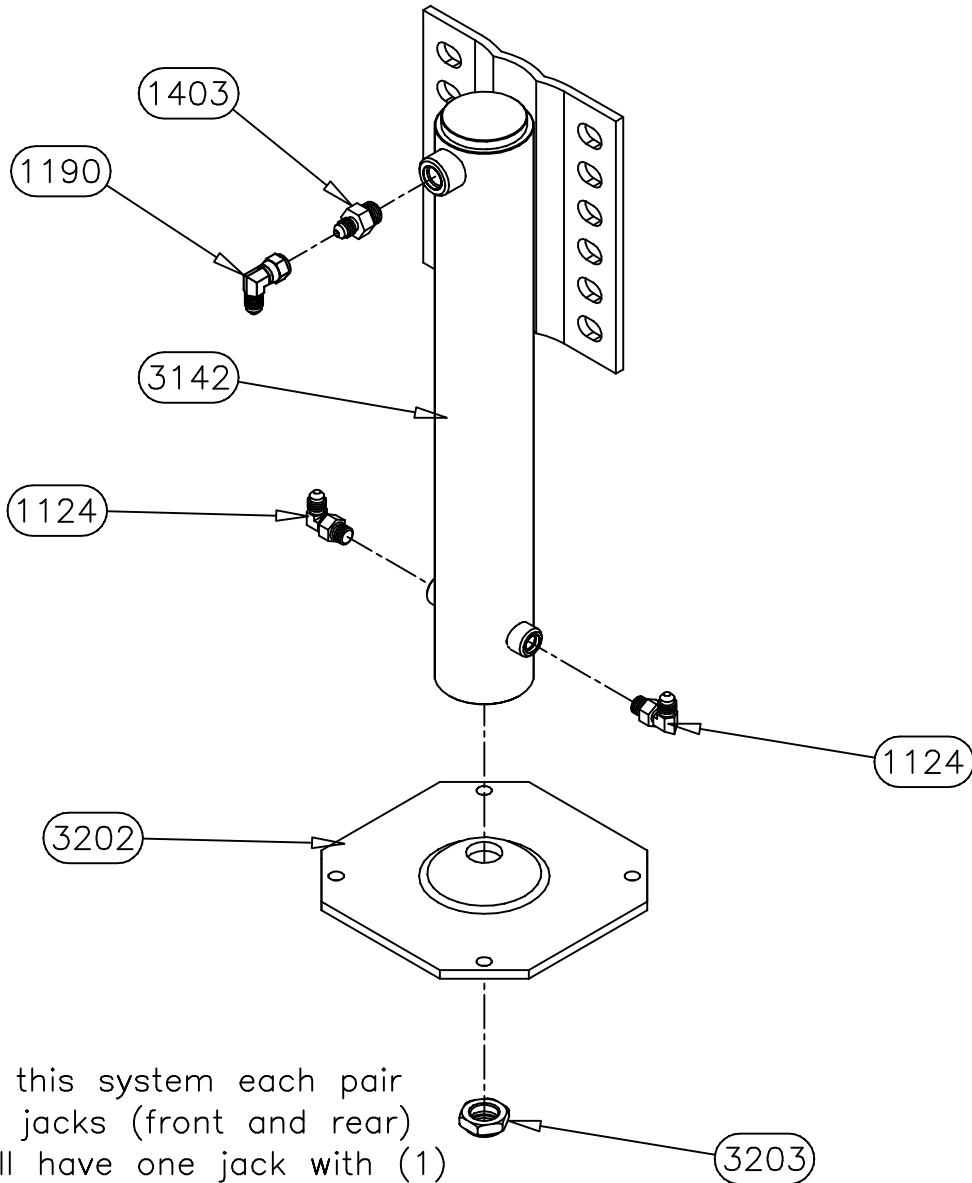
UNLESS OTHERWISE SPECIFIED:  
TOLERANCES:  
.XXX ± 0.010  
.XX ± 0.010  
.X ± 0.030  
ANG. ± 1/2"  
REMOVE ALL BURRS AND SHARP EDGES .015 MAX

TITLE	SCALE	MATERIAL
SL 13 LEG ASSEMBLIES	1:1	AS
DRW BY: SJ	DATE: 12/9/14	
APP'D BY: -	DATE: -	

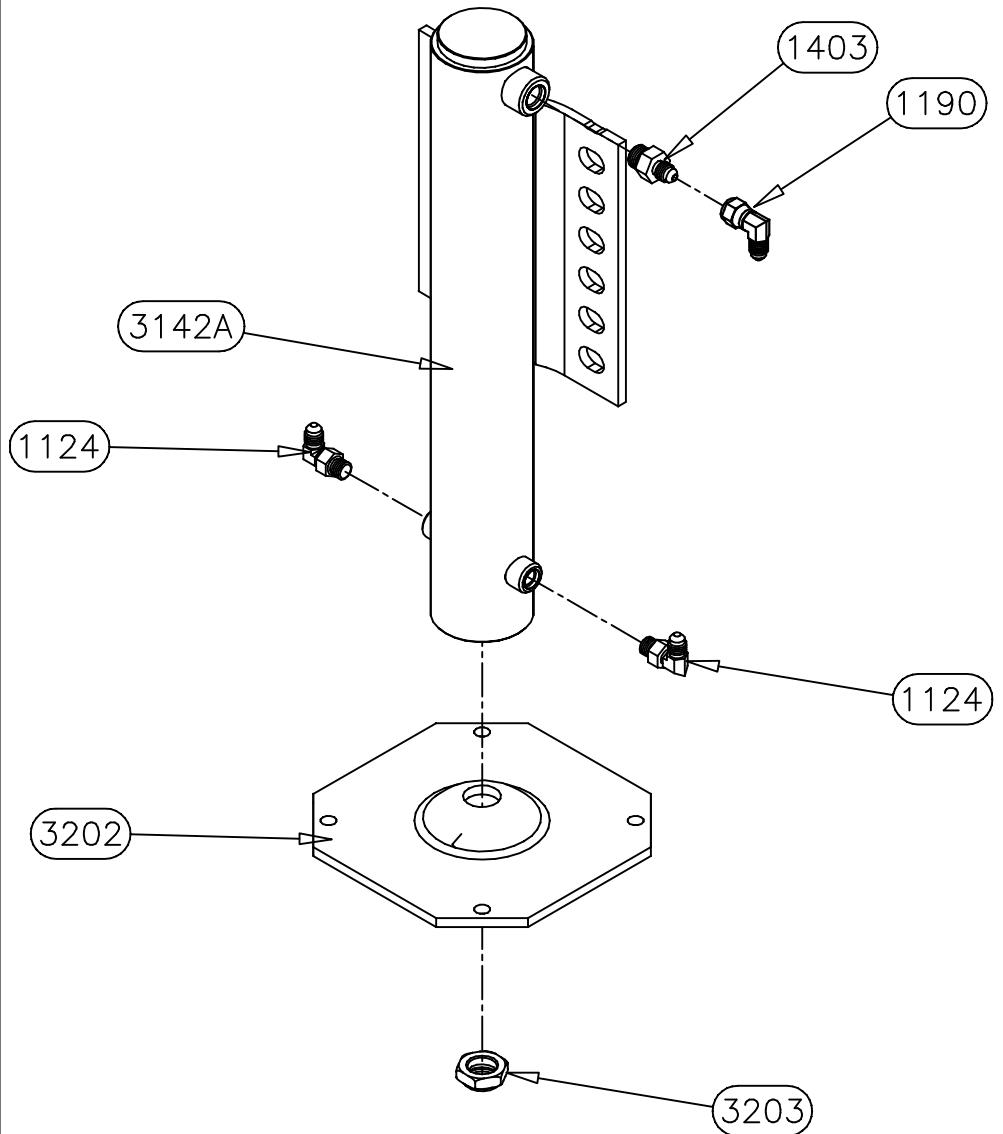
USED ON:	PART NAME:	PAGE:	DWG NO.:	REV:
JAYCO CLASS C	SL 13 HP-SL 13 LP LEG ASSEMBLIES	1 OF 4	P7842-7842A	-

NOTICE - This drawing, including principles of design, is the property of Days Corporation, Elkhart, Indiana, with the agreement that it is not to be reproduced, copied, or loaned in any manner that may constitute a detriment directly or indirectly to Days Corporation. Acceptance of this will be construed as an agreement of the above.

7842 REAR JACKS



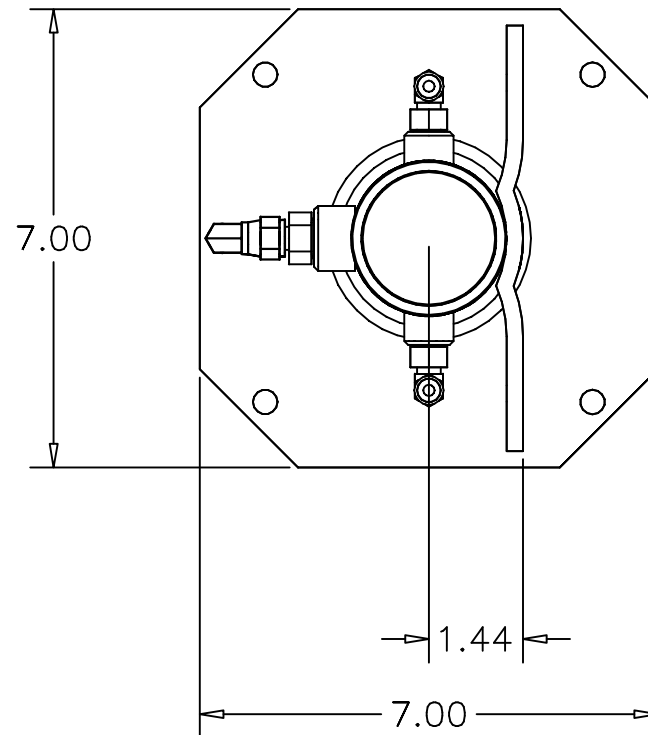
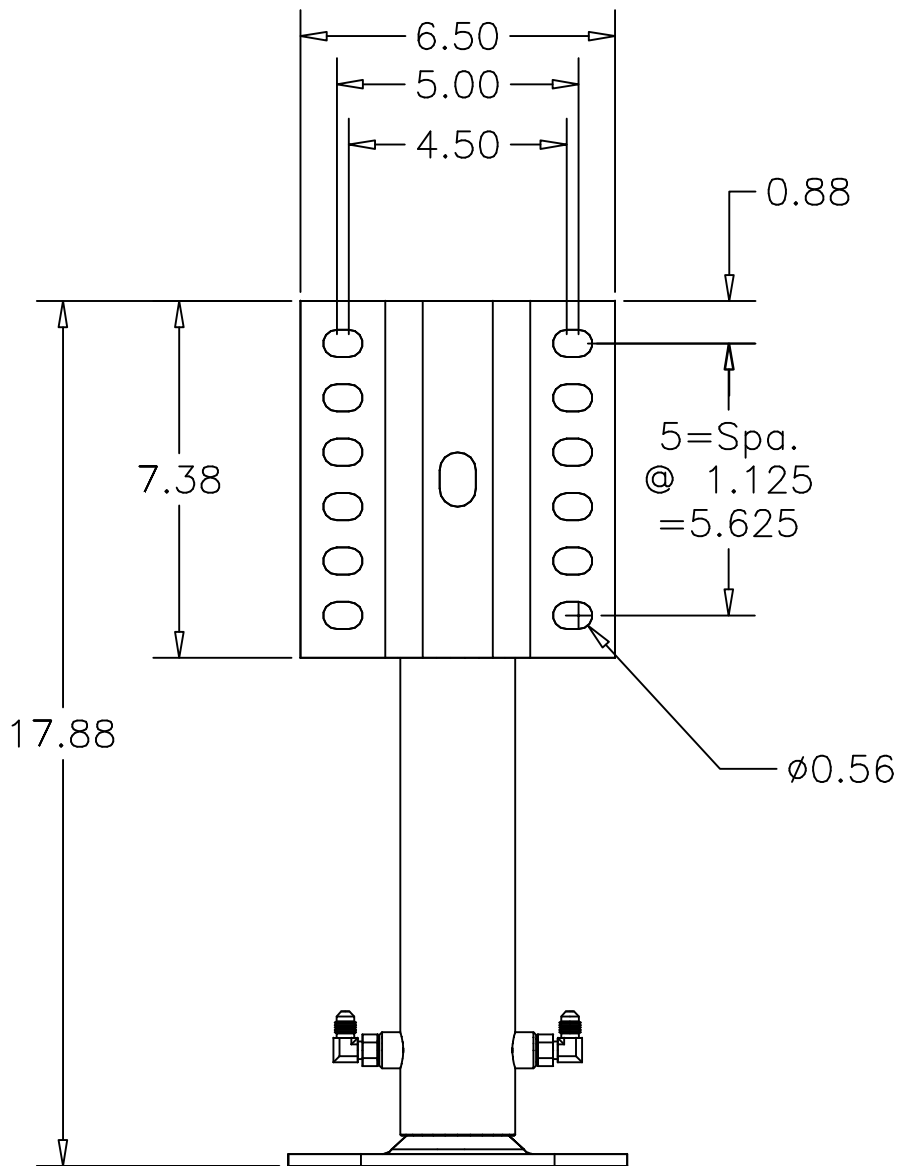
7842A FRONT JACKS



In this system each pair of jacks (front and rear) will have one jack with (1) 1124 fitting and one jack with (2) 1124 fittings.

<b>Equalizer</b> 55169 COUNTY ROAD 3 ELKHART, IN 46515	#	REVISIONS	BY:	DATE:	UNLESS OTHERWISE SPECIFIED: TOLERANCES: .XXX ± 0.010 .XX ± 0.010 .X ± 0.030 ANG. ± 1/2" REMOVE ALL BURRS AND SHARP EDGES .015 MAX	TITLE	USED ON:		
						SL 13 LEG ASSEMBLIES	JAYCO CLASS C		
NOTICE - This drawing, including principles of design, is the property of Days Corporation, Elkhart, Indiana, with the agreement that it is not to be reproduced, copied, or loaned in any manner that may constitute a detriment directly or indirectly to Days Corporation. Acceptance of this will be construed as an agreement of the above.					SIZE	SCALE	MATERIAL		
					A	1:1	AS NOTED		
					DRW BY:	DATE:	PART NAME:		
					SJ	12/9/14	SL 13 HP-SL 13 LP LEG ASSEMBLIES		
					APP'D BY:	DATE:	PAGE:	DWG NO.:	REV:
					-	-	2 OF 4	P7842-7842A	-

7842 REAR JACKS



*Equalizer*

55169 COUNTY ROAD 3  
ELKHART, IN 46515

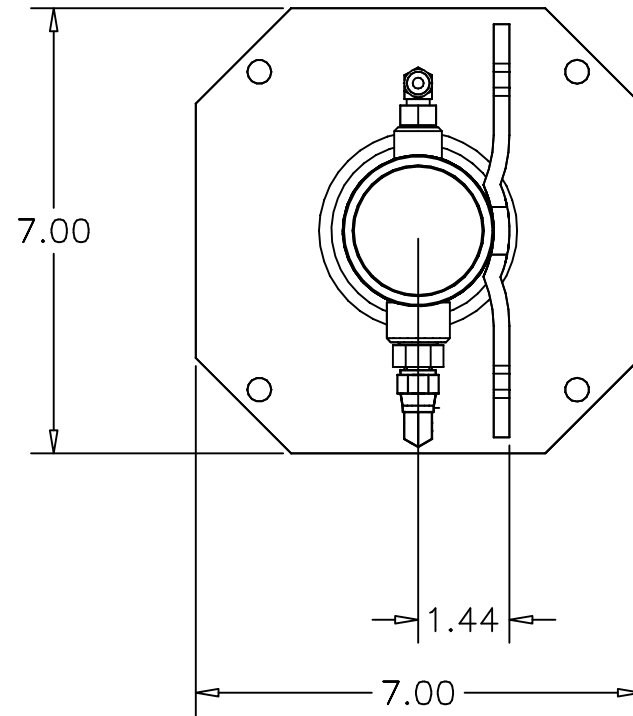
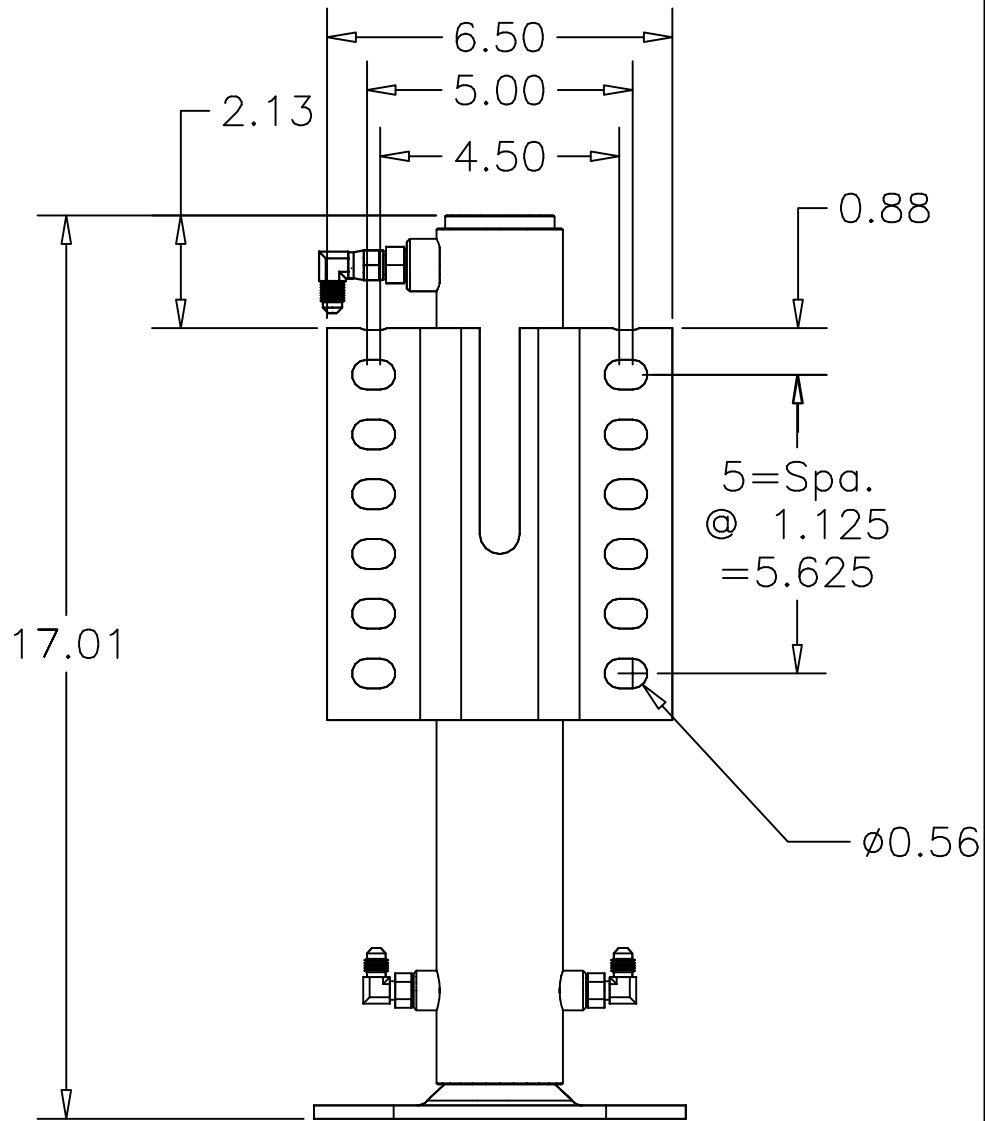
#	REVISIONS	BY:	DATE:

NOTICE - This drawing, including principles of design, is the property of Days Corporation, Elkhart, Indiana, with the agreement that it is not to be reproduced, copied, or loaned in any manner that may constitute a detriment directly or indirectly to Days Corporation. Acceptance of this will be construed as an agreement of the above.

UNLESS OTHERWISE SPECIFIED:  
TOLERANCES:  
.XXX ± 0.010  
.XX ± 0.010  
.X ± 0.030  
ANG. ± 1/2"  
REMOVE ALL BURRS AND SHARP EDGES .015 MAX

TITLE		USED ON:	
SL 13 LEG ASSEMBLIES		JAYCO CLASS C	
SIZE	SCALE	MATERIAL	
A	1:1	AS NOTED	
DRW BY:	DATE:	PART NAME:	
SJ	12/9/14	SL 13 HP-SL 13 LP LEG ASSEMBLIES	
APP'D BY	DATE:	PAGE:	DWG NO.:
-	-	3 OF 4	P7842-7842A
			REV:
			-

# 7842A FRONT JACKS



*Equalizer*

55169 COUNTY ROAD 3  
ELKHART, IN 46515

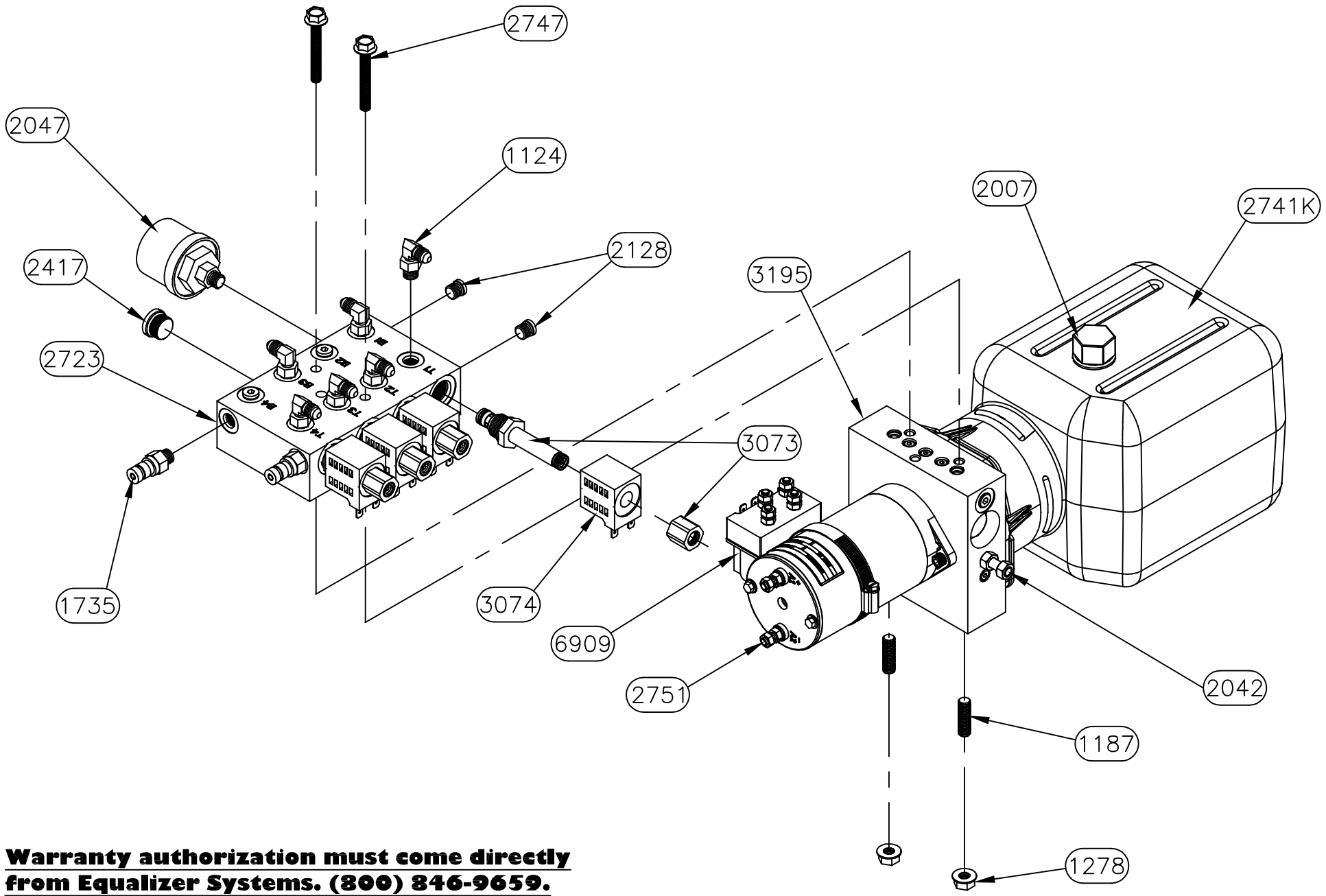
#	REVISIONS	BY:	DATE:

UNLESS OTHERWISE SPECIFIED:  
TOLERANCES:  
.XXX ± 0.010  
.XX ± 0.010  
.X ± 0.030  
ANG. ± 1/2"  
REMOVE ALL BURRS AND SHARP EDGES .015 MAX

TITLE SL 13 LEG ASSEMBLIES		USED ON: JAYCO CLASS C	
SIZE A	SCALE 1:1	MATERIAL AS NOTED	
DRW BY: SJ	DATE: 12/9/14	PART NAME: SL 13 HP-SL 13 LP LEG ASSEMBLIES	
APP'D BY: -	DATE: -	PAGE: 4 OF 4	DWG NO.: P7842-7842A
			REV: -

NOTICE - This drawing, including principles of design, is the property of Days Corporation, Elkhart, Indiana, with the agreement that it is not to be reproduced, copied, or loaned in any manner that may constitute a detriment directly or indirectly to Days Corporation. Acceptance of this will be construed as an agreement of the above.





**Warranty authorization must come directly from Equalizer Systems. (800) 846-9659.**

<b>Equalizer</b> 55169 COUNTY ROAD 3 ELKHART, IN 46515	#	REVISIONS	BY:	DATE:	UNLESS OTHERWISE SPECIFIED: TOLERANCES: .XXX ± 0.010 .XX ± 0.010 .X ± 0.030 ANG. ± 1/2" REMOVE ALL BURRS AND SHARP EDGES .015 MAX	TITLE	USED ON:	
	NOTICE - This drawing, including principles of design, is the property of Days Corporation, Elkhart, Indiana, with the agreement that it is not to be reproduced, copied, or loaned in any manner that may constitute a detriment directly or indirectly to Days Corporation. Acceptance of this will be construed as an agreement of the above.						4 FUNCTION PUMP SIZE SCALE MATERIAL A 1: 1	JAYCO REDHAWK & GREYHAWK PART NAME: PUMP & MAN 4 FUNC BIROT 3 IN-FRD
						DRW BY: SJ APP'D BY: -	DATE: 12/10/14 DATE: -	PAGE: 2 OF 2 DWG NO.: P7948 REV: -

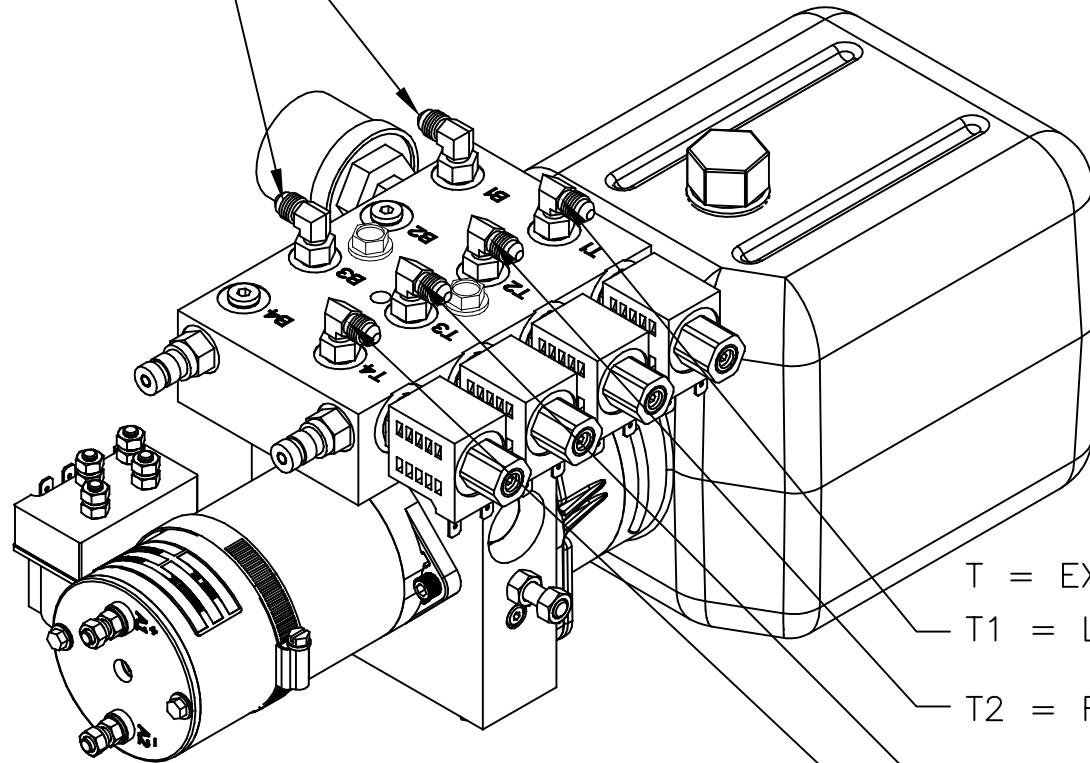


# HYDRAULIC HOSE CONNECTIONS 7948 PUMP

B = RETRACT FUNCTION

B1 = LEFT FRONT JACK  
(BROWN/BLACK)

B3 = LEFT REAR JACK  
(ORANGE/BLACK)



T = EXTEND FUNCTION

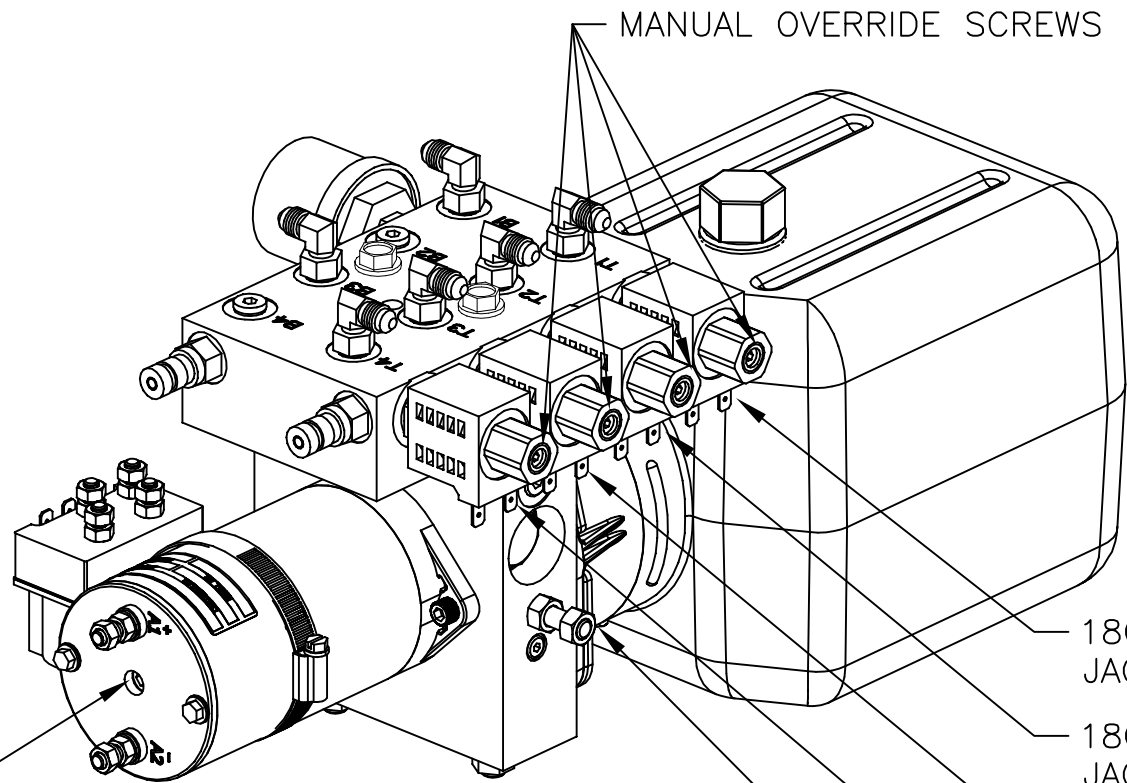
T1 = LEFT FRONT JACK (BROWN)

T2 = RIGHT FRONT JACK (WHITE)

T3 = LEFT REAR JACK (ORANGE)

T4 = RIGHT REAR JACK (YELLOW)

# 7948 PUMP WIRING



1/4" ALLEN SOCKET MANUAL  
OVERRIDE LOCATED UNDER  
STICKER

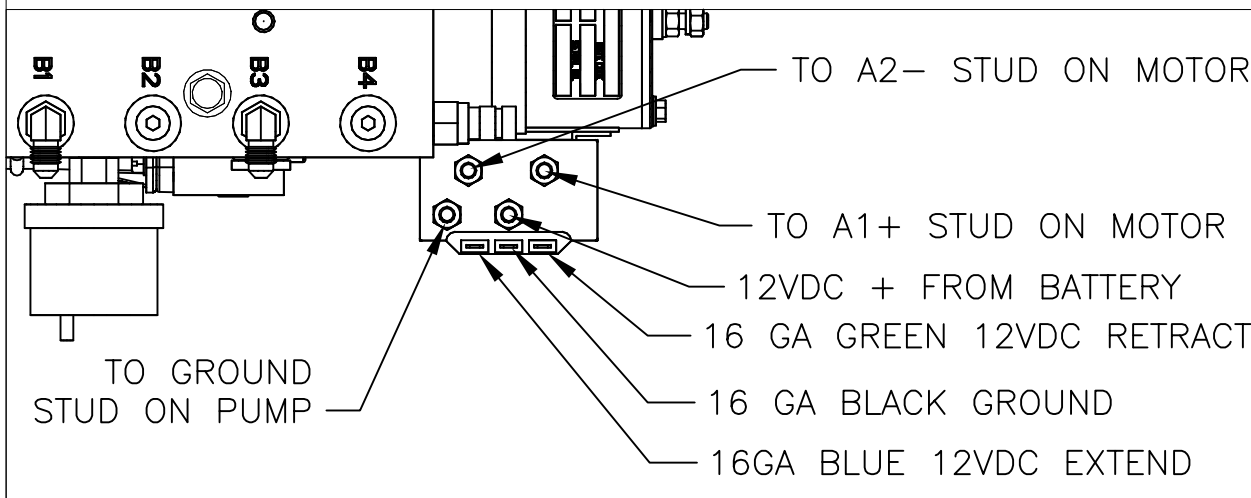
18GA BROWN 12VDC LEFT FRONT  
JACK-16GA BLACK GROUND

18GA WHITE 12VDC RIGHT FRONT  
JACK-16GA BLACK GROUND

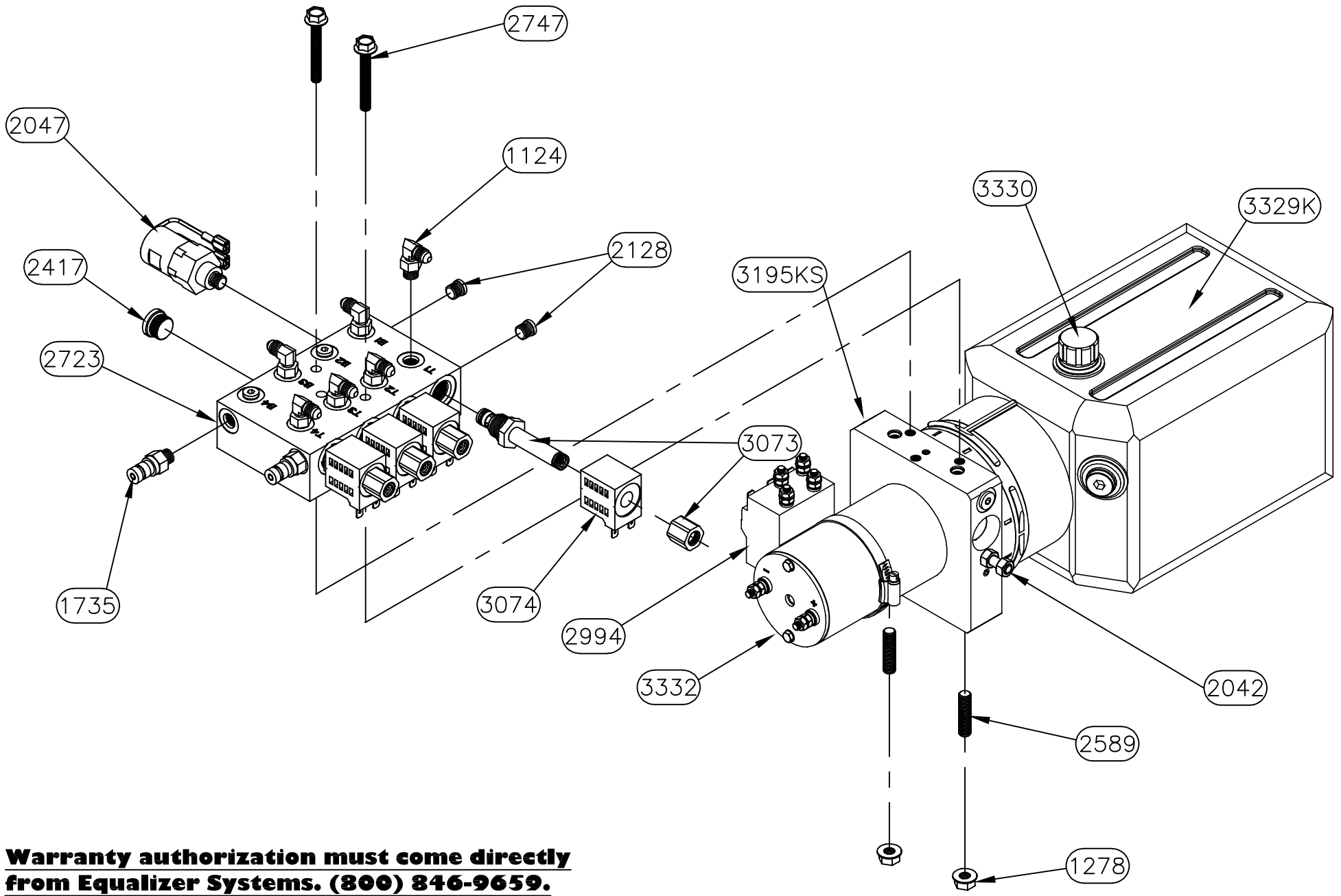
18GA ORANGE 12VDC LEFT REAR  
JACK-16GA BLACK GROUND

18GA YELLOW 12VDC RIGHT REAR  
JACK-16GA BLACK GROUND

GROUND STUD FOR PUMP ASSEMBLY







**Warranty authorization must come directly from Equalizer Systems. (800) 846-9659.**

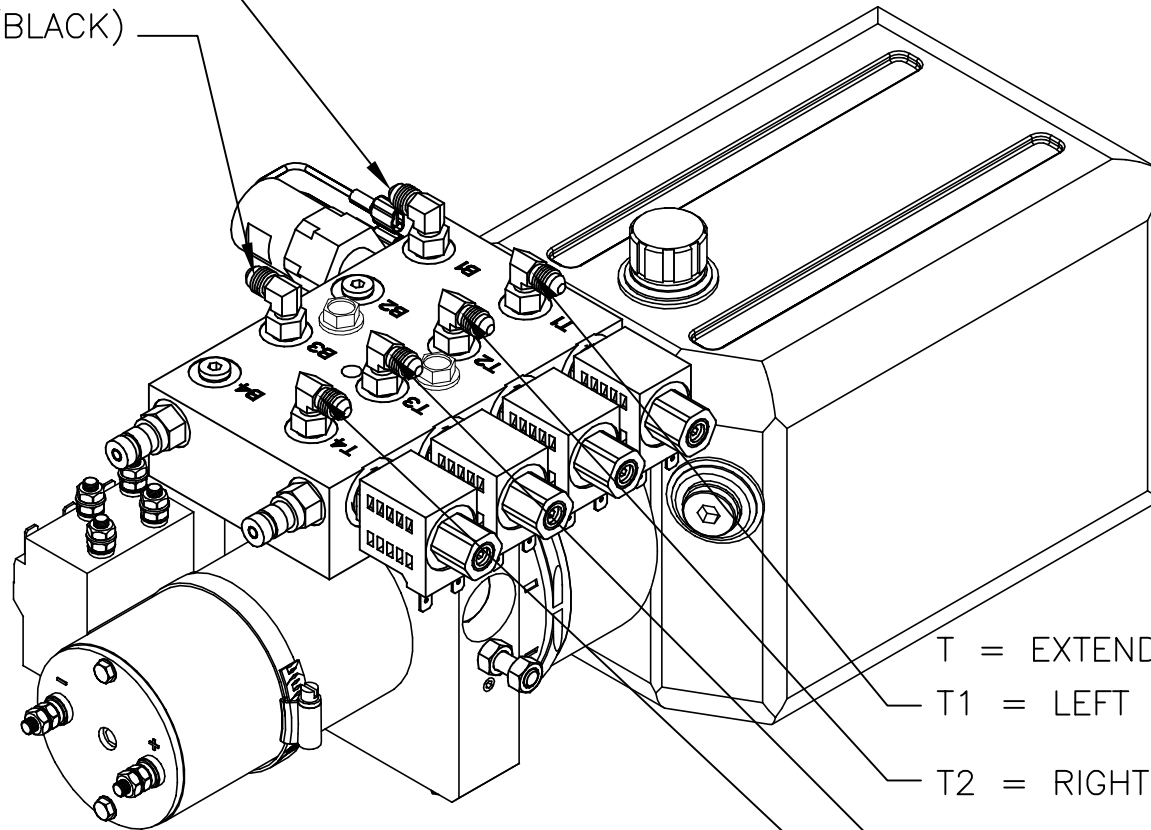
<b>Equalizer</b> 55169 COUNTY ROAD 3 ELKHART, IN 46515	#	REVISIONS	BY:	DATE:	UNLESS OTHERWISE SPECIFIED: TOLERANCES: .XXX ± 0.010 .XX ± 0.010 .X ± 0.030 ANG. ± 1/2" REMOVE ALL BURRS AND SHARP EDGES .015 MAX	TITLE	USED ON:
	NOTICE - This drawing, including principles of design, is the property of Days Corporation, Elkhart, Indiana, with the agreement that it is not to be reproduced, copied, or loaned in any manner that may constitute a detriment directly or indirectly to Days Corporation. Acceptance of this will be construed as an agreement of the above.						4 FUNCTION PUMP SIZE SCALE MATERIAL A 1: 1
						DRW BY: SJ DATE: 5/30/17	PART NAME: PUMP & MAN 4 FUNC BIROT-KS
						APP'D BY: - DATE: -	PAGE: 2 OF 2 DWG NO.: P7948KS REV: -

# HYDRAULIC HOSE CONNECTIONS 7948KS PUMP

B = RETRACT FUNCTION

B1 = LEFT FRONT JACK  
(BROWN/BLACK)

B3 = LEFT REAR JACK  
(ORANGE/BLACK)



T = EXTEND FUNCTION

T1 = LEFT FRONT JACK (BROWN)

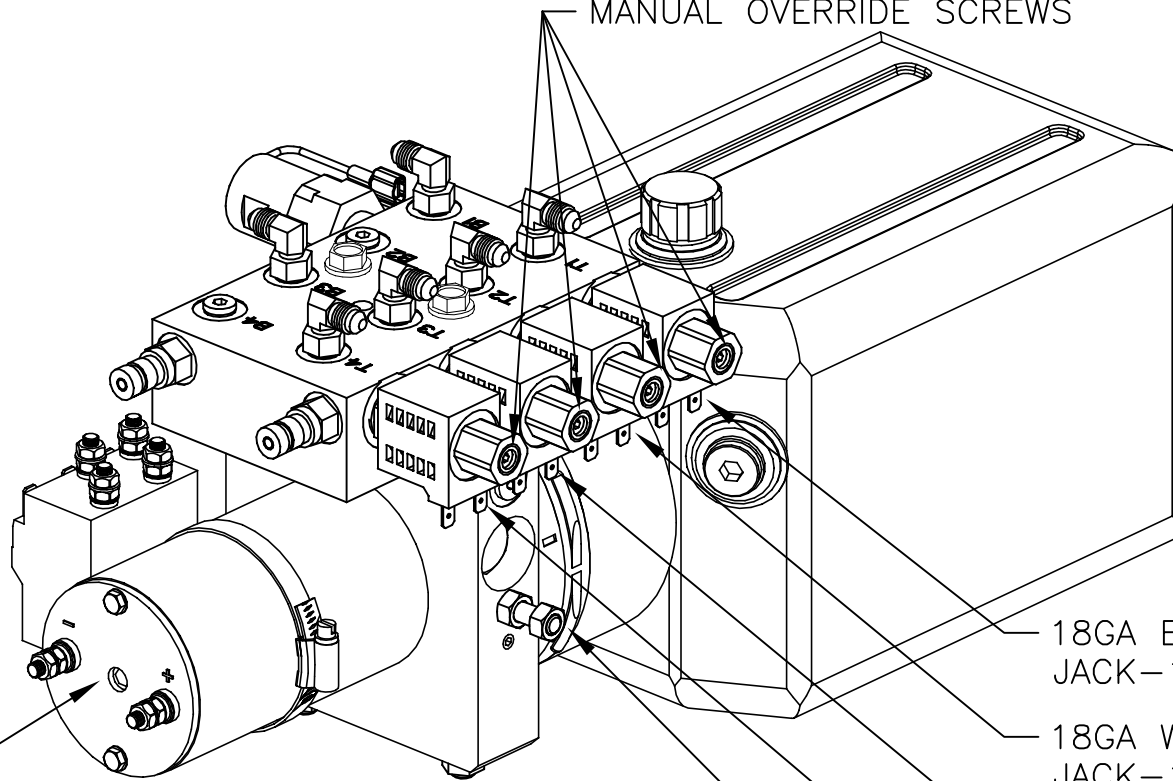
T2 = RIGHT FRONT JACK (WHITE)

T3 = LEFT REAR JACK (ORANGE)

T4 = RIGHT REAR JACK (YELLOW)

# 7948KS PUMP WIRING

MANUAL OVERRIDE SCREWS



1/4" ALLEN SOCKET MANUAL  
OVERRIDE LOCATED UNDER  
STICKER

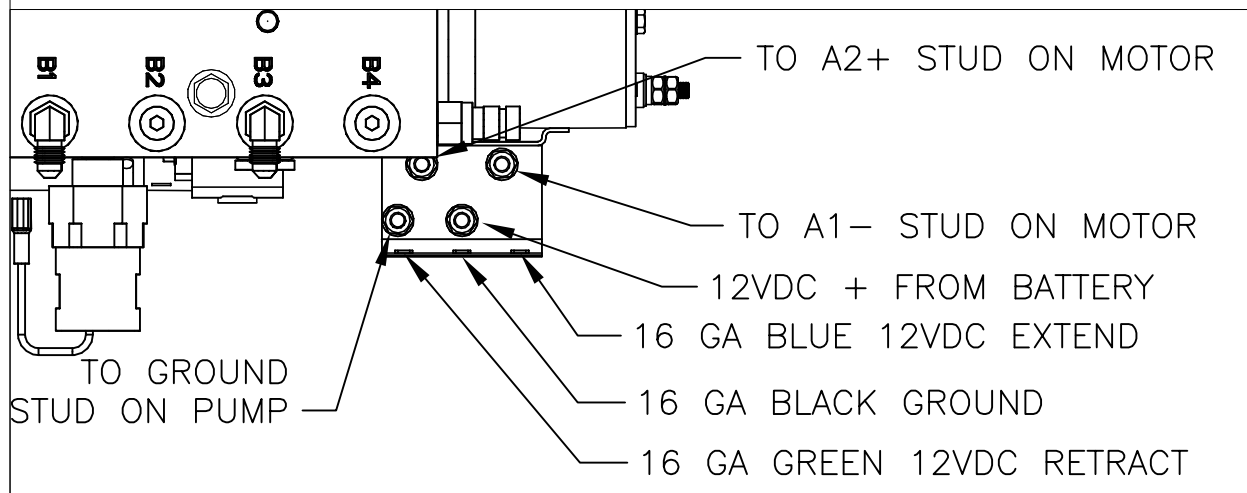
18GA BROWN 12VDC LEFT FRONT  
JACK-16GA BLACK GROUND

18GA WHITE 12VDC RIGHT FRONT  
JACK-16GA BLACK GROUND

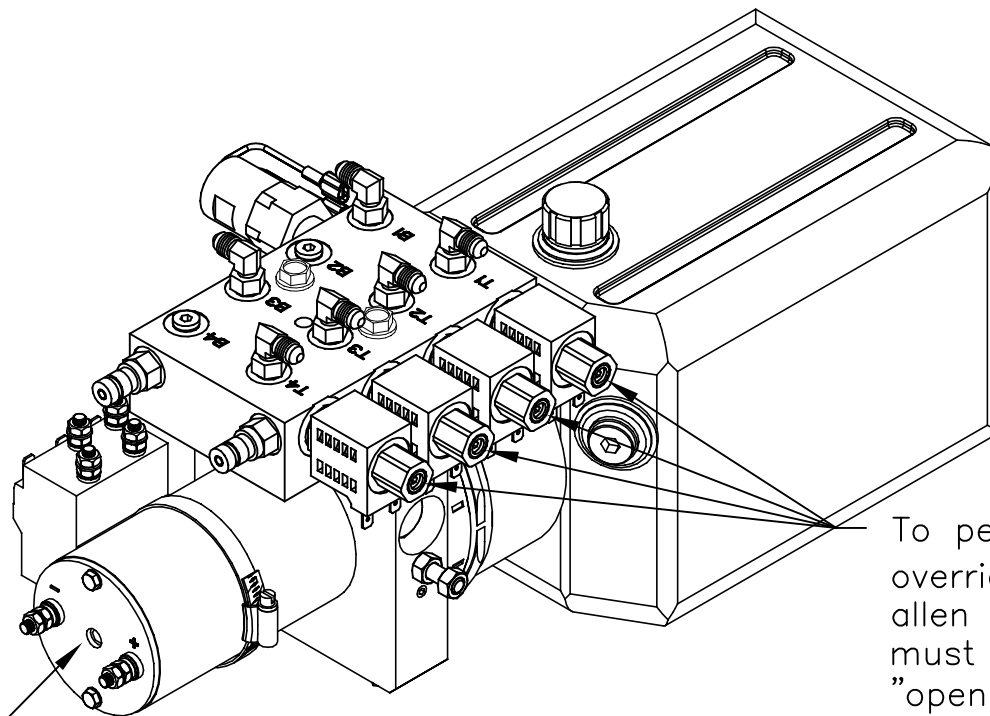
18GA ORANGE 12VDC LEFT REAR  
JACK-16GA BLACK GROUND

18GA YELLOW 12VDC RIGHT REAR  
JACK-16GA BLACK GROUND

GROUND STUD FOR PUMP ASSEMBLY



## Small Bi-Rotational Pump Assembly

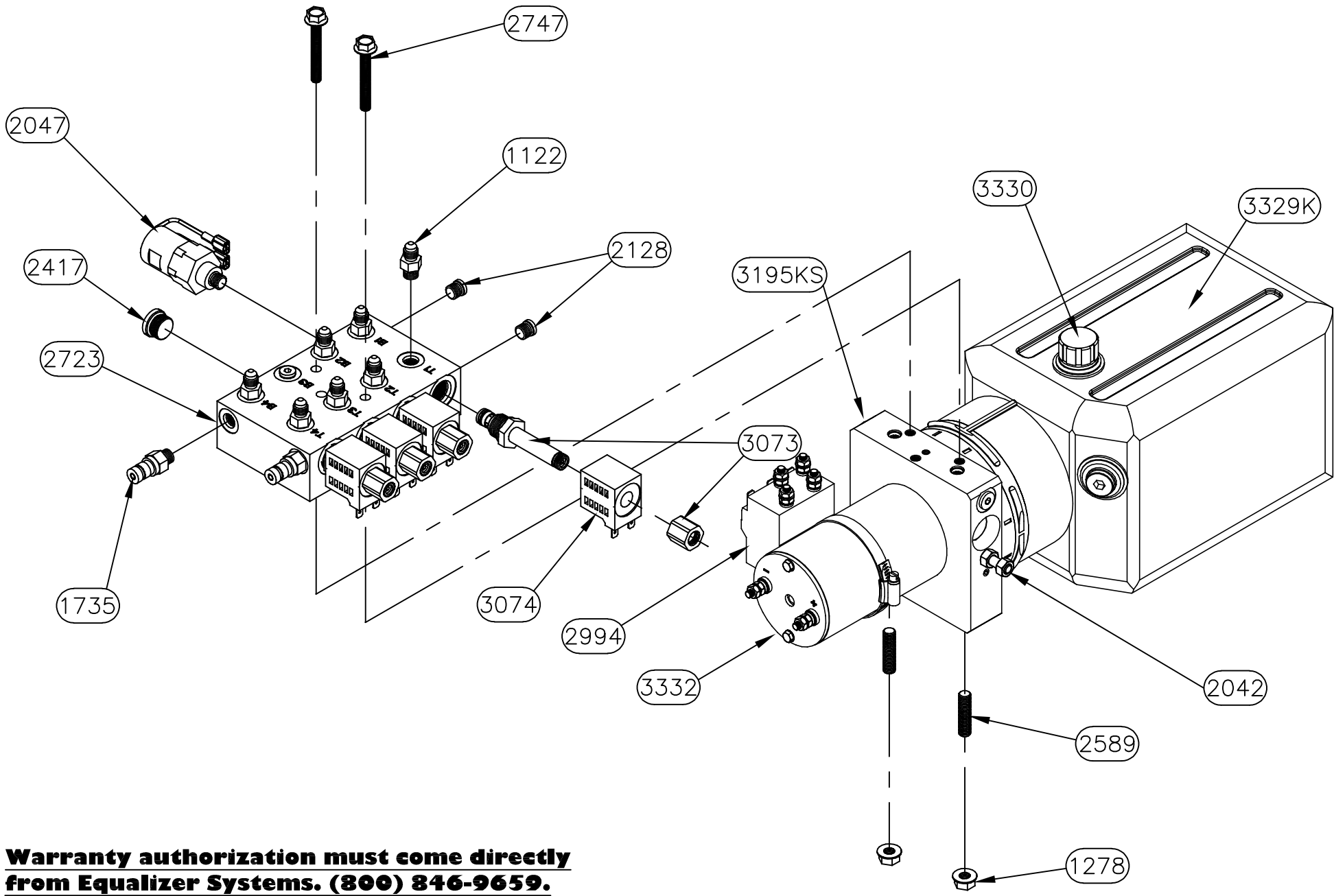


Manual override screw, 1/4" allen head, is under this sticker. Using a 2000 rpm minimum drill, retract jacks by turning counter clockwise. To extend, turn screw clockwise.

To perform the manual override procedure, using a 1/8" allen wrench, all set screws must be turned clockwise "open" until they are snug. Once all levelers are retracted, turn all valve screws counter clockwise "closed" until snug.





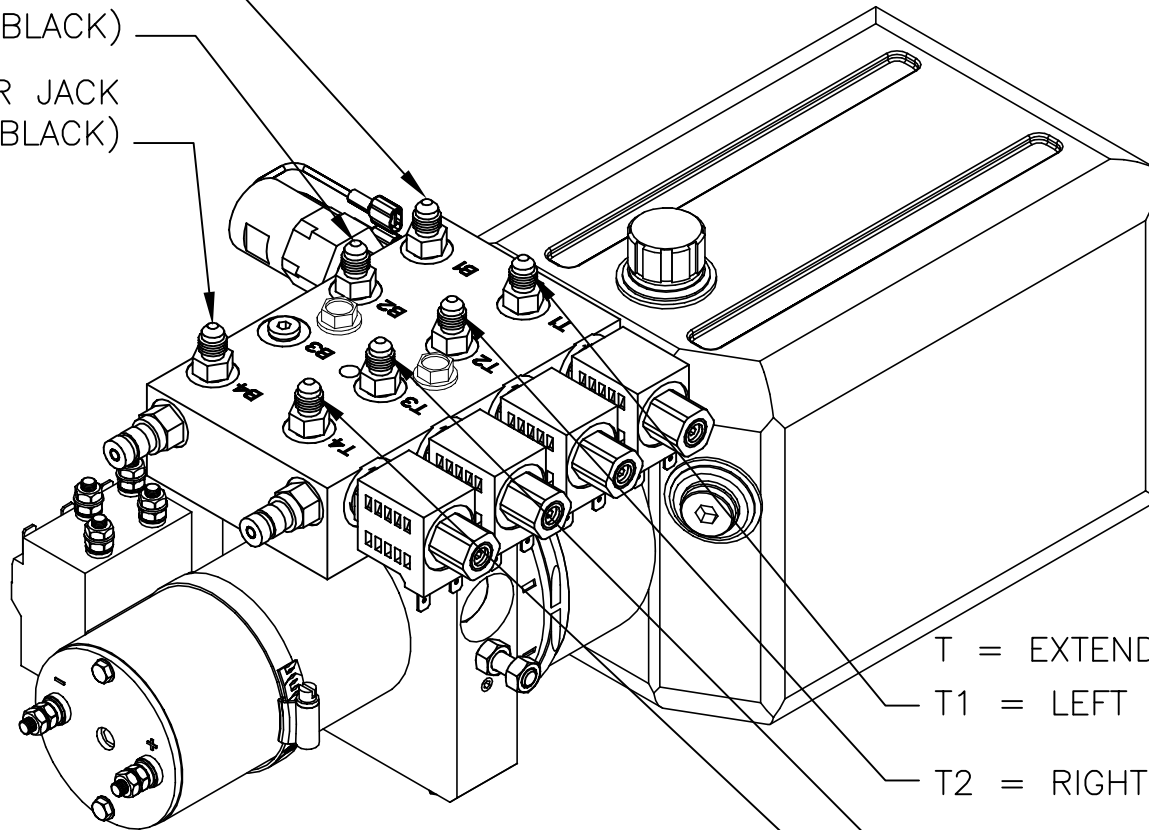


**Warranty authorization must come directly from Equalizer Systems. (800) 846-9659.**

<b>Equalizer</b> 55169 COUNTY ROAD 3 ELKHART, IN 46515	#	REVISIONS	BY:	DATE:	UNLESS OTHERWISE SPECIFIED: TOLERANCES: .XXX ± 0.010 .XX ± 0.010 .X ± 0.030 ANG. ± 1/2" REMOVE ALL BURRS AND SHARP EDGES .015 MAX	TITLE	USED ON:
	NOTICE - This drawing, including principles of design, is the property of Days Corporation, Elkhart, Indiana, with the agreement that it is not to be reproduced, copied, or loaned in any manner that may constitute a detriment directly or indirectly to Days Corporation. Acceptance of this will be construed as an agreement of the above.						4 FUNCTION PUMP SIZE SCALE MATERIAL A 1: 1
						DRW BY: SJ DATE: 6/12/17 APP'D BY: - DATE: -	PAGE: 2 OF 2 DWG NO.: P7953KS REV: -

# HYDRAULIC HOSE CONNECTIONS 7953KS PUMP

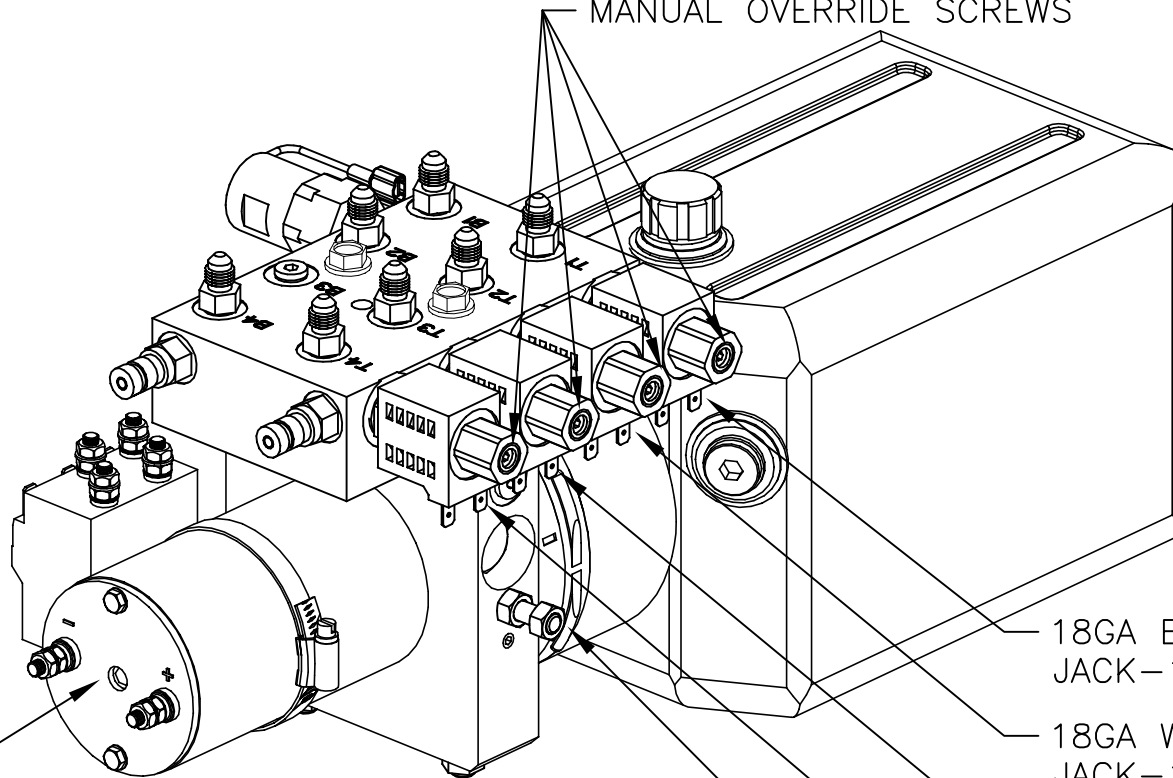
- B = RETRACT FUNCTION
- B1 = LEFT FRONT JACK  
(BROWN/BLACK)
- B2 = RIGHT FRONT JACK  
(WHITE/BLACK)
- B4 = RIGHT REAR JACK  
(YELLOW/BLACK)



- T = EXTEND FUNCTION
- T1 = LEFT FRONT JACK (BROWN)
- T2 = RIGHT FRONT JACK (WHITE)
- T3 = LEFT REAR JACK (ORANGE)
- T4 = RIGHT REAR JACK (YELLOW)

# 7953KS PUMP WIRING

MANUAL OVERRIDE SCREWS



1/4" ALLEN SOCKET MANUAL  
OVERRIDE LOCATED UNDER  
STICKER

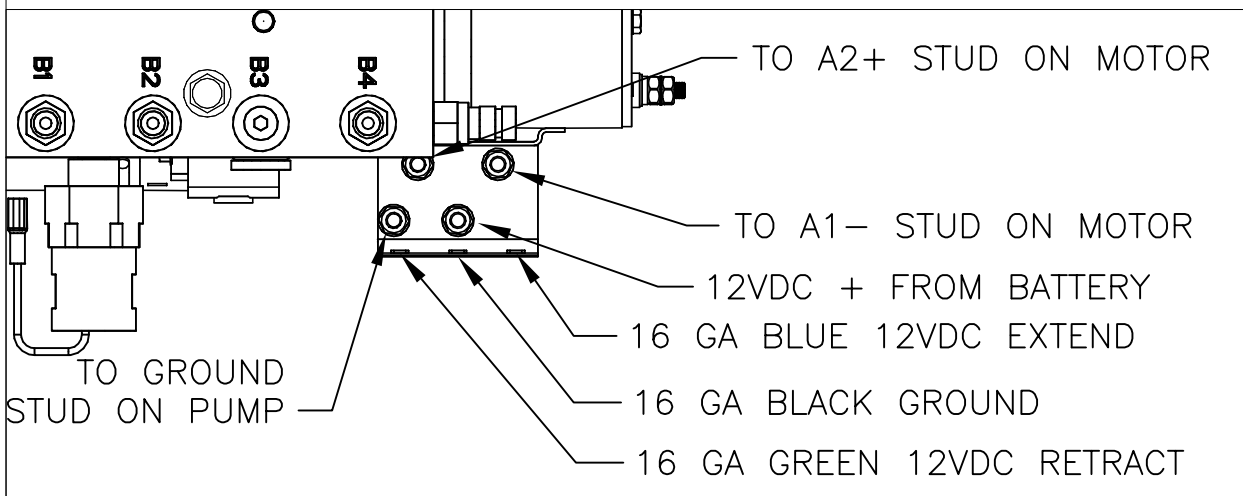
18GA BROWN 12VDC LEFT FRONT  
JACK-16GA BLACK GROUND

18GA WHITE 12VDC RIGHT FRONT  
JACK-16GA BLACK GROUND

18GA ORANGE 12VDC LEFT REAR  
JACK-16GA BLACK GROUND

18GA YELLOW 12VDC RIGHT REAR  
JACK-16GA BLACK GROUND

GROUND STUD FOR PUMP ASSEMBLY



TO A2+ STUD ON MOTOR

TO A1- STUD ON MOTOR

12VDC + FROM BATTERY

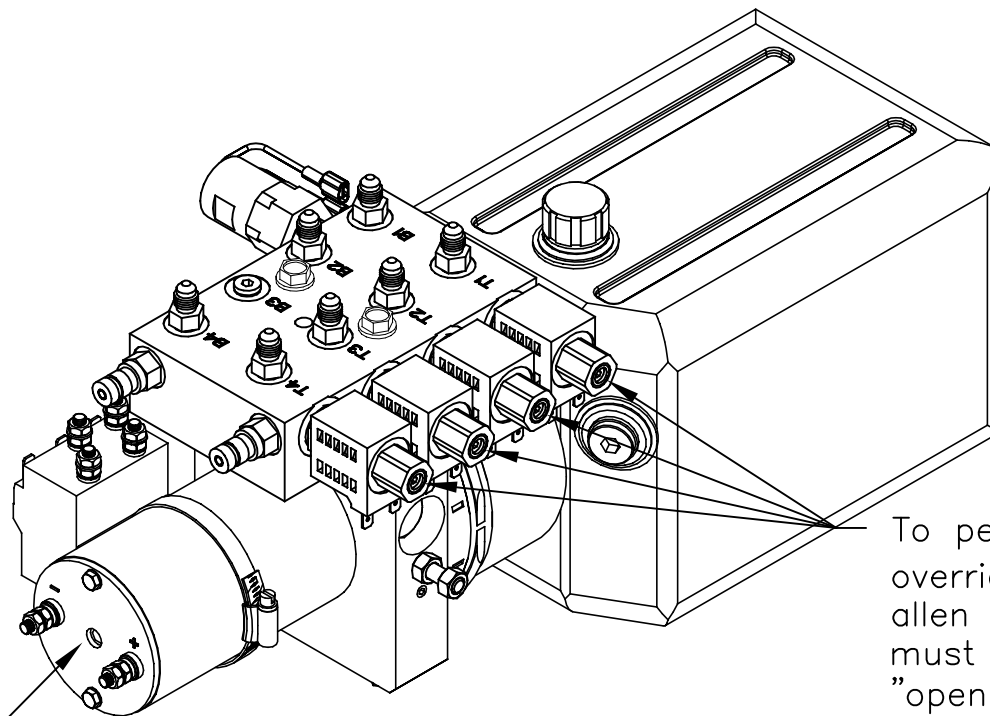
16 GA BLUE 12VDC EXTEND

16 GA BLACK GROUND

16 GA GREEN 12VDC RETRACT

TO GROUND  
STUD ON PUMP

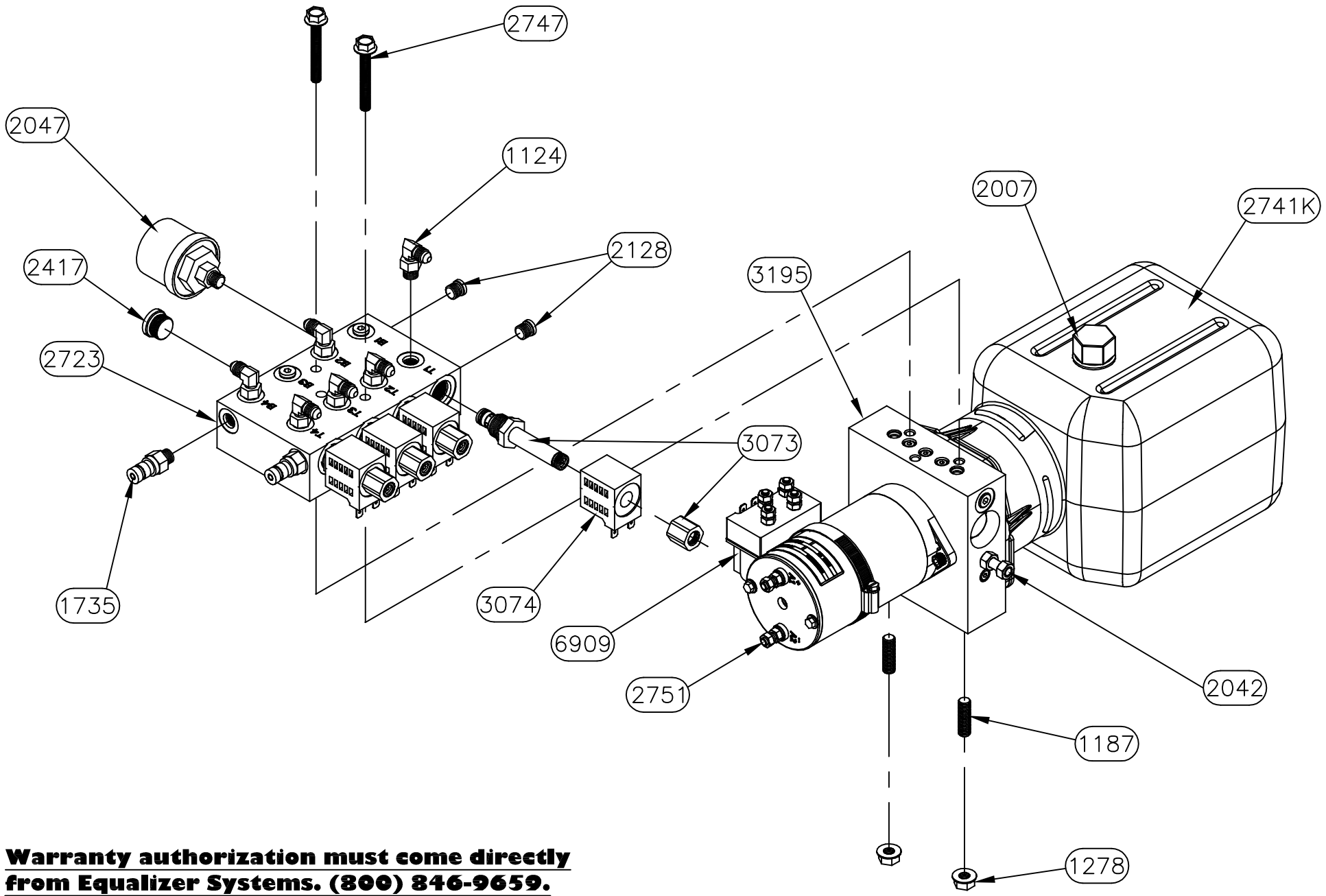
## Small Bi-Rotational Pump Assembly



Manual override screw, 1/4" allen head, is under this sticker. Using a 2000 rpm minimum drill, retract jacks by turning counter clockwise. To extend, turn screw clockwise.

To perform the manual override procedure, using a 1/8" allen wrench, all set screws must be turned clockwise "open" until they are snug. Once all levelers are retracted, turn all valve screws counter clockwise "closed" until snug.



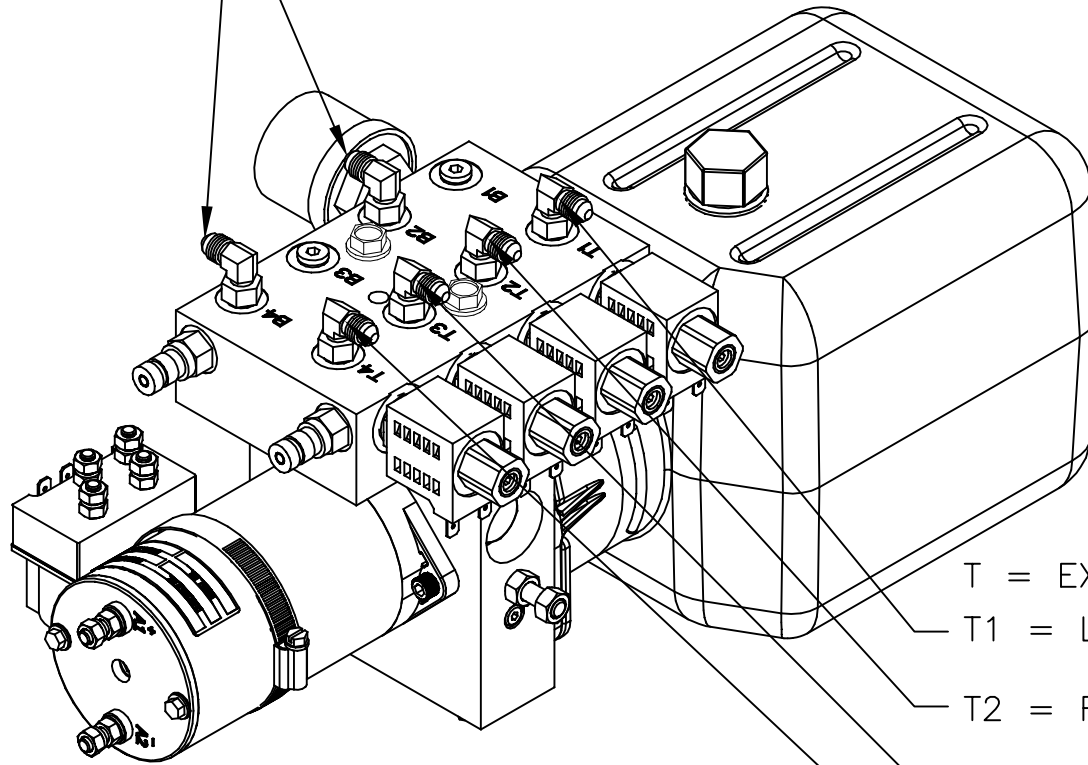


**Warranty authorization must come directly from Equalizer Systems. (800) 846-9659.**

<b>Equalizer</b> 55169 COUNTY ROAD 3 ELKHART, IN 46515	#	REVISIONS	BY:	DATE:	UNLESS OTHERWISE SPECIFIED: TOLERANCES: .XXX ± 0.010 .XX ± 0.010 .X ± 0.030 ANG. ± 1/2" REMOVE ALL BURRS AND SHARP EDGES .015 MAX	TITLE	USED ON:
	NOTICE - This drawing, including principles of design, is the property of Days Corporation, Elkhart, Indiana, with the agreement that it is not to be reproduced, copied, or loaned in any manner that may constitute a detriment directly or indirectly to Days Corporation. Acceptance of this will be construed as an agreement of the above.						4 FUNCTION PUMP SIZE SCALE MATERIAL A 1: 1
						DRW BY: SJ DATE: 12/10/14 APP'D BY: - DATE: -	PAGE: 2 OF 2 DWG NO.: P7960 REV: -

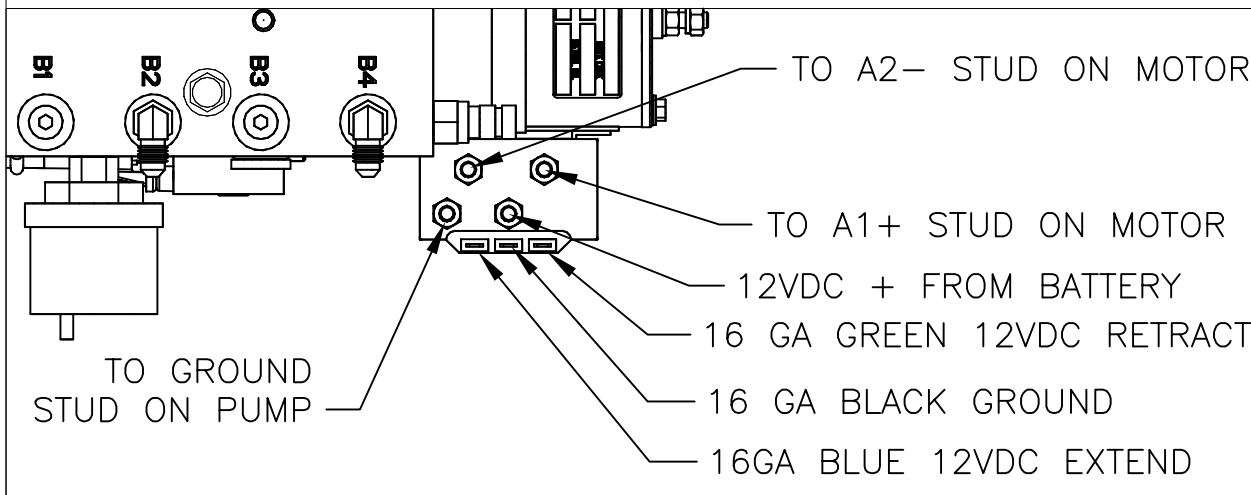
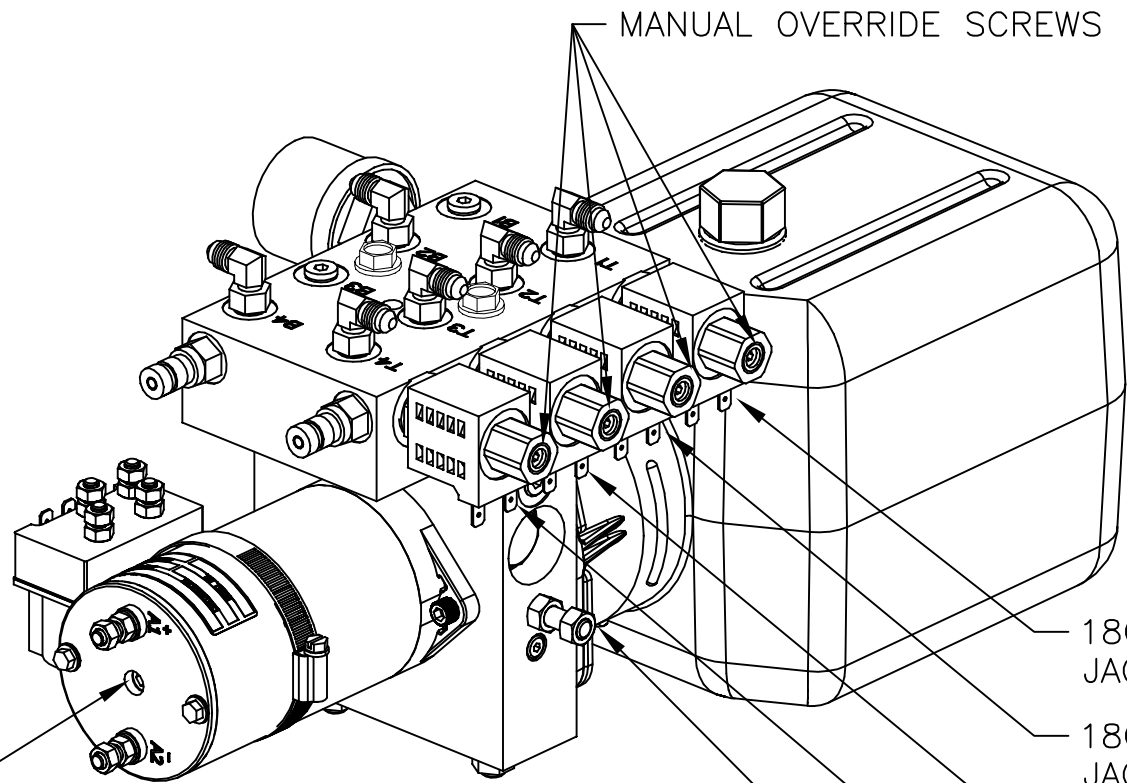
# HYDRAULIC HOSE CONNECTIONS 7960 PUMP

- B = RETRACT FUNCTION
- B2 = RIGHT FRONT JACK  
(WHITE/BLACK)
- B4 = RIGHT REAR JACK  
(YELLOW/BLACK)



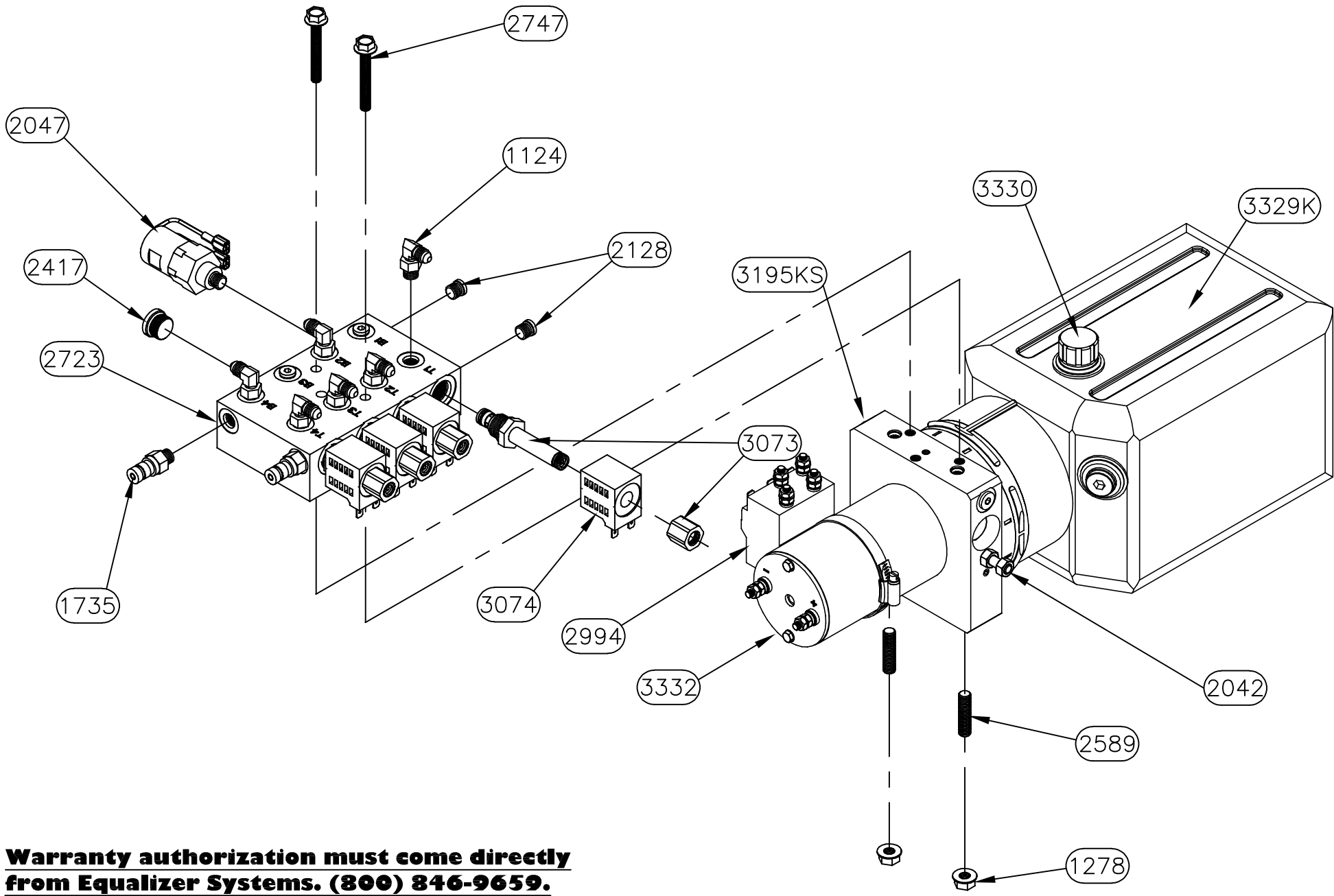
- T = EXTEND FUNCTION
- T1 = LEFT FRONT JACK (BROWN)
- T2 = RIGHT FRONT JACK (WHITE)
- T3 = LEFT REAR JACK (ORANGE)
- T4 = RIGHT REAR JACK (YELLOW)

# 7960 PUMP WIRING









**Warranty authorization must come directly from Equalizer Systems. (800) 846-9659.**

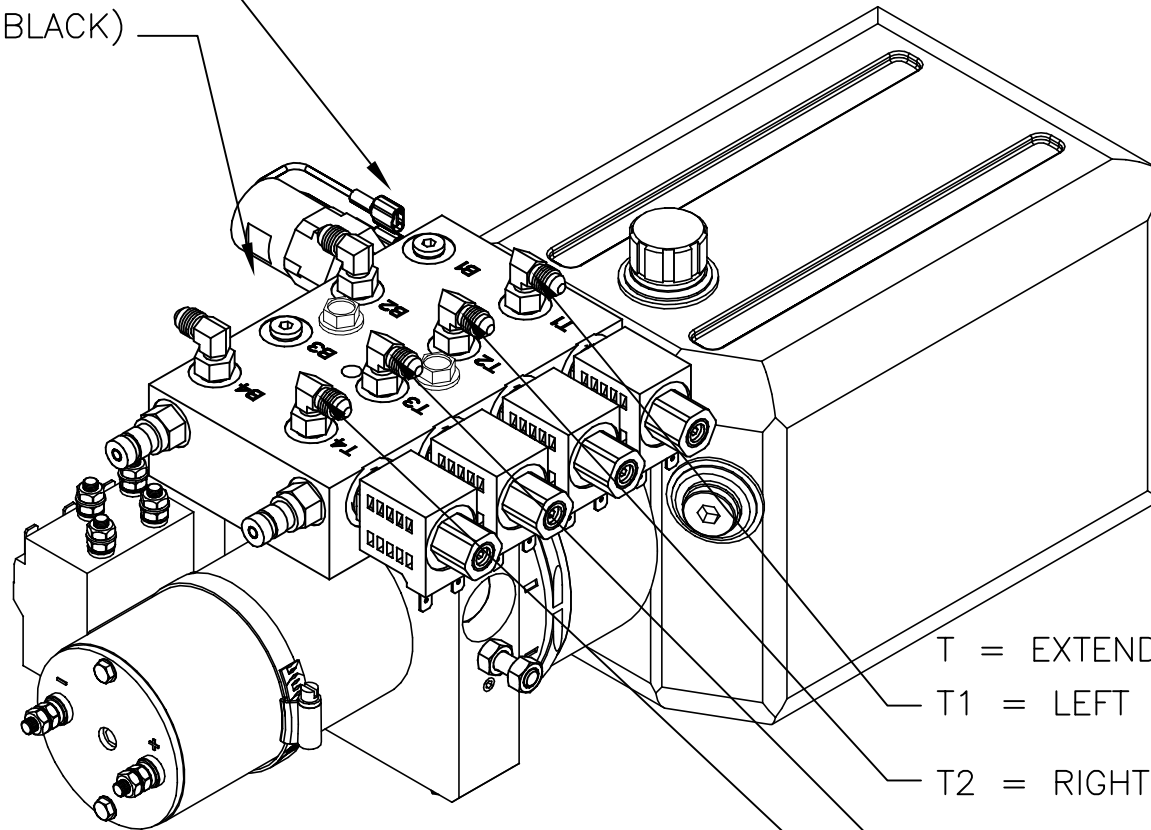
<b>Equalizer</b> 55169 COUNTY ROAD 3 ELKHART, IN 46515	#	REVISIONS	BY:	DATE:	UNLESS OTHERWISE SPECIFIED: TOLERANCES: .XXX ± 0.010 .XX ± 0.010 .X ± 0.030 ANG. ± 1/2" REMOVE ALL BURRS AND SHARP EDGES .015 MAX	TITLE	USED ON:
	NOTICE - This drawing, including principles of design, is the property of Days Corporation, Elkhart, Indiana, with the agreement that it is not to be reproduced, copied, or loaned in any manner that may constitute a detriment directly or indirectly to Days Corporation. Acceptance of this will be construed as an agreement of the above.						4 FUNCTION PUMP SIZE SCALE MATERIAL A 1: 1
						DRW BY: SJ DATE: 5/30/17 APP'D BY: - DATE: -	PAGE: 2 OF 2 DWG NO.: P7960KS REV: -

# HYDRAULIC HOSE CONNECTIONS 7960KS PUMP

B = RETRACT FUNCTION

B1 = LEFT FRONT JACK  
(BROWN/BLACK)

B3 = LEFT REAR JACK  
(ORANGE/BLACK)



T = EXTEND FUNCTION

T1 = LEFT FRONT JACK (BROWN)

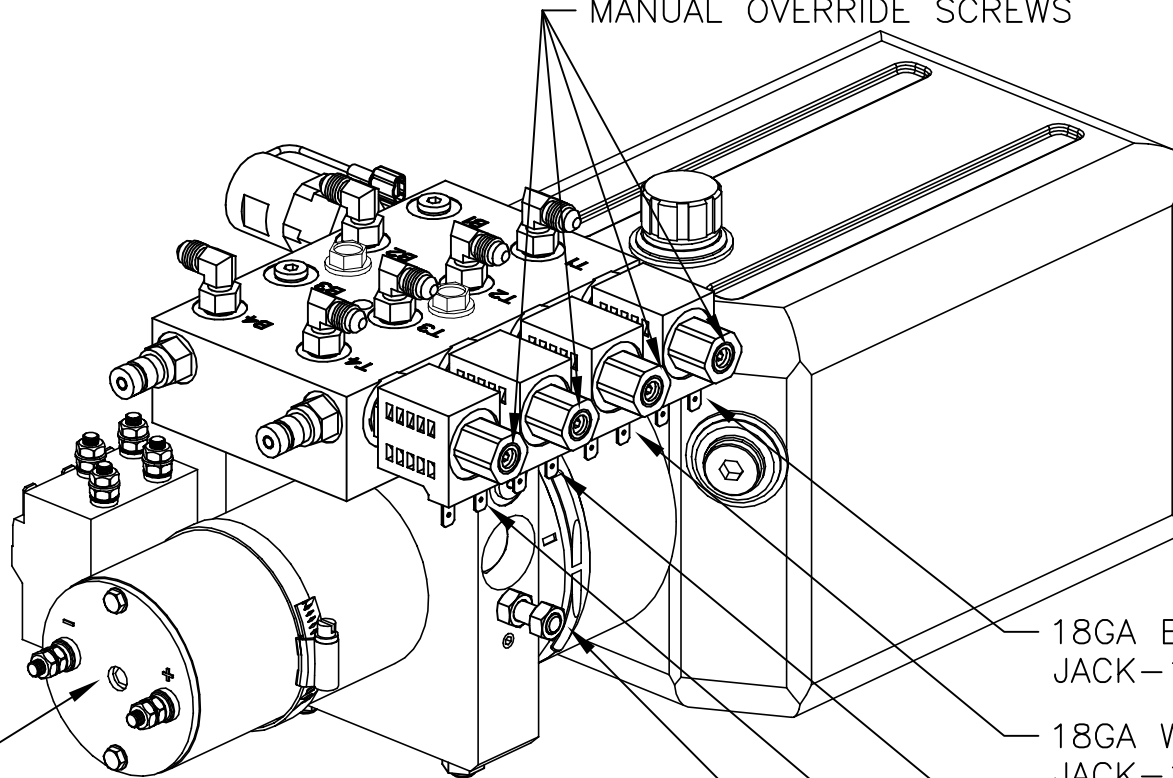
T2 = RIGHT FRONT JACK (WHITE)

T3 = LEFT REAR JACK (ORANGE)

T4 = RIGHT REAR JACK (YELLOW)

# 7960KS PUMP WIRING

MANUAL OVERRIDE SCREWS



1/4" ALLEN SOCKET MANUAL  
OVERRIDE LOCATED UNDER  
STICKER

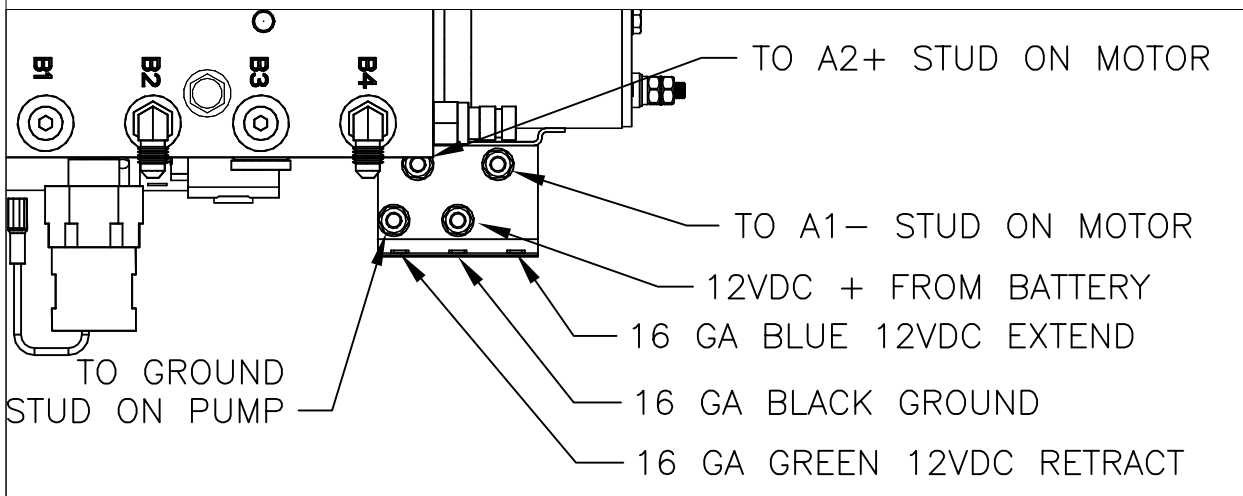
18GA BROWN 12VDC LEFT FRONT  
JACK-16GA BLACK GROUND

18GA WHITE 12VDC RIGHT FRONT  
JACK-16GA BLACK GROUND

18GA ORANGE 12VDC LEFT REAR  
JACK-16GA BLACK GROUND

18GA YELLOW 12VDC RIGHT REAR  
JACK-16GA BLACK GROUND

GROUND STUD FOR PUMP ASSEMBLY



TO A2+ STUD ON MOTOR

TO A1- STUD ON MOTOR

12VDC + FROM BATTERY

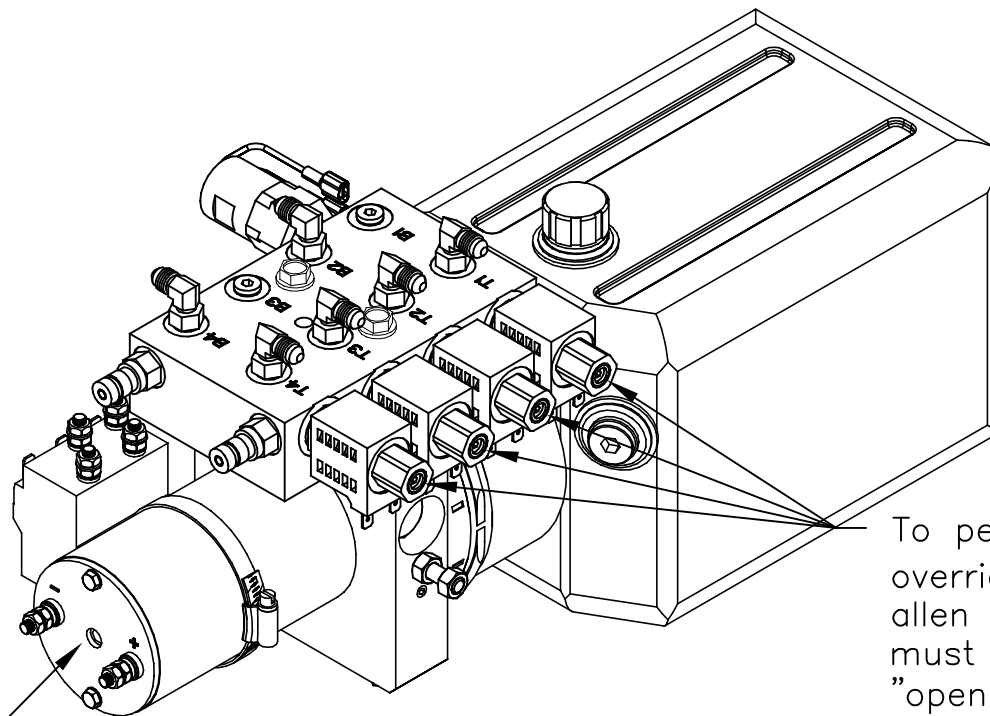
16 GA BLUE 12VDC EXTEND

16 GA BLACK GROUND

16 GA GREEN 12VDC RETRACT

TO GROUND  
STUD ON PUMP

## Small Bi-Rotational Pump Assembly




Manual override screw, 1/4" allen head, is under this sticker. Using a 2000 rpm minimum drill, retract jacks by turning counter clockwise. To extend, turn screw clockwise.

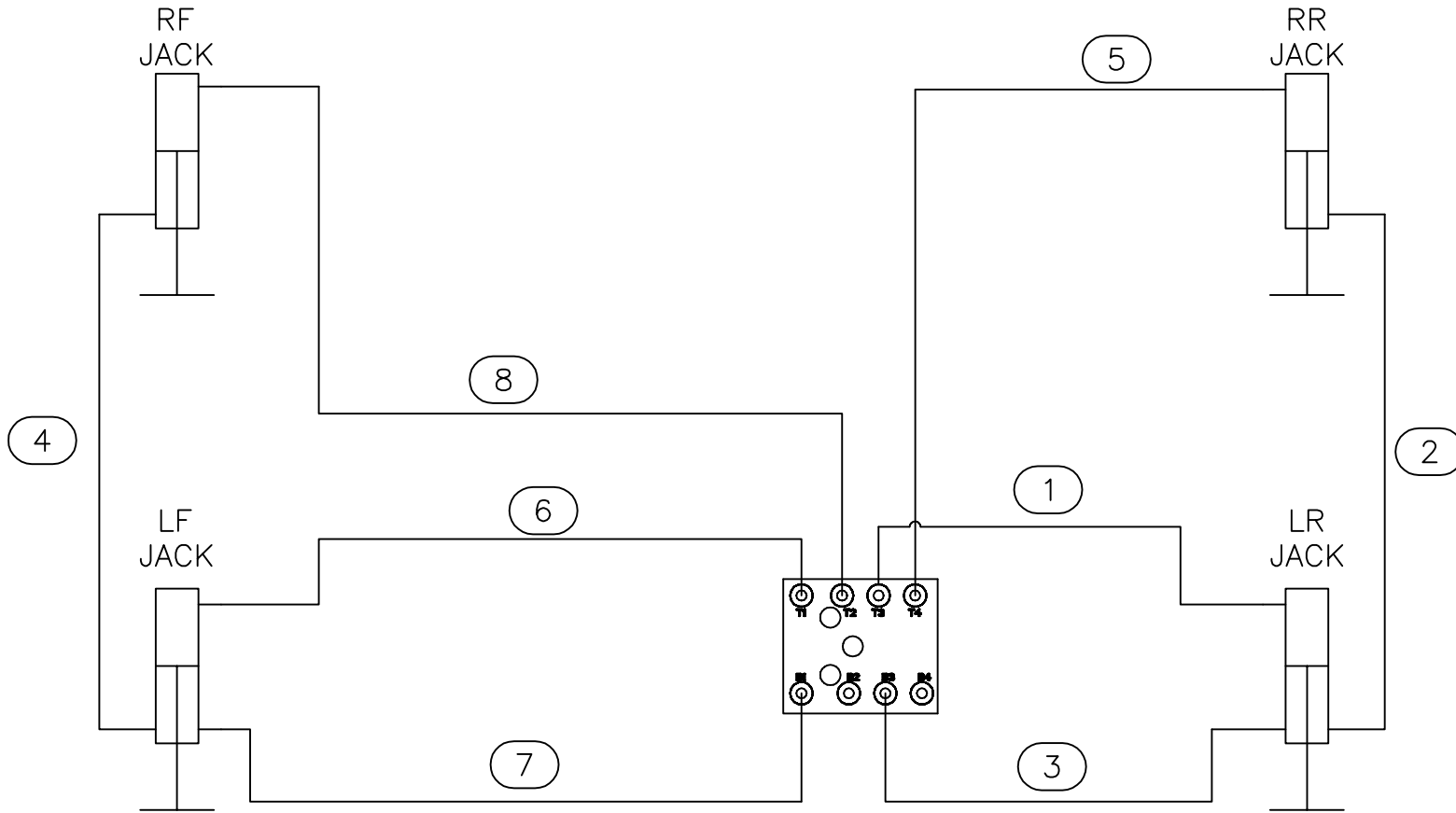
To perform the manual override procedure, using a 1/8" allen wrench, all set screws must be turned clockwise "open" until they are snug. Once all levelers are retracted, turn all valve screws counter clockwise "closed" until snug.

7950 PARTS LIST

ITEM	PART#	DESCRIPTION	QUAN	COLOR CODE	LOCATION
1	2465	HOSE-10'	1	ORANGE SOLID	PUMP PORT T3 TO TOP OF LR JACK
2	2463	HOSE-8'	1	ORANGE STRIPE/YELLOW STRIPE	BOTTOM OF LR JACK TO BOTTOM OF RR JACK
3	2465	HOSE-10'	1	ORANGE STRIPE	PUMP PORT B3 TO BOTTOM OF LR JACK
4	2465	HOSE-10'	1	BROWN STRIPE/WHITE STRIPE	BOTTOM OF LF JACK TO BOTTOM OF RF JACK
5	2467	HOSE-12'	1	YELLOW SOLID	PUMP PORT T4 TO TOP OF RR JACK
6	2469	HOSE-14'	1	BROWN SOLID	PUMP PORT T1 TO TOP OF LF JACK
7	2469	HOSE-14'	1	BROWN STRIPE	PUMP PORT B1 TO BOTTOM OF LF JACK
8	2471	HOSE-16'	1	WHITE SOLID	PUMP PORT T2 TO TOP OF RF JACK

**Warranty authorization must come directly from Equalizer Systems. (800) 846-9659.**

 55169 COUNTY ROAD 3 ELKHART, IN 46515	#	REVISIONS	BY:	DATE:	UNLESS OTHERWISE SPECIFIED: TOLERANCES: .XXX ± 0.010 .XX ± 0.010 .X ± 0.030 ANG. ± 1/2" REMOVE ALL BURRS AND SHARP EDGES .015 MAX	TITLE	USED ON:
	A	CHANGED HOSE #1 FROM 8' TO 10'	SJ	6/8/16		JAYCO HOSE CHART	REDHAWK & GREYHAWK
NOTICE - This drawing, including principles of design, is the property of Days Corporation, Elkhart, Indiana, with the agreement that it is not to be reproduced, copied, or loaned in any manner that may constitute a detriment directly or indirectly to Days Corporation. Acceptance of this will be construed as an agreement of the above.						SIZE SCALE MATERIAL A 1:1 AS NOTED	
						DRW BY: DATE: PART NAME: SJ 12/9/14 HOSE KIT-JAYCO 8735A	
						APP'D BY: DATE: PAGE: DWG NO.: REV: - - 1 OF 2 P7950 A	



**Warranty authorization must come directly from Equalizer Systems. (800) 846-9659.**

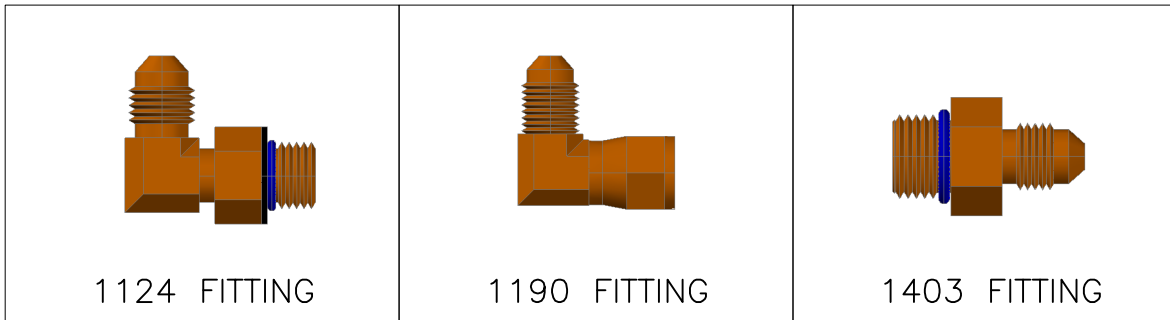
<i>Equalizer</i>	55169 COUNTY ROAD 3 ELKHART, IN 46515	#	REVISIONS	BY:	DATE:	UNLESS OTHERWISE SPECIFIED: TOLERANCES: .XXX ± 0.010 .XX ± 0.010 .X ± 0.030 ANG. ± 1/2" REMOVE ALL BURRS AND SHARP EDGES .015 MAX	TITLE	USED ON:
		A	CHANGED HOSE #1 FROM 8' TO 10'	SJ	6/8/16		JAYCO HOSE CHART	REDHAWK & GREYHAWK
NOTICE - This drawing, including principles of design, is the property of Days Corporation, Elkhart, Indiana, with the agreement that it is not to be reproduced, copied, or loaned in any manner that may constitute a detriment directly or indirectly to Days Corporation. Acceptance of this will be construed as an agreement of the above.							SIZE SCALE MATERIAL	NOTED
						A 1:1 AS		
						DRW BY: DATE:	PART NAME:	
						SJ 12/9/14	HOSE KIT-JAYCO 8735A	
						APP'D BY: DATE:	PAGE:	DWG NO.:
						- -	2 OF 2	P7950
								REV: A

7952 PARTS LIST

ITEM	PART#	DESCRIPTION	QUAN	COLOR CODE	LOCATION
1	2463	HOSE-8'	1	BROWN STRIPE/WHITE STRIPE	BOTTOM OF LF JACK TO BOTTOM OF RF JACK
2	2463	HOSE-8'	1	ORANGE STRIPE/YELLOW STRIPE	BOTTOM OF LR JACK TO BOTTOM OF RR JACK
3	2465	HOSE-10'	1	YELLOW SOLID	PUMP PORT T4 TO TOP OF RR JACK
4	2465	HOSE-10'	1	YELLOW STRIPE	PUMP PORT B4 TO BOTTOM OF RR JACK
5	2469	HOSE-14'	1	ORANGE SOLID	PUMP PORT T3 TO TOP OF LR JACK
6	2473	HOSE-18'	1	BROWN SOLID	PUMP PORT T1 TO TOP OF LF JACK
7	2475	HOSE-20'	1	WHITE SOLID	PUMP PORT T2 TO TOP OF RF JACK
8	2475	HOSE-20'	1	WHITE STRIPE	PUMP PORT B2 TO BOTTOM OF RF JACK

REQUIRED JACK FITTINGS

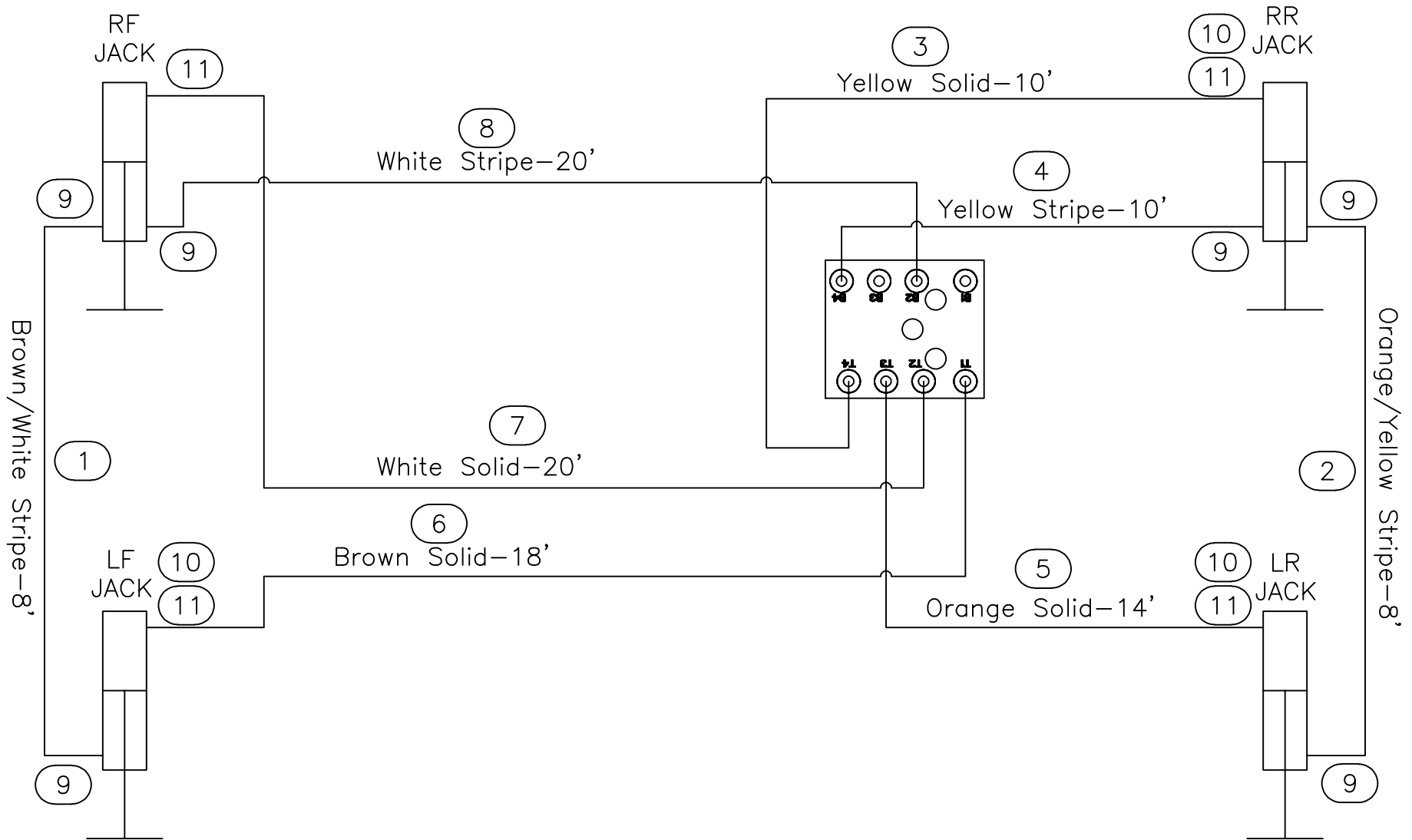
ITEM	PART#	DESCRIPTION	QUAN
9	1124	FITTING-#4 JIC X #4 OR MALE 90	6
10	1190	FITTING-#4 X #4 JIC SWIVEL 90	3
11	1403	FITTING-RESTRICTOR #6 X #4-042" ORIFICE	4



**Warranty authorization must come directly from Equalizer Systems. (800) 846-9659.**

<p><i>Equalizer</i> 55169 COUNTY ROAD 3 ELKHART, IN 46515</p>	#	REVISIONS	BY:	DATE:	<p>UNLESS OTHERWISE SPECIFIED: TOLERANCES: .XXX ± 0.010 .XX ± 0.010 .X ± 0.030 ANG. ± 1/2" REMOVE ALL BURRS AND SHARP EDGES .015 MAX</p>	TITLE		USED ON:	
	A	Added fittings and hose descriptions on sheet 2.	SJ	5/8/17		JAYCO HOSE CHART	SENECA		
<p>NOTICE - This drawing, including principles of design, is the property of Days Corporation, Elkhart, Indiana, with the agreement that it is not to be reproduced, copied, or loaned in any manner that may constitute a detriment directly or indirectly to Days Corporation. Acceptance of this will be construed as an agreement of the above.</p>	SIZE	SCALE	MATERIAL	NOTED					
	A	1:1	AS	DRW BY:	DATE:	PART NAME:			
	SJ	12/10/14	HOSE KIT-JAYCO 8736A						
	APP'D BY	DATE:	PAGE:	DWG NO.:	REV:				
	-	-	1 OF 2	P7952	A				





**Warranty authorization must come directly from Equalizer Systems. (800) 846-9659.**

**Equalizer** 55169 COUNTY ROAD 3  
ELKHART, IN 46515

NOTICE - This drawing, including principles of design, is the property of Days Corporation, Elkhart, Indiana, with the agreement that it is not to be reproduced, copied, or loaned in any manner that may constitute a detriment directly or indirectly to Days Corporation. Acceptance of this will be construed as an agreement of the above.

#	REVISIONS	BY:	DATE:
A	Added fittings and hose descriptions on sheet 2.	SJ	5/8/17

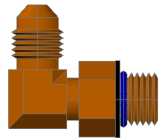
UNLESS OTHERWISE SPECIFIED: TOLERANCES: .XXX ± 0.010 .XX ± 0.010 .X ± 0.030 ANG. ± 1/2"		TITLE JAYCO HOSE CHART		USED ON: SENECA	
REMOVE ALL BURRS AND SHARP EDGES .015 MAX		DRW BY: SJ	DATE: 12/10/14	PART NAME: HOSE KIT-JAYCO 8736A	
		APP'D BY: -	DATE: -	PAGE: 2 OF 2	DWG NO.: P7952
				REV: A	

7952 PARTS LIST

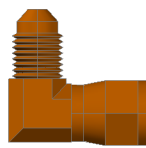
ITEM	PART#	DESCRIPTION	QUAN	COLOR CODE	LOCATION
1	2463	HOSE-8'	1	BROWN STRIPE/WHITE STRIPE	BOTTOM OF LF JACK TO BOTTOM OF RF JACK
2	2463	HOSE-8'	1	ORANGE STRIPE/YELLOW STRIPE	BOTTOM OF LR JACK TO BOTTOM OF RR JACK
3	2467	HOSE-12'	1	YELLOW SOLID	PUMP PORT T4 TO TOP OF RR JACK
4	2465	HOSE-10'	1	ORANGE STRIPE	PUMP PORT B3 TO BOTTOM OF LR JACK
5	2465	HOSE-10'	1	ORANGE SOLID	PUMP PORT T3 TO TOP OF LR JACK
6	2471	HOSE-16'	1	BROWN SOLID	PUMP PORT T1 TO TOP OF LF JACK
7	2473	HOSE-18'	1	WHITE SOLID	PUMP PORT T2 TO TOP OF RF JACK
8	2473	HOSE-18'	1	BROWN STRIPE	PUMP PORT B1 TO BOTTOM OF LF JACK

REQUIRED JACK FITTINGS

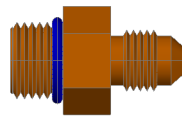
ITEM	PART#	DESCRIPTION	QUAN
9	1124	FITTING-#4 JIC X #4 OR MALE 90	6
10	1190	FITTING-#4 X #4 JIC SWIVEL 90	3
11	1403	FITTING-RESTRICTOR #6 X #4-042" ORIFICE	4



1124 FITTING



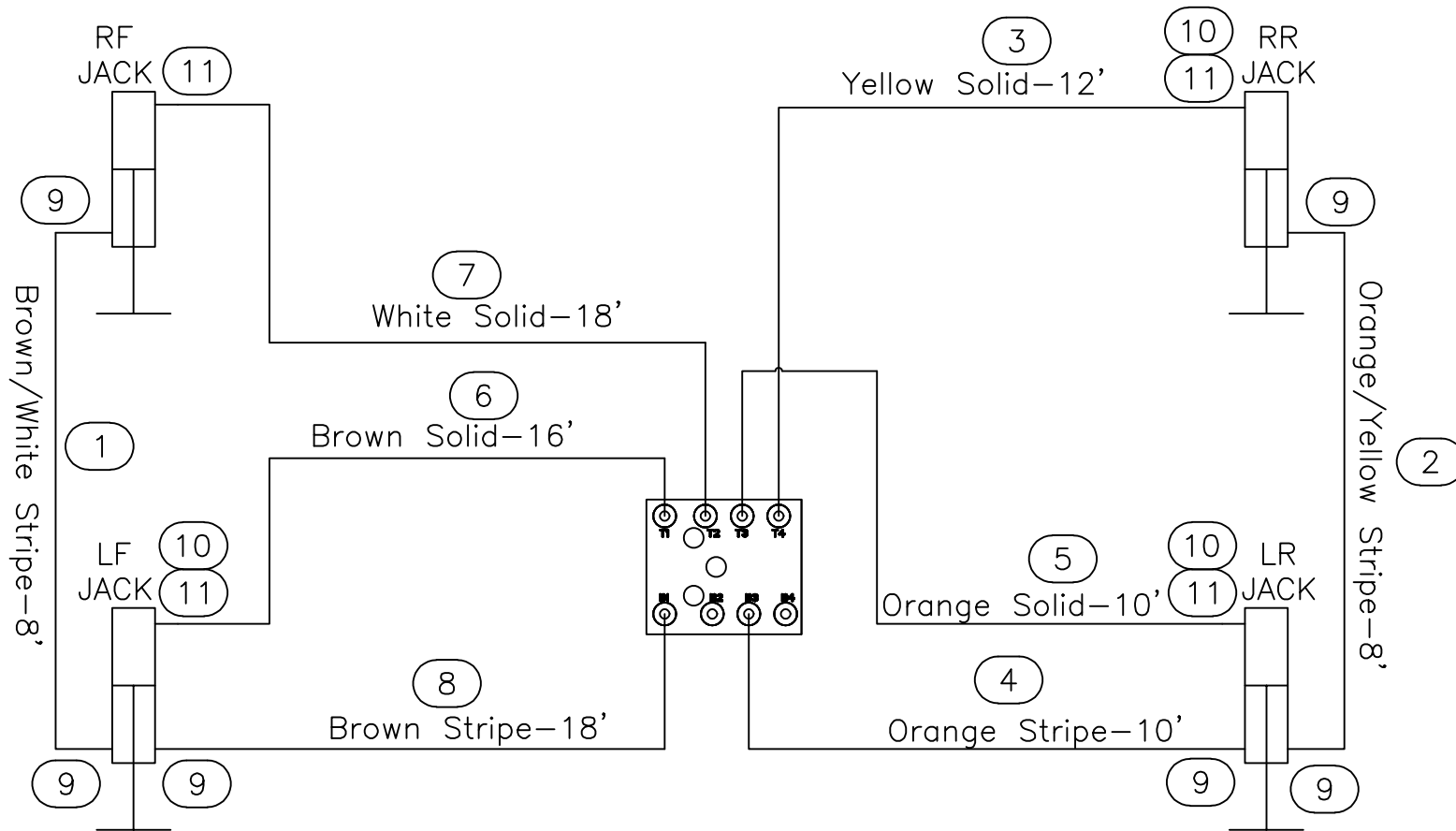
1190 FITTING



1403 FITTING

**Warranty authorization must come directly from Equalizer Systems. (800) 846-9659.**

<p><i>Equalizer</i> 55169 COUNTY ROAD 3 ELKHART, IN 46515</p> <p>NOTICE - This drawing, including principles of design, is the property of Days Corporation, Elkhart, Indiana, with the agreement that it is not to be reproduced, copied, or loaned in any manner that may constitute a detriment directly or indirectly to Days Corporation. Acceptance of this will be construed as an agreement of the above.</p>	#	REVISIONS	BY:	DATE:	<p>UNLESS OTHERWISE SPECIFIED: TOLERANCES: .XXX ± 0.010 .XX ± 0.010 .X ± 0.030 ANG. ± 1/2" REMOVE ALL BURRS AND SHARP EDGES .015 MAX</p>	TITLE	USED ON:
	A	Added fittings and hose descriptons on sheet 2.	SJ	5/8/17		JAYCO HOSE CHART	SENECA
	B	Changed hose arrangement & lengths.	SJ	5/26/17		SIZE SCALE MATERIAL	NOTED
	C	Brown stripe hose was 16'.	SJ	5/26/17		A 1:1 AS	
					DRW BY: DATE: PART NAME:		
					SJ 12/10/14	HOSE KIT-JAYCO 8736A	
					APP'D BY: DATE:	PAGE: DWG NO.: REV:	
					- -	1 OF 2 P7952 C	



**Warranty authorization must come directly from Equalizer Systems. (800) 846-9659.**

*Equalizer*

55169 COUNTY ROAD 3  
ELKHART, IN 46515

NOTICE - This drawing, including principles of design, is the property of Days Corporation, Elkhart, Indiana, with the agreement that it is not to be reproduced, copied, or loaned in any manner that may constitute a detriment directly or indirectly to Days Corporation. Acceptance of this will be construed as an agreement of the above.

#	REVISIONS	BY:	DATE:
A	Added fittings and hose descriptons on sheet 2.	SJ	5/8/17
B	Changed hose arrangement & lengths.	SJ	5/26/17
C	Brown stripe hose was 16'.	SJ	5/26/17

UNLESS OTHERWISE SPECIFIED:  
TOLERANCES:  
.XXX ± 0.010  
.XX ± 0.010  
.X ± 0.030  
ANG. ± 1/2"  
REMOVE ALL BURRS AND SHARP EDGES .015 MAX

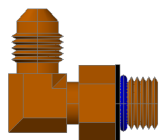
TITLE		USED ON:	
JAYCO HOSE CHART		SENECA	
SIZE	SCALE	MATERIAL	NOTED
A	1:1	AS	
DRW BY:	DATE:	PART NAME:	
SJ	12/10/14	HOSE KIT-JAYCO 8736A	
APP'D BY	DATE:	PAGE:	DWG NO.:
-	-	2 OF 2	P7952
			REV: C

70091 PARTS LIST

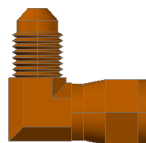
ITEM	PART#	DESCRIPTION	QUAN	COLOR CODE	LOCATION
1	2463	HOSE-8'	1	ORANGE STRIPE/YELLOW STRIPE	BOTTOM OF LR JACK TO BOTTOM OF RR JACK
2	2469	HOSE-14'	1	ORANGE SOLID	PUMP PORT T3 TO TOP OF LR JACK
3	2469	HOSE-14'	1	ORANGE STRIPE	PUMP PORT B3 TO BOTTOM OF LR JACK
4	2467	HOSE-12'	1	BROWN STRIPE/WHITE STRIPE	BOTTOM OF LF JACK TO BOTTOM OF RF JACK
5	2469	HOSE-14'	1	YELLOW SOLID	PUMP PORT T4 TO TOP OF RR JACK
6	2486	HOSE-36'	1	BROWN SOLID	PUMP PORT T1 TO TOP OF LF JACK
7	2486	HOSE-36'	1	BROWN STRIPE	PUMP PORT B1 TO BOTTOM OF LF JACK
8	2490	HOSE-40'	1	WHITE SOLID	PUMP PORT T2 TO TOP OF RF JACK

REQUIRED JACK FITTINGS

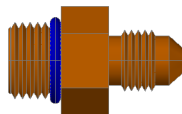
ITEM	PART#	DESCRIPTION	QUAN
9	1124	FITTING-#4 JIC X #4 OR MALE 90	6
10	1190	FITTING-#4 X #4 JIC SWIVEL 90	4
11	1403	FITTING-RESTRICTOR #6 X #4-042" ORIFICE	4



1124 FITTING



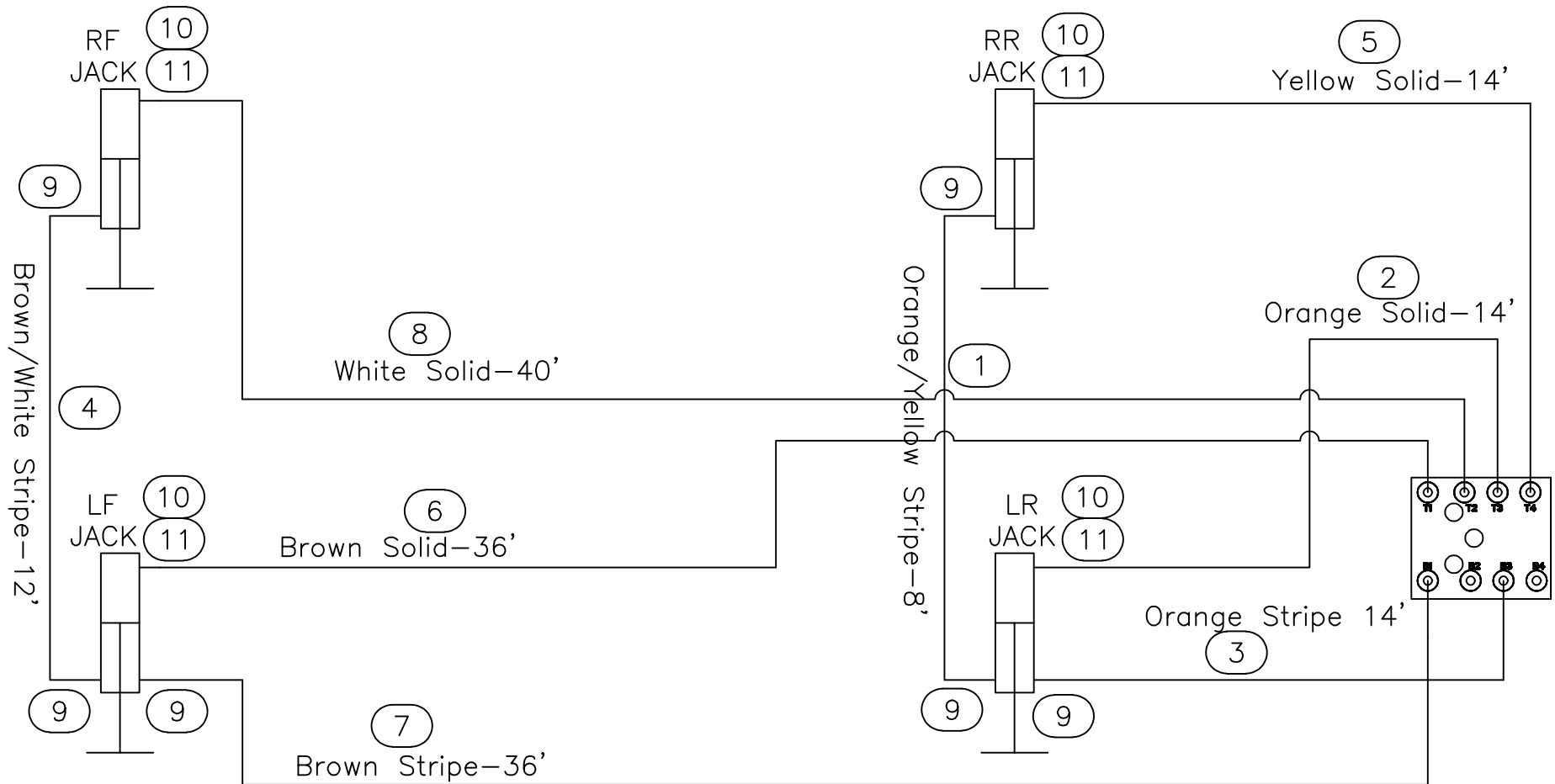
1190 FITTING



1403 FITTING

**Warranty authorization must come directly from Equalizer Systems. (800) 846-9659.**

<p>55169 COUNTY ROAD 3 ELKHART, IN 46515</p> <p>NOTICE - This drawing, including principles of design, is the property of Days Corporation, Elkhart, Indiana, with the agreement that it is not to be reproduced, copied, or loaned in any manner that may constitute a detriment directly or indirectly to Days Corporation. Acceptance of this will be construed as an agreement of the above.</p>	#	REVISIONS	BY:	DATE:	UNLESS OTHERWISE SPECIFIED: TOLERANCES: .XXX ± 0.010 .XX ± 0.010 .X ± 0.030 ANG. ± 1/2" REMOVE ALL BURRS AND SHARP EDGES .015 MAX	TITLE	USED ON:
	A	Changed hose 4 from 10' to 12'	SJ	1/23/18		JAYCO HOSE CHART	PRECEPT/EMBLEM
	B	ORA. & ORA. STRP were 8', WHITE was 32', BRN & BRN STRP were 30'	SJ	3/21/18		SIZE SCALE MATERIAL	NOTED
	C	Changed WHITE SOLID from 34' to 36'	SJ	8/26/19		A 1:1 AS	
	D	All hoses except the crossovers increased by 4'	SJ	10/28/20		DRW BY: DATE:	
					SJ 9/22/17	HOSE KIT-JAYCO PRECEPT/EMBLEM 242-252WB	
					APP'D BY: DATE:	PAGE: DWG NO.: REV:	
					- -	1 OF 2 P70091 D	



**Warranty authorization must come directly from Equalizer Systems. (800) 846-9659.**

*Equalizer*

55169 COUNTY ROAD 3  
ELKHART, IN 46515

NOTICE - This drawing, including principles of design, is the property of Days Corporation, Elkhart, Indiana, with the agreement that it is not to be reproduced, copied, or loaned in any manner that may constitute a detriment directly or indirectly to Days Corporation. Acceptance of this will be construed as an agreement of the above.

#	REVISIONS	BY:	DATE:
A	Changed hose 4 from 10' to 12'	SJ	1/23/18
B	ORA. & ORA. STRP were 8', WHITE was 32', BRN & BRN STRP were 30'	SJ	3/21/18
C	Changed WHITE SOLID from 34' to 36'	SJ	8/26/19
D	All hoses except the crossovers increased by 4'	SJ	10/28/20

UNLESS OTHERWISE SPECIFIED:  
TOLERANCES:  
.XXX ± 0.010  
.XX ± 0.010  
.X ± 0.030  
ANG. ± 1/2"  
REMOVE ALL BURRS AND SHARP EDGES .015 MAX

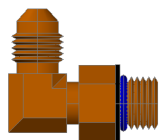
TITLE		USED ON:	
JAYCO HOSE CHART		PRECEPT/EMBLEM	
SIZE	SCALE	MATERIAL	
A	1:1	AS	NOTED
DRW BY:	DATE:	PART NAME:	
SJ	9/22/17	HOSE KIT-JAYCO PRECEPT/EMBLEM 242-252WB	
APP'D BY:	DATE:	PAGE:	DWG NO.:
-	-	2 OF 2	P70091
		REV:	D

70109 PARTS LIST

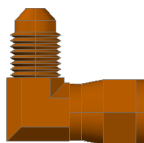
ITEM	PART#	DESCRIPTION	QUAN	COLOR CODE	LOCATION
1	2459	HOSE-4'	1	YELLOW SOLID	PUMP PORT T4 TO TOP OF RR JACK
2	2459	HOSE-4'	1	YELLOW STRIPE	PUMP PORT B4 TO BOTTOM OF RR JACK
3	2463	HOSE-8'	1	ORANGE SOLID	PUMP PORT T3 TO TOP OF LR JACK
4	2463	HOSE-8'	1	ORANGE STRIPE/YELLOW STRIPE	BOTTOM OF LR JACK TO BOTTOM OF RR JACK
5	2467	HOSE-12'	1	BROWN STRIPE/WHITE STRIPE	BOTTOM OF LF JACK TO BOTTOM OF RF JACK
6	2473	HOSE-18'	1	WHITE SOLID	PUMP PORT T2 TO TOP OF RF JACK
7	2473	HOSE-18'	1	WHITE STRIPE	PUMP PORT B2 TO BOTTOM OF RF JACK
8	2476	HOSE-22'	1	BROWN SOLID	PUMP PORT T1 TO TOP OF LF JACK

REQUIRED JACK FITTINGS

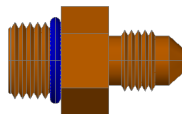
ITEM	PART#	DESCRIPTION	QUAN
9	1124	FITTING-#4 JIC X #4 OR MALE 90	6
10	1190	FITTING-#4 X #4 JIC SWIVEL 90	4
11	1403	FITTING-RESTRICTOR #6 X #4-042" ORIFICE	4



1124 FITTING



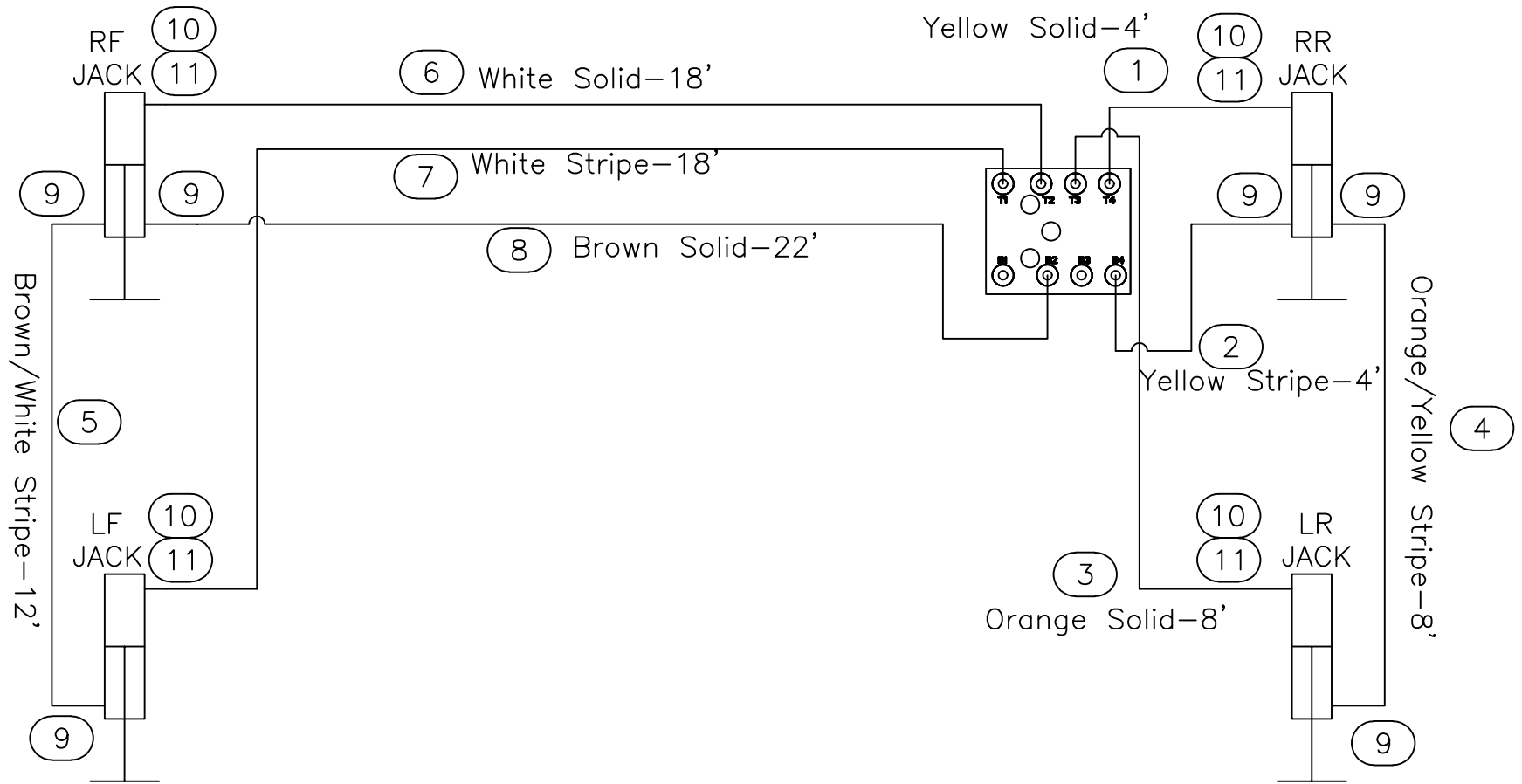
1190 FITTING



1403 FITTING

**Warranty authorization must come directly from Equalizer Systems. (800) 846-9659.**

	55169 COUNTY ROAD 3 ELKHART, IN 46515	#	REVISIONS	BY:	DATE:	UNLESS OTHERWISE SPECIFIED: TOLERANCES: .XXX ± 0.010 .XX ± 0.010 .X ± 0.030 ANG. ± 1/2" REMOVE ALL BURRS AND SHARP EDGES .015 MAX	TITLE	USED ON:		
		A	Brown Solid changes from 20' to 22'	SJ	10/4/19		JAYCO HOSE CHART	ALANTE		
NOTICE - This drawing, including principles of design, is the property of Days Corporation, Elkhart, Indiana, with the agreement that it is not to be reproduced, copied, or loaned in any manner that may constitute a detriment directly or indirectly to Days Corporation. Acceptance of this will be construed as an agreement of the above.						SIZE	SCALE	MATERIAL	NOTED	
						A	1:1	AS		
						DRW BY:	DATE:	PART NAME:		
						SJ	1/23/18	HOSE KIT-JAYCO ALANTE 158-178WB		
						APP'D BY:	DATE:	PAGE:	DWG NO.:	REV:
						-	-	1 OF 2	P70109	A



**Warranty authorization must come directly from Equalizer Systems. (800) 846-9659.**

*Equalizer*

55169 COUNTY ROAD 3  
ELKHART, IN 46515

#	REVISIONS	BY:	DATE:
A	Brown Solid changes from 20' to 22'	SJ	10/4/19

UNLESS OTHERWISE SPECIFIED:  
TOLERANCES:  
.XXX ± 0.010  
.XX ± 0.010  
.X ± 0.030  
ANG. ± 1/2"  
REMOVE ALL BURRS AND SHARP EDGES .015 MAX

TITLE		USED ON:	
JAYCO HOSE CHART		ALANTE	
SIZE	SCALE	MATERIAL	NOTED
A	1:1	AS	
DRW BY:	DATE:	PART NAME:	
SJ	1/23/18	HOSE KIT-JAYCO ALANTE 158-178WB	
APP'D BY	DATE:	PAGE:	DWG NO.:
		2 OF 2	P70109
			REV: A

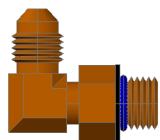
NOTICE - This drawing, including principles of design, is the property of Days Corporation, Elkhart, Indiana, with the agreement that it is not to be reproduced, copied, or loaned in any manner that may constitute a detriment directly or indirectly to Days Corporation. Acceptance of this will be construed as an agreement of the above.

70110 PARTS LIST

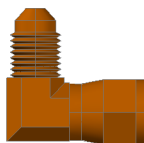
ITEM	PART#	DESCRIPTION	QUAN	COLOR CODE	LOCATION
1	2459	HOSE-4'	1	YELLOW SOLID	PUMP PORT T4 TO TOP OF RR JACK
2	2459	HOSE-4'	1	YELLOW STRIPE	PUMP PORT B4 TO BOTTOM OF RR JACK
3	2463	HOSE-8'	1	ORANGE SOLID	PUMP PORT T3 TO TOP OF LR JACK
4	2463	HOSE-8'	1	ORANGE STRIPE/YELLOW STRIPE	BOTTOM OF LR JACK TO BOTTOM OF RR JACK
5	2467	HOSE-12'	1	BROWN STRIPE/WHITE STRIPE	BOTTOM OF LF JACK TO BOTTOM OF RF JACK
6	2476	HOSE-22'	1	WHITE SOLID	PUMP PORT T2 TO TOP OF RF JACK
7	2476	HOSE-22'	1	WHITE STRIPE	PUMP PORT B2 TO BOTTOM OF RF JACK
8	2478	HOSE-24'	1	BROWN SOLID	PUMP PORT T1 TO TOP OF LF JACK

REQUIRED JACK FITTINGS

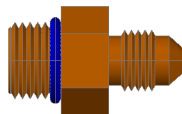
ITEM	PART#	DESCRIPTION	QUAN
9	1124	FITTING-#4 JIC X #4 OR MALE 90	6
10	1190	FITTING-#4 X #4 JIC SWIVEL 90	4
11	1403	FITTING-RESTRICTOR #6 X #4-042" ORIFICE	4



1124 FITTING



1190 FITTING

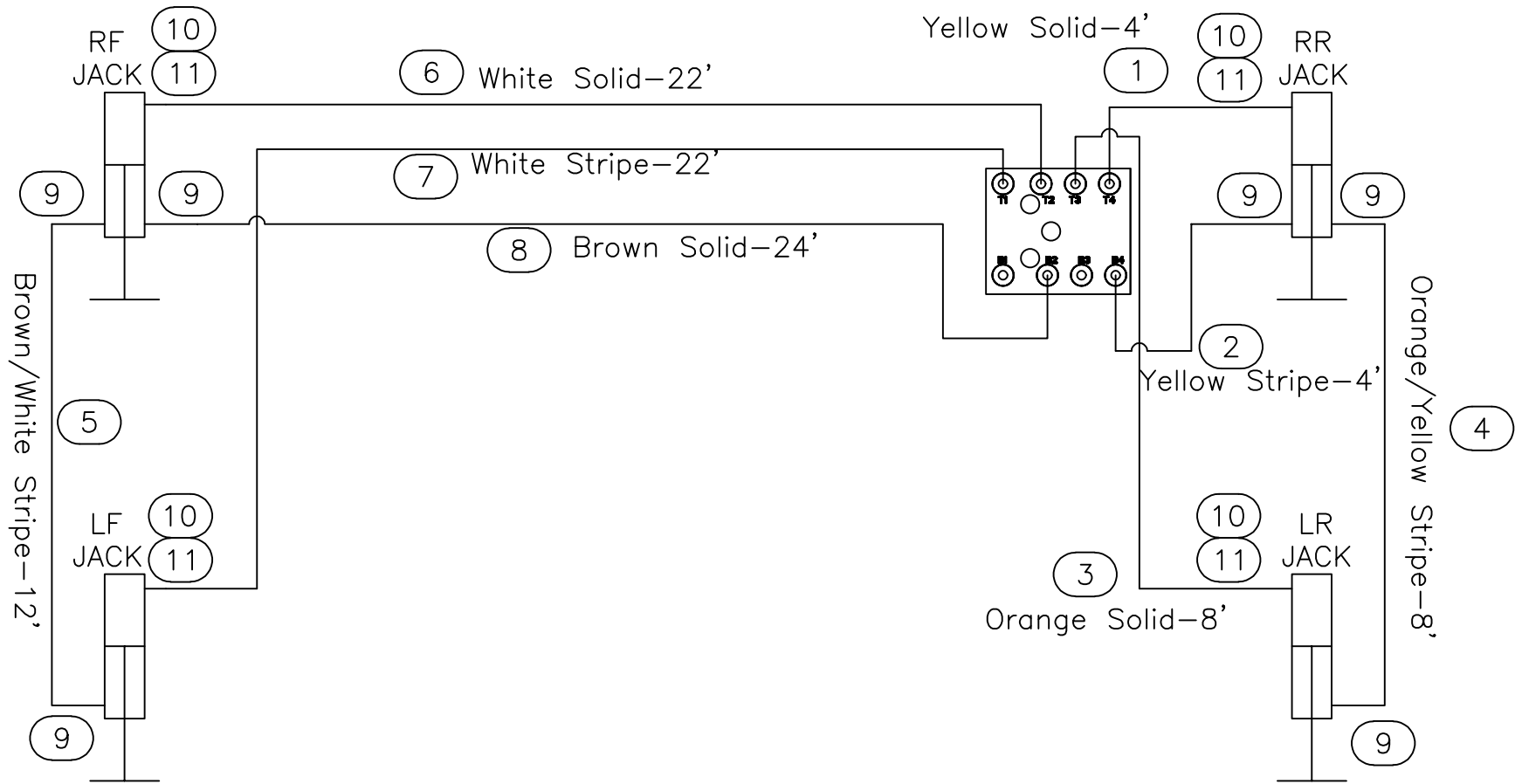


1403 FITTING

**Warranty authorization must come directly from Equalizer Systems. (800) 846-9659.**

	55169 COUNTY ROAD 3 ELKHART, IN 46515	#	REVISIONS	BY:	DATE:	UNLESS OTHERWISE SPECIFIED: TOLERANCES: .XXX ± 0.010 .XX ± 0.010 .X ± 0.030 ANG. ± 1/2"	TITLE	USED ON:
							JAYCO HOSE CHART	ALANTE
NOTICE - This drawing, including principles of design, is the property of Days Corporation, Elkhart, Indiana, with the agreement that it is not to be reproduced, copied, or loaned in any manner that may constitute a detriment directly or indirectly to Days Corporation. Acceptance of this will be construed as an agreement of the above.						REMOVE ALL BURRS AND SHARP EDGES .015 MAX	SIZE SCALE MATERIAL A 1:1 AS	PART NAME: HOSE KIT-JAYCO ALANTE 190-228WB
							DRW BY: DATE: SJ 1/24/18	PAGE: DWG NO.: 1 OF 2 P70110
							APP'D BY: DATE: - -	REV:





**Warranty authorization must come directly from Equalizer Systems. (800) 846-9659.**

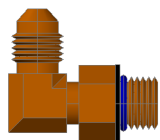
<b>Equalizer</b> 55169 COUNTY ROAD 3 ELKHART, IN 46515	#	REVISIONS	BY:	DATE:	UNLESS OTHERWISE SPECIFIED: TOLERANCES: .XXX ± 0.010 .XX ± 0.010 .X ± 0.030 ANG. ± 1/2" REMOVE ALL BURRS AND SHARP EDGES .015 MAX	TITLE	USED ON:
	NOTICE - This drawing, including principles of design, is the property of Days Corporation, Elkhart, Indiana, with the agreement that it is not to be reproduced, copied, or loaned in any manner that may constitute a detriment directly or indirectly to Days Corporation. Acceptance of this will be construed as an agreement of the above.						JAYCO HOSE CHART
						SIZE SCALE MATERIAL	NOTED
						DRW BY: DATE:	PART NAME:
						SJ 1/24/18	HOSE KIT-JAYCO ALANTE 190-228WB
						APP'D BY: DATE:	PAGE: DWG NO.: REV:
						- -	2 OF 2 P70110 -

70111 PARTS LIST

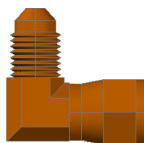
ITEM	PART#	DESCRIPTION	QUAN	COLOR CODE	LOCATION
1	2465	HOSE-10'	1	YELLOW SOLID	PUMP PORT T4 TO TOP OF RR JACK
2	2465	HOSE-10'	1	YELLOW STRIPE	PUMP PORT B4 TO BOTTOM OF RR JACK
3	2469	HOSE-14'	1	ORANGE SOLID	PUMP PORT T3 TO TOP OF LR JACK
4	2463	HOSE-8'	1	ORANGE STRIPE/YELLOW STRIPE	BOTTOM OF LR JACK TO BOTTOM OF RR JACK
5	2467	HOSE-12'	1	BROWN STRIPE/WHITE STRIPE	BOTTOM OF LF JACK TO BOTTOM OF RF JACK
6	2467	HOSE-12'	1	WHITE SOLID	PUMP PORT T2 TO TOP OF RF JACK
7	2469	HOSE-14'	1	WHITE STRIPE	PUMP PORT B2 TO BOTTOM OF RF JACK
8	2471	HOSE-16'	1	BROWN SOLID	PUMP PORT T1 TO TOP OF LF JACK

REQUIRED JACK FITTINGS

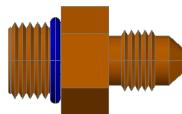
ITEM	PART#	DESCRIPTION	QUAN
9	1124	FITTING-#4 JIC X #4 OR MALE 90	6
10	1190	FITTING-#4 X #4 JIC SWIVEL 90	4
11	1403	FITTING-RESTRICTOR #6 X #4-042" ORIFICE	4



1124 FITTING



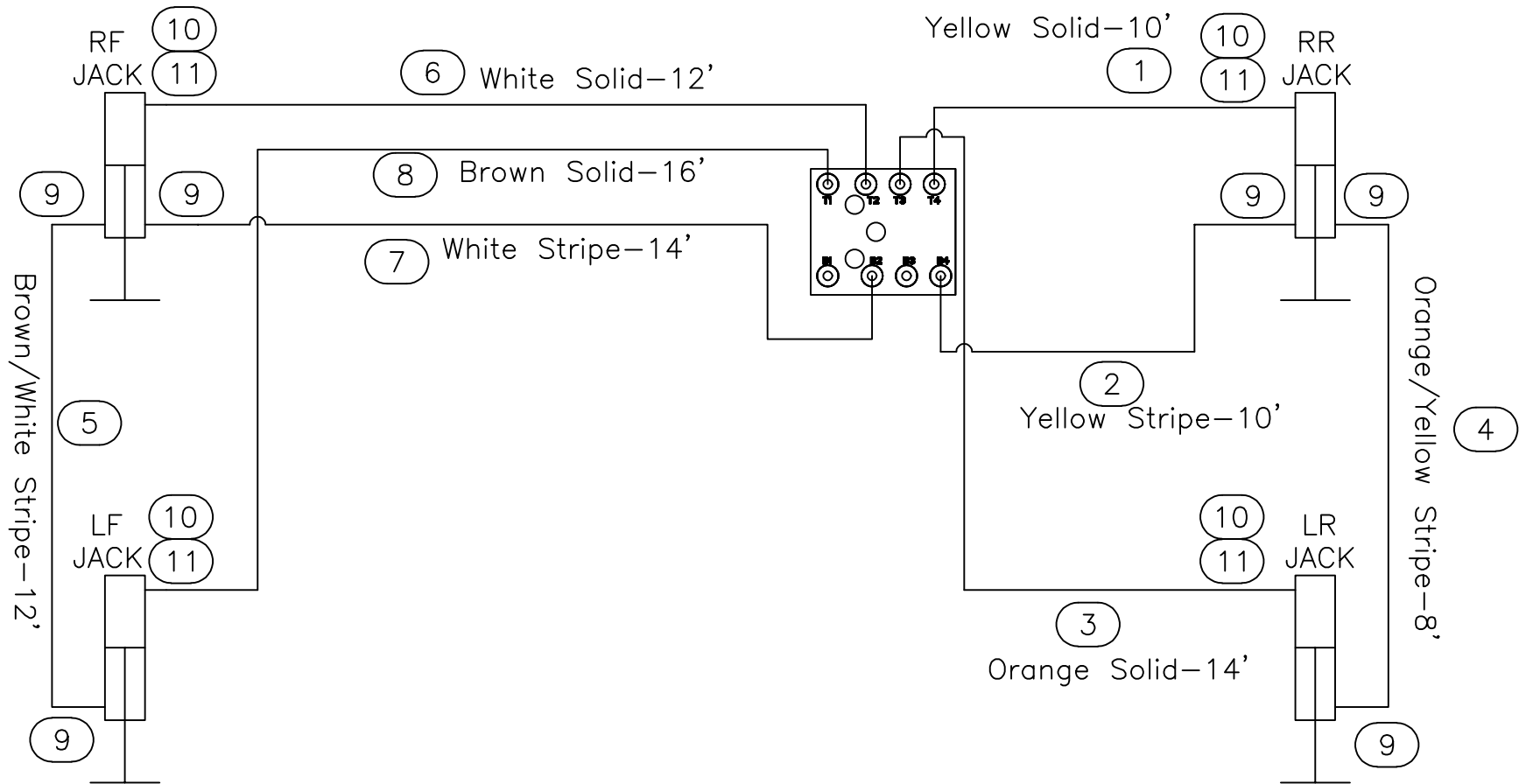
1190 FITTING



1403 FITTING

**Warranty authorization must come directly from Equalizer Systems. (800) 846-9659.**

	55169 COUNTY ROAD 3 ELKHART, IN 46515	#	REVISIONS	BY:	DATE:	UNLESS OTHERWISE SPECIFIED: TOLERANCES: .XXX ± 0.010 .XX ± 0.010 .X ± 0.030 ANG. ± 1/2" REMOVE ALL BURRS AND SHARP EDGES .015 MAX	TITLE	USED ON:
		A	WHITE STRIPE HOSE WAS 12'	SJ	3/21/18		JAYCO HOSE CHART	ALANTE
NOTICE - This drawing, including principles of design, is the property of Days Corporation, Elkhart, Indiana, with the agreement that it is not to be reproduced, copied, or loaned in any manner that may constitute a detriment directly or indirectly to Days Corporation. Acceptance of this will be construed as an agreement of the above.							SIZE SCALE MATERIAL A 1:1 AS NOTED	
							DRW BY: DATE: SJ 1/24/18	PART NAME: HOSE KIT-JAYCO ALANTE 190-FRONT PUMP
							APP'D BY: DATE: - -	PAGE: DWG NO.: REV: 1 OF 2 P70111 A



**Warranty authorization must come directly from Equalizer Systems. (800) 846-9659.**

*Equalizer*

55169 COUNTY ROAD 3  
ELKHART, IN 46515

#	REVISIONS	BY:	DATE:
A	WHITE STRIPE HOSE WAS 12'	SJ	3/21/18

UNLESS OTHERWISE SPECIFIED:  
TOLERANCES:  
.XXX ± 0.010  
.XX ± 0.010  
.X ± 0.030  
ANG. ± 1/2"  
REMOVE ALL BURRS AND SHARP EDGES .015 MAX

TITLE		USED ON:	
JAYCO HOSE CHART		ALANTE	
SIZE	SCALE	MATERIAL	NOTED
A	1:1	AS	
DRW BY:	DATE:	PART NAME:	
SJ	1/24/18	HOSE KIT-JAYCO ALANTE 190-FRONT PUMP	
APP'D BY	DATE:	PAGE:	DWG NO.:
		2 OF 2	P70111
			REV:
			A

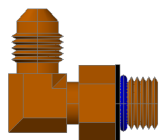
NOTICE - This drawing, including principles of design, is the property of Days Corporation, Elkhart, Indiana, with the agreement that it is not to be reproduced, copied, or loaned in any manner that may constitute a detriment directly or indirectly to Days Corporation. Acceptance of this will be construed as an agreement of the above.

70112 PARTS LIST

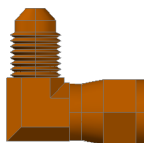
ITEM	PART#	DESCRIPTION	QUAN	COLOR CODE	LOCATION
1	2463	HOSE-8'	1	ORANGE STRIPE/YELLOW STRIPE	BOTTOM OF LR JACK TO BOTTOM OF RR JACK
2	2469	HOSE-14'	1	ORANGE SOLID	PUMP PORT T3 TO TOP OF LR JACK
3	2469	HOSE-14'	1	ORANGE STRIPE	PUMP PORT B3 TO BOTTOM OF LR JACK
4	2467	HOSE-12'	1	BROWN STRIPE/WHITE STRIPE	BOTTOM OF LF JACK TO BOTTOM OF RF JACK
5	2471	HOSE-16'	1	YELLOW SOLID	PUMP PORT T4 TO TOP OF RR JACK
6	2484	HOSE-34'	1	BROWN SOLID	PUMP PORT T1 TO TOP OF LF JACK
7	2484	HOSE-34'	1	BROWN STRIPE	PUMP PORT B1 TO BOTTOM OF LF JACK
8	2488	HOSE-38'	1	WHITE SOLID	PUMP PORT T2 TO TOP OF RF JACK

REQUIRED JACK FITTINGS

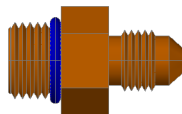
ITEM	PART#	DESCRIPTION	QUAN
9	1124	FITTING-#4 JIC X #4 OR MALE 90	6
10	1190	FITTING-#4 X #4 JIC SWIVEL 90	4
11	1403	FITTING-RESTRICTOR #6 X #4-042" ORIFICE	4



1124 FITTING



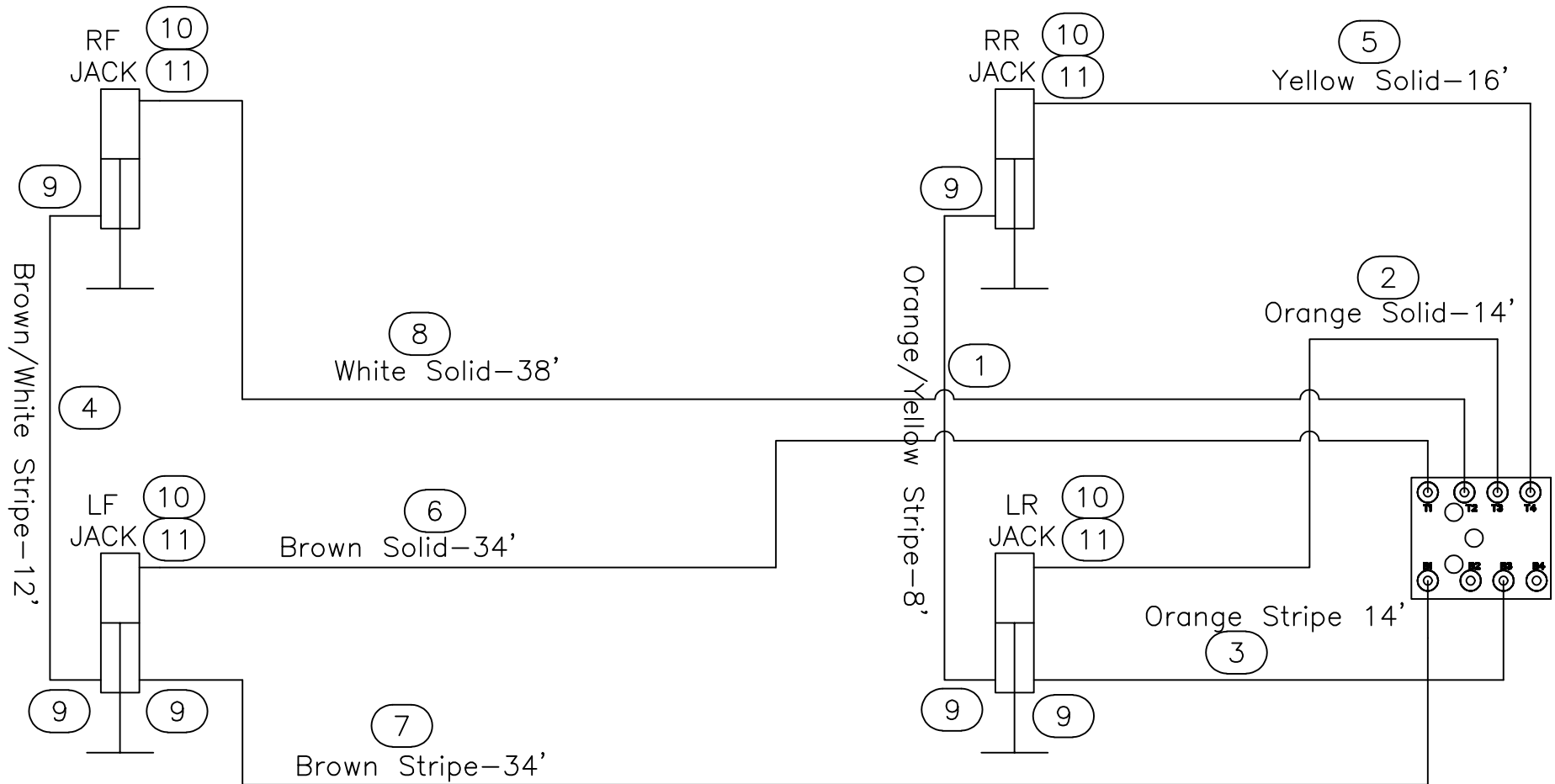
1190 FITTING



1403 FITTING

**Warranty authorization must come directly from Equalizer Systems. (800) 846-9659.**

<p>55169 COUNTY ROAD 3 ELKHART, IN 46515</p> <p>NOTICE - This drawing, including principles of design, is the property of Days Corporation, Elkhart, Indiana, with the agreement that it is not to be reproduced, copied, or loaned in any manner that may constitute a detriment directly or indirectly to Days Corporation. Acceptance of this will be construed as an agreement of the above.</p>	#	REVISIONS	BY:	DATE:	UNLESS OTHERWISE SPECIFIED: TOLERANCES: .XXX ± 0.010 .XX ± 0.010 .X ± 0.030 ANG. ± 1/2" REMOVE ALL BURRS AND SHARP EDGES .015 MAX	TITLE	USED ON:
	A	ORA. & ORA. STRP were 8', YEL was 10', BRN. & BRN. STRP were 26', WHITE was 28'	SJ	3/21/18		JAYCO HOSE CHART	PRECEPT/EMBLEM
	B	BROWN STRIPE changed from 28' to 30'	SJ	5/2/18		SIZE SCALE MATERIAL	NOTED
	C	BROWN SOLID changed from 28' to 30'	SJ	7/9/18		A 1:1 AS	
	D	WHITE SOLID changed from 30' to 34'	SJ	9/4/19		DRW BY: DATE:	
E	All hoses except the crossovers increased by 4'	SJ	10/28/20	SJ 1/23/18	HOSE KIT-JAYCO PRECEPT/EMBLEM 190-228WB		
			APP'D BY:	DATE:	PAGE:	DWG NO.:	REV:
			-	-	1 OF 2	P70112	E



**Warranty authorization must come directly from Equalizer Systems. (800) 846-9659.**

*Equalizer*

55169 COUNTY ROAD 3  
ELKHART, IN 46515

NOTICE - This drawing, including principles of design, is the property of Days Corporation, Elkhart, Indiana, with the agreement that it is not to be reproduced, copied, or loaned in any manner that may constitute a detriment directly or indirectly to Days Corporation. Acceptance of this will be construed as an agreement of the above.

#	REVISIONS	BY:	DATE:
A	ORA. & ORA. STRP were 8', YEL was 10', BRN. & BRN. STRP were 26', WHITE was 28'	SJ	3/21/18
B	BROWN STRIPE changed from 28' to 30'	SJ	5/2/18
C	BROWN SOLID changed from 28' to 30'	SJ	7/9/18
D	WHITE SOLID changed from 30' to 34'	SJ	9/4/19
E	All hoses except the crossovers increased by 4'	SJ	10/28/20

UNLESS OTHERWISE SPECIFIED:  
TOLERANCES:  
.XXX ± 0.010  
.XX ± 0.010  
.X ± 0.030  
ANG. ± 1/2"  
REMOVE ALL BURRS AND SHARP EDGES .015 MAX

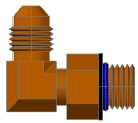
TITLE		USED ON:	
JAYCO HOSE CHART		PRECEPT/EMBLEM	
SIZE	SCALE	MATERIAL	NOTED
A	1:1	AS	
DRW BY:	DATE:	PART NAME:	
SJ	1/23/18	HOSE KIT-JAYCO PRECEPT/EMBLEM 190-228WB	
APP'D BY	DATE:	PAGE:	DWG NO.:
-	-	2 OF 2	P70112
		REV:	E

70239 PARTS LIST

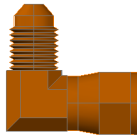
ITEM	PART#	DESCRIPTION	QUAN	COLOR CODE	LOCATION
1	2463	HOSE-8'	1	BROWN SOLID	PUMP PORT T1 TO TOP OF LF JACK
2	2463	HOSE-8'	1	BROWN STRIPE	PUMP PORT B1 TO BOTTOM OF LF JACK
3	2463	HOSE-8'	1	ORANGE STRIPE/YELLOW STRIPE	BOTTOM OF LR JACK TO BOTTOM OF RR JACK
4	2467	HOSE-12'	1	BROWN STRIPE/WHITE STRIPE	BOTTOM OF LF JACK TO BOTTOM OF RF JACK
5	2469	HOSE-14'	1	WHITE SOLID	PUMP PORT T2 TO TOP OF RF JACK
6	2471	HOSE-16'	1	ORANGE SOLID	PUMP PORT T3 TO TOP OF LR JACK
7	2473	HOSE-18'	1	ORANGE STRIPE	PUMP PORT B3 TO BOTTOM OF LR JACK
8	2475	HOSE-20'	1	YELLOW SOLID	PUMP PORT T4 TO TOP OF RR JACK

REQUIRED JACK FITTINGS

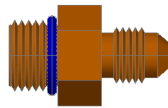
ITEM	PART#	DESCRIPTION	QUAN
9	1124	FITTING-#4 JIC X #4 OR MALE 90	6
10	1190	FITTING-#4 X #4 JIC SWIVEL 90	4
11	1403	FITTING-RESTRICTOR #6 X #4-042" ORIFICE	4



1124 FITTING



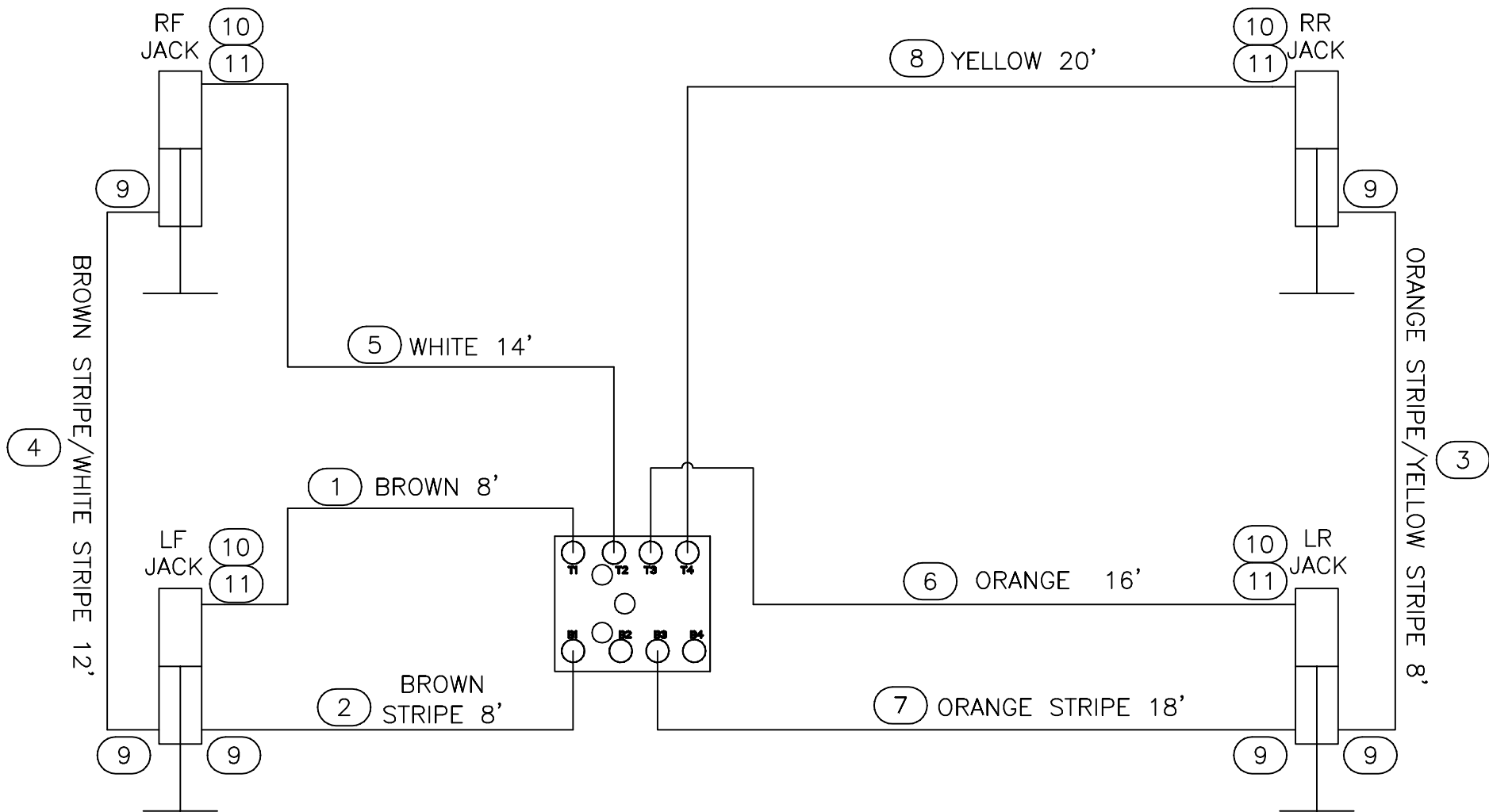
1190 FITTING



1403 FITTING

**Warranty authorization must come directly from Equalizer Systems. (800) 846-9659.**

55169 COUNTY ROAD 3 ELKHART, IN 46515	#	REVISIONS	BY:	DATE:	UNLESS OTHERWISE SPECIFIED: TOLERANCES: .XXX ± 0.010 .XX ± 0.010 .X ± 0.030 ANG. ± 1/2" REMOVE ALL BURRS AND SHARP EDGES .015 MAX	TITLE	USED ON:		
						JAYCO HOSE CHART	ALANTE 190 WB DS FRONT PUMP		
NOTICE - This drawing, including principles of design, is the property of Days Corporation, Elkhart, Indiana, with the agreement that it is not to be reproduced, copied, or loaned in any manner that may constitute a detriment directly or indirectly to Days Corporation. Acceptance of this will be construed as an agreement of the above.					SIZE	SCALE	MATERIAL	NOTED	
					A	1:1	AS		
						DRW BY:	DATE:	PART NAME:	
					SJ	6/21/19	HOSE KIT-JAYCO ALANTE 190-FRONT DS PUMP		
					APP'D BY	DATE:	PAGE:	DWG NO.:	REV:
					-	-	1 OF 2	P70239	-



**Warranty authorization must come directly from Equalizer Systems. (800) 846-9659.**

*Equalizer* 55169 COUNTY ROAD 3  
ELKHART, IN 46515

NOTICE - This drawing, including principles of design, is the property of Days Corporation, Elkhart, Indiana, with the agreement that it is not to be reproduced, copied, or loaned in any manner that may constitute a detriment directly or indirectly to Days Corporation. Acceptance of this will be construed as an agreement of the above.

#	REVISIONS	BY:	DATE:

UNLESS OTHERWISE SPECIFIED: TOLERANCES: .XXX ± 0.010 .XX ± 0.010 .X ± 0.030 ANG. ± 1/2"		TITLE JAYCO HOSE CHART		USED ON: ALANTE 190 WB DS FRONT PUMP	
REMOVE ALL BURRS AND SHARP EDGES .015 MAX		DRW BY: SJ	DATE: 6/21/19	PART NAME: HOSE KIT-JAYCO ALANTE 190-FRONT DS PUMP	
		APP'D BY: -	DATE: -	PAGE: 2 OF 2	DWG NO.: P70239
				REV: -	

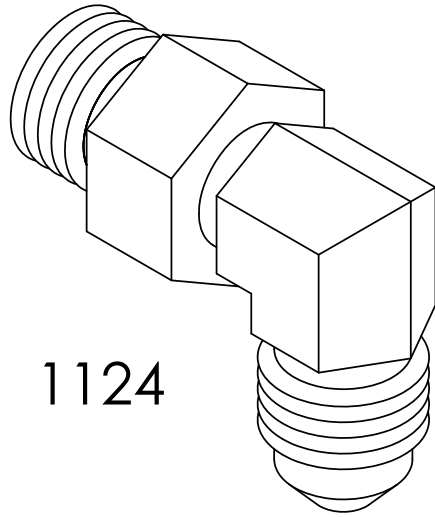
2

1

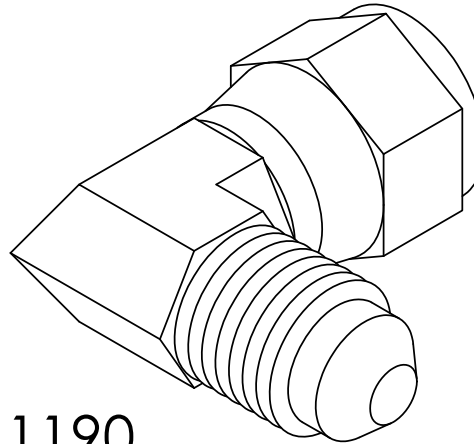
ITEM	PART #	DESCRIPTION	QUANTITY	COLOR CODE	LOCATION
1	2476	HOSE, 22'	1	YELLOW SOLID	PUMP PORT T4 TO TOP OF PS REAR JACK
2	2476	HOSE, 22'	1	YELLOW STRIPE	PUMP PORT B4 TO BOTTOM OF PS REAR JACK
3	3018	HOSE, 26'	1	ORANGE SOLID	PUMP PORT T3 TO TOP OF DS REAR JACK
4	2463	HOSE, 8'	1	ORANGE STRIPE/YELLOW STRIPE	BOTTOM OF PS REAR JACK TO BOTTOM OF DS REAR JACK
5	2465	HOSE 10'	1	WHITE SOLID	PUMP PORT T2 TO TOP OF PS FRONT JACK
6	2465	HOSE 10'	1	WHITE STRIPE	PUMP PORT B2 TO BOTTOM OF PS FRONT JACK
7	2469	HOSE, 14'	1	BROWN SOLID	PUMP PORT T1 TO TOP OF DS FRONT JACK
8	2467	HOSE, 12'	1	BROWN STRIPE/WHITE STRIPE	BOTTOM OF PS FRONT JACK TO BOTTOM OF DS FRONT JACK

B

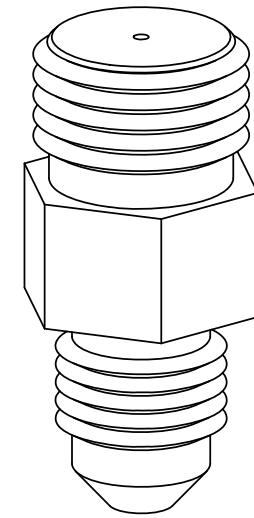
B



1124



1190



1403

9	1124	FITTING - #4 JIC X #4 OR MALE 90	6		2 ON BOTTOM OF EACH PS FRONT AND REAR AND 1 ON BOTTOM OF EACH DS FRONT AND REAR
10	1190	FITTING-#4 X #4 JIC SWIVEL 90	4		TOP OF EVERY JACK
11	1403	FITTING-RESTRICTOR #6 X #4-042 ORIFICE	4		TOP OF EVERY JACK

A

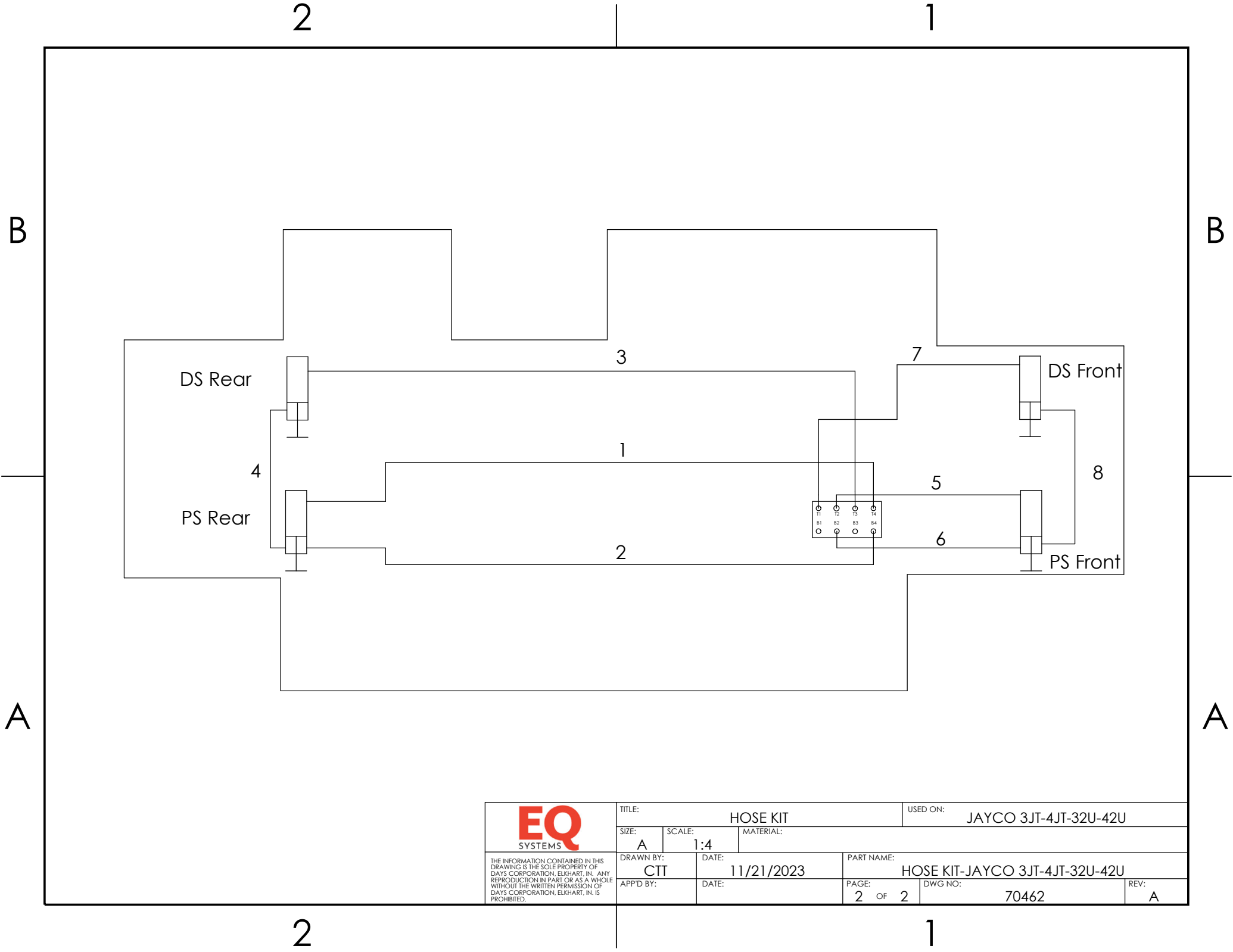
A


REV.	DESCRIPTION	DATE	BY		TITLE: HOSE KIT	USED ON: JAYCO 3JT-4JT-32U-42U
					SIZE: A SCALE: 2:1 MATERIAL:	
				<small>THE INFORMATION CONTAINED IN THIS DRAWING IS THE SOLE PROPERTY OF DAYS CORPORATION, ELKHART, IN. ANY REPRODUCTION IN PART OR AS A WHOLE WITHOUT THE WRITTEN PERMISSION OF DAYS CORPORATION, ELKHART, IN. IS PROHIBITED.</small>	DRAWN BY: CTT DATE: 11/21/2023	PART NAME: HOSE KIT- JAYCO 3JT-4JT-32U-42U
					APP'D BY: DATE:	PAGE: 1 OF 2 DWG NO: 70462 REV: A

2

1





 <p>THE INFORMATION CONTAINED IN THIS DRAWING IS THE SOLE PROPERTY OF DAYS CORPORATION, ELKHART, IN. ANY REPRODUCTION IN PART OR AS A WHOLE WITHOUT THE WRITTEN PERMISSION OF DAYS CORPORATION, ELKHART, IN. IS PROHIBITED.</p>	TITLE: HOSE KIT		USED ON: JAYCO 3JT-4JT-32U-42U		
	SIZE: A	SCALE: 1:4	MATERIAL:		
	DRAWN BY: CTT	DATE: 11/21/2023	PART NAME: HOSE KIT-JAYCO 3JT-4JT-32U-42U		
	APP'D BY:	DATE:	PAGE: 2 OF 2	DWG NO: 70462	REV: A

KEYPAD TO CONTROLLER HARNESS #6127U  
 PUMP TO CONTROLLER HARNESS #6799U

USED ON:  
 ALANTE, PRECEPT, PRECEPT XL, VISION,  
 & EMBLEM

CHASSIS INTERFACE CONNECTIONS

INPUT. IGNITION FROM COACH. 12V+ WHEN IGN ON.  
 INPUT. PARK BRAKE GND WHEN BRAKE ON

PIN	GAGE	COLOR
1	18	PINK
2	-	EMPTY
3	18	BLACK/YELLOW
4	-	EMPTY

KEY PAD #3103

INPUT. 12V  
 INPUT. GROUND  
 OUTPUT. DATA  
 OUTPUT. DATA

PIN	GAGE	COLOR
1	18	RED
2	18	BLACK
3	18	BROWN/WHITE
4	18	GRN/WHITE

AUTO LEVEL CONTROLLER #3197U

OUTPUT. POWER TO KEY PAD  
 OUTPUT. GND TO KEY PAD  
 INPUT. DATA  
 INPUT. DATA

PIN	GAGE	COLOR
1	18	RED
2	18	BLACK
3	18	BROWN/WHITE
4	18	GREEN/WHITE

INPUT. PARK BRAKE GND. SEE NOTES  
 INPUT. 12V+ WHEN IGN ON

PIN	GAGE	COLOR
1	18	
2	18	
3	18	
4	18	BLACK/YELLOW
5	18	PINK
6	18	

INPUT 12V+ FROM PUMP (MINIMUM 10.5V)  
 INPUT 12V+ FROM PUMP (MINIMUM 10.5V)  
 INPUT GND FROM PUMP

PIN	GAGE	COLOR
1	16	RED
2	16	RED
3	16	BLACK

OUTPUT 12V+ TO PUMP VALVE LF  
 OUTPUT 12V+ TO PUMP VALVE RF  
 OUTPUT 12V+ TO PUMP VALVE RR  
 OUTPUT 12V+ TO PUMP VALVE LR

PIN	GAGE	COLOR
1	18	BROWN
2	18	WHITE
3	18	YELLOW
4	18	ORANGE
5	18	YELLOW/BLACK
6		
7	18	GREEN
8	18	BLUE

OUTPUT 12V+ TO PUMP RETRACT  
 OUTPUT 12V+ TO PUMP EXTEND

BI-ROTATIONAL PUMP #7948KS/7960KS

HARNESS 6910

PIN	GAGE	COLOR
1	18	ORANGE
2	18	WHITE
3	18	BLUE
4	18	YELLOW
5	18	BROWN
6	18	GREEN
7		
8		
9	18	YELLOW/BLACK

PIN	GAGE	COLOR
1	18	ORANGE
2	18	WHITE
3	16	DARK BLUE
4	18	YELLOW
5	18	BROWN
6	16	DARK GREEN
7		
8		
9	18	YELLOW/BLACK

INPUT. 12V+ TO LEFT REAR VALVE COIL  
 INPUT. 12V+ TO RIGHT FRONT VALVE COIL  
 INPUT. 12V+ TO MOTOR EXTEND SOLENOID  
 INPUT. 12V+ TO RIGHT REAR VALVE COIL  
 INPUT. 12V+ TO LEFT FRONT VALVE COIL  
 INPUT. 12V+ TO MOTOR RETRACT SOLENOID

PRESSURE SW 12V+ OUTPUT

PIN	GAGE	COLOR
B	16	BLACK
A	12	RED

PIN	GAGE	COLOR
B	12	BLACK
A	12	RED

HARNESS 6572C

GROUND FROM CHASSIS  
 12V+ YELLOW (20A FUSE)

EQUALIZER SYSTEMS  
 MAIN 12V POWER  
 INPUT. FROM PUMP  
 MOTOR SOLENOID  
 AND CHASSIS  
 BATTERIES.

GROUND INPUT  
 FROM CHASSIS  
 CONNECTED TO STUD  
 ON SIDE OF PUMP

NOTES:

THE 12V POWER SOURCE MUST NOT DROP BELOW 10.5 VOLTS MEASURED AT THE YELLOW FUSE WIRE ON THE PUMP OR THE PUMP VALVE COIL BEING ENERGIZED WITH THE METER GROUND ON THE PUMP CASE GROUND.

THE PARK BRAKE INPUT TO THE LEVEL CONTROLLER ARE GROUND INPUTS. IT IS PULLED HIGH TO 12V INTERNALLY THROUGH A RESISTOR. IT IS LOOKING FOR AN ACTIVE LOW INPUT SIGNAL. WHEN THE PARK BRAKE IS ON, IT'S SENDING A GROUND TO THE PARK BRAKE INPUT OF THE LEVEL CONTROLLER.

*Equalizer*

55169 COUNTY ROAD 3  
 ELKHART, IN 46515

#	REVISIONS	BY:	DATE:

UNLESS OTHERWISE SPECIFIED:  
 TOLERANCES:  
 .XXX ± 0.010  
 .XX ± 0.010  
 .X ± 0.030  
 ANG. ± 1/2"  
 REMOVE ALL BURRS AND SHARP EDGES .015 MAX

TITLE			USED ON:		
AUTO LEVEL SCHEMATIC			JAYCO/ENTEGR		
SIZE	SCALE	MATERIAL			
A	1: 1				
DRW BY:	DATE:	PART NAME:			
SJ	3/2/15	AUTO LEVEL WIRING SCHEMATIC			
APP'D BY:	DATE:	PAGE:	DWG NO.:	REV:	
		1 OF 1	P8630B		

NOTICE - This drawing, including principles of design, is the property of Days Corporation, Elkhart, Indiana, with the agreement that it is not to be reproduced, copied, or loaned in any manner that may constitute a detriment directly or indirectly to Days Corporation. Acceptance of this will be construed as an agreement of the above.

PUMP TO CONTROL PANEL HARNESS #6147

USED ON:  
ALANTE, PRECEPT, PRECEPT XL, VISION,  
& EMBLEM

CHASSIS INTERFACE CONNECTIONS

INPUT. IGNITION FROM COACH. 12V+ WHEN IGN ON.

PIN	GAGE	COLOR
1	18	PINK
2	-	EMPTY
3	18	BLACK/YELLOW
4	-	EMPTY

INPUT. PARK BRAKE GND WHEN BRAKE ON

BI-ROTATIONAL PUMP #7948KS/7960KS

HARNESS 6910

PIN	GAGE	COLOR
1	18	ORANGE
2	18	WHITE
3	18	BLUE
4	18	YELLOW
5	18	BROWN
6	18	GREEN
7		
8		
9	18	YELLOW/BLACK

PIN	GAGE	COLOR
1	18	ORANGE
2	18	WHITE
3	16	DARK BLUE
4	18	YELLOW
5	18	BROWN
6	16	DARK GREEN
7		
8		
9	18	YELLOW/BLACK

INPUT. 12V+ TO LEFT REAR VALVE COIL  
INPUT. 12V+ TO RIGHT FRONT VALVE COIL  
INPUT. 12V+ TO MOTOR EXTEND SOLENOID  
INPUT. 12V+ TO RIGHT REAR VALVE COIL  
INPUT. 12V+ TO LEFT FRONT VALVE COIL  
INPUT. 12V+ TO MOTOR RETRACT SOLENOID

PRESSURE SW 12V+ OUTPUT

SMART LEVEL CONTROL PANEL #3197SBT

INPUT 12V+ FROM PUMP (MINIMUM 10.5V)  
INPUT 12V+ FROM PUMP (MINIMUM 10.5V)  
INPUT GND FROM PUMP

PIN	GAGE	COLOR
1	16	RED
2	16	RED
3	16	BLACK

INPUT. PARK BRAKE GND. SEE NOTES  
INPUT. 12V+ WHEN IGN ON

PIN	GAGE	COLOR
1		
2	18	BLACK/YELLOW
3	18	PINK
4	18	YELLOW/BLACK
5		
6	18	GREEN
7		
8	18	YELLOW
9	18	ORANGE
10	18	WHITE
11	18	BROWN
12	18	BLUE

OUTPUT 12V+ TO PUMP RETRACT

OUTPUT 12V+ TO PUMP VALVE RR  
OUTPUT 12V+ TO PUMP VALVE LR  
OUTPUT 12V+ TO PUMP VALVE RF  
OUTPUT 12V+ TO PUMP VALVE LF  
OUTPUT 12V+ TO PUMP EXTEND

PIN	GAGE	COLOR
B	16	BLACK
A	12	RED

PIN	GAGE	COLOR
B	12	BLACK
A	12	RED

HARNESS 6572C

GROUND FROM CHASSIS  
12V+ YELLOW (20A FUSE)

EQUALIZER SYSTEMS  
MAIN 12V POWER  
INPUT. FROM PUMP  
MOTOR SOLENOID  
AND CHASSIS  
BATTERIES.

GROUND INPUT  
FROM CHASSIS  
CONNECTED TO STUD  
ON SIDE OF PUMP

NOTES:

THE 12V POWER SOURCE MUST NOT DROP BELOW 10.5 VOLTS MEASURED AT THE YELLOW FUSE WIRE ON THE PUMP OR THE PUMP VALVE COIL BEING ENERGIZED WITH THE METER GROUND ON THE PUMP CASE GROUND.

THE PARK BRAKE INPUT TO THE LEVEL CONTROLLER ARE GROUND INPUTS. IT IS PULLED HIGH TO 12V INTERNALLY THROUGH A RESISTOR. IT IS LOOKING FOR AN ACTIVE LOW INPUT SIGNAL. WHEN THE PARK BRAKE IS ON, IT'S SENDING A GROUND TO THE PARK BRAKE INPUT OF THE LEVEL CONTROLLER.

*Equalizer*

55169 COUNTY ROAD 3  
ELKHART, IN 46515

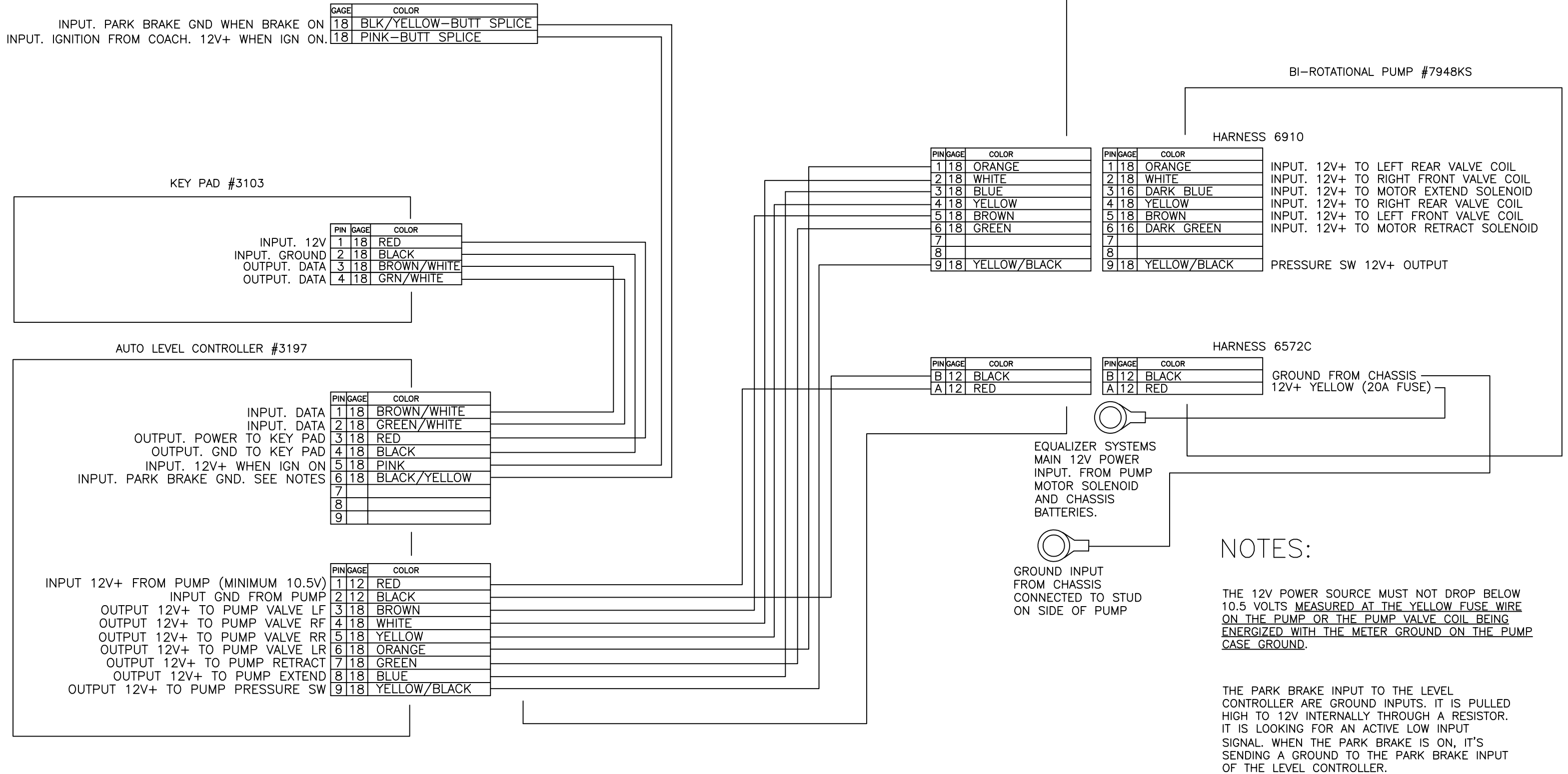
#	REVISIONS	BY:	DATE:

UNLESS OTHERWISE SPECIFIED:  
TOLERANCES:  
.XXX ± 0.010  
.XX ± 0.010  
.X ± 0.030  
ANG. ± 1/2"  
REMOVE ALL BURRS AND SHARP EDGES .015 MAX

TITLE			USED ON:		
AUTO LEVEL SCHEMATIC			JAYCO/ENTEGR		
SIZE	SCALE	MATERIAL			
A	1:1				
DRW BY:	DATE:	PART NAME:			
SJ	3/2/15	AUTO LEVEL WIRING SCHEMATIC			
APP'D BY	DATE:	PAGE:	DWG NO.:	REV:	
		1 OF 1	P8630C		

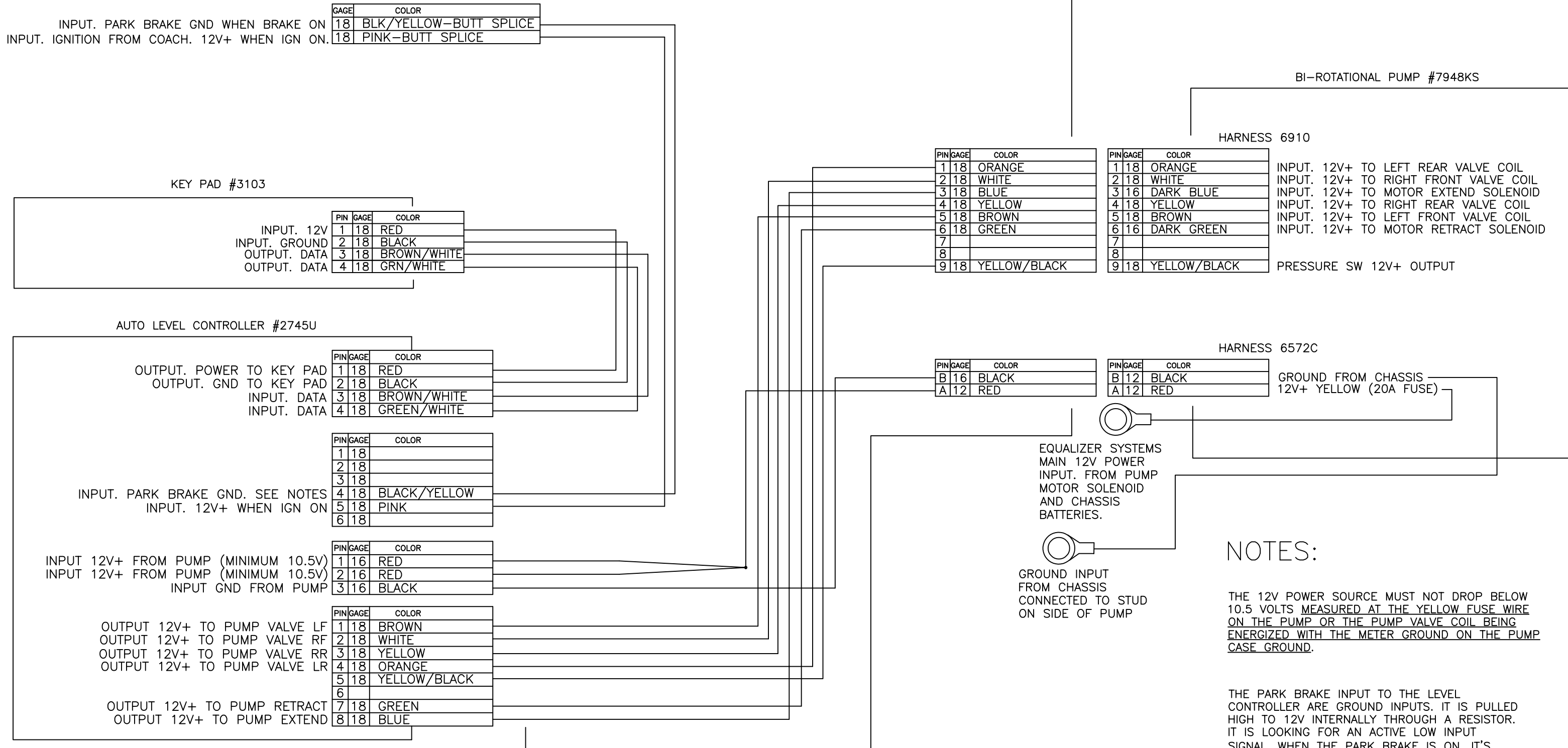
NOTICE - This drawing, including principles of design, is the property of Days Corporation, Elkhart, Indiana, with the agreement that it is not to be reproduced, copied, or loaned in any manner that may constitute a detriment directly or indirectly to Days Corporation. Acceptance of this will be construed as an agreement of the above.

KEYPAD TO CONTROLLER HARNESS #6951  
PUMP TO CONTROLLER HARNESS #6955



<i>Equalizer</i>	55169 COUNTY ROAD 3 ELKHART, IN 46515	#	REVISIONS	BY:	DATE:	UNLESS OTHERWISE SPECIFIED: TOLERANCES: .XXX ± 0.010 .XX ± 0.010 .X ± 0.030 ANG. ± 1/2"	TITLE		USED ON:		
		A	Pump changed from 7948 to 7948KS	SJ	12-9-16		AUTO LEVEL SCHEMATIC		JAYCO REDHAWK & GREYHAWK		
NOTICE - This drawing, including principles of design, is the property of Days Corporation, Elkhart, Indiana, with the agreement that it is not to be reproduced, copied, or loaned in any manner that may constitute a detriment directly or indirectly to Days Corporation. Acceptance of this will be construed as an agreement of the above.							SIZE	SCALE	MATERIAL		
						A	1: 1				
							DRW BY:	DATE:	PART NAME:		
							SJ	12/9/14	AUTO LEVEL WIRING SCHEMATIC		
							APP'D BY	DATE:	PAGE:	DWG NO.:	REV:
							-	-	1 OF 1	P8735	A

KEYPAD TO CONTROLLER HARNESS #6975U  
PUMP TO CONTROLLER HARNESS #6955U



EQUALIZER SYSTEMS  
MAIN 12V POWER  
INPUT. FROM PUMP  
MOTOR SOLENOID  
AND CHASSIS  
BATTERIES.

GROUND INPUT  
FROM CHASSIS  
CONNECTED TO STUD  
ON SIDE OF PUMP

**NOTES:**

THE 12V POWER SOURCE MUST NOT DROP BELOW 10.5 VOLTS MEASURED AT THE YELLOW FUSE WIRE ON THE PUMP OR THE PUMP VALVE COIL BEING ENERGIZED WITH THE METER GROUND ON THE PUMP CASE GROUND.

THE PARK BRAKE INPUT TO THE LEVEL CONTROLLER ARE GROUND INPUTS. IT IS PULLED HIGH TO 12V INTERNALLY THROUGH A RESISTOR. IT IS LOOKING FOR AN ACTIVE LOW INPUT SIGNAL. WHEN THE PARK BRAKE IS ON, IT'S SENDING A GROUND TO THE PARK BRAKE INPUT OF THE LEVEL CONTROLLER.

<b>Equalizer</b>	55169 COUNTY ROAD 3 ELKHART, IN 46515	#	REVISIONS	BY:	DATE:	UNLESS OTHERWISE SPECIFIED: TOLERANCES: .XXX ± 0.010 .XX ± 0.010 .X ± 0.030 ANG. ± 1/2"	TITLE	USED ON:
		A	Pump changed from 7960 to 7960KS.	SJ	12-20-16		AUTO LEVEL SCHEMATIC	JAYCO SENECA
		B	Pump changed from 7960KS to 7948KS.	SJ	5-30-17		SIZE SCALE MATERIAL	
							A 1: 1	
							DRW BY: SJ	DATE: 12/10/14
							DATE: 12/10/14	PART NAME: AUTO LEVEL WIRING SCHEMATIC
							APP'D BY: -	DATE: -
							PAGE: 1 OF 1	DWG NO.: P8736
								REV: B

NOTICE - This drawing, including principles of design, is the property of Days Corporation, Elkhart, Indiana, with the agreement that it is not to be reproduced, copied, or loaned in any manner that may constitute a detriment directly or indirectly to Days Corporation. Acceptance of this will be construed as an agreement of the above.

REMOVE ALL BURRS AND SHARP EDGES .015 MAX

PUMP TO CONTROL PANEL HARNESS #6133-20

INPUT. PARK BRAKE GND WHEN BRAKE ON  
 INPUT. IGNITION FROM COACH. 12V+ WHEN IGN ON.

GAGE	COLOR
18	BLK/YELLOW-BLUNT WIRE
18	PINK-BLUNT WIRE

BI-ROTATIONAL PUMP #7948KS

HARNESS 6910

PIN	GAGE	COLOR
1	18	ORANGE
2	18	WHITE
3	18	BLUE
4	18	YELLOW
5	18	BROWN
6	18	GREEN
7		
8		
9	18	YELLOW/BLACK

PIN	GAGE	COLOR
1	18	ORANGE
2	18	WHITE
3	16	DARK BLUE
4	18	YELLOW
5	18	BROWN
6	16	DARK GREEN
7		
8		
9	18	YELLOW/BLACK

INPUT. 12V+ TO LEFT REAR VALVE COIL  
 INPUT. 12V+ TO RIGHT FRONT VALVE COIL  
 INPUT. 12V+ TO MOTOR EXTEND SOLENOID  
 INPUT. 12V+ TO RIGHT REAR VALVE COIL  
 INPUT. 12V+ TO LEFT FRONT VALVE COIL  
 INPUT. 12V+ TO MOTOR RETRACT SOLENOID

PRESSURE SW 12V+ OUTPUT

SMART LEVEL CONTROL PANEL #3197SBT

INPUT 12V+ FROM PUMP (MINIMUM 10.5V)  
 INPUT 12V+ FROM PUMP (MINIMUM 10.5V)  
 INPUT GND FROM PUMP

PIN	GAGE	COLOR
1	16	RED
2	16	RED
3	16	BLACK

INPUT. PARK BRAKE GND. SEE NOTES  
 INPUT. 12V+ WHEN IGN ON

PIN	GAGE	COLOR
1		
2	18	BLACK/YELLOW
3	18	PINK
4	18	YELLOW/BLACK
5		
6	18	GREEN
7		
8	18	YELLOW
9	18	ORANGE
10	18	WHITE
11	18	BROWN
12	18	BLUE

OUTPUT 12V+ TO PUMP RETRACT  
 OUTPUT 12V+ TO PUMP VALVE RR  
 OUTPUT 12V+ TO PUMP VALVE LR  
 OUTPUT 12V+ TO PUMP VALVE RF  
 OUTPUT 12V+ TO PUMP VALVE LF  
 OUTPUT 12V+ TO PUMP EXTEND

PIN	GAGE	COLOR
B	16	BLACK
A	12	RED

PIN	GAGE	COLOR
B	12	BLACK
A	12	RED

HARNESS 6572C

GROUND FROM CHASSIS  
 12V+ YELLOW (20A FUSE)

EQUALIZER SYSTEMS  
 MAIN 12V POWER  
 INPUT. FROM PUMP  
 MOTOR SOLENOID  
 AND CHASSIS  
 BATTERIES.

GROUND INPUT  
 FROM CHASSIS  
 CONNECTED TO STUD  
 ON SIDE OF PUMP

NOTES:

THE 12V POWER SOURCE MUST NOT DROP BELOW 10.5 VOLTS MEASURED AT THE YELLOW FUSE WIRE ON THE PUMP OR THE PUMP VALVE COIL BEING ENERGIZED WITH THE METER GROUND ON THE PUMP CASE GROUND.

THE PARK BRAKE INPUT TO THE LEVEL CONTROLLER ARE GROUND INPUTS. IT IS PULLED HIGH TO 12V INTERNALLY THROUGH A RESISTOR. IT IS LOOKING FOR AN ACTIVE LOW INPUT SIGNAL. WHEN THE PARK BRAKE IS ON, IT'S SENDING A GROUND TO THE PARK BRAKE INPUT OF THE LEVEL CONTROLLER.

*Equalizer*

55169 COUNTY ROAD 3  
 ELKHART, IN 46515

NOTICE - This drawing, including principles of design, is the property of Days Corporation, Elkhart, Indiana, with the agreement that it is not to be reproduced, copied, or loaned in any manner that may constitute a detriment directly or indirectly to Days Corporation. Acceptance of this will be construed as an agreement of the above.

#	REVISIONS	BY:	DATE:
A	Pump changed from 7960 to 7960KS.	SJ	12-20-16
B	Pump changed from 7960KS to 7948KS.	SJ	5-30-17
C	Changed to Smart Level.	SJ	5-10-18

UNLESS OTHERWISE SPECIFIED:  
 TOLERANCES:  
 .XXX ± 0.010  
 .XX ± 0.010  
 .X ± 0.030  
 ANG. ± 1/2"  
 REMOVE ALL BURRS AND SHARP EDGES .015 MAX

TITLE			USED ON:		
AUTO LEVEL SCHEMATIC			JAYCO SENECA		
SIZE	SCALE	MATERIAL			
A	1:1				
DRW BY:	DATE:	PART NAME:			
SJ	12/10/14	AUTO LEVEL WIRING SCHEMATIC			
APP'D BY:	DATE:	PAGE:	DWG NO.:	REV:	
-	-	1 OF 1	P8736	C	

KEYPAD TO CONTROLLER HARNESS #6800U  
 PUMP TO CONTROLLER HARNESS #6799U

USED ON:  
 EMBARK, REATTA, INSIGNIA, & ASPIRE

CHASSIS INTERFACE CONNECTIONS

INPUT. IGNITION FROM COACH. 12V+ WHEN IGN ON.

PIN	GAGE	COLOR
1	18	PINK
2	-	EMPTY
3	18	BLACK/YELLOW
4	-	EMPTY

INPUT. PARK BRAKE GND WHEN BRAKE ON

GREY=12V+ FOR TWO MINUTES TO DEFLATE AIR  
 SUSPENSION INITIATED BY THE AUTO LEVEL  
 COMMAND  
 PURPLE=12V+ TO INFLATE AIR SUSPENSION  
 INITIATED BY ALL RETRACT COMMAND

PIN	GAGE	COLOR
1	18	GREY
2	18	PURPLE

KEY PAD #3103

INPUT. 12V  
 INPUT. GROUND  
 OUTPUT. DATA  
 OUTPUT. DATA

PIN	GAGE	COLOR
1	18	RED
2	18	BLACK
3	18	BROWN/WHITE
4	18	GRN/WHITE

AUTO LEVEL CONTROLLER #2745U

OUTPUT. POWER TO KEY PAD  
 OUTPUT. GND TO KEY PAD  
 INPUT. DATA  
 INPUT. DATA

PIN	GAGE	COLOR
1	18	RED
2	18	BLACK
3	18	BROWN/WHITE
4	18	GREEN/WHITE

OUTPUT 12V+ (SUSPENSION DEFLATE)  
 OUTPUT 12V+ (SUSPENSION INFLATE)

PIN	GAGE	COLOR
1	18	GREY
2	18	PURPLE
3	18	
4	18	BLACK/YELLOW
5	18	PINK
6	18	

INPUT. PARK BRAKE GND. SEE NOTES  
 INPUT. 12V+ WHEN IGN ON

INPUT 12V+ FROM PUMP (MINIMUM 10.5V)  
 INPUT 12V+ FROM PUMP (MINIMUM 10.5V)  
 INPUT GND FROM PUMP

PIN	GAGE	COLOR
1	16	RED
2	16	RED
3	16	BLACK

OUTPUT 12V+ TO PUMP VALVE LF  
 OUTPUT 12V+ TO PUMP VALVE RF  
 OUTPUT 12V+ TO PUMP VALVE RR  
 OUTPUT 12V+ TO PUMP VALVE LR

PIN	GAGE	COLOR
1	18	BROWN
2	18	WHITE
3	18	YELLOW
4	18	ORANGE
5	18	YELLOW/BLACK
6		
7	18	GREEN
8	18	BLUE

OUTPUT 12V+ TO PUMP RETRACT  
 OUTPUT 12V+ TO PUMP EXTEND

BI-ROTATIONAL PUMP #7953/7953KS

HARNESS 6910

PIN	GAGE	COLOR
1	18	ORANGE
2	18	WHITE
3	18	BLUE
4	18	YELLOW
5	18	BROWN
6	18	GREEN
7		
8		
9	18	YELLOW/BLACK

PIN	GAGE	COLOR
1	18	ORANGE
2	18	WHITE
3	16	DARK BLUE
4	18	YELLOW
5	18	BROWN
6	16	DARK GREEN
7		
8		
9	18	YELLOW/BLACK

INPUT. 12V+ TO LEFT REAR VALVE COIL  
 INPUT. 12V+ TO RIGHT FRONT VALVE COIL  
 INPUT. 12V+ TO MOTOR EXTEND SOLENOID  
 INPUT. 12V+ TO RIGHT REAR VALVE COIL  
 INPUT. 12V+ TO LEFT FRONT VALVE COIL  
 INPUT. 12V+ TO MOTOR RETRACT SOLENOID

PRESSURE SW 12V+ OUTPUT

PIN	GAGE	COLOR
B	16	BLACK
A	12	RED

PIN	GAGE	COLOR
B	12	BLACK
A	12	RED

HARNESS 6572C

GROUND FROM CHASSIS  
 12V+ YELLOW (20A FUSE)

EQUALIZER SYSTEMS  
 MAIN 12V POWER  
 INPUT. FROM PUMP  
 MOTOR SOLENOID  
 AND CHASSIS  
 BATTERIES.

GROUND INPUT  
 FROM CHASSIS  
 CONNECTED TO STUD  
 ON SIDE OF PUMP

NOTES:

THE 12V POWER SOURCE MUST NOT DROP BELOW 10.5 VOLTS MEASURED AT THE YELLOW FUSE WIRE ON THE PUMP OR THE PUMP VALVE COIL BEING ENERGIZED WITH THE METER GROUND ON THE PUMP CASE GROUND.

THE PARK BRAKE INPUT TO THE LEVEL CONTROLLER ARE GROUND INPUTS. IT IS PULLED HIGH TO 12V INTERNALLY THROUGH A RESISTOR. IT IS LOOKING FOR AN ACTIVE LOW INPUT SIGNAL. WHEN THE PARK BRAKE IS ON, IT'S SENDING A GROUND TO THE PARK BRAKE INPUT OF THE LEVEL CONTROLLER.

*Equalizer*

55169 COUNTY ROAD 3  
 ELKHART, IN 46515

#	REVISIONS	BY:	DATE:
A	CHANGED IGN INPUT & PB GRND PLUG FROM 2 WAY TO 4 WAY	SJ	1/4/17

UNLESS OTHERWISE SPECIFIED:  
 TOLERANCES:  
 .XXX ± 0.010  
 .XX ± 0.010  
 .X ± 0.030  
 ANG. ± 1/2"  
 REMOVE ALL BURRS AND SHARP EDGES .015 MAX

TITLE			USED ON:		
AUTO LEVEL SCHEMATIC			JAYCO/ENTEGR		
SIZE	SCALE	MATERIAL			
A	1:1				
DRW BY:	DATE:	PART NAME:			
SJ	3/2/15	AUTO LEVEL WIRING SCHEMATIC			
APP'D BY:	DATE:	PAGE:	DWG NO.:	REV:	
-	-	1 OF 1	P8739	A	

NOTICE - This drawing, including principles of design, is the property of Days Corporation, Elkhart, Indiana, with the agreement that it is not to be reproduced, copied, or loaned in any manner that may constitute a detriment directly or indirectly to Days Corporation. Acceptance of this will be construed as an agreement of the above.